



# Three-Channel Automotive LED Buck Driver

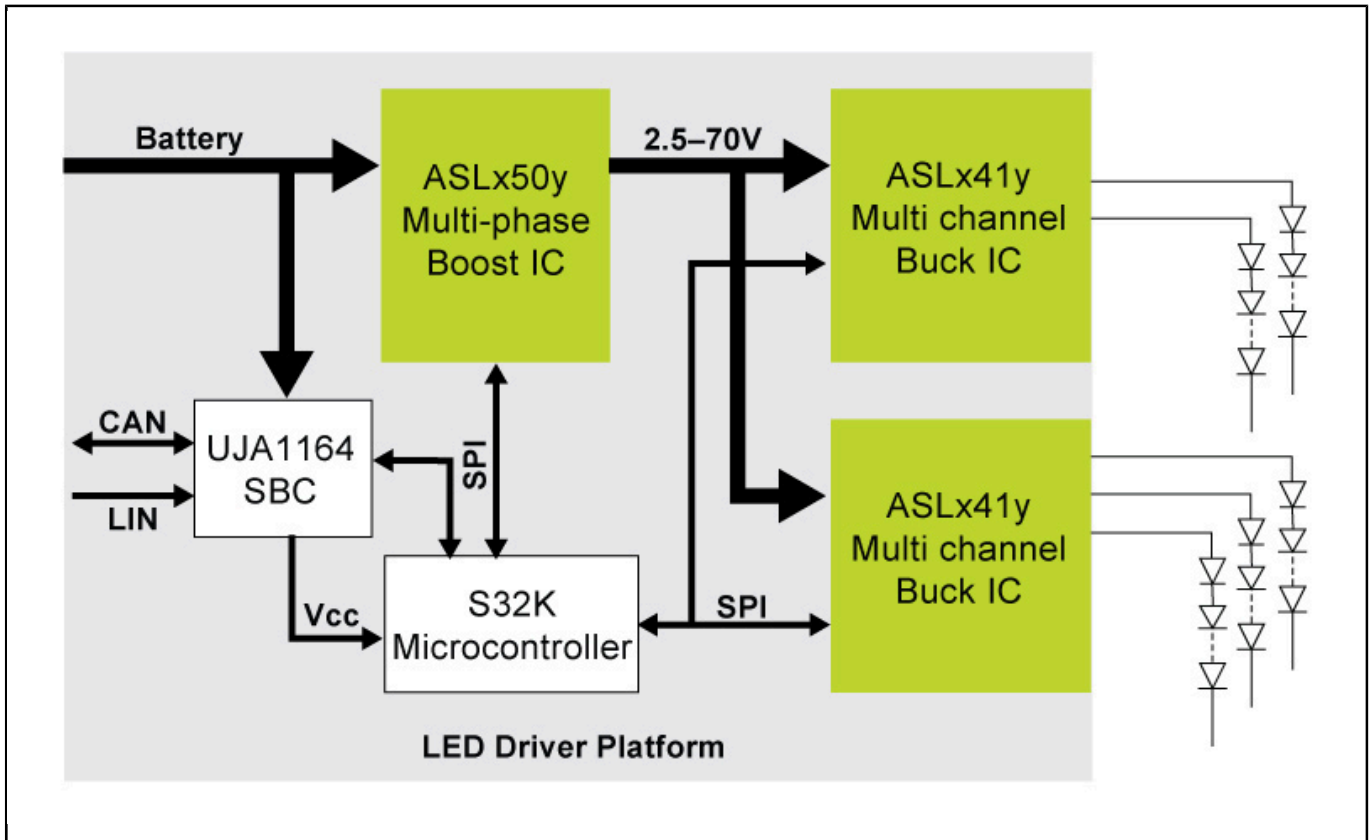
## ASL341ySHN

Last Updated: Jul 20, 2023

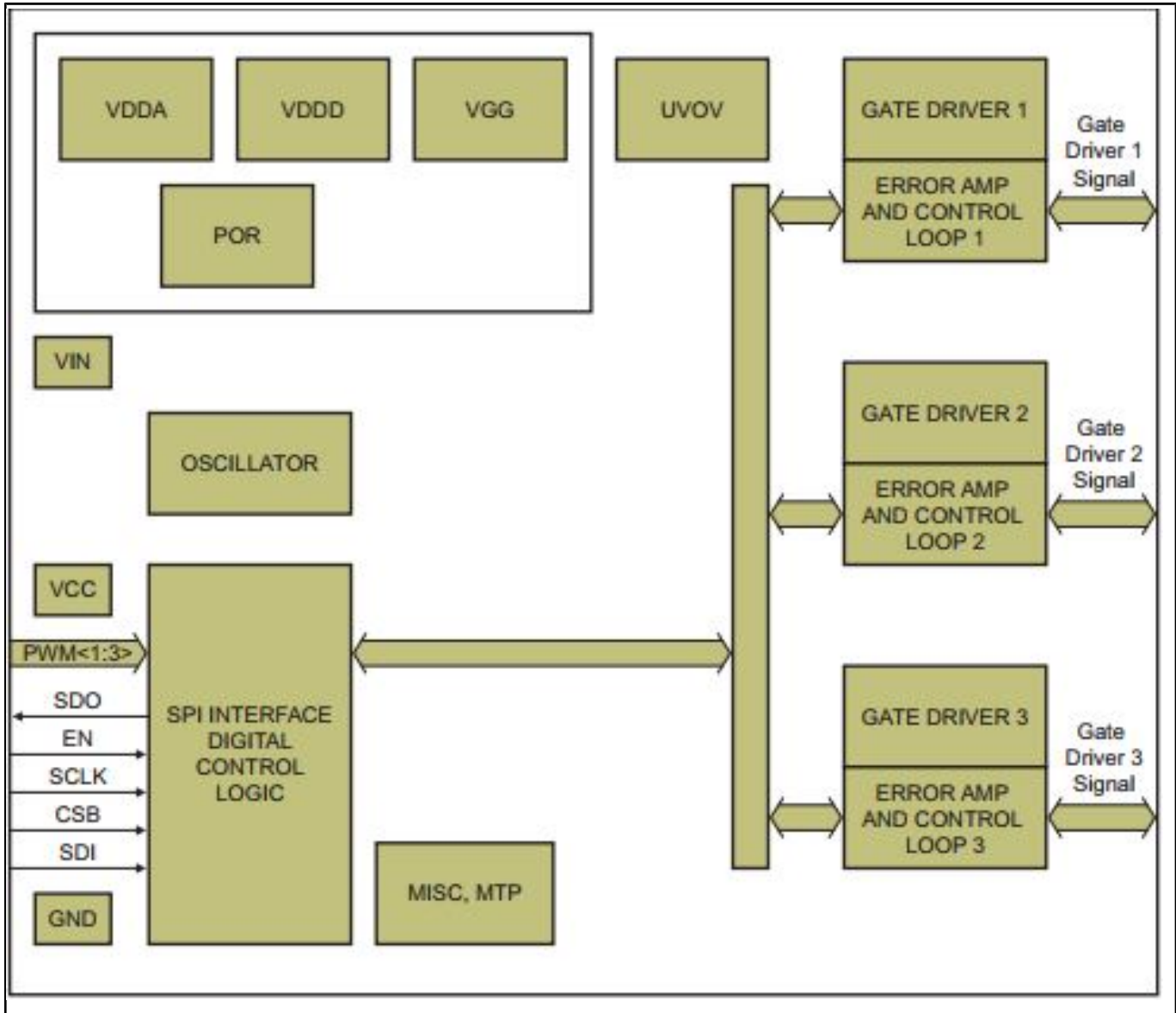
The ASL3416SHN is a three-channel buck mode LED driver IC delivering constant average DC current to LEDs independent of the input voltage. It supports up to three output channels. It means that with one driver IC, 1, 2 or 3 LED strings can be driven independently of each other. It provides a cost-effective design solution, specifically targeting automotive exterior lighting applications. Read more in the [\\$AUTOHREFLINK\[1510842085282728708985:C:ASL3416SHN Data sheet\]](#).

The ASL3417SHN is a three-channel buck mode LED driver IC with a Limp Home mode feature. It provides an SPI interface for extensive control and diagnostic communication with an external MCU and integrates a customer programmable Limp Home mode. The driver IC allows configurable operation during the Limp Home mode in case SPI communication with the MCU has failed. Once the loss of SPI communication is detected, the Limp Home mode gets activated. Read more in the [\\$AUTOHREFLINK\[1510842157615704673219:C:ASL3417SHN Data sheet\]](#).

### Led Lighting System Block Diagram Block Diagram



### Three-channel Automotive LED Buck Driver Block Diagram



View additional information for [Three-Channel Automotive LED Buck Driver](#).

Note: The information on this document is subject to change without notice.

[www.nxp.com](http://www.nxp.com)

NXP and the NXP logo are trademarks of NXP B.V. All other product or service names are the property of their respective owners. The related technology may be protected by any or all of patents, copyrights, designs and trade secrets. All rights reserved. © 2024 NXP B.V.