



# USB Type-C High-Performance Crossbar Switch IC

## CBTL08GP053EV

新規採用非推奨

このページでは、新規設計を推奨しない製品に関する情報を掲載しています。

Last Updated: Oct 16, 2023

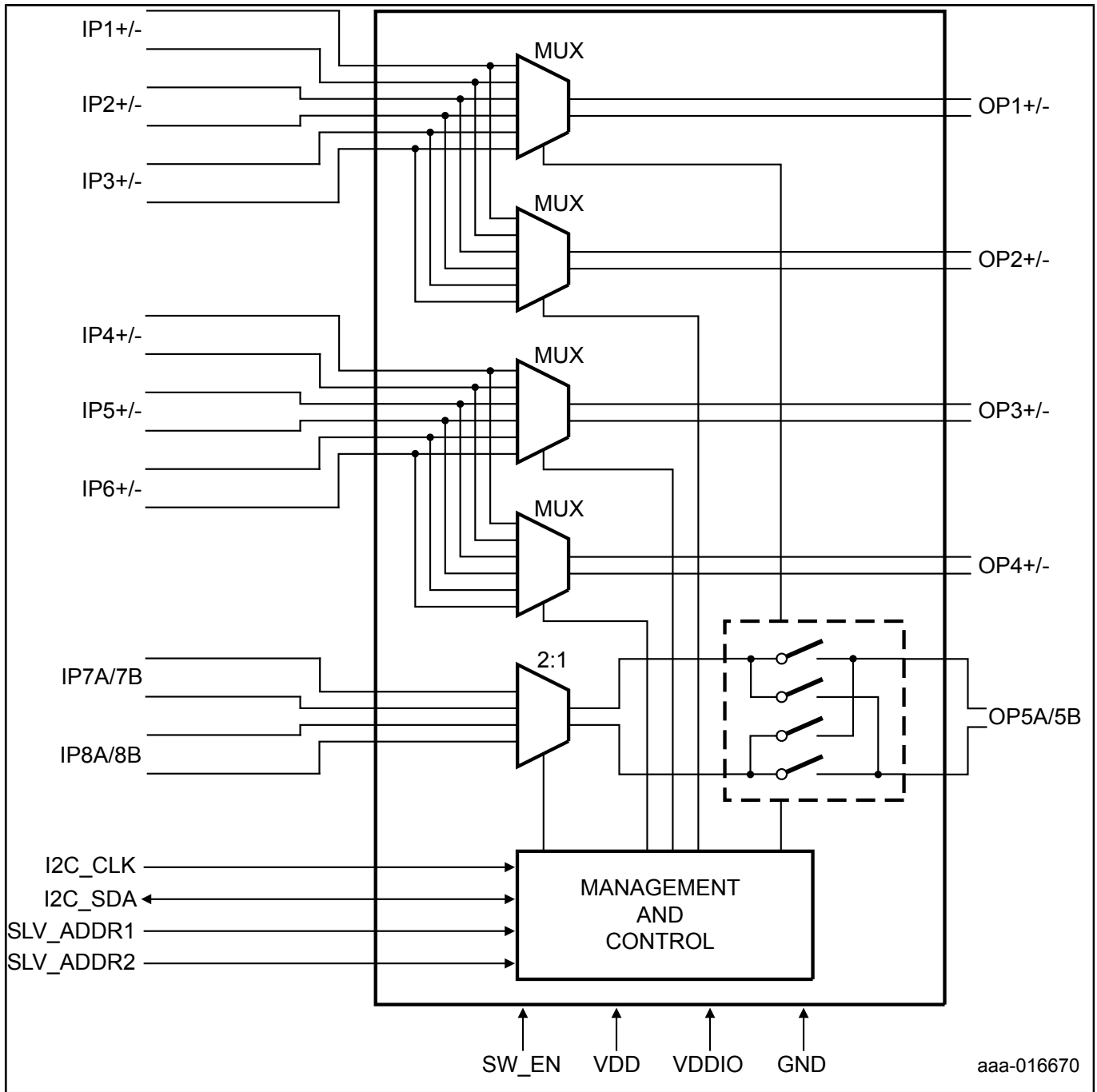
CBTL08GP053 is an USB Type-C High Performance Crossbar Switch IC meant to be used for Type-C connector interface high speed passive switching applications. It provides switching of high speed differential signals that correspond to various interface standards: USB3.1 (10 Gbps), DP1.3 (8.1 Gbps), PCI Express 3.0 (8 Gbps), etc. It supports switching of single ended signals over Type-C interface. In addition, side band switching of AUX and other dedicated signals for transport over SBU1 and SBU2.

It provides the I<sup>2</sup>C-bus interface for switch control, configuration and status update. It operates from a single platform power supply VDD.

This IC is targeted for a wide range of platforms (PCs, Tablets, Convertibles, Smart phones) and PC Accessories (e.g. Docks, Monitors, etc.) applications.

CBTL08GP053 is available in a small footprint package option: VFBGA40 4.75 mm x 3.25 mm, 0.5 mm pitch.

# CBTL08GP053 Block Diagram Block Diagram



View additional information for [USB Type-C High-Performance Crossbar Switch IC](#).

**Note:** The information on this document is subject to change without notice.

**[www.nxp.com](http://www.nxp.com)**

NXP and the NXP logo are trademarks of NXP B.V. All other product or service names are the property of their respective owners. The related technology may be protected by any or all of patents, copyrights, designs and trade secrets. All rights reserved. © 2024 NXP B.V.