



24-bit Symphony® DSP

DSP56371

新規採用非推奨

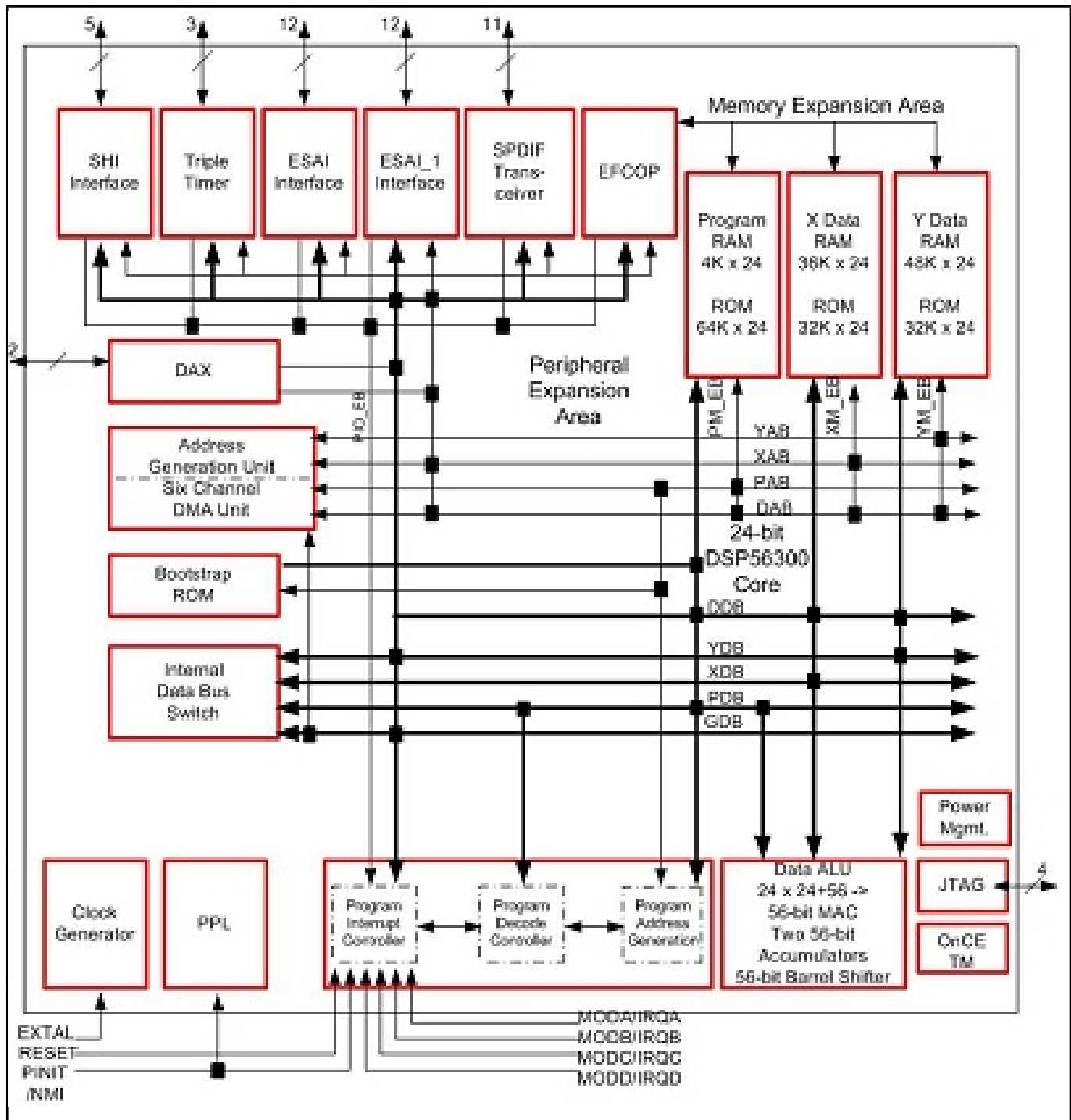
このページでは、新規設計を推奨しない製品に関する情報を掲載しています。

Last Updated: Apr 9, 2022

Targeted at audio/video (AV) receivers, home theaters, surround sound decoders, mini stereo systems, digital TV audio systems and automotive audio systems, the DSP56371 is designed to meet the demands of audio electronics system designers by supporting the latest generation decoders, such as Dolby®, THX® and DTS®, among others.

The DSP56371 is capable of running delay management, bass management and DTS96/24 while using less than half of the DSP's computing capability. This enables designers to add system enhancements that the discerning audio consumer expects. The performance increase is made possible through the use of a higher core frequency, fewer memory wait states, a larger amount of on-chip static random access memory (SRAM) and the addition of an enhanced filter coprocessor (EFCOP). By removing the need for external high-speed SRAM and making smaller, less complex boards, the DSP56371 is performance-rich and cost-effective.

DSP56371 Block Diagram Block Diagram



View additional information for [24-bit Symphony® DSP](#).

Note: The information on this document is subject to change without notice.

www.nxp.com

NXP and the NXP logo are trademarks of NXP B.V. All other product or service names are the property of their respective owners. The related technology may be protected by any or all of patents, copyrights, designs and trade secrets. All rights reserved. © 2024 NXP B.V.