



# F104S8A Four-port Gigabit Ethernet Copper PHY

## F104S8A

Last Updated: Jan 16, 2023

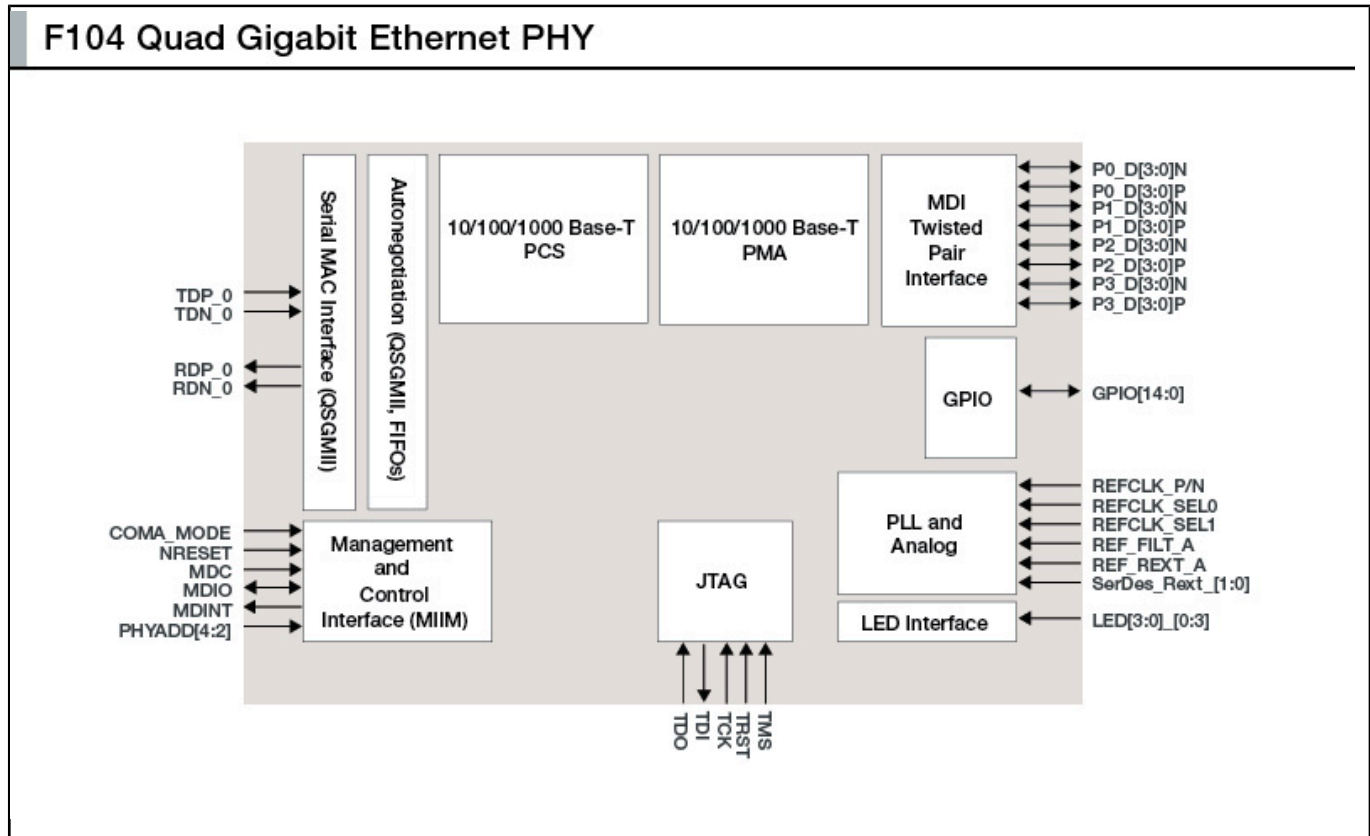
F104S8A features Vitesse's innovative EcoEthernet 2.0 technology that supports Energy Efficient Ethernet (EEE), ActiPHY™ automatic link power down and PerfectReach™, an intelligent algorithm that adjusts power based on cable length. The F104S8A device optimizes power consumption in all link operating speeds. Adjustable LED brightness control further reduces power consumption for end users. The device is compliant to IEEE 802.3 standards for 10BASE-T, 10BASE-Te, 100BASE-TX and 1000BASE-T.

The F104S8A is available as a companion device to the following QorIQ® Communications Processors:

- LS1043A/LS1023A
- LS2085A/LS2045A
- T1024/T1014
- T1040/T1020
- T4240/T4160/T4080

Layerscape processors are part of the NXP's EdgeVerse™ edge computing platform.

# F104S8A BD Block Diagram



View additional information for [F104S8A Four-port Gigabit Ethernet Copper PHY](#).

Note: The information on this document is subject to change without notice.

[www.nxp.com](http://www.nxp.com)

NXP and the NXP logo are trademarks of NXP B.V. All other product or service names are the property of their respective owners. The related technology may be protected by any or all of patents, copyrights, designs and trade secrets. All rights reserved. © 2024 NXP B.V.