



High Voltage PMIC with Multiple SMPS and LDO, Primary Companion Chip for S32Rx

FS5502

Last Updated: Aug 4, 2023

The FS5502 is an automotive, high voltage multi-output power supply integrated circuit. It's focused on radar applications and is the primary companion chip of the S32Rx microcontroller.

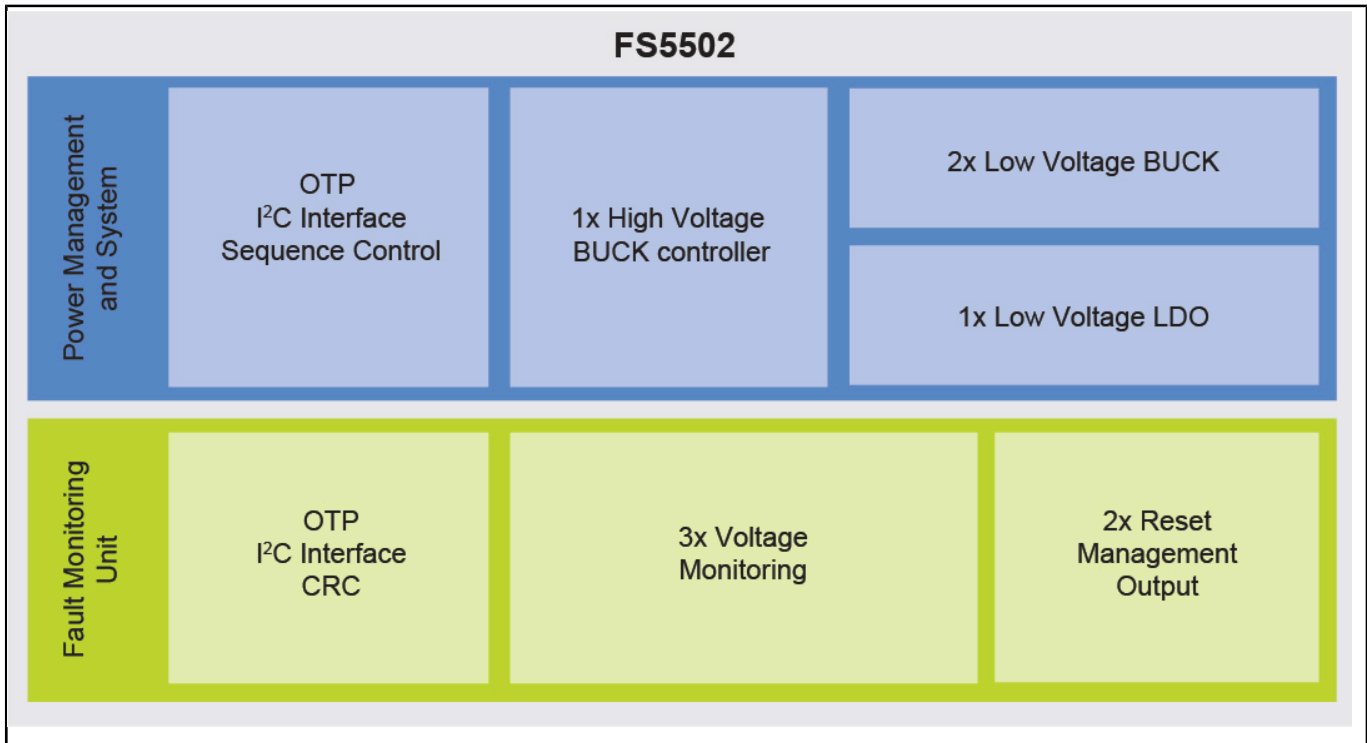
The FS5502 includes multiple switch modes and linear voltage optimized for QM radar application. It offers external frequency synchronization input and output, for optimized system EMC performance.

Several device versions are available via one-time programming, offering choice in output voltage setting, operating frequency and power up sequencing, to address multiple applications.

This PMIC is part of a complete family of devices offering scalability in power and safety, VR5500(QM), FS84 (ASIL B) and FS85 (ASIL D), pin to pin and software compatible.

For additional information and sample availability, contact your local Sales Office or Authorized Distributor.

FS5502, High Voltage PMIC Block Diagram Block Diagram



View additional information for [High Voltage PMIC with Multiple SMPS and LDO, Primary Companion Chip for S32Rx](#).

Note: The information on this document is subject to change without notice.

www.nxp.com

NXP and the NXP logo are trademarks of NXP B.V. All other product or service names are the property of their respective owners. The related technology may be protected by any or all of patents, copyrights, designs and trade secrets. All rights reserved. © 2024 NXP B.V.