



# System Basis Chip with LIN

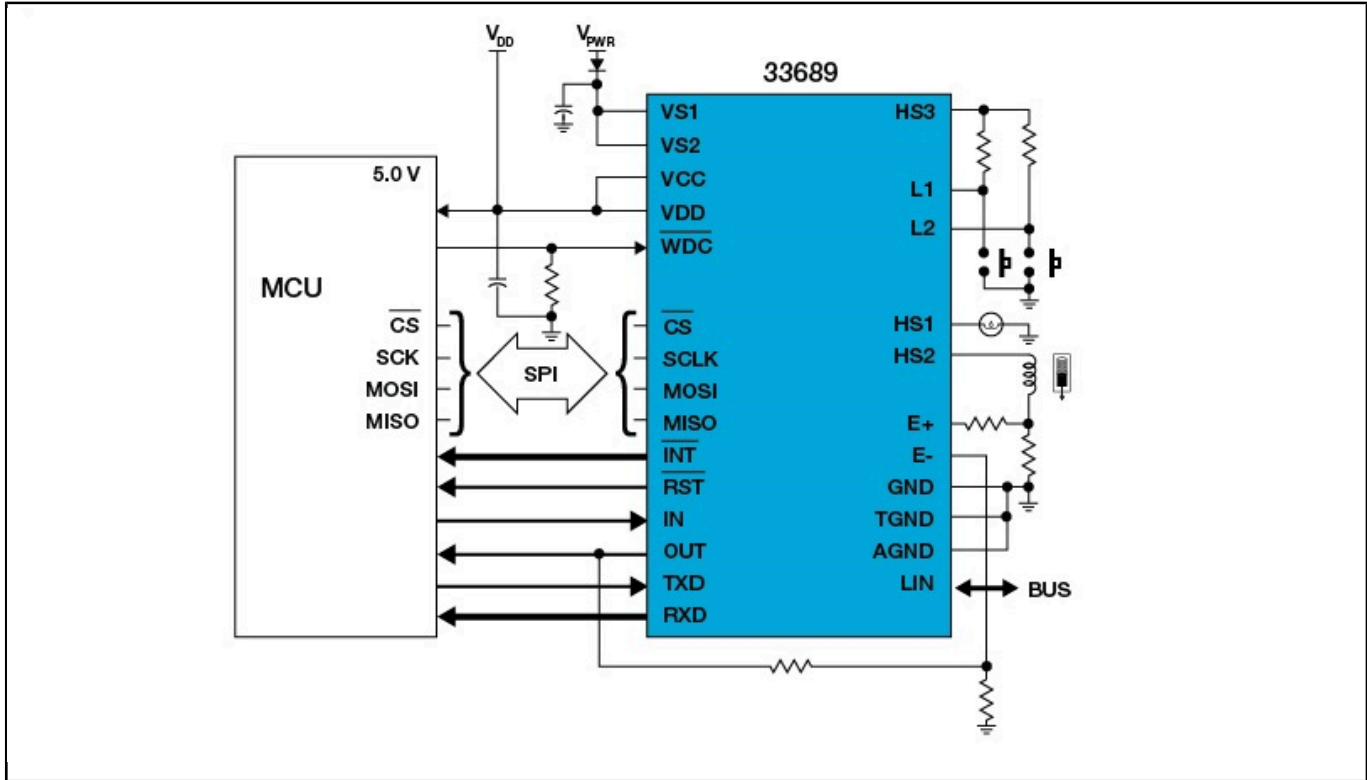
## MC33689

Last Updated: Jul 20, 2023

The NXP® MC33689 is a serial peripheral interface (SPI) controlled system basis chip that combines frequently used functions in an MCU-based system with a LIN transceiver. Applications include power window, mirror, and seat controls.

- 5.0 V, 50 mA low dropout regulator with full protection and reporting features
- Full SPI readable diagnostics and a selectable timing watchdog for detecting errant operation
- Three operational modes: Normal (all functions available), Sleep (VDD OFF, wake-up via LIN bus or wake-up inputs), and Stop (VDD ON, wake-up via MCU, LIN bus, or wake-up inputs)

## MC33689 Simplified Application Block Diagram Block Diagram



View additional information for [System Basis Chip with LIN](#).

**Note:** The information on this document is subject to change without notice.

[www.nxp.com](http://www.nxp.com)

NXP and the NXP logo are trademarks of NXP B.V. All other product or service names are the property of their respective owners. The related technology may be protected by any or all of patents, copyrights, designs and trade secrets. All rights reserved. © 2024 NXP B.V.