



# SBC with Enhanced High-Speed CAN Transceiver

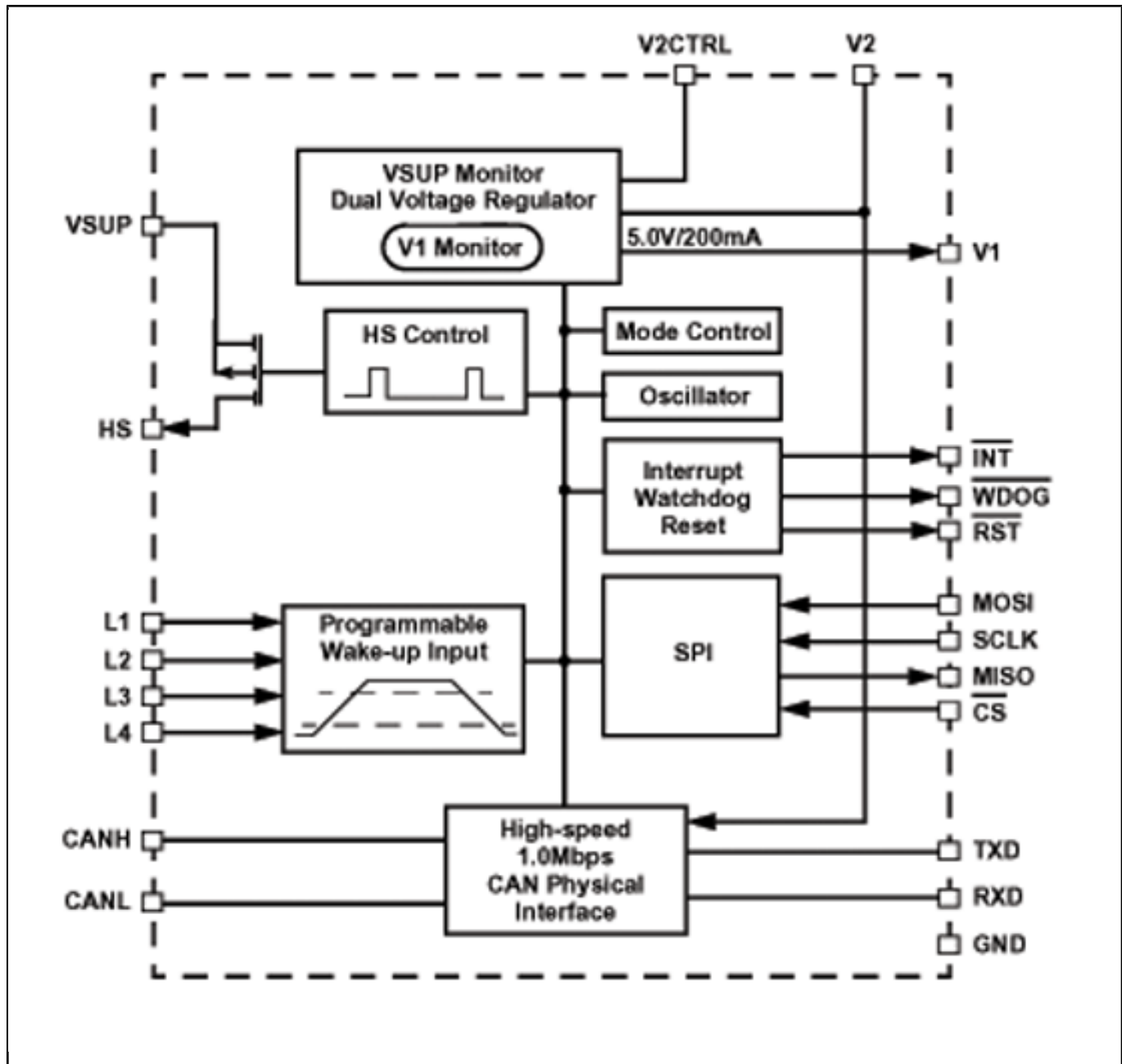
## MC33742

Last Updated: Aug 4, 2023

The NXP® MC33742 is a monolithic integrated circuit combining many functions frequently used by automotive environmental control units (ECUs).

- Fully protected fixed 5.0 V low-drop regulator with current limit, overtemperature pre-warning, and reset
- Output drive with sense input is also provided to implement a second 5.0 V regulator using an external PNP bipolar junction transistor
- Normal, standby, stop, and sleep modes, an internally switched high-side power supply output with four wake-up inputs, programmable window watchdog, interrupt, reset, SPI input control, and a high-speed CAN transceiver compatible with CAN 2.0 A and B protocols for module-to-module communication

## MC33742 SBC with Enhanced High-Speed CAN Transceiver Block Diagram



View additional information for [SBC with Enhanced High-Speed CAN Transceiver](#).

Note: The information on this document is subject to change without notice.

[www.nxp.com](http://www.nxp.com)

NXP and the NXP logo are trademarks of NXP B.V. All other product or service names are the property of their respective owners. The related technology may be protected by any or all of patents, copyrights, designs and trade secrets. All rights reserved. © 2024 NXP B.V.