



# System Basis Chip Gen2 with High Speed CAN

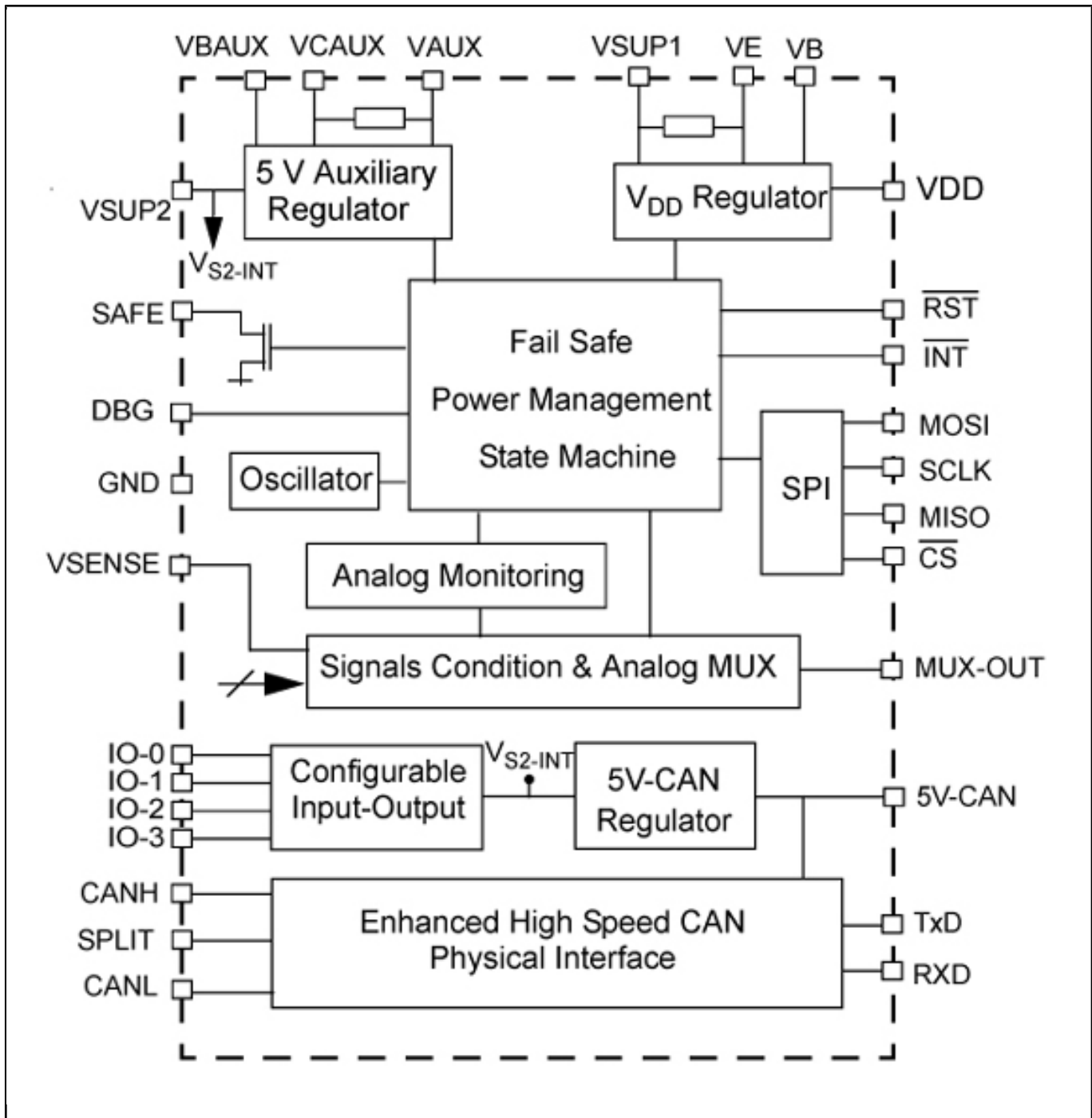
## MC33904

Last Updated: Jan 19, 2024

The NXP® MC33904 is a device in the second generation family of system basis chips, combining several features and enhanced module designs.

- Works as an advanced power management unit for the MCU and additional integrated circuits such as sensors and CAN transceivers
- Built-in enhanced high-speed CAN interface (ISO11898-2 and -5), with local and bus failure diagnostics, protection and fail-safe operation mode
- The SBC may include zero, one or two LIN 2.1 interfaces with LIN output pin switches and includes 2 or 3 wake-up input pins than can also be configured as output drivers for flexibility

# MC33904 Battery Management Block Diagram Block Diagram



View additional information for [System Basis Chip Gen2 with High Speed CAN](#).

Note: The information on this document is subject to change without notice.

**[www.nxp.com](http://www.nxp.com)**

NXP and the NXP logo are trademarks of NXP B.V. All other product or service names are the property of their respective owners. The related technology may be protected by any or all of patents, copyrights, designs and trade secrets. All rights reserved. © 2024 NXP B.V.