



# H-Bridge Motor Driver, 5-28 V, 5 A, 11 kHz

## MC33932

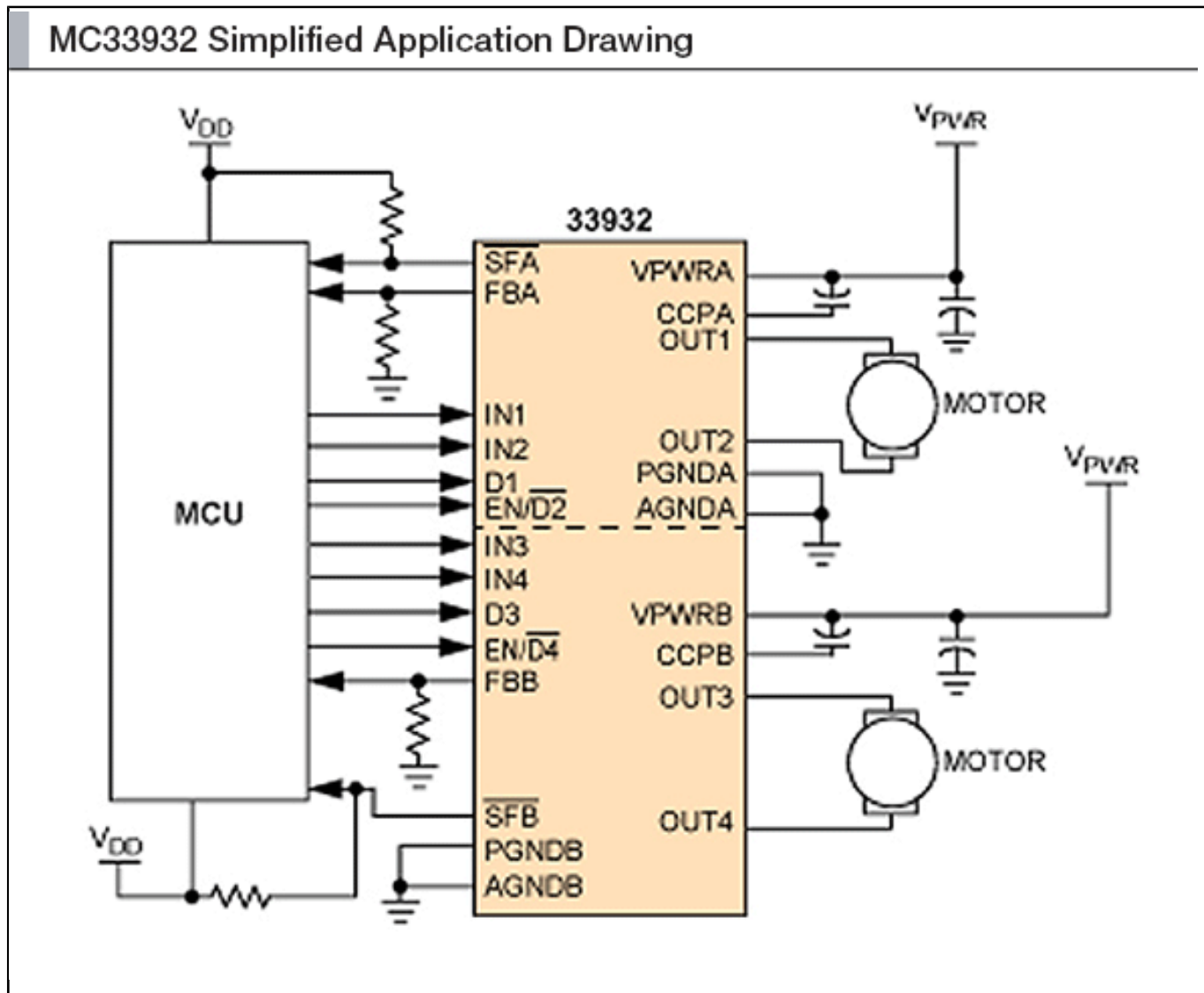
Last Updated: Jul 20, 2023

The NXP® MC33932 has two independent monolithic H-Bridge power ICs in a robust thermally enhanced package.

- Designed primarily for automotive electronic throttle control, but are applicable to any low-voltage DC servo motor control application within the current and voltage limits stated in this specification
- Each H-bridge in the MC33932 is able to control inductive loads with currents up to 5.0 A peak
- RMS current capability is subject to the degree of heatsinking provided to the device package
- Internal peak-current limiting (regulation) is activated at load currents above  $6.5 \text{ A} \pm 1.5 \text{ A}$ .
- Output loads can be pulse width modulated at frequencies up to 11 kHz
- Processor Expert® component for medium voltage H-Bridge products enables rapid embedded application development.

[View internal diagram](#)

## MC33932 Simplified Application Drawing Block Diagram



View additional information for [H-Bridge Motor Driver, 5-28 V, 5 A, 11 kHz](#).

Note: The information on this document is subject to change without notice.

[www.nxp.com](http://www.nxp.com)

NXP and the NXP logo are trademarks of NXP B.V. All other product or service names are the property of their respective owners. The related technology may be protected by any or all of patents, copyrights, designs and trade secrets. All rights reserved. © 2024 NXP B.V.