



Safe SBC with Buck and Boost DC/DC Up to 800 mA on Vcore

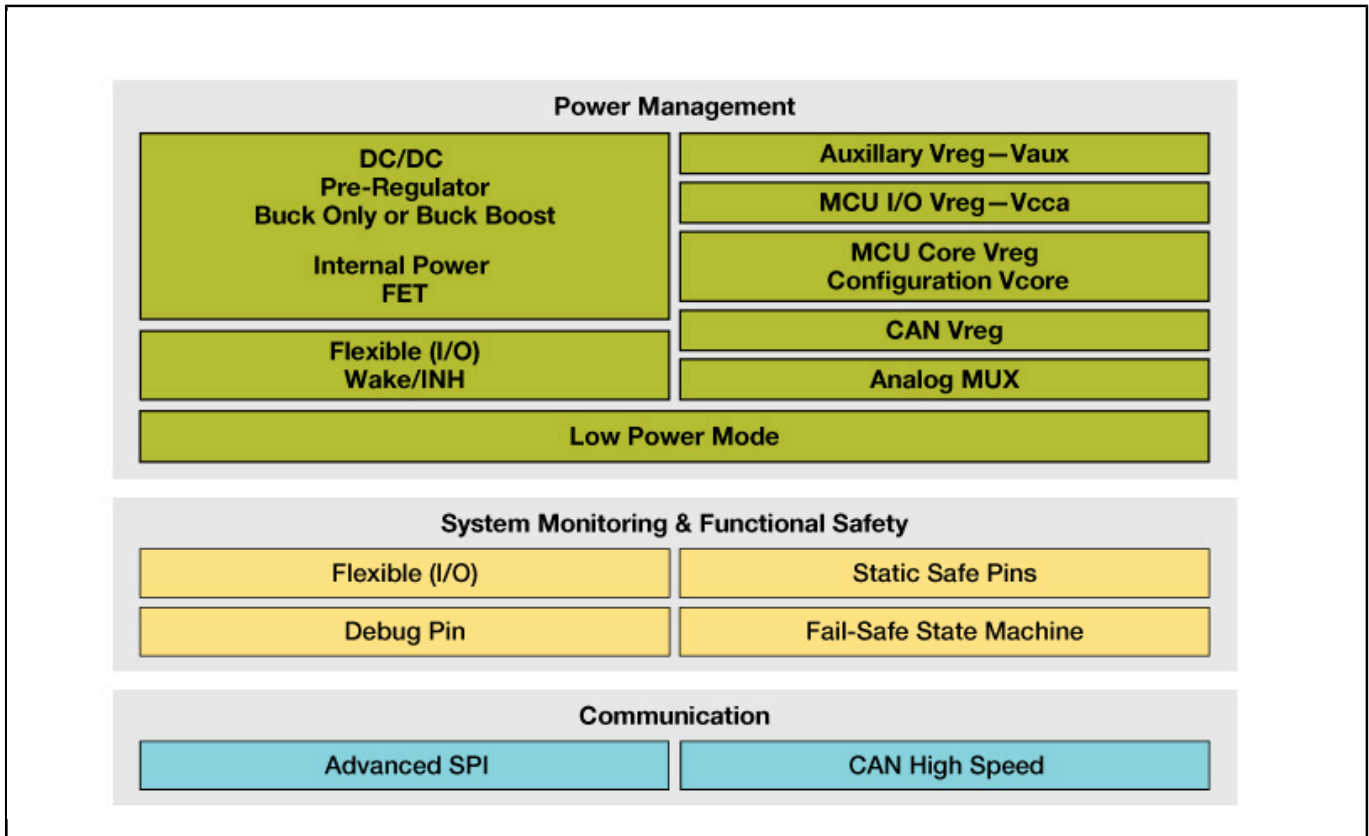
MC34FS6407

Last Updated: Jan 19, 2024

The MC34FS6407 system basis chip (SBC), an NXP® Energy-Efficient solution, provides power to MCUs and offer system loads and optimize energy consumption through DC/DC switching regulators, linear regulators and ultra-low-power saving modes.

- Advanced functional safety measures.
- IEC 61508 functional safety metrics available upon demand.
- Serial peripheral interface (SPI) to allow control and diagnostics with the MCU.
- Integrates CAN physical interface compliant with the ISO11898-2 and -5 standards along with the latest automotive OEM standards for EMC and ESD.

MC34FS6407/8 Product Block Diagram Block Diagram



View additional information for [Safe SBC with Buck and Boost DC/DC Up to 800 mA on Vcore](#).

Note: The information on this document is subject to change without notice.

www.nxp.com

NXP and the NXP logo are trademarks of NXP B.V. All other product or service names are the property of their respective owners. The related technology may be protected by any or all of patents, copyrights, designs and trade secrets. All rights reserved. © 2024 NXP B.V.