



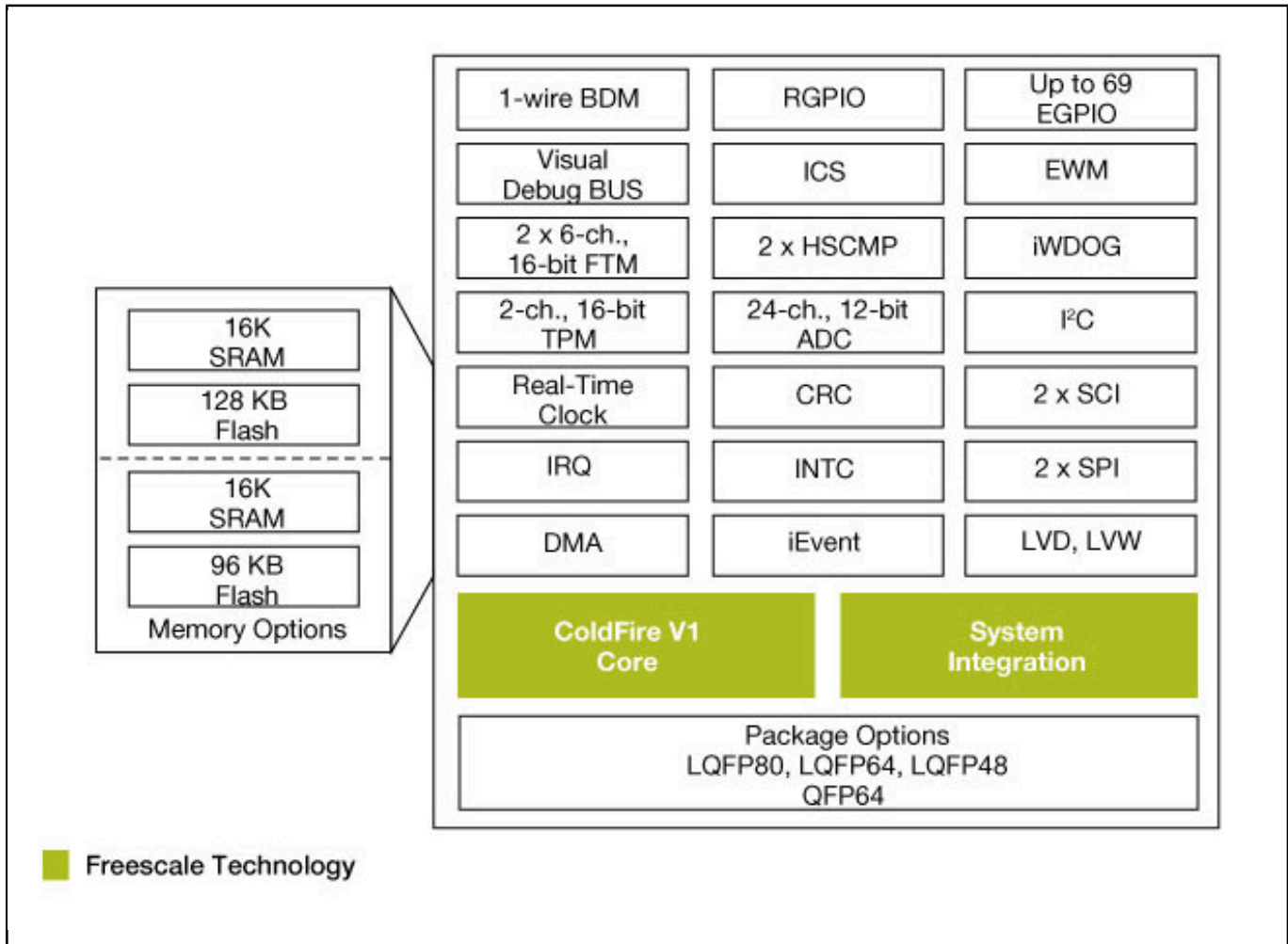
# 32-Bit ColdFire V1 Microcontrollers

## MCF51AG

Last Updated: May 9, 2024

The MCF51AG family expands Our 32-bit ColdFire® microcontroller portfolio by offering products with direct memory access (DMA) and iEvent modules to handle data transaction and interrupt management, off-loading CPU overhead and increasing overall performance. The device family targets smart appliance and industrial applications with a peripheral set aligned to the needs of its advanced three-phase motor control to improve the overall energy efficiency of the application. Also included is functionality for system safety and integrity, such as an advanced independently clocked COP, external watchdog monitor and a cyclic redundancy check (CRC) engine providing failure protection and memory content validation for applications covered by IEC regulations.

## ColdFire MCF51AG Microcontroller Block Diagram Block Diagram



View additional information for [32-Bit ColdFire V1 Microcontrollers](#).

**Note:** The information on this document is subject to change without notice.

**www.nxp.com**

NXP and the NXP logo are trademarks of NXP B.V. All other product or service names are the property of their respective owners. The related technology may be protected by any or all of patents, copyrights, designs and trade secrets. All rights reserved. © 2024 NXP B.V.