



Ultra-Reliable MPC5668G MCU for Automotive and Industrial Gateway Applications

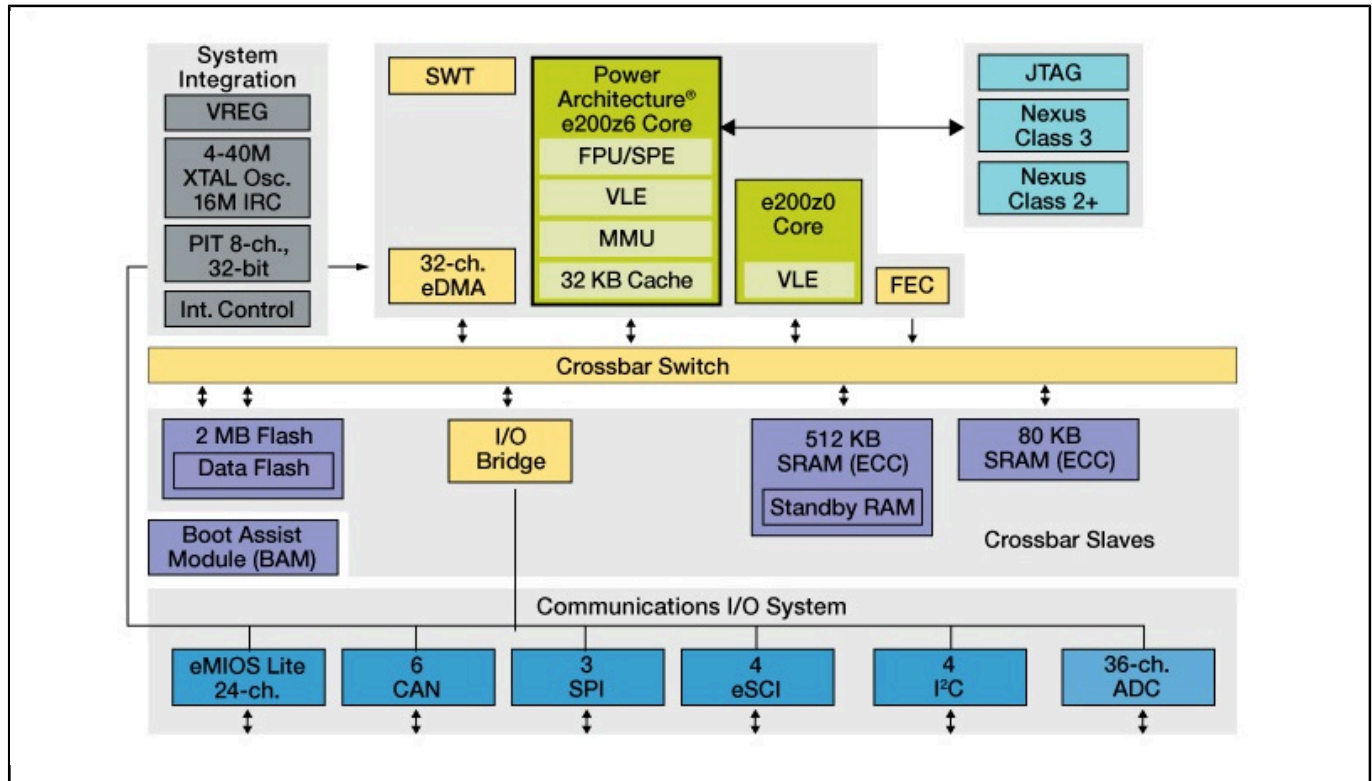
MPC5668G

Last Updated: May 31, 2023

The NXP® MPC5668G MCU for automotive gateway applications connects all the possible communication protocols you can find in a car at one single point.

- Delivers the performance throughput needed to maintain real-time operation
- Single-chip SoC solution offers a low cost and high EMC performance
- Supports all automotive communication protocols currently available
- Backed by a strong third-party ecosystem of tools and software to support development

MPC5668G Block Diagram Block Diagram



View additional information for [Ultra-Reliable MPC5668G MCU for Automotive and Industrial Gateway Applications](#).

Note: The information on this document is subject to change without notice.

www.nxp.com

NXP and the NXP logo are trademarks of NXP B.V. All other product or service names are the property of their respective owners. The related technology may be protected by any or all of patents, copyrights, designs and trade secrets. All rights reserved. © 2024 NXP B.V.