



# 15 Watt Wireless Charging Transmitter ICs for Automotive Applications

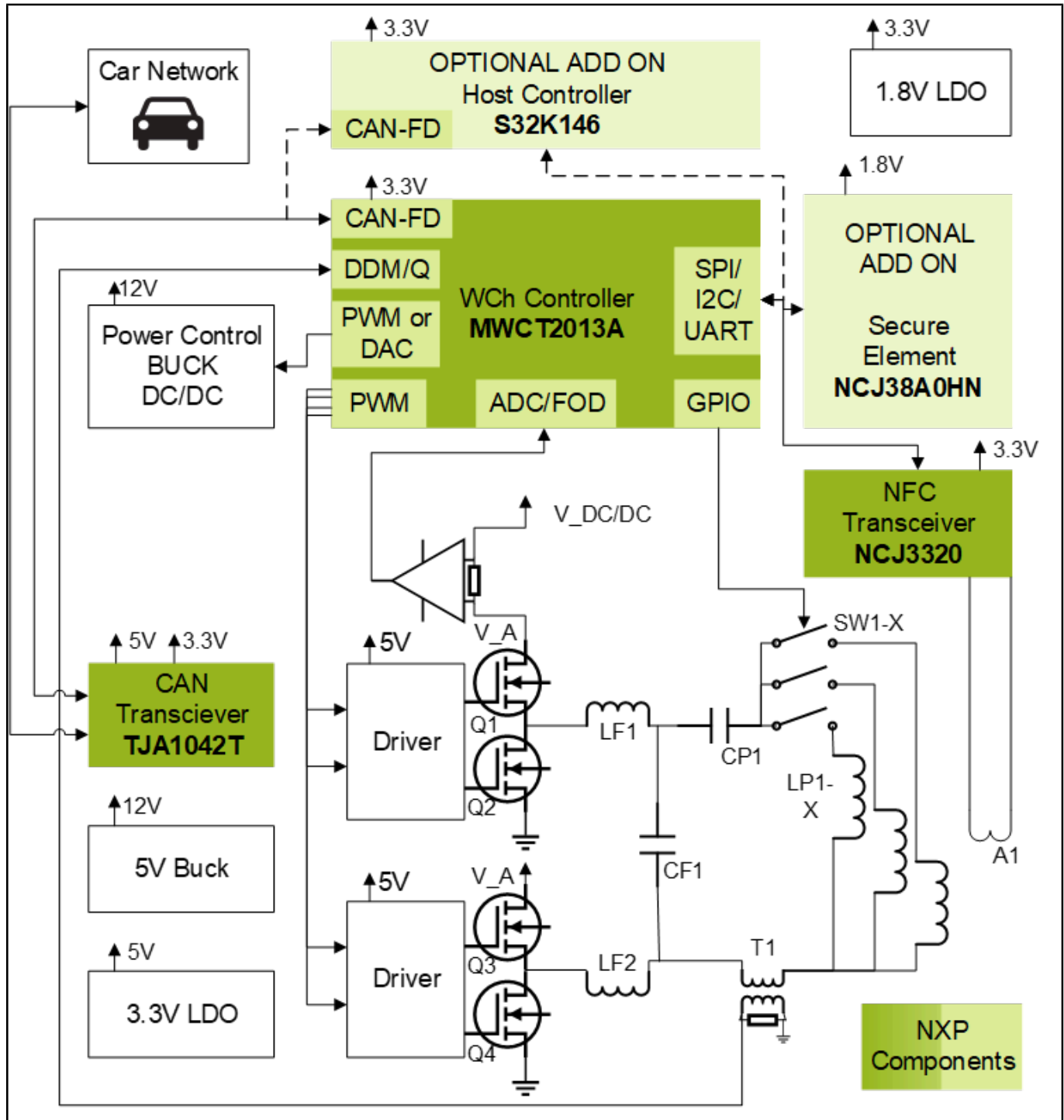
## MWCT2xx3A

Last Updated: Apr 11, 2024

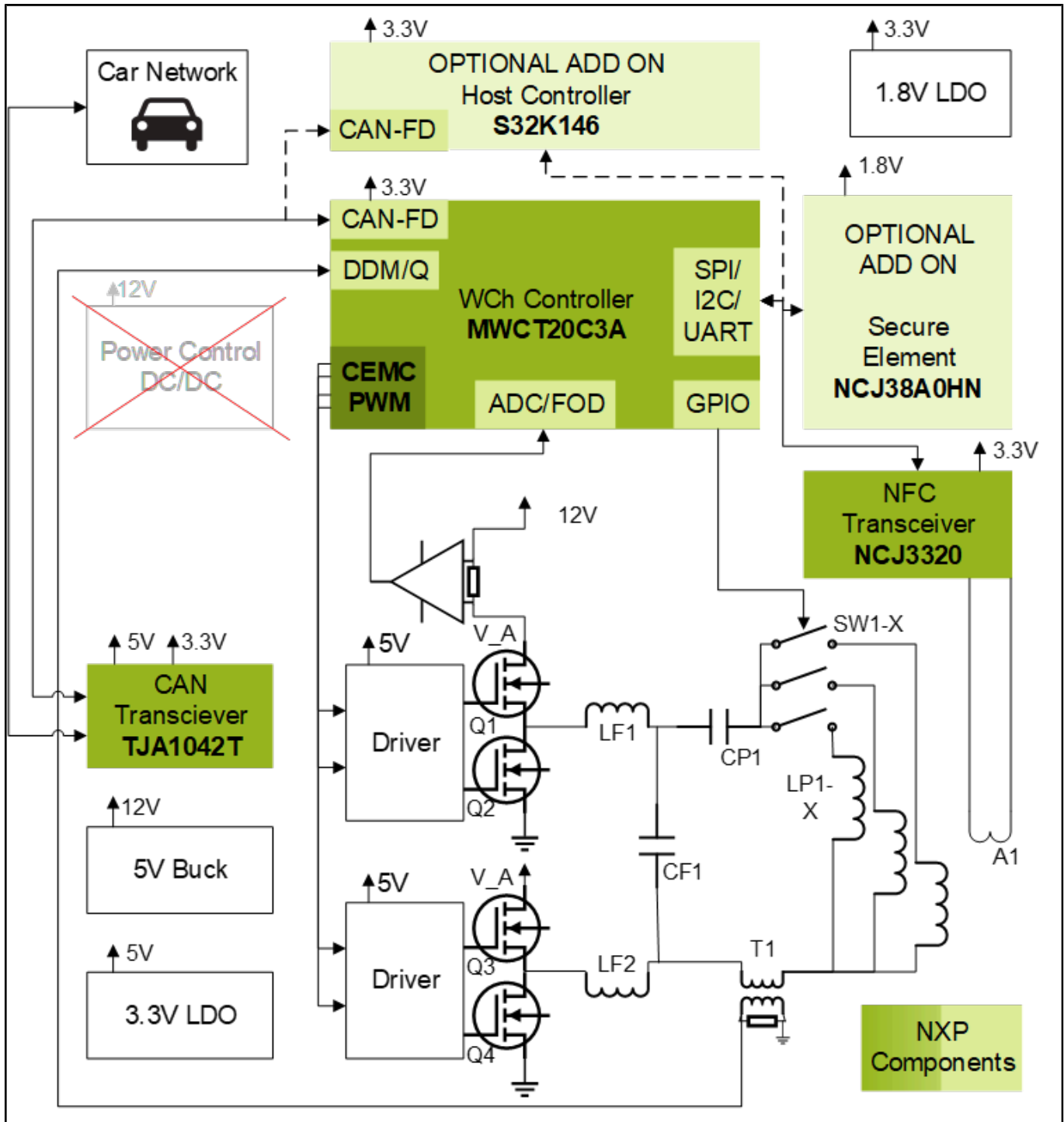
2nd generation of NXP wireless charging transmitter analog performance ICs with updated peripherals and optimized power consumption. The series of MWCT22C3A/MWCT20C3A/MWCT2013A provide complete controller functionality to implement a wireless charging transmitter in an automotive environment.

- Latest WPC Qi v1.2.4 certifiable and for future spec releases with all new features
- To maximize the design freedom and product differentiation, this family supports extended power profile in automotive power transmitter designs using the fixed operation frequency control methods such as CEMC control, rail voltage control, phase shift control, or duty cycle control
- This family supports up to 2 digital demodulation modules to reduce the external components, up to 2 FSK modulation modules to support two-way communication and Qi state machine for two phones simultaneously

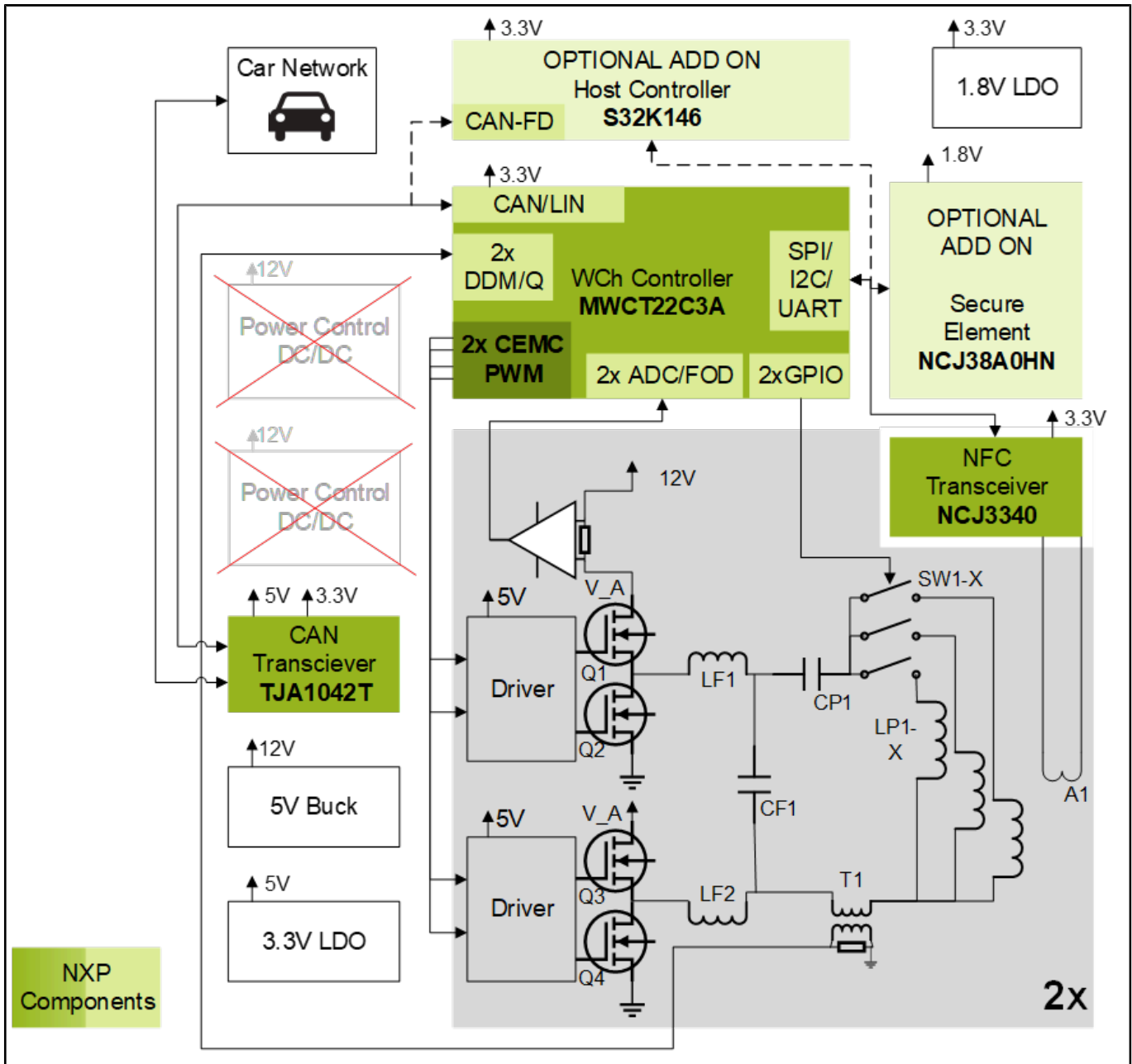
**WCT-15WAUTO13 Block Diagram Block Diagram**



**WCT-15WAUTOC Block Diagram Block Diagram**



**WCT-15W AUTOMD Block Diagram Block Diagram**



View additional information for [15 Watt Wireless Charging Transmitter ICs for Automotive Applications](#).

Note: The information on this document is subject to change without notice.

[www.nxp.com](http://www.nxp.com)

NXP and the NXP logo are trademarks of NXP B.V. All other product or service names are the property of their respective owners. The related technology may be protected by any or all of patents, copyrights, designs and trade secrets. All rights reserved. © 2024 NXP B.V.