



Dual-Supply Translating Transceiver (Auto-Direction Sensing, Three- State)

NTB0101

新規採用非推奨

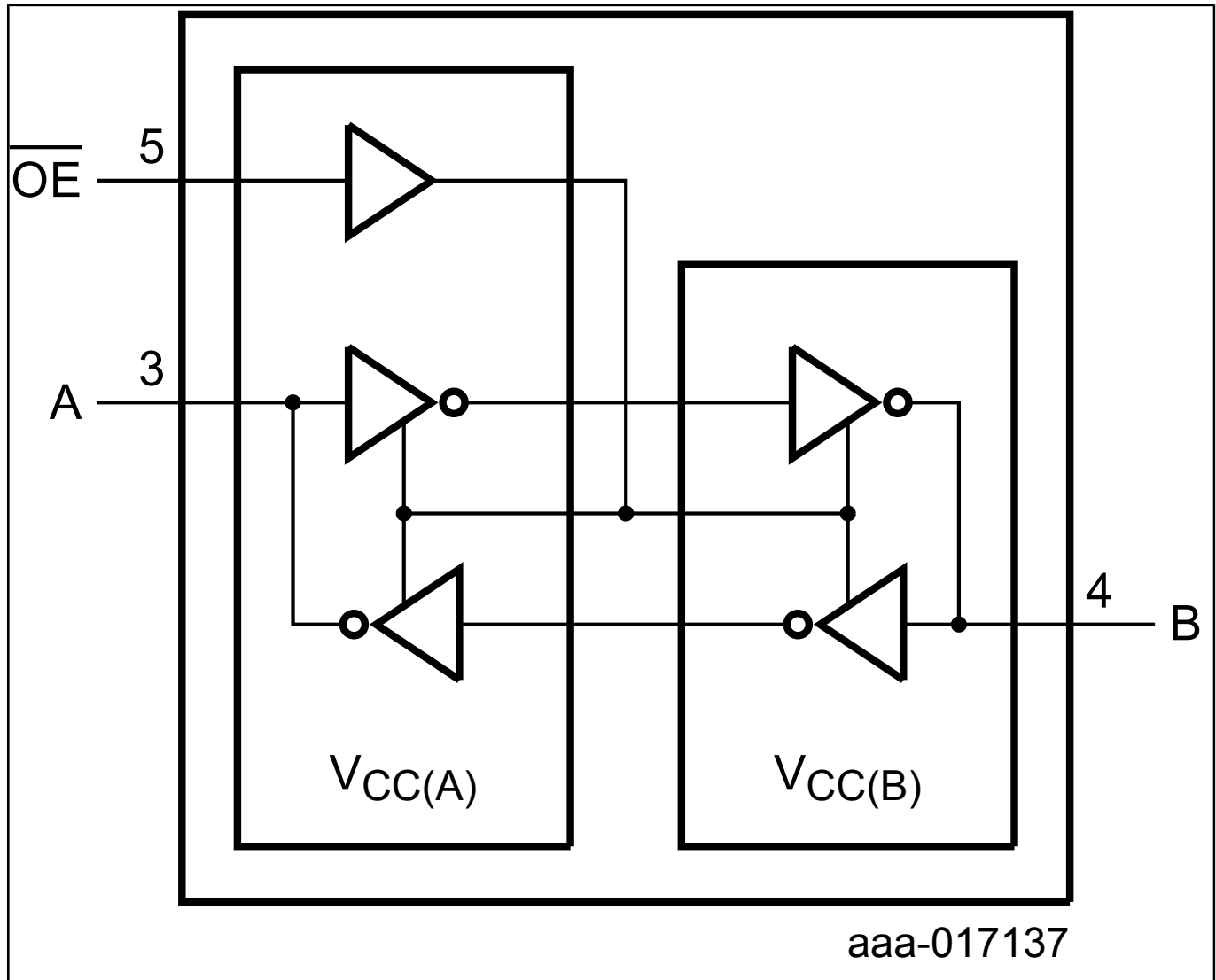
このページでは、新規設計を推奨しない製品に関する情報を掲載しています。

Last Updated: Mar 19, 2024

The NTB0101 is a 1-bit, dual supply translating transceiver with auto direction sensing that enables bidirectional voltage level translation. It features two 1-bit input-output ports (A and B), one output enables input (OE) and two supply pins (VCC(A) and VCC(B)). VCC(A) can be supplied at any voltage between 1.2 V and 3.6 V and VCC(B) can be supplied with any voltage between 1.65 V and 5.5 V. This flexibility allows translation between any of the low voltage nodes (1.2 V, 1.5 V, 1.8 V, 2.5 V, 3.3 V and 5.0 V).

Pins A and OE are referenced to VCC(A) and pin B is referenced to VCC(B). A LOW level at pin OE causes the outputs to assume a high-impedance OFF-state. This device is fully specified for partial power-down applications using IOFF. The IOFF circuitry disables the output, preventing the damaging backflow current through the device when it is powered down.

NTB0101A Block Diagram



View additional information for [Dual-Supply Transceiver \(Auto-Direction Sensing, Three-State\)](#).

Note: The information on this document is subject to change without notice.

www.nxp.com

NXP and the NXP logo are trademarks of NXP B.V. All other product or service names are the property of their respective owners. The related technology may be protected by any or all of patents, copyrights, designs and trade secrets. All rights reserved. © 2024 NXP B.V.