



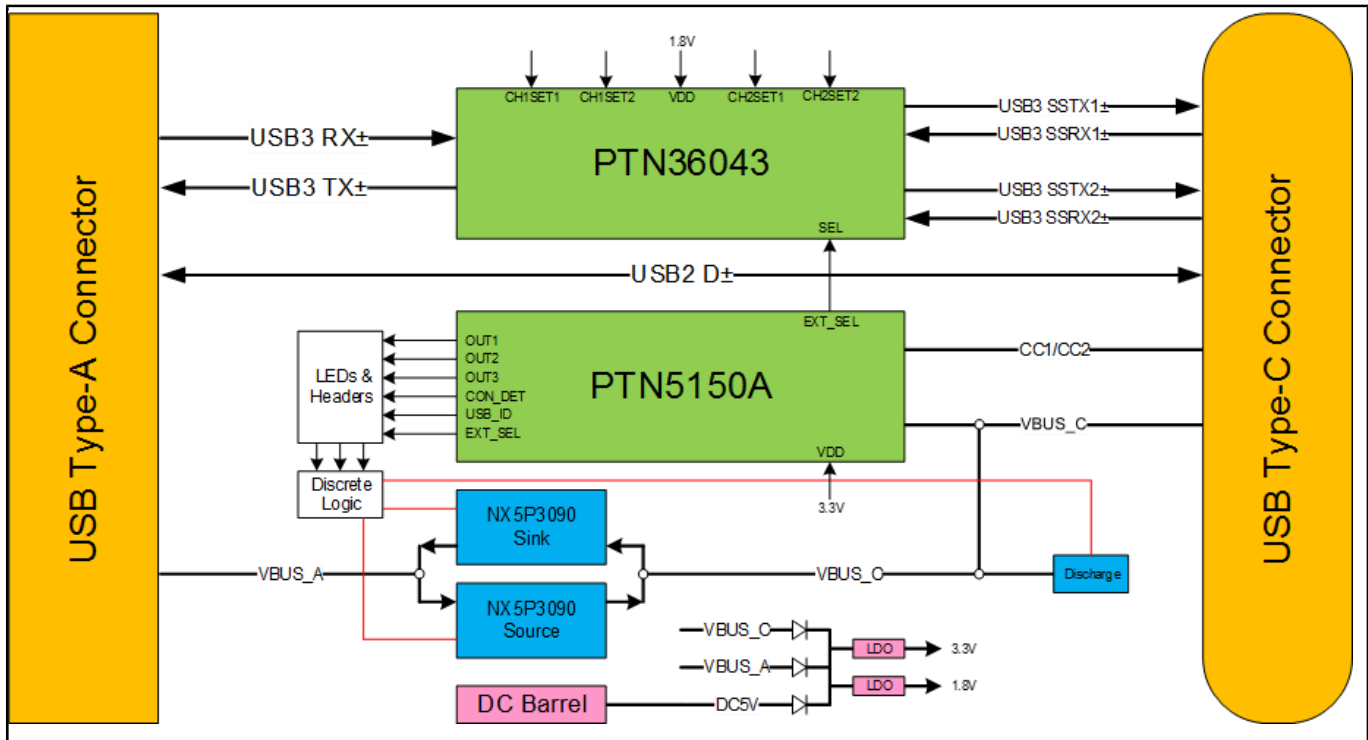
# PTN5150A-PTN36043 USB Type-C CC Logic Evaluation Kit

**OM13584**

Last Updated: Mar 14, 2024

The PTN5150A-PTN36043 evaluation board can demonstrate the USB Type-C CC control logic behavior for both DFP and UFP cases. It can be controlled through either on-board strapping options, or I<sup>2</sup>C interface using tools such as Aardvark I<sup>2</sup>C tool. Depending on the device connected on the Type-C receptacle, the on-board status LEDs can indicate current connection type. There is also an USB3 SuperSpeed redriver PTN34043 that is designed for Type-C application to extend the driver strength of the USB3 5Gbps signal.

## OM13584 Block Diagram



View additional information for [PTN5150A-PTN36043 USB Type-C CC Logic Evaluation Kit](#).

Note: The information on this document is subject to change without notice.

[www.nxp.com](http://www.nxp.com)

NXP and the NXP logo are trademarks of NXP B.V. All other product or service names are the property of their respective owners. The related technology may be protected by any or all of patents, copyrights, designs and trade secrets. All rights reserved. © 2024 NXP B.V.