



LCD Drivers

PCF21XXC_FAMILY

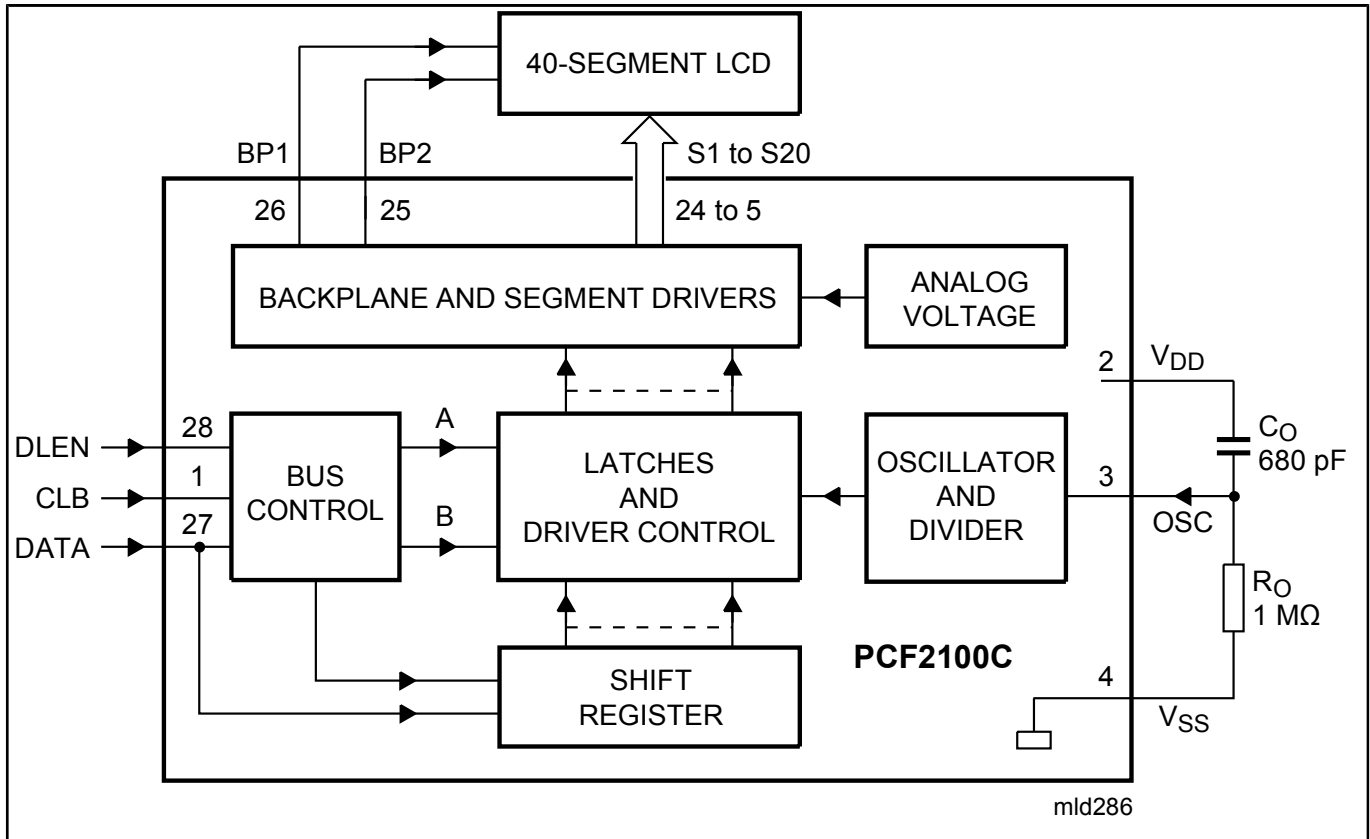
新規採用非推奨

このページでは、新規設計を推奨しない製品に関する情報を掲載しています。

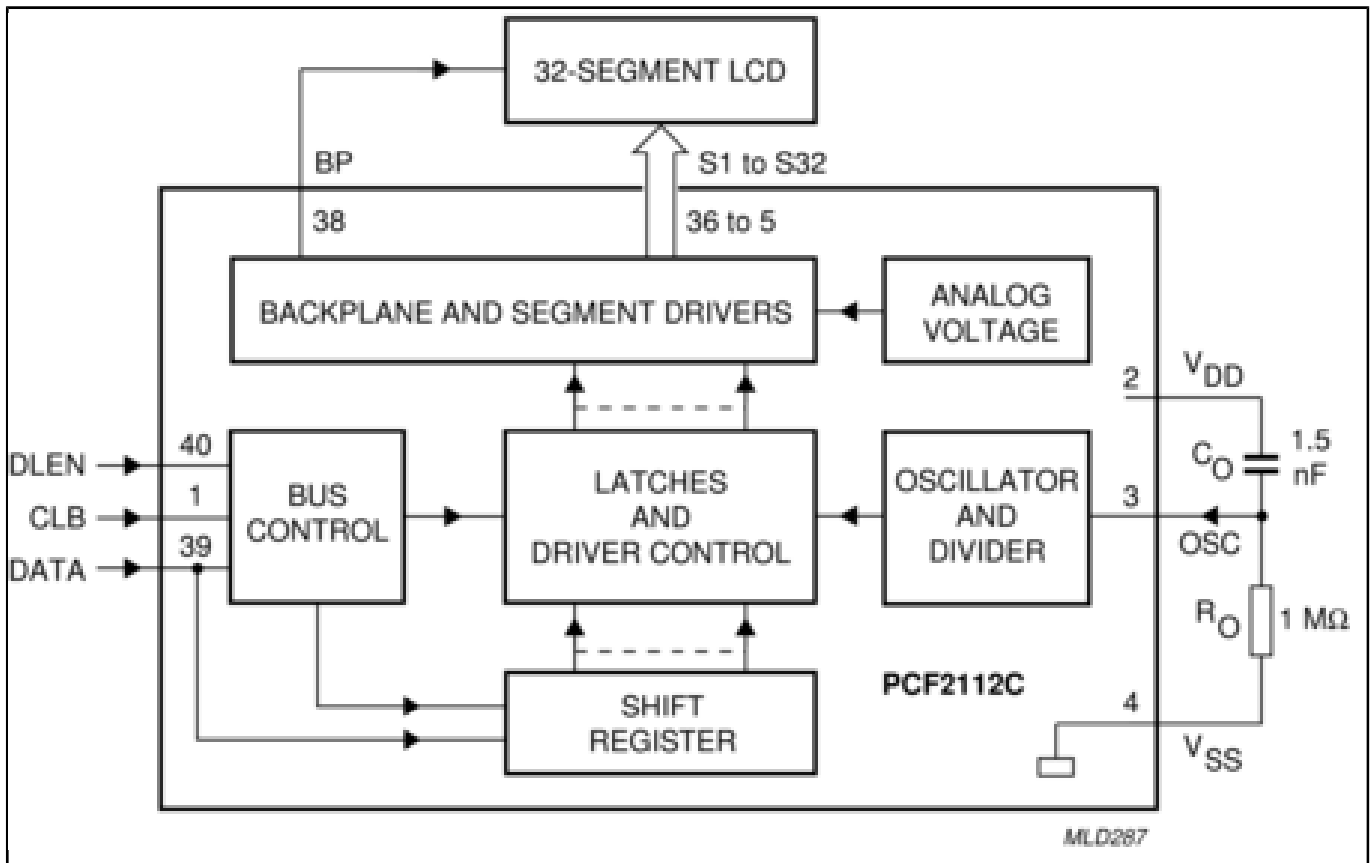
Last Updated: Oct 13, 2023

The PCF21xxC family are single-chip, silicon gate CMOS LCD driver circuits. A 3-line bus (CBUS) structure enables serial data transfer with microcontrollers.

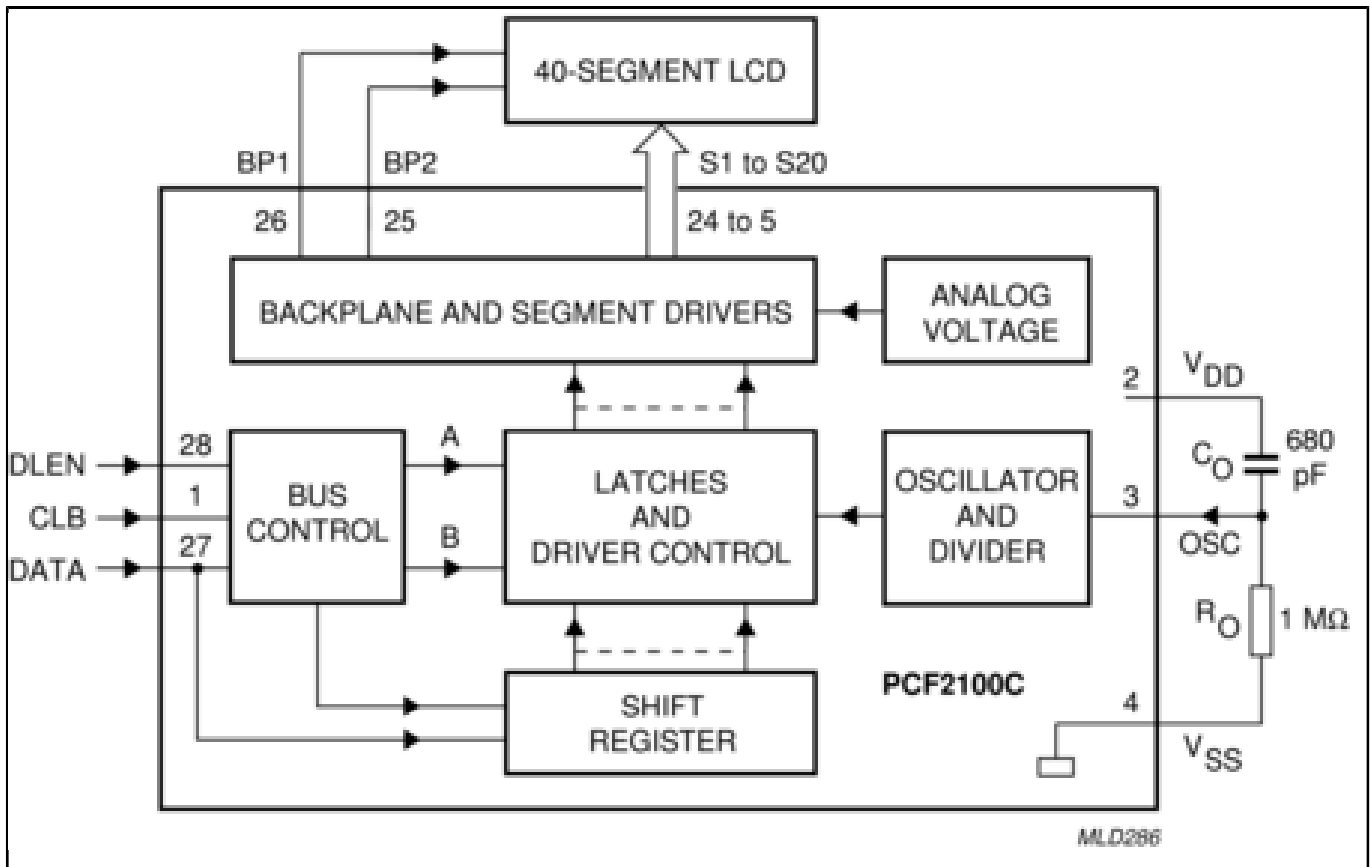
PCF21XXC_FAM Block Diagram Block Diagram



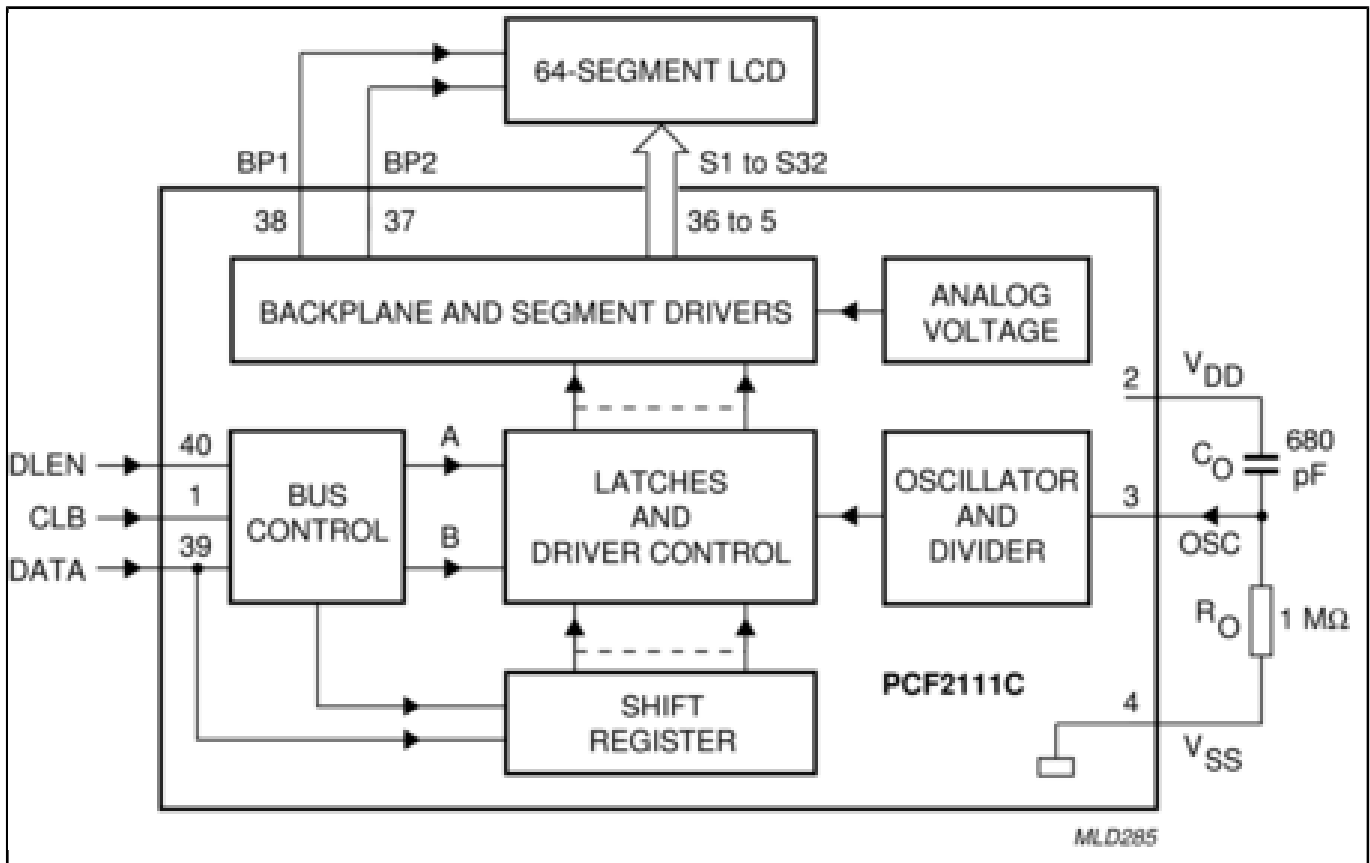
Block diagram: PCF2100CT, PCF2111CT, PCF2112CP, PCF2112CT Block Diagram



Block diagram: PCF2100CT, PCF2111CT, PCF2112CP, PCF2112CT Block Diagram



Block diagram: PCF2100CT, PCF2111CT, PCF2112CP, PCF2112CT Block Diagram



View additional information for [LCD Drivers](#).

Note: The information on this document is subject to change without notice.

www.nxp.com

NXP and the NXP logo are trademarks of NXP B.V. All other product or service names are the property of their respective owners. The related technology may be protected by any or all of patents, copyrights, designs and trade secrets. All rights reserved. © 2024 NXP B.V.