



Universal LCD Driver for Low Multiplex Rates

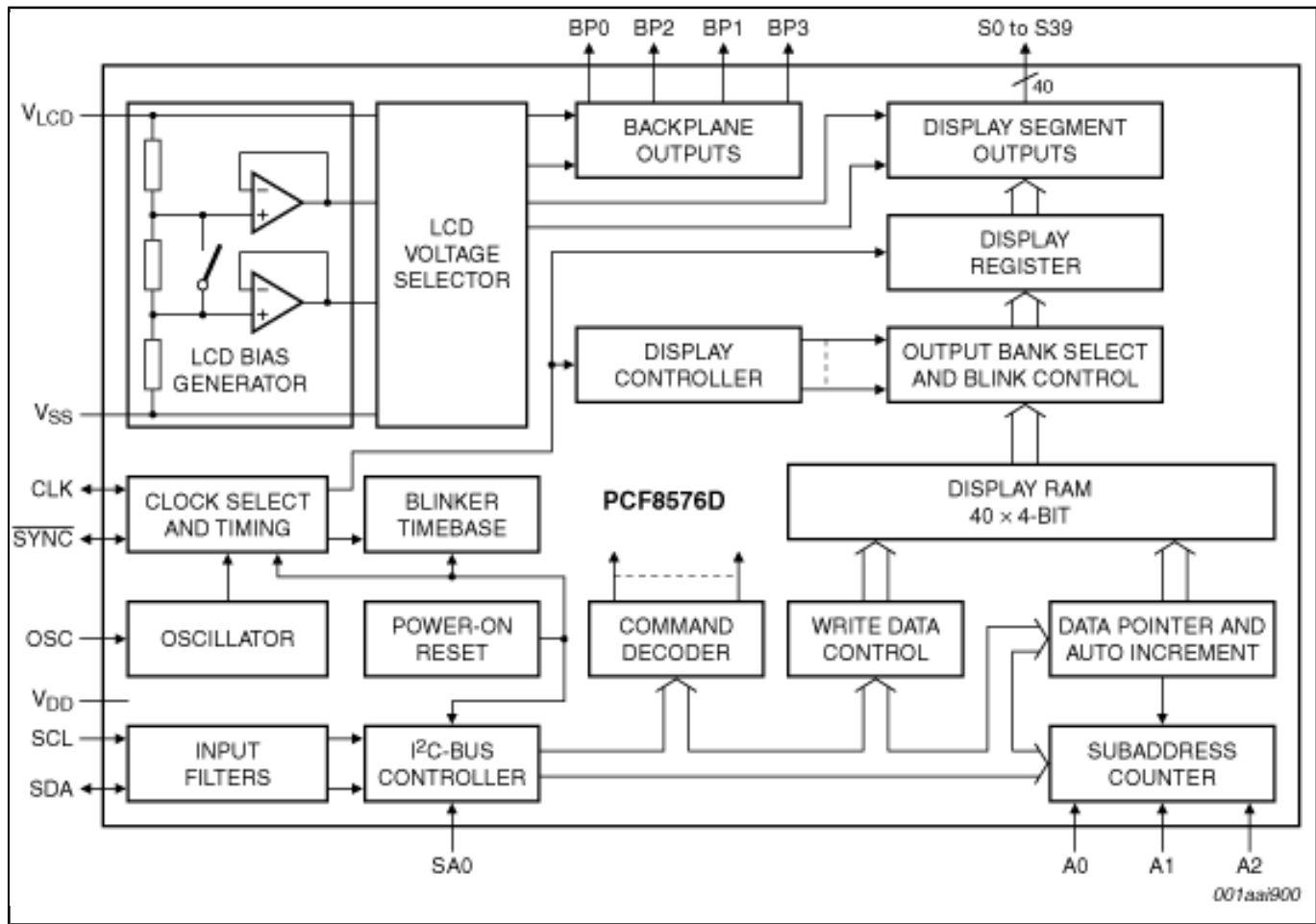
PCF8576D

Last Updated: Oct 13, 2023

The PCF8576D is a peripheral device which interfaces to almost any Liquid Crystal Display (LCD) with low multiplex rates. It generates the drive signals for any static or multiplexed LCD containing up to four backplanes and up to 40 segments. It can be easily cascaded for larger LCD applications. The PCF8576D is compatible with most microcontrollers and communicates via the two-line bidirectional I²C-bus. Communication overheads are minimized by a display RAM with auto-incremented addressing, by hardware subaddressing and by display memory switching (static and duplex drive modes).

- PCF8576DT/2 should not be used for new design-ins. Replacement part is PCF85176T/1 for industrial applications
- PCF8576DT/S400/2 should not be used for new design-ins. Replacement part is PCA85176T/Q900/1 for automotive applications

Block diagram: PCF8576DH, PCF8576DT, PCF8576DU Block Diagram



View additional information for [Universal LCD Driver for Low Multiplex Rates](#).

Note: The information on this document is subject to change without notice.

www.nxp.com

NXP and the NXP logo are trademarks of NXP B.V. All other product or service names are the property of their respective owners. The related technology may be protected by any or all of patents, copyrights, designs and trade secrets. All rights reserved. © 2024 NXP B.V.