



LCD Direct/Duplex Driver with I²C-Bus Interface

PCF8577CT

新規採用非推奨

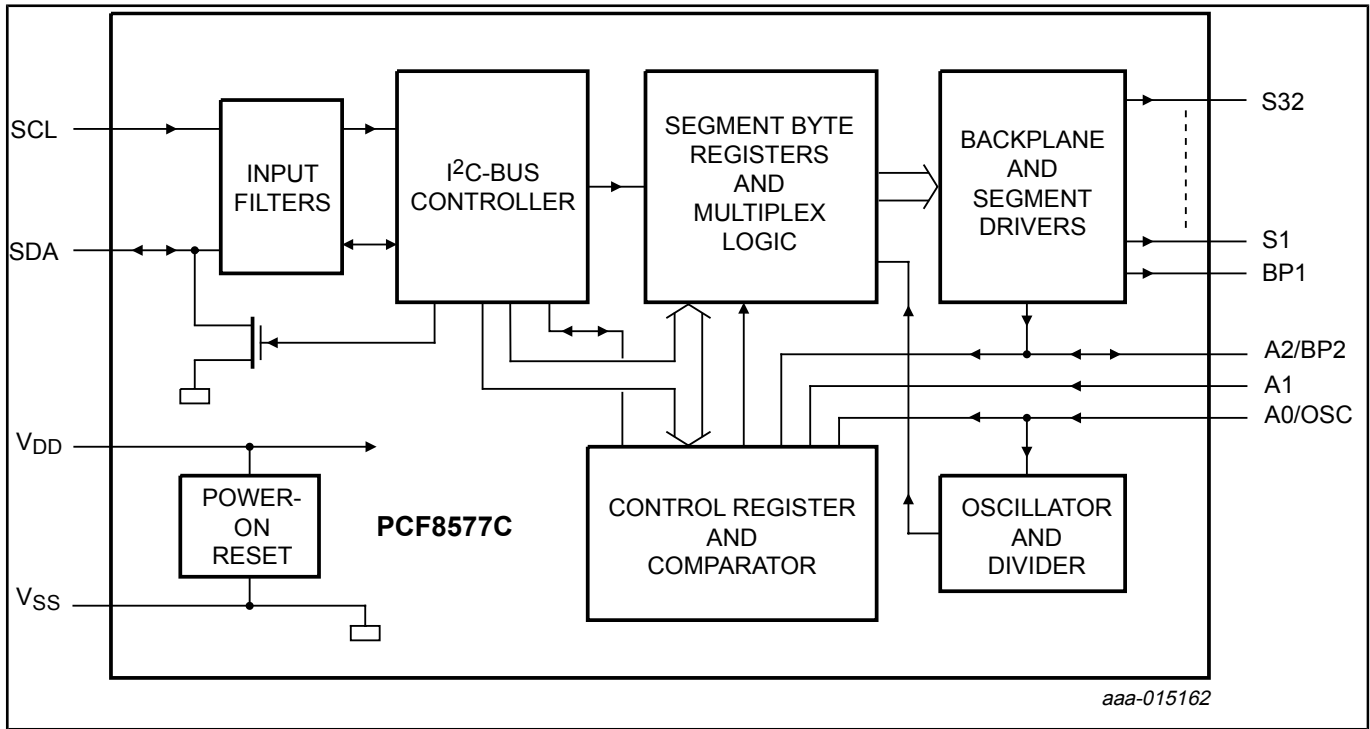
このページでは、新規設計を推奨しない製品に関する情報を掲載しています。

Last Updated: Oct 13, 2023

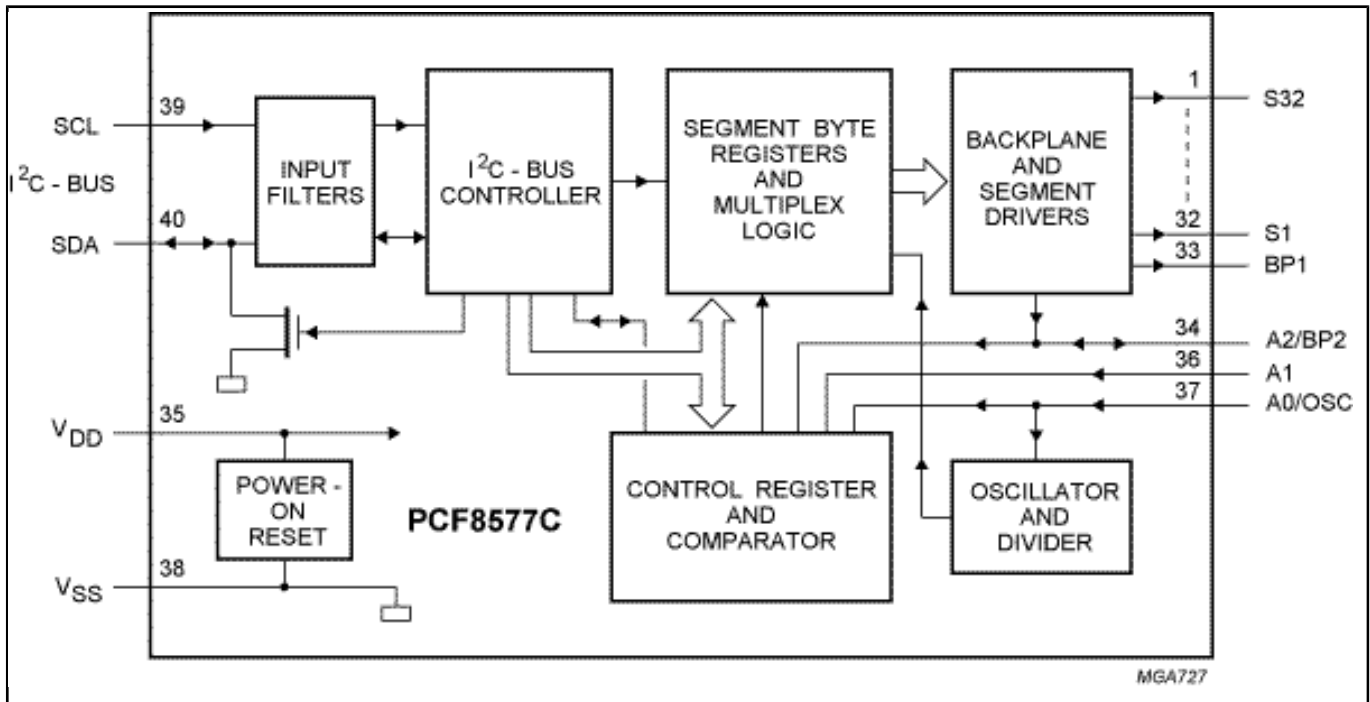
The PCF8577C is an LCD driver which drives up to 32 segments directly, or 64 segments in a duplex configuration.

The two-line I²C-bus interface substantially reduces wiring overheads in remote display applications. I²C-bus traffic is minimized in multiple IC applications by automatic address incrementing, hardware subaddressing and display memory switching (direct drive mode). To allow partial VDD shutdown, the ESD protection system of the SCL and SDA pins does not use a diode connected to VDD.

PCF8577C Block Diagram



PCF8577CT, PCF8577CU Block Diagram



Note: The information on this document is subject to change without notice.

www.nxp.com

NXP and the NXP logo are trademarks of NXP B.V. All other product or service names are the property of their respective owners. The related technology may be protected by any or all of patents, copyrights, designs and trade secrets. All rights reserved. © 2024 NXP B.V.