



Smart Battery Management for Mobile Robotics

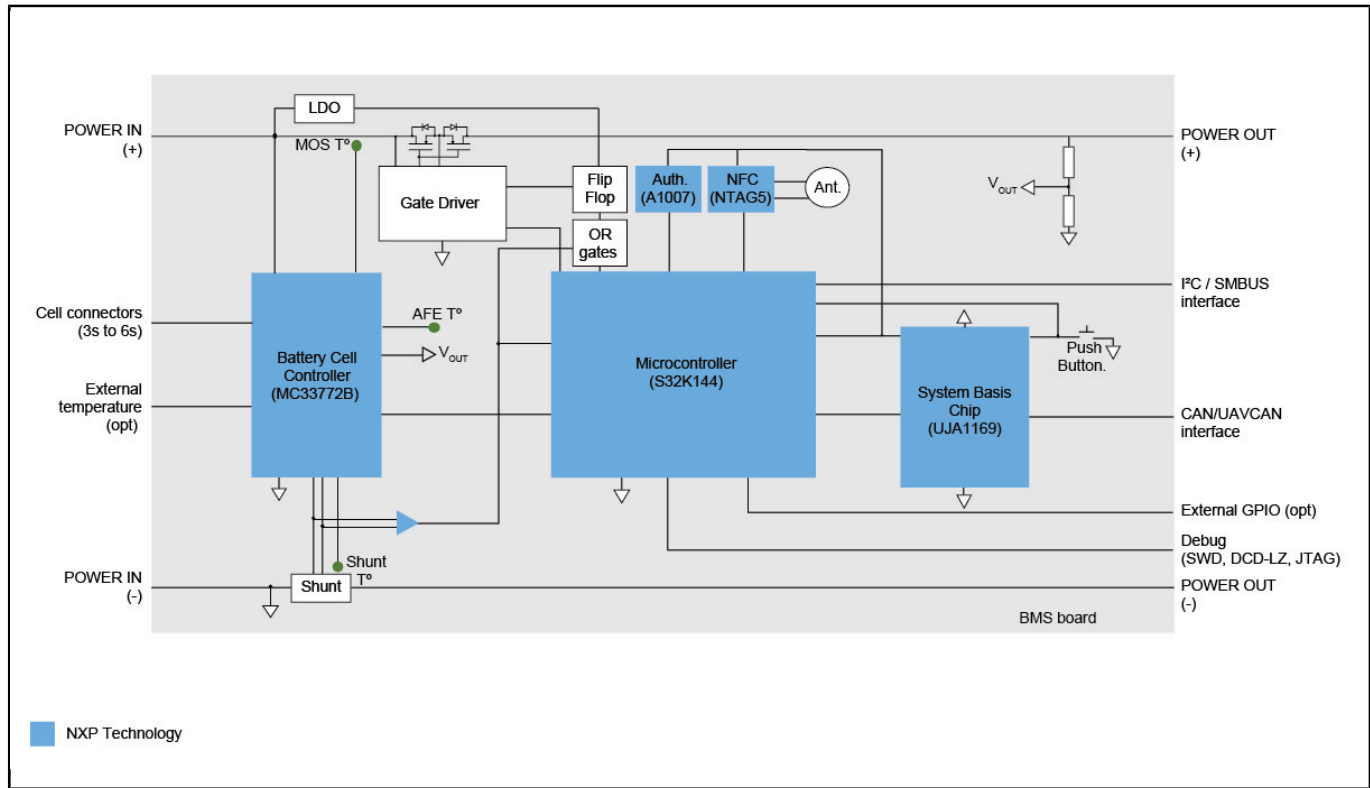
RDDRONE-BMS772

Last Updated: May 1, 2023

The RDDRONE-BMS772 is a standalone BMS reference design suitable for mobile robotics such as drones and rovers, supporting 3 to 6 cell batteries.

- Also suitable for other applications, such as portable medical devices, high energy power tools and personal mobility (wheelchairs / scooters), all of which benefit from high-quality battery control.
- Higher voltage cell count applications can rework this reference to daisy chain BCC chips.
- An S32K144 General Purpose MCU provides great flexibility and communication to a PX4 based FMU via UAVCAN or I2C/SMBus.

RDDRONE-BMS772 Block Diagram Block Diagram



View additional information for [Smart Battery Management for Mobile Robotics](#).

Note: The information on this document is subject to change without notice.

www.nxp.com

NXP and the NXP logo are trademarks of NXP B.V. All other product or service names are the property of their respective owners. The related technology may be protected by any or all of patents, copyrights, designs and trade secrets. All rights reserved. © 2024 NXP B.V.