

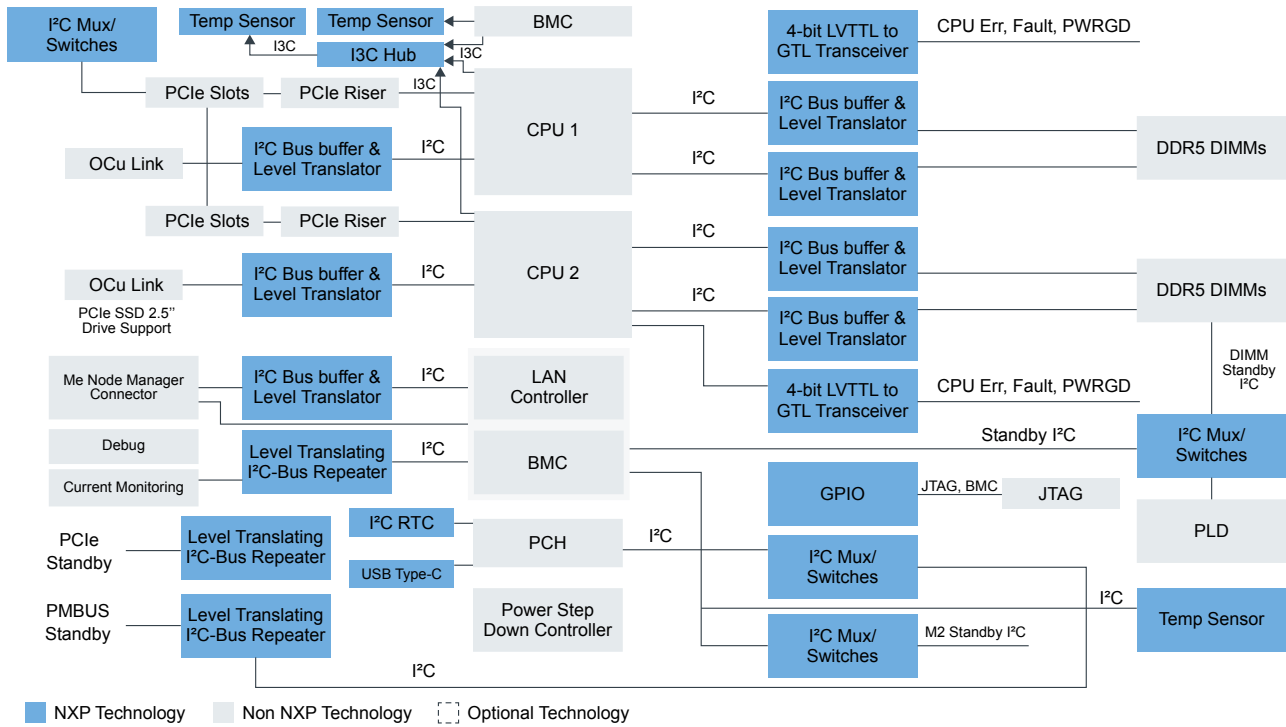


Interface ICs for Servers used in Data Centers

Last Updated: Mar 18, 2024

Invented by NXP (then Philips Semiconductors) more than 30 years ago, the I²C bus has enabled a wide portfolio of trusted bus enablement ICs that are used widely in modern servers and server add-in cards in the industry. These range from bi-directional I²C and I³C bus buffers, multiplexers, switches, smart DIP switches, real time clocks, GPIO expanders, temperature sensors, bi-directional voltage level translators and GTL to LVTTTL level translators with direction pin.

NXP Interface Products used on Server Platforms Block Diagram



Recommended Products for NXP Interface Products used on Server Platforms

4-Channel I2C Bus Switch	<ul style="list-style-type: none"> • PCA9543A_43B: Two-Channel I²C-Bus Switch with Interrupt Logic and Reset • PCA9544A: Four-Channel I²C-Bus Multiplexer with Interrupt Logic • PCA9548A: Eight-Channel I²C-Bus Switch with Reset
Temp Sensor	<ul style="list-style-type: none"> • P3T1755DP: I3C/I²Cバス対応、±0.5° C精度デジタル温度センサ • P3T1750DP: I3C/I²Cバス、±1° C精度、デジタル温度センサ • P3T1035xUK: I3C/I²Cバスに対応した±0.5°C精度のデジタル温度センサ • PCT2075: I²C-Bus Fm+, 1 Degree C Accuracy, Digital Temperature Sensor and Thermal Watchdog
Temp Sensor	<ul style="list-style-type: none"> • PCT2075: I²C-Bus Fm+, 1 Degree C Accuracy, Digital Temperature Sensor and Thermal Watchdog • P3T1755DP: I3C/I²Cバス対応、±0.5° C精度デジタル温度センサ • P3T1750DP: I3C/I²Cバス、±1° C精度、デジタル温度センサ

	<ul style="list-style-type: none"> • P3T1035xUK: I3C/I²Cバスに対応した±0.5°C精度のデジタル温度センサ
USB Type-C	<ul style="list-style-type: none"> • PTN36043x: USB Type-C SuperSpeedアクティブ・スイッチ
4-bit LVTTTL to GTL Transceiver	<ul style="list-style-type: none"> • GTL2014PW: 4-Bit LVTTTL-to-GTL Transceiver
I2C Bus buffer and Level Translator	<ul style="list-style-type: none"> • PCA9617A: Level Translating Fm+ I²C-Bus Repeater • PCA9517A: Level Translating I²C-Bus Repeater • PCA9511A: Hot Swappable I²C-Bus and SMBus Bus Buffer
Level translating I2C-bus repeater	<ul style="list-style-type: none"> • PCA9517A: Level Translating I²C-Bus Repeater
I2C Mux / Switches	<ul style="list-style-type: none"> • PCA9546A: Four-Channel I²C-Bus Switch with Reset • PCA9548A: Eight-Channel I²C-Bus Switch with Reset • PCA9846: Four-Channel Ultra-Low Voltage, Fm+ I²C-Bus Switch with Reset • PCA9545A_45B_45C: Four-Channel I²C-Bus Switch with Interrupt Logic and Reset • PCA9543A_43B: Two-Channel I²C-Bus Switch with Interrupt Logic and Reset
GPIO	<ul style="list-style-type: none"> • PCAL9714: Agile I/O機能搭載14ビットSPI I/Oエクспанダ • PCAL9722: Agile I/O機能搭載22ビットSPI I/Oエクспанダ • PCA9535A: Low-Voltage 16-Bit I²C-Bus I/O Port with Interrupt • PCA9555: 16-Bit I²C-Bus and SMBus I/O Port with Interrupt • PCA9554_PCA9554A: 8-Bit I²C-Bus and SMBus I/O Port with Interrupt • PCA9538: 8-Bit I²C-Bus and SMBus Low-Power I/O Port with Interrupt and Reset • PCA9539A: Low Voltage 16-Bit I²C-Bus I/O Port with Interrupt and Reset
PCIe Riser	<ul style="list-style-type: none"> • PTN3944: マルチチャネルPCIe Gen 4リニア・イコライザ
I2C RTC	<ul style="list-style-type: none"> • PCF85053A: 2つのI²Cバス、128バイトSRAM、およびアラーム機能を備えたブータブルCPU RTC

View our complete solution for [Interface ICs for Servers used in Data Centers](#).

Note: The information on this document is subject to change without notice.

www.nxp.com

NXP and the NXP logo are trademarks of NXP B.V. All other product or service names are the property of their respective owners. The related technology may be protected by any or all of patents, copyrights, designs and trade secrets. All rights reserved. © 2024 NXP B.V.