



FlexRay™ Node Transceiver - Clamp 30

TJA1081B

Last Updated: Jul 20, 2023

The TJA1081B is a FlexRay node transceiver that is fully compliant with the FlexRay electrical physical layer specification V3.0.1. In order to meet the JASPAR-specific requirements, it implements the 'Bus driver increased voltage amplitude transmitter' functional class. It is primarily intended for communication systems from 2.5 Mbit/s to 10 Mbit/s and provides an advanced interface between the protocol controller and the physical bus in a FlexRay network.

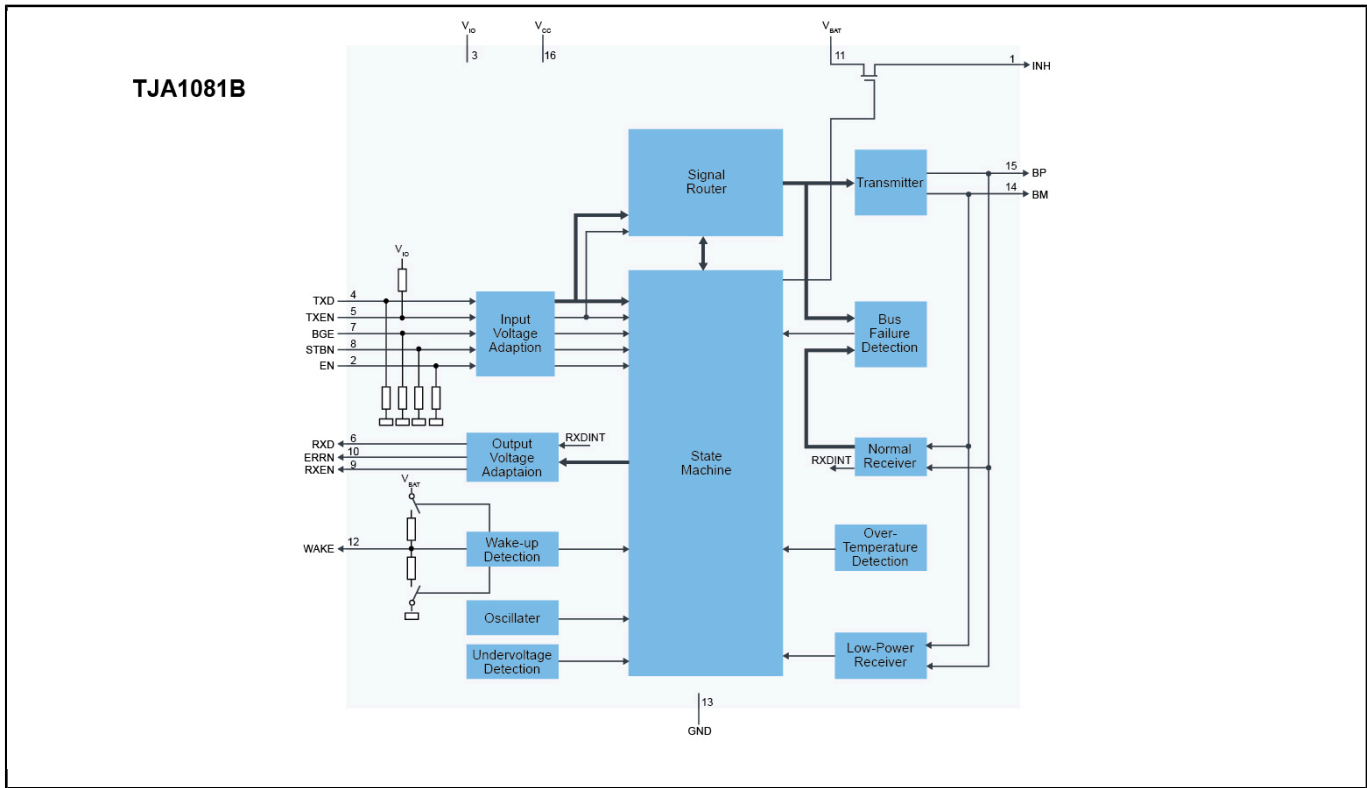
The TJA1081B features enhanced low-power modes, optimized for ECUs that are permanently connected to the battery.

The TJA1081B provides differential transmit capability to the network and differential receive capability to the FlexRay controller. It offers excellent EMC performance as well as effective ESD protection.

The TJA1081B actively monitors system performance using dedicated error and status information (that can be read by any microcontroller), along with internal voltage and temperature monitoring.

The TJA1081B supports mode control as used in the TJA1080A and is fully function and footprint compatible with the TJA1081.

TJA1081B Block Diagram Block Diagram



View additional information for [FlexRay™ Node Transceiver - Clamp 30](#).

Note: The information on this document is subject to change without notice.

www.nxp.com

NXP and the NXP logo are trademarks of NXP B.V. All other product or service names are the property of their respective owners. The related technology may be protected by any or all of patents, copyrights, designs and trade secrets. All rights reserved. © 2024 NXP B.V.