



Transmission and Gearbox

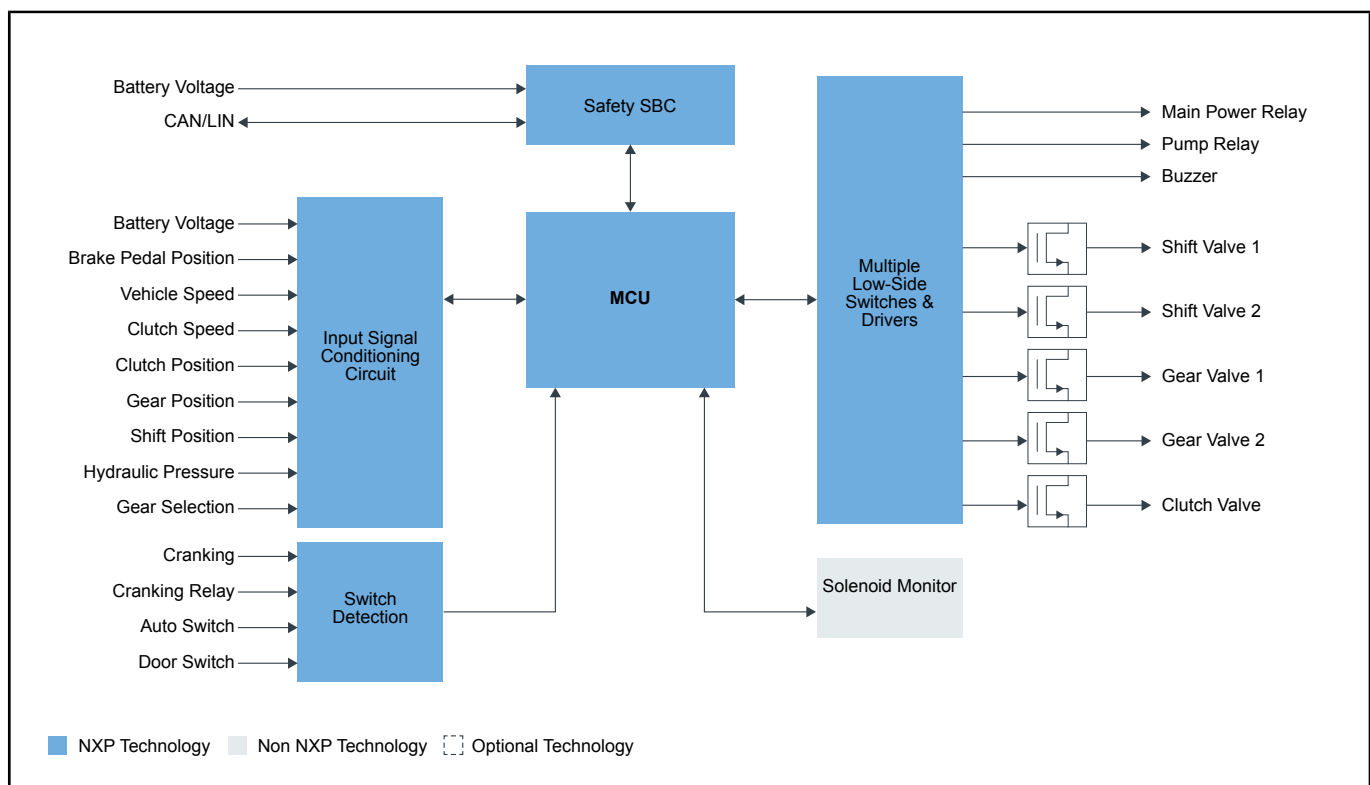
Last Updated: Dec 16, 2022

The transmission system ensures that engine torque output is efficiently transferred to the road, providing the traction and control drivers require.

Our comprehensive microcontrollers portfolio, together with standard analog and mixed-signal ICs, provide high-performance and high-temperature operation in harsh environments and the required reliability for automated manual transmissions and dual-clutch applications.

Our MCU portfolio offers motor control solutions with a complete development ecosystem, including low-level software tools, to speed design cycles.

Transmission and Gearbox Block Diagram



Recommended Products for Transmission and Gearbox	
Microcontrollers (MCU)	<ul style="list-style-type: none"> • S32K1: S32K1 車載向け汎用マイクロコントローラ • MPC5777C: Ultra-Reliable MPC5777C MCU for Automotive and Industrial Engine Management • MPC5746R: Automotive and Industrial Engine Management MCU
Safety SBC	<ul style="list-style-type: none"> • FS23: パワー・マネジメント、CAN、LINの機能を備えたセーフティ・システムベース・チップ (SBC) ファミリ • FS24: ASIL-Bに適合した、車載アプリケーション専用セーフティ・ミニCAN FD SBC • FS6600: Safety System Basis Chip for S32S2 Microcontroller, Fit for ASIL D • FS86: ドメイン・コントローラ用セーフティ・システムベース・チップ、ASIL BおよびDに適合 • FS4500: Grade 1 and Grade 0 Safety Power System Basis Chip with CAN Flexible Data Transceiver • FS26: 低消費電力セーフティ・システムベース・チップ、ASIL Dシステム対応 • FS6500: Grade 1 and Grade 0 Safety Power System Basis Chip with CAN Flexible Data Transceiver
Input Signal Conditioning Circuit	<ul style="list-style-type: none"> • オートモーティブLINソリューション: オートモーティブLINソリューション
Switch Detection	<ul style="list-style-type: none"> • CD1020: Low-Cost 22-CH Multiple Switch Detect Interface
Multiple Low-Side Switch and Driver	<ul style="list-style-type: none"> • MC33816: SD6 Programmable Driver for Solenoid Control • PT2000: Programmable Solenoid Controller Gate Driver

View our complete solution for [Transmission and Gearbox](#).

Note: The information on this document is subject to change without notice.

www.nxp.com

NXP and the NXP logo are trademarks of NXP B.V. All other product or service names are the property of their respective owners. The related technology may be protected by any or all of patents, copyrights, designs and trade secrets. All rights reserved. © 2024 NXP B.V.