



15 W AUTOSAR Wireless Charging Transmitter

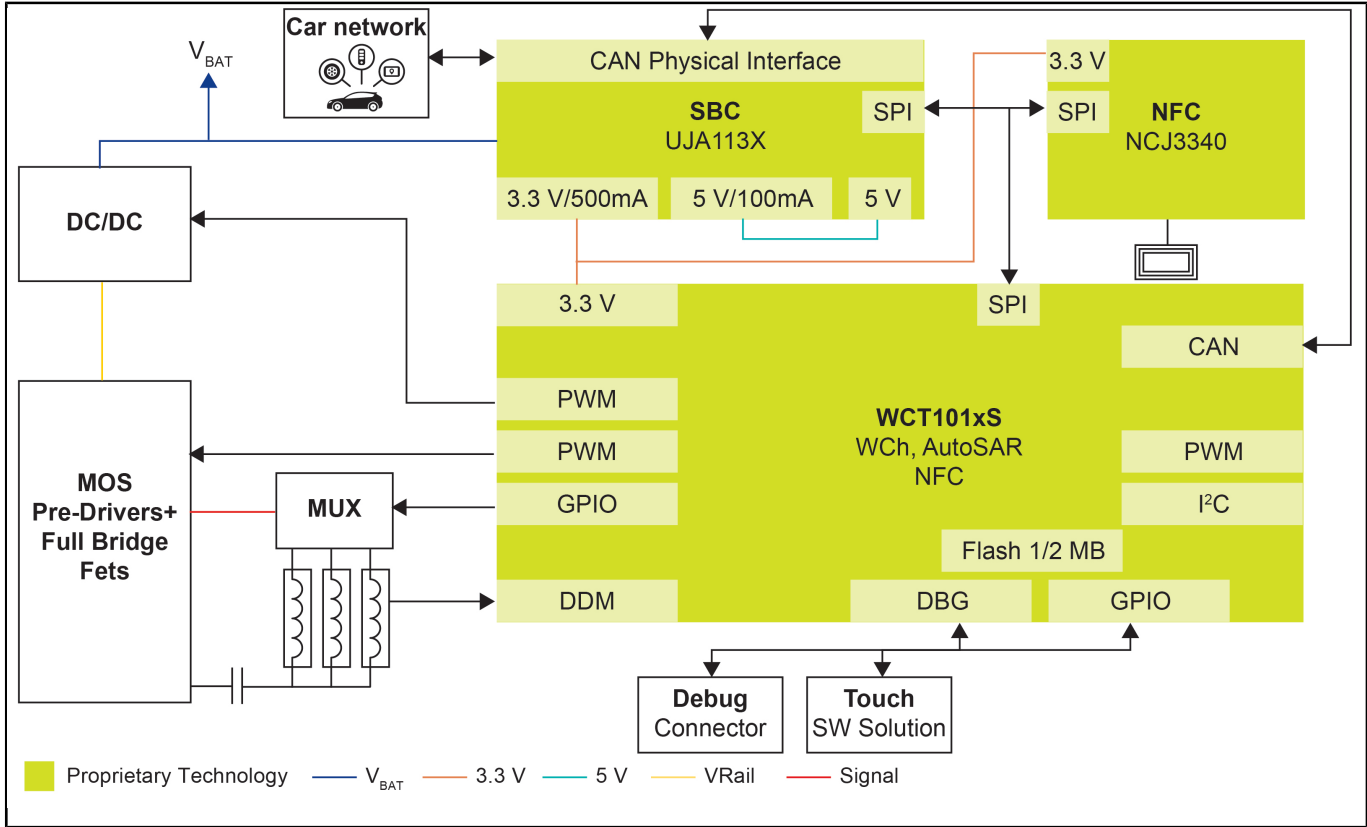
WCT-15WTXAUTOS

Last Updated: Dec 6, 2023

The NXP® 15 W multi-coil transmitter reference platform is designed for AutoSAR in-vehicle wireless charging applications based on the NXP MWCT101xS controller IC family. The platform uses auto grade components and other vital automotive functions including AUTOSAR software and drivers to ensure the system can be seamlessly integrated. Complies with the Wireless Power Consortium's latest Qi® specification and is certified as a MP-A9 transmitter type.

15W AutoSAR Wireless Charging Transmitter - Fact Sheet

AutoSAR Wireless Charging Block Diagram



View additional information for [15 W AUTOSAR Wireless Charging Transmitter](#).

Note: The information on this document is subject to change without notice.

www.nxp.com

NXP and the NXP logo are trademarks of NXP B.V. All other product or service names are the property of their respective owners. The related technology may be protected by any or all of patents, copyrights, designs and trade secrets. All rights reserved. © 2024 NXP B.V.