

AN11512

BGU8L1 LTE LNA evaluation board

Rev. 2 — 15 January 2016

Application note

Document information

Info	Content
Keywords	BGU8L1, LTE, LNA
Abstract	This document explains the BGU8L1 LTE LNA evaluation board
Ordering info	<u>Board-number:</u> OM7884 <u>12NC:</u> 9340 686 48598
Contact information	For more information, please visit: http://www.nxp.com



Revision history

Rev	Date	Description
2	20160115	Updated with extra application information
1	20140423	First publication

Contact information

For more information, please visit: <http://www.nxp.com>

For sales office addresses, please send an email to: salesaddresses@nxp.com

1. Introduction

NXP Semiconductors' BGU8L1 LTE LNA Evaluation Board is designed to evaluate the performance of the LTE LNA using:

- NXP Semiconductors' BGU8L1 LTE Low Noise Amplifier
- A matching inductor
- A decoupling capacitor

NXP Semiconductors' BGU8L1 is a low-noise amplifier for LTE receiver applications in a plastic, leadless 6 pin, extremely thin small outline SOT1232 at 1.1 x 0.7 x 0.37mm, 0.4mm pitch. The BGU8L1 features gain of 14 dB and a noise figure of 0.7 dB at a current consumption of 4.6 mA. Its superior linearity performance removes interference and noise from co-habitation cellular transmitters, while retaining sensitivity. The LNA components occupy a total area of approximately 4 mm².

In this document, the application diagram, board layout, bill of materials, and typical results are given, as well as some explanations on LTE related performance parameters like input third-order intercept point IIP3, gain compression and noise.

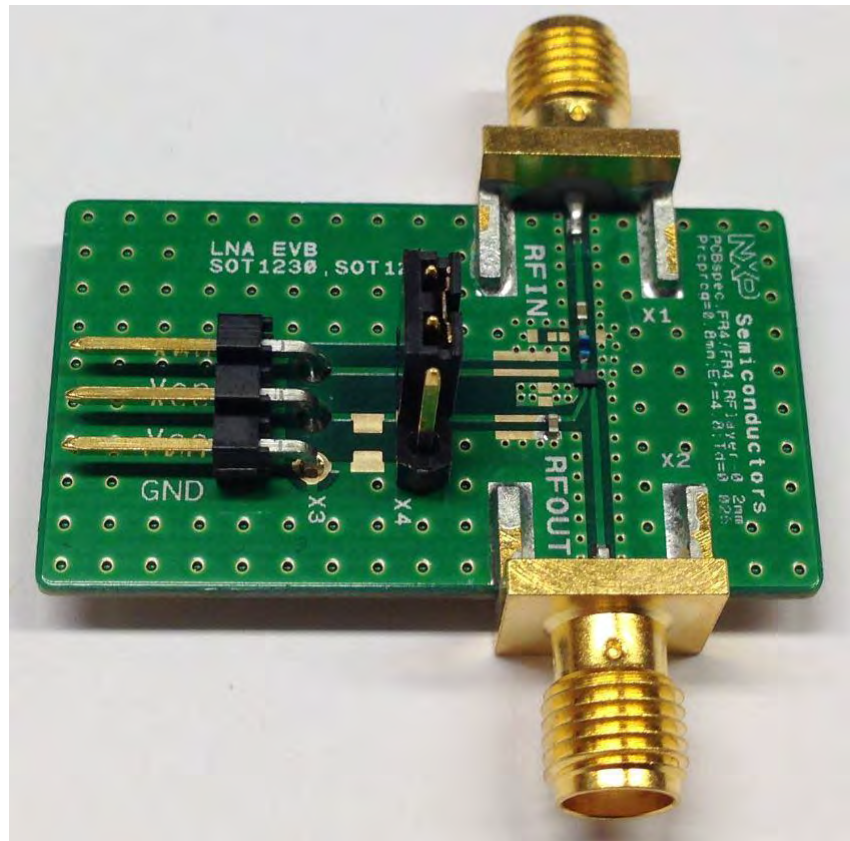


Fig 1. BGU8x1 LTE LNA evaluation board (used for BGU8L1, BGU8M1 and BGU8H1)

2. General description

Modern cellular phones have multiple radio systems, so problems like co-habitation are quite common. Since the LTE diversity antenna needs to be placed far from the main antenna to ensure the efficiency of the channel, a low noise amplifier close to the antenna is used to compensate the track-losses (and SAW-filter losses when applicable) on the printed circuit board. A LTE receiver implemented in a mobile phone requires a low current consumption and low Noise Figure. All the different transmit signals that are active in smart phones and tablets can cause problems like inter-modulation and compression. Therefore also a high linearity is required.

3. BGU8L1 LTE LNA evaluation board

The BGU8L1LNA evaluation board simplifies the RF evaluation of the BGU8L1 LTE LNA applied in a LTE front-end, often used in mobile cell phones. The evaluation board enables testing of the device RF performance and requires no additional support circuitry. The board is fully assembled with the BGU8L1 including the input series inductor and decoupling capacitor. The board is supplied with two SMA connectors for input and output connection to RF test equipment. The BGU8L1 can operate from a 1.5 V to 3.1 V single supply and consumes typical 4.6 mA.

3.1 Application Circuit

The circuit diagram of the evaluation board is shown in Fig 2. With jumper JU1 the enable input can be connected either to Vcc or GND.

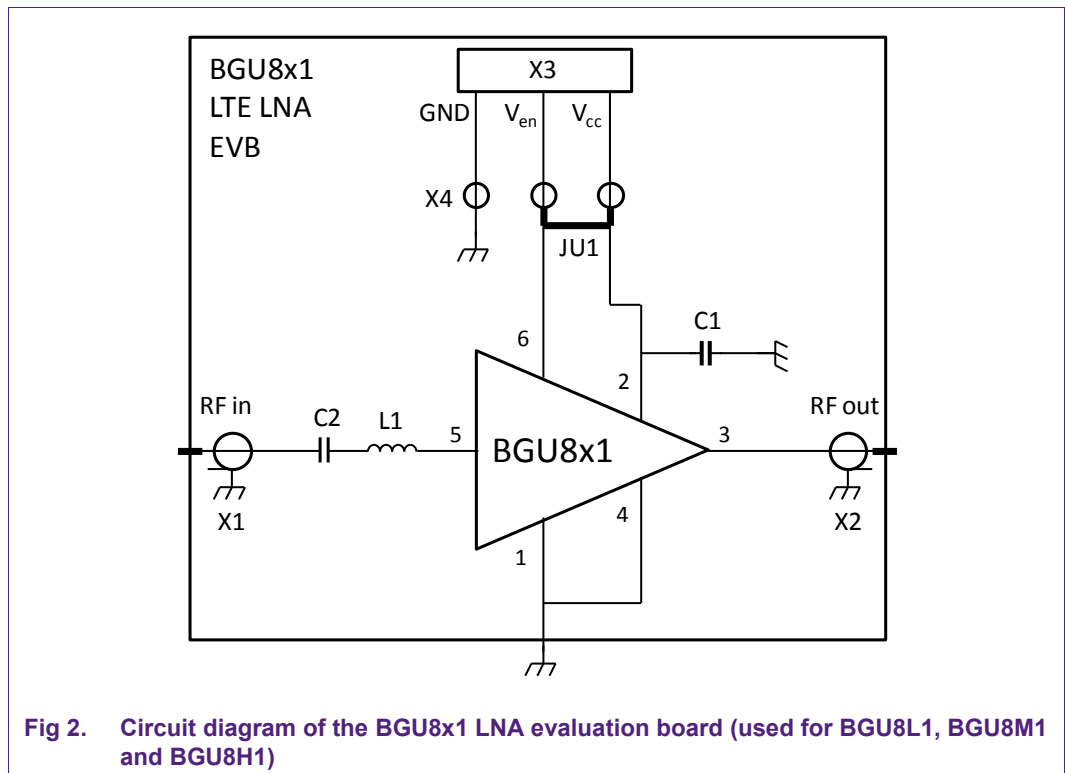


Fig 2. Circuit diagram of the BGU8x1 LNA evaluation board (used for BGU8L1, BGU8M1 and BGU8H1)

3.2 PCB Layout

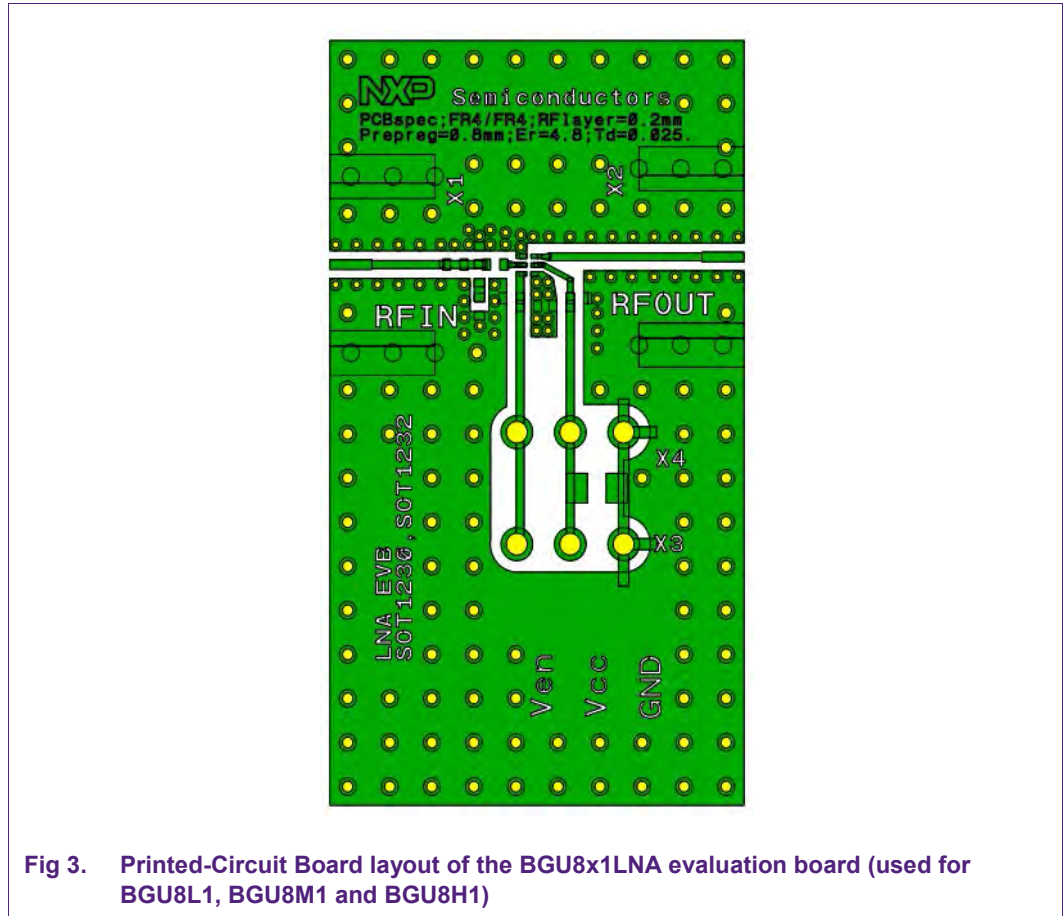


Fig 3. Printed-Circuit Board layout of the BGU8x1LNA evaluation board (used for BGU8L1, BGU8M1 and BGU8H1)

A good PCB layout is an essential part of an RF circuit design. The LNA evaluation board of the BGU8L1 can serve as a guideline for laying out a board using the BGU8L1. Use controlled impedance lines for all high frequency inputs and outputs. Bypass Vcc with decoupling capacitors, preferably located as close as possible to the device. For long bias lines it may be necessary to add decoupling capacitors along the line further away from the device. Proper grounding of the GND pins is also essential for good RF performance. Either connect the GND pins directly to the ground plane or through vias, or do both, which is recommended. The material that has been used for the evaluation board is FR4 using the stack shown in Fig 4.

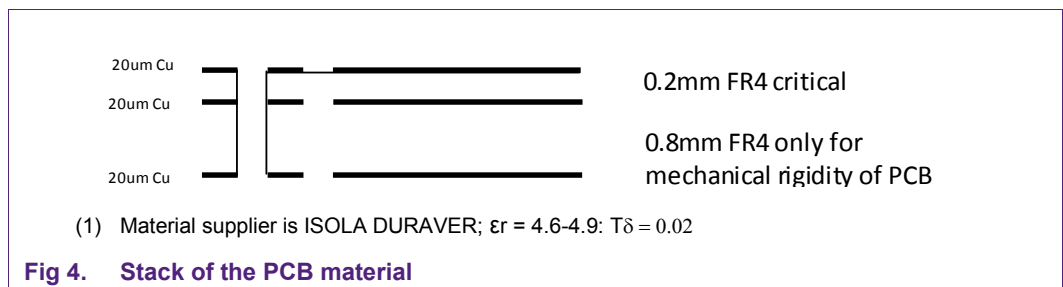


Fig 4. Stack of the PCB material

4. Bill of materials

Table 1. BOM of the BGU8L1 LTE LNA evaluation board

Designator	Description	Footprint	Value	Supplier Name/type	Comment
D	BGU8L1	1.1 x 0.7 x 0.37mm ³ , 0.4mm pitch		NXP	SOT1232
PCB		20 x 35mm		BGU8L1 LTE LNA EV Kit	
C1	Capacitor	0402	1nF	Murata GRM1555	Decoupling
C2	Capacitor	0402	1nF	Murata GRM1555	Decoupling
L1	Inductor	0402	15nH	Murata LQW15	Input matching
X1, X2	SMA RD connector	-	-	Johnson, End launch SMA 142-0701-841	RF input/ RF output
X3	DC header	-	-	Molex, PCB header, Right Angle, 1 row, 3 way 90121-0763	Bias connector
X4	JUMPER Stage	-	-	Molex, PCB header, Vertical, 1 row, 3 way 90120-0763	Connect Ven to Vcc or separate Ven voltage
JU1	JUMPER				

4.1 BGU8L1

NXP Semiconductors' BGU8L1 LTE low noise amplifier is designed for the LTE frequency band. The integrated biasing circuit is temperature stabilized, which keeps the current constant over temperature. It also enables the superior linearity performance of the BGU8L1. The BGU8L1 is also equipped with an enable function that allows it to be controlled via a logic signal. In disabled mode it consumes less than 1 μ A.

The output of the BGU8L1 is internally matched between 728 MHz and 960 MHz, whereas only one series inductor at the input is needed to achieve the best RF performance. The output is AC coupled via an integrated capacitor.

It requires only two external components to build a LTE LNA having the following advantages:

- Low noise
- System optimized gain
- High linearity under jamming
- 1.1 x 0.7 x 0.37, 0.4mm pitch: SOT1232
- Low current consumption
- Short power settling time

4.2 Series inductor

The evaluation board is supplied with Murata LQW15 series inductor of 15 nH. This is a wire wound type of inductor with high quality factor (Q) and low series resistance (Rs). This type of inductor is recommended in order to achieve the best noise performance. High Q inductors from other suppliers can be used. If it is decided to use other low cost inductors with lower Q and higher Rs the noise performance will degrade.

5. Required Equipment

In order to measure the evaluation board the following is necessary:

- ✓ DC Power Supply op to 30 mA at 1.5 V to 3.1 V
- ✓ Two RF signal generators capable of generating RF signals at the LTE operating frequencies between 728 MHz and 960 MHz.
- ✓ An RF spectrum analyzer that covers at least the LTE operating frequencies of 728 MHz to 960 MHz as well as a few of the harmonics. Up to 6 GHz should be sufficient.
“Optional” a version with the capability of measuring noise figure is convenient
- ✓ Amp meter to measure the supply current (optional)
- ✓ A network analyzer for measuring gain, return loss and reverse isolation
- ✓ Noise figure analyzer and noise source
- ✓ Directional coupler
- ✓ Proper RF cables

6. Connections and setup

The BGU8L1 LTE LNA evaluation board is fully assembled and tested (see Fig 5). Please follow the steps below for a step-by-step guide to operate the LNA evaluation board and testing the device functions.

1. Connect the DC power supply to the V_{cc} and GND terminals. Set the power supply to the desired supply voltage, between 1.5 V and 3.1 V, but never exceed 3.1 V as it might damage the BGU8L1.
2. Jumper JU1 is connected between the V_{cc} terminal of the evaluation board and the V_{en} pin of the BGU8L1.
3. Connect the RF signal generator and the spectrum analyzer to the RF input and the RF output of the evaluation board, respectively. Do not turn on the RF output of the signal generator yet, set it to approximately -40 dBm output power at center frequency of the wanted LTE-ban and\ set the spectrum analyzer at the same center frequency and a reference level of 0 dBm.
4. Turn on the DC power supply and it should read approximately 4..5 mA.
5. Enable the RF output of the generator: The spectrum analyzer displays a tone around -26 dBm.
6. Instead of using a signal generator and spectrum analyzer one can also use a network analyzer in order to measure gain as well as in- and output return loss, P1dB and IP3 (see Fig 6).
7. For noise figure evaluation, either a noise figure analyzer or a spectrum analyzer with noise option can be used. The use of a 5 dB noise source, like the Agilent 364B is recommended. When measuring the noise figure of the evaluation board, any kind of adaptors, cables etc between the noise source and the evaluation board should be minimized, since this affects the noise figure (see Fig 7).

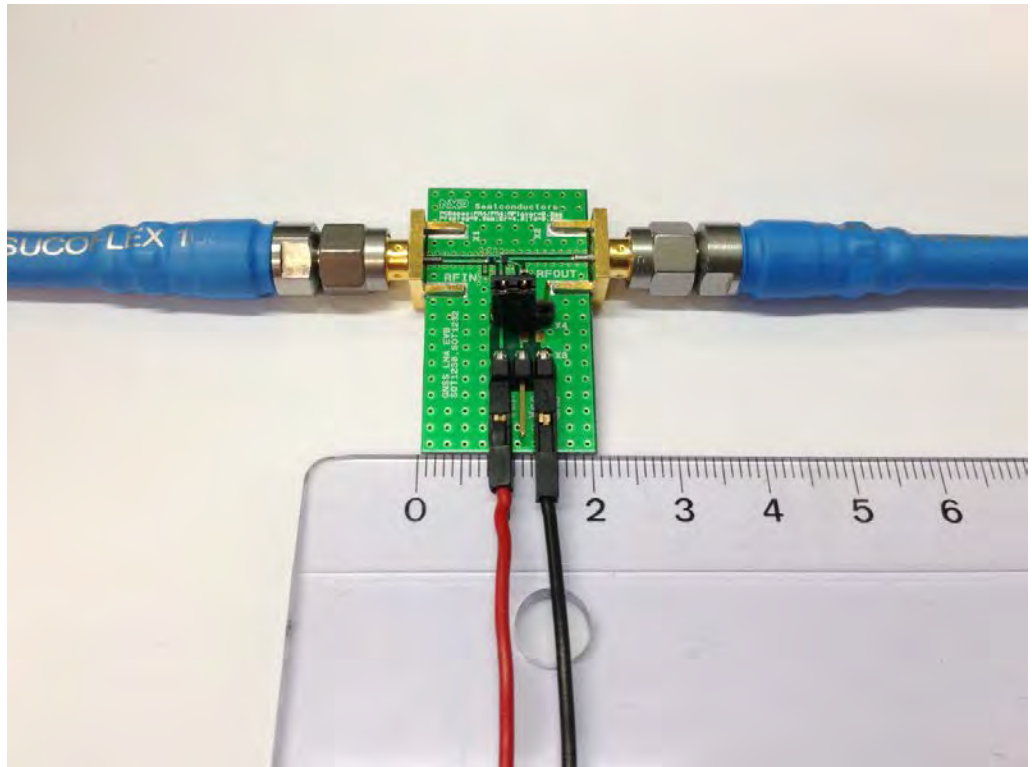


Fig 5. Evaluation board including its connections

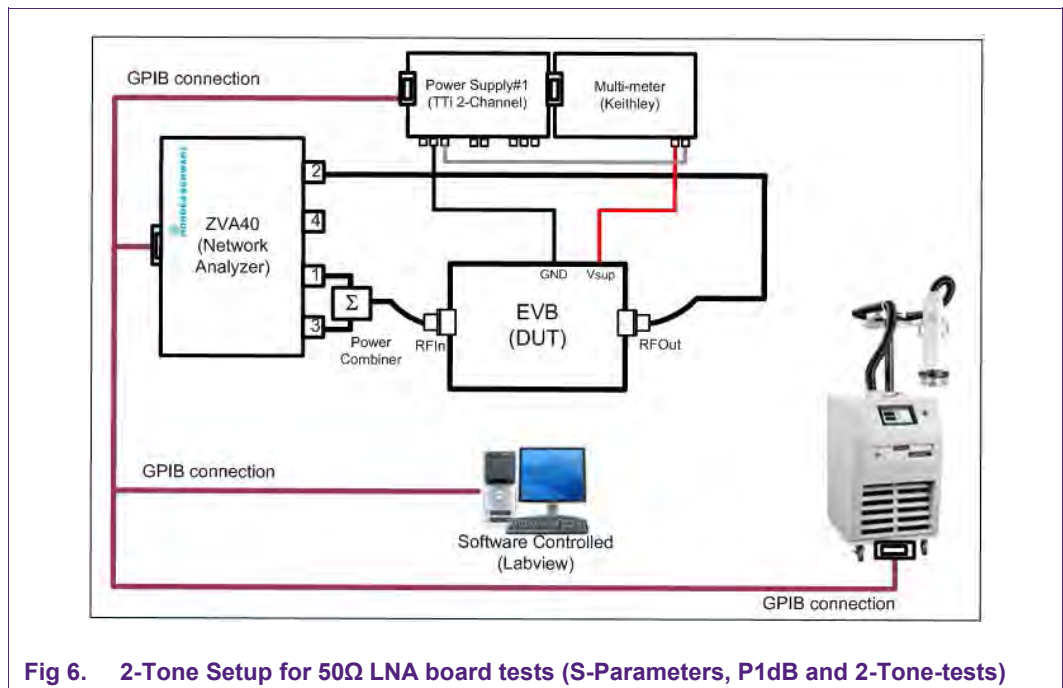


Fig 6. 2-Tone Setup for 50Ω LNA board tests (S-Parameters, P1dB and 2-Tone-tests)

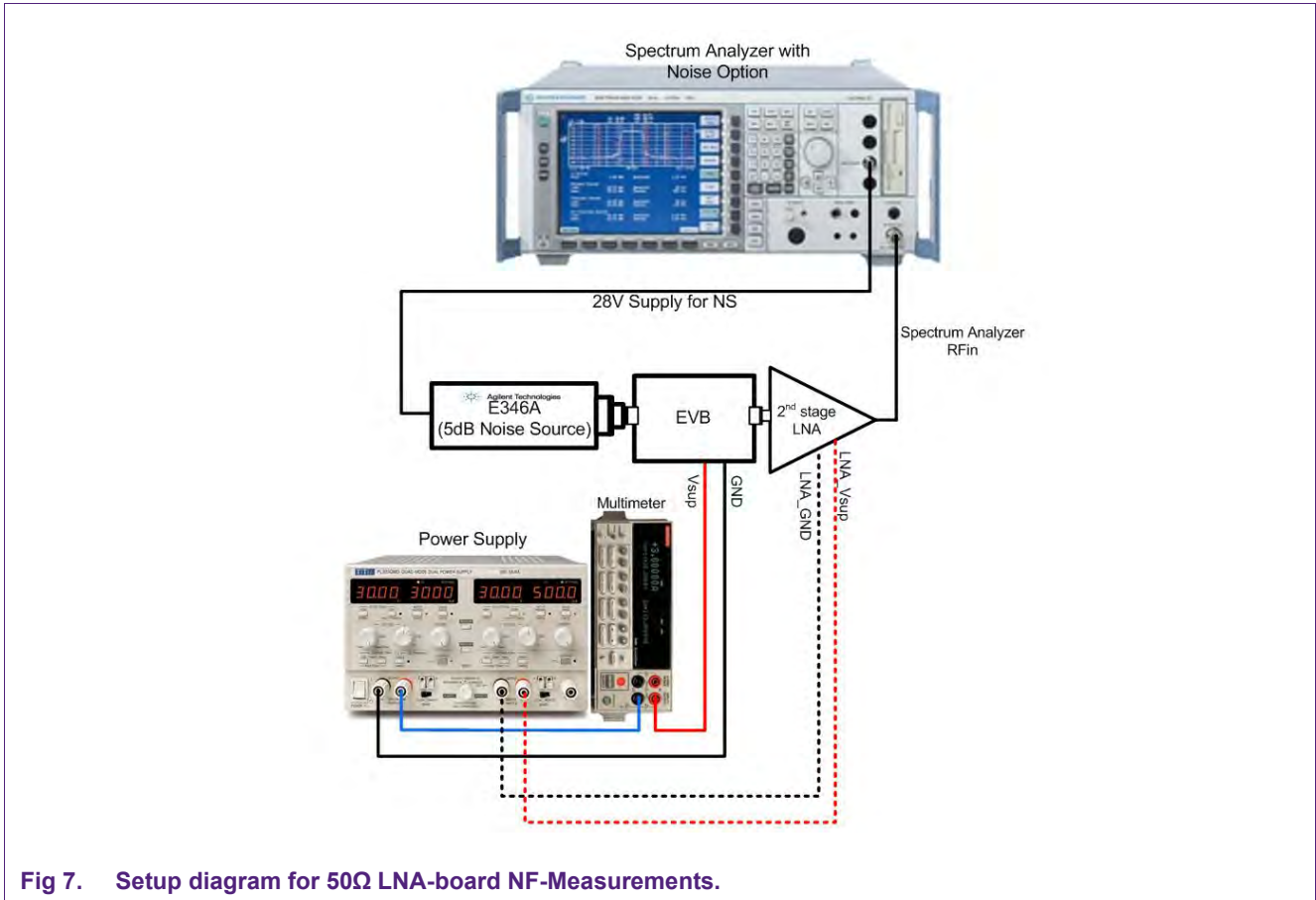


Fig 7. Setup diagram for 50Ω LNA-board NF-Measurements.

7. Evaluation Board Tests

7.1 S-Parameters

The measured S-Parameters and stability factor K are given in the figures below. For the measurements, a BGU8L1-LNA EVB is used ((see Fig 5). Measurements have been carried out using the setup shown in Fig 6.

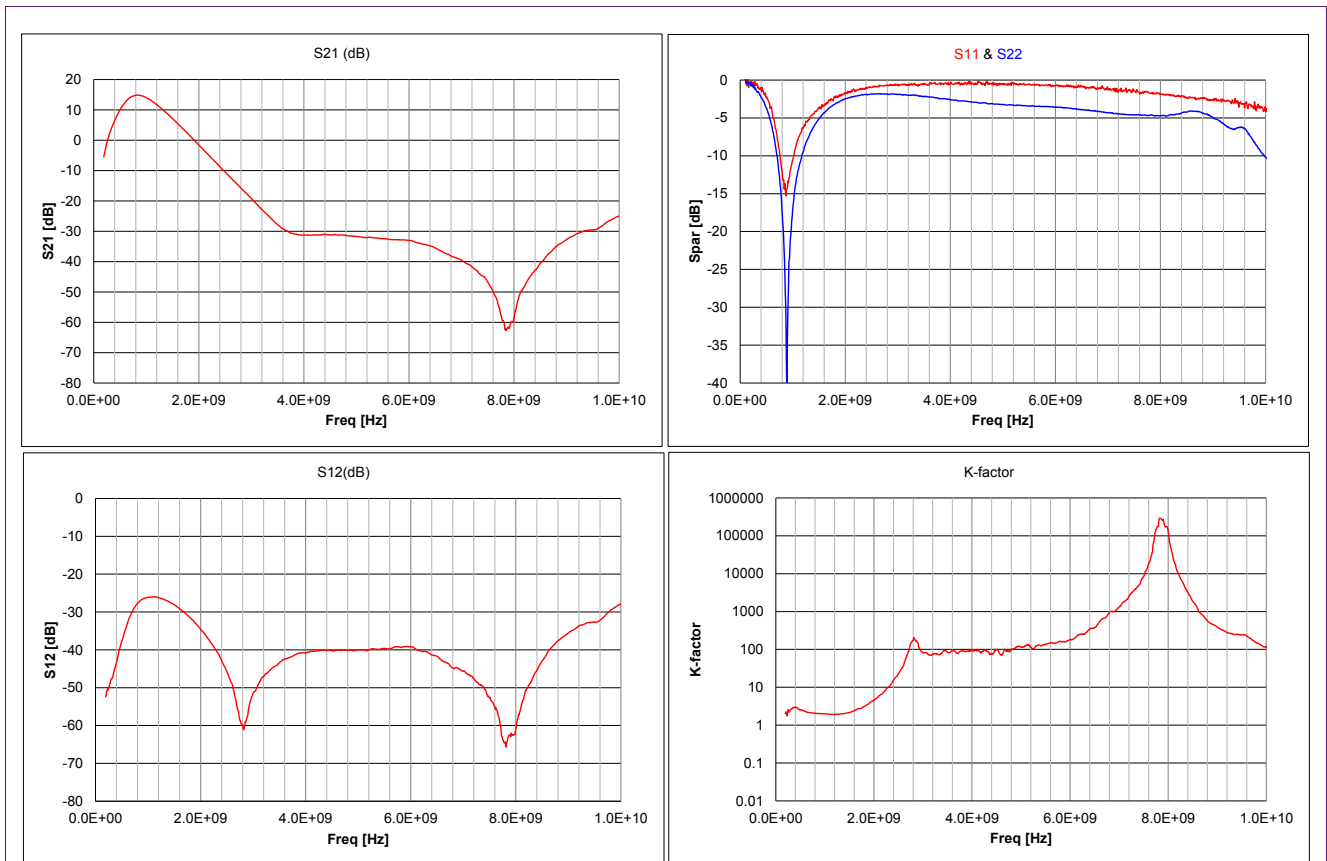


Fig 8. BGU8L1 S-Parameters (typical values). Vcc=2.8V, Pin=-45dBm.

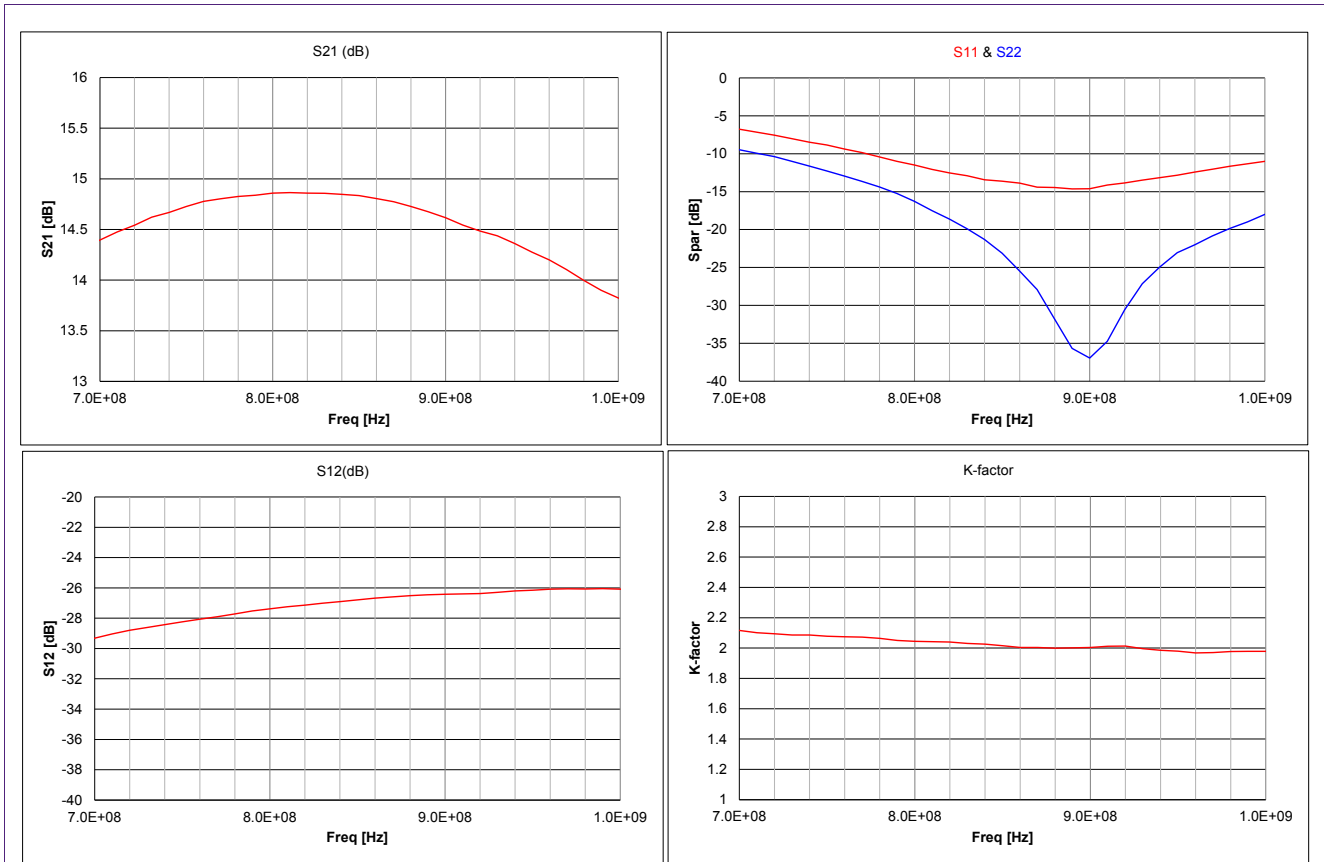


Fig 9. BGU8L1 S-Parameters (typical values). Vcc=2.8V, Pin=-45dBm (freq. range zoomed in).

7.2 1dB gain compression

Strong in-band cell phone TX jammers can cause linearity problems and result in third-order intermodulation products in the LTE frequency band. In this chapter the effects of these strong signals is shown. For the measurements, a BGU8L1-LNA EVB is used ((see Fig 5). Measurements have been carried out using the setup shown in Fig 6

The gain as function of input power of the DUT was measured between port RFin and RFout of the EVB at the LTE center frequencies.

The figures below show the gain compression curves at LNA-board.

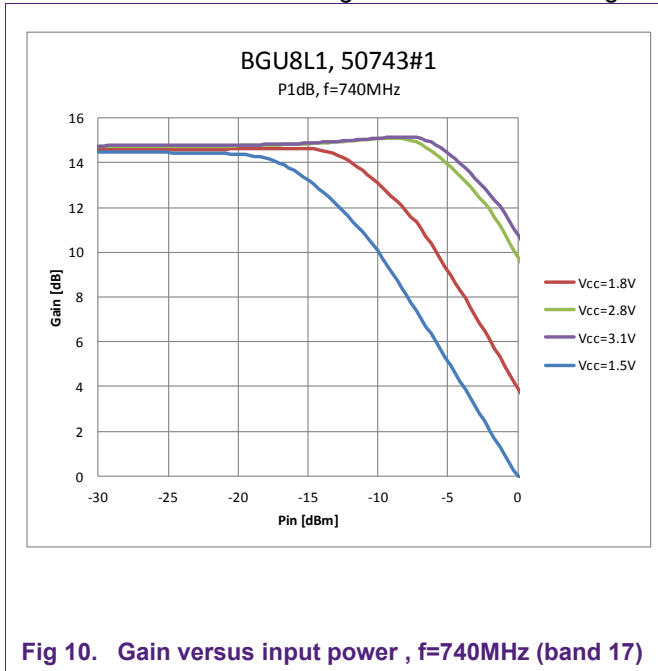


Fig 10. Gain versus input power , f=740MHz (band 17)

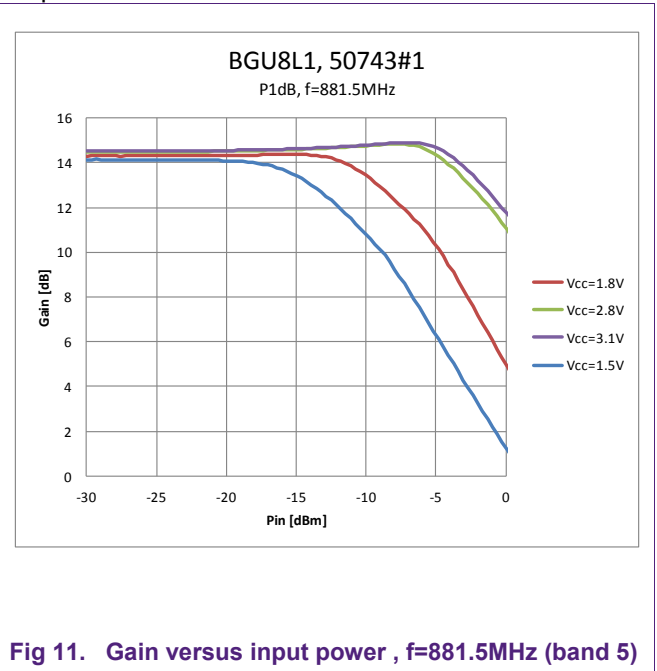


Fig 11. Gain versus input power , f=881.5MHz (band 5)

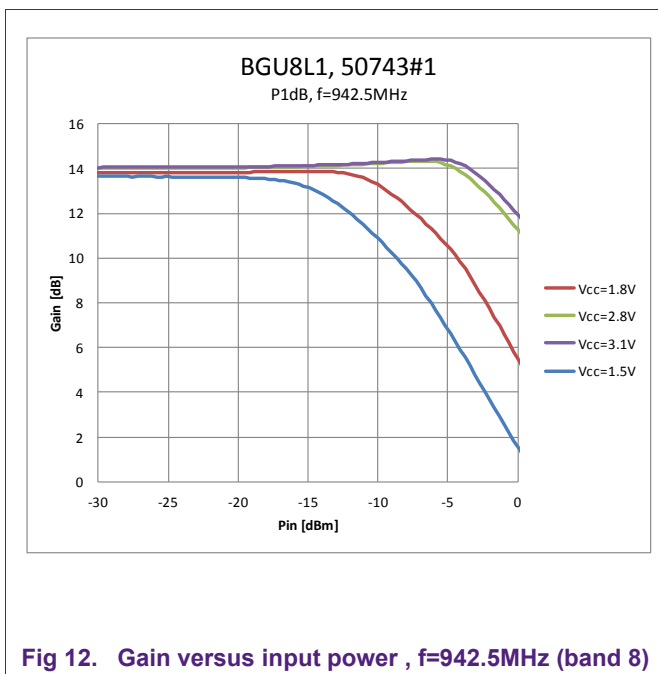


Fig 12. Gain versus input power , f=942.5MHz (band 8)

7.3 2-Tone Test

The figures below show the spectra of the DUT caused by a 2-Tone input signal around the centre of the LTE-bands. For the measurements, a BGU8L1-LNA EVB is used ((see Fig 5). Measurements have been carried out using the setup shown in Fig 6.

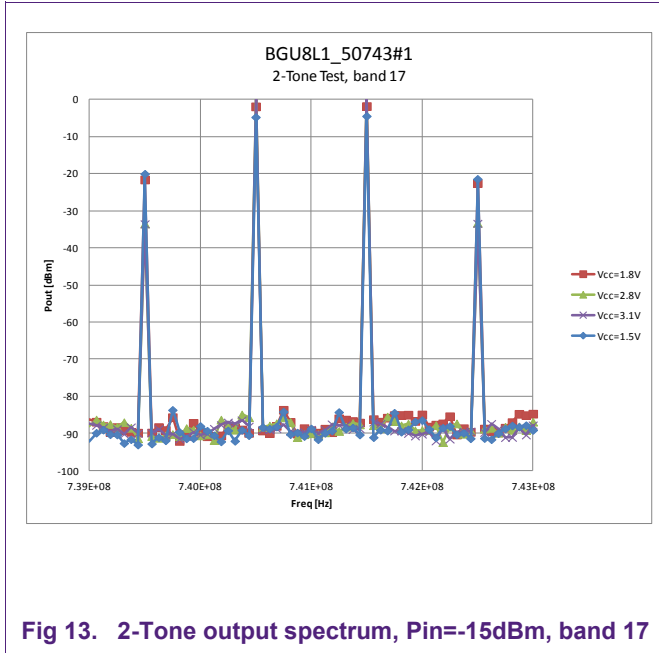


Fig 13. 2-Tone output spectrum, Pin=-15dBm, band 17

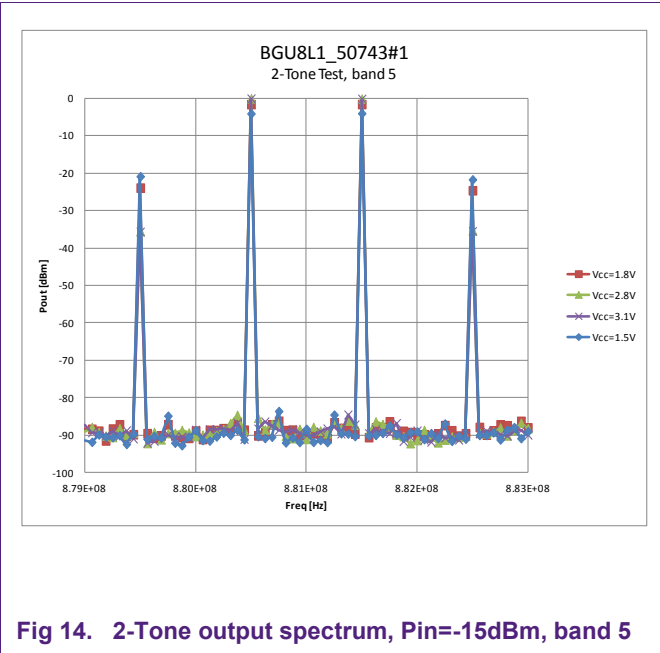


Fig 14. 2-Tone output spectrum, Pin=-15dBm, band 5

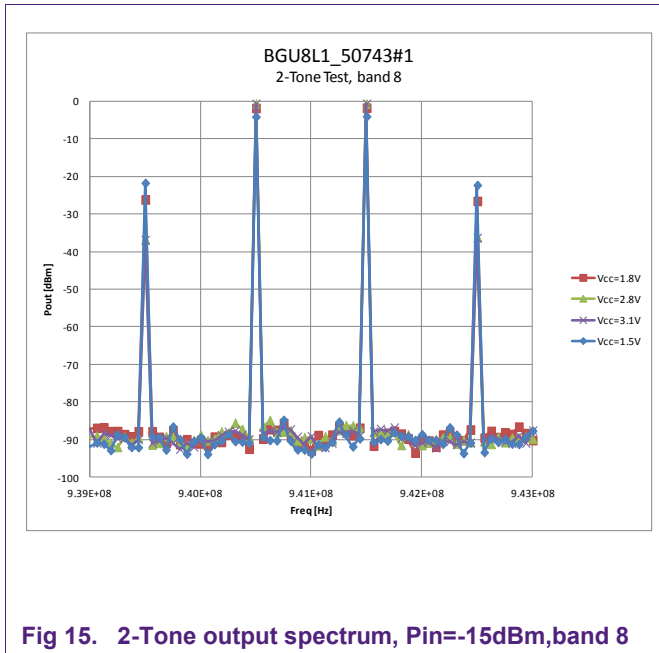


Fig 15. 2-Tone output spectrum, Pin=-15dBm, band 8

7.4 Enable Timing Test

The following diagram shows the setup to test LNA Turn ON and Turn OFF time.

Set the waveform generator to square mode and the output amplitude at 3Vrms with high output impedance. The waveform generator has adequate output current to drive the LNA therefore no extra DC power supply is required which simplifies the test setup.

Set the RF signal generator output level to -20dBm at a frequency between 728 MHz to 960 MHz and increase its level until the output DC on the oscilloscope is at 5mV on 1mV/division, the signal generator RF output level is approximately -3dBm.

It is very important to keep the cables as short as possible at input and output of the LNA so the propagation delay difference on cables between the two channels is minimized.

It is also critical to set the oscilloscope input impedance to 50ohm on channel 2 so the diode detector can discharge quickly to avoid a false result on the Turn OFF time testing.

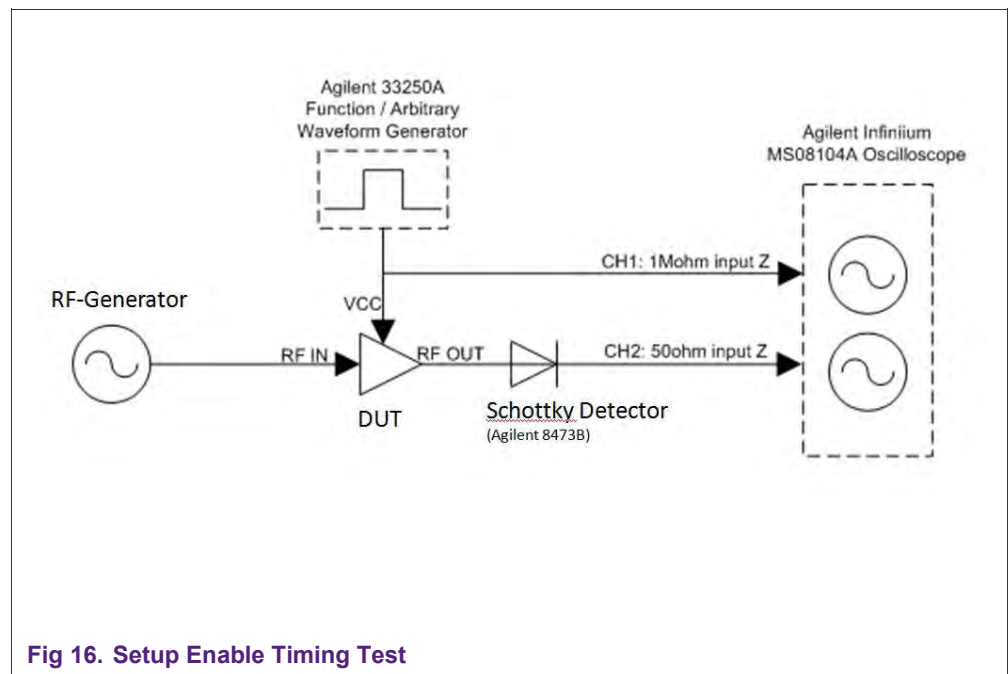
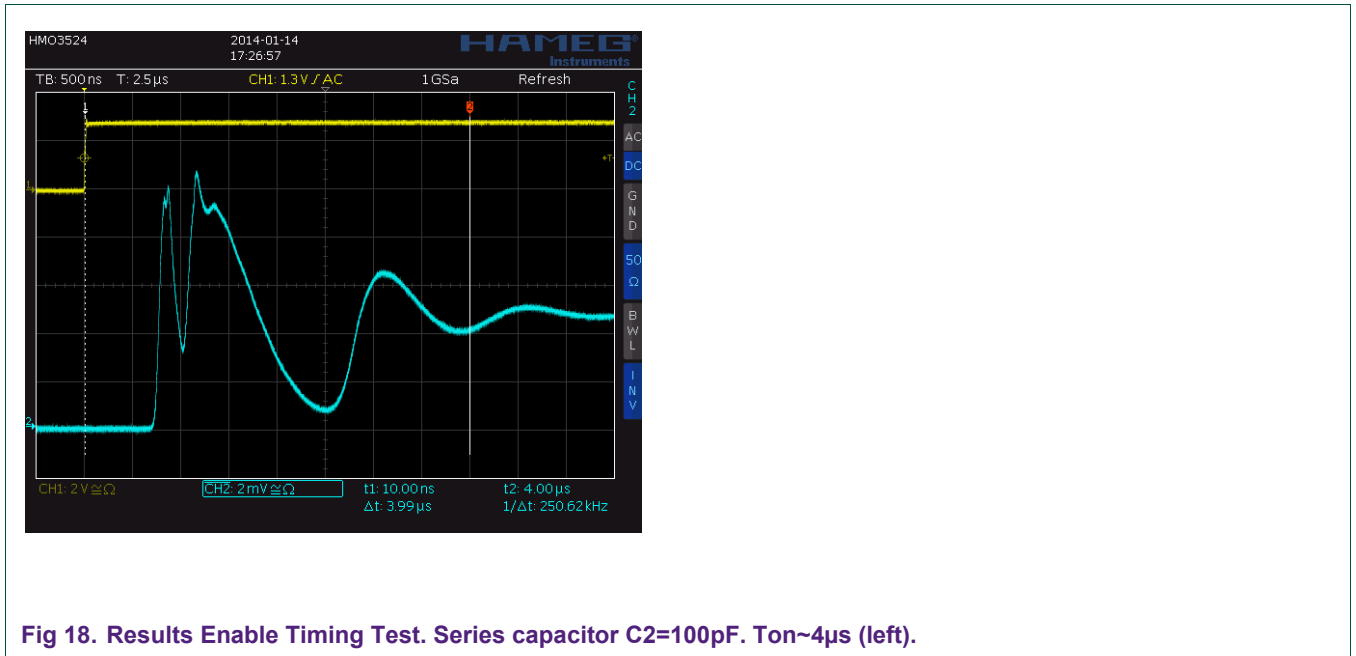
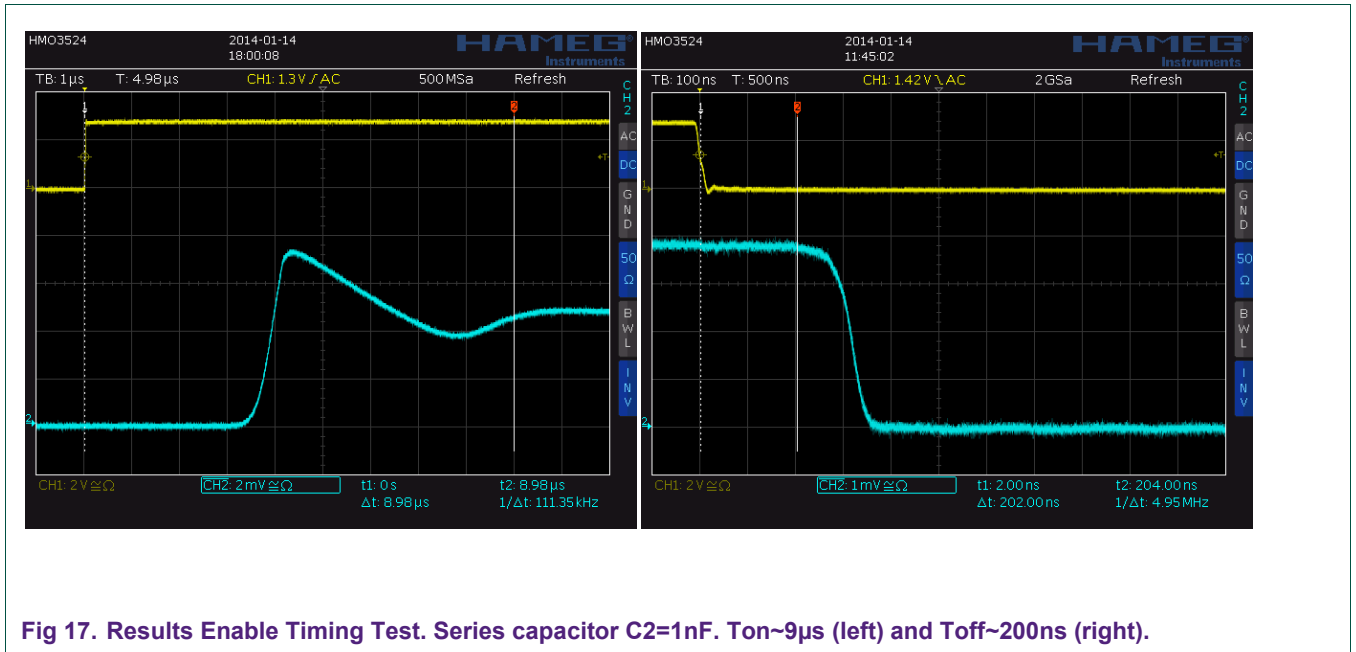


Fig 16. Setup Enable Timing Test

The series capacitor will influence the Ton/Toff switching time. When the default value C2=1nF is used, Ton will approximately be 9us. By reducing C2 to 100pF, Ton is reduced to approximately 4µs (see Fig 17 and Fig 18).



8. Typical LNA evaluation board results

Table 2. Typical results measured on the evaluation Board.

		Typical LNA evaluation board results Temp = 25 °C							
Parameter	Freq. [MHz]	Symbol					Unit	Notes	
			Supply Voltage		Vcc	1.5			1.8
Supply Current		Icc	4.2	4.2	4.6	4.8	mA		
Noise Figure	740	NF	0.75	0.75	0.75	0.75	dB	[1]	
	880		0.75	0.75	0.75	0.75			
	940		0.80	0.80	0.80	0.80			
Power Gain	740	Gp	14.5	14.5	14.5	14.8	dB		
	880		14.2	14.5	14.5	14.6			
	940		13.7	14.0	14.0	14.1			
Input Return Loss	740	RLin	9	9	9	9	dB		
	880		12	13	14	15			
	940		11	11	12	13			
Output Return Loss	740	RLout	12	12	12	12	dB		
	880		33	20	20	36			
	940		25	20	20	24			
Reverse Isolation	740	ISOrev	28	25	26	28	dB		
	880		26	25	26	27			
	940		26	25	26	26			
Input 1dB Gain Compression	740	Pi1dB	-15.6	-11.0	-5.0	-3.8	dBm		
	880		-14.3	-10.0	-3.0	-2.5			
	940		-13.5	-9.0	-3.0	-1.7			
Output 1dB Gain Compression	740	Po1dB	-2.0	2.5	8.5	10.0	dBm		
	880		-1.1	3.5	10.5	11.0			
	940		-0.7	4.0	10.0	11.4			
Input third order intercept point	740	IIP3	-5.5	-5.0	1.0	1.7	dBm	[2]	
	880		-5.1	-3.0	2.0	2.6			
	940		-4.9	-2.0	2.0	2.9			
Output third order intercept point	740	OIP3	9.0	9.5	15.5	16.5	dBm	[2]	
	880		9.1	11.5	16.5	17.2			
	940		8.9	12.0	16.0	17.1			
Power settling time		Ton	4	4	4	4	µs		
		Toff	1	1	1	1			
[1] Including PCB losses [2] f = f_center_band; Delta_f=1MHz Pin_f1 = Pin_f2 = -15 dBm									

9. Improved in band blocking performance modification

In some cases a strong in-band jamming signal is present, reducing the sensitivity. This in band blocking test case is illustrated below in Fig 19. A jamming signal causes an increase of the noise-floor closely around the jamming frequency, which reduces the sensitivity for a wanted signal overlapping with the noise band.

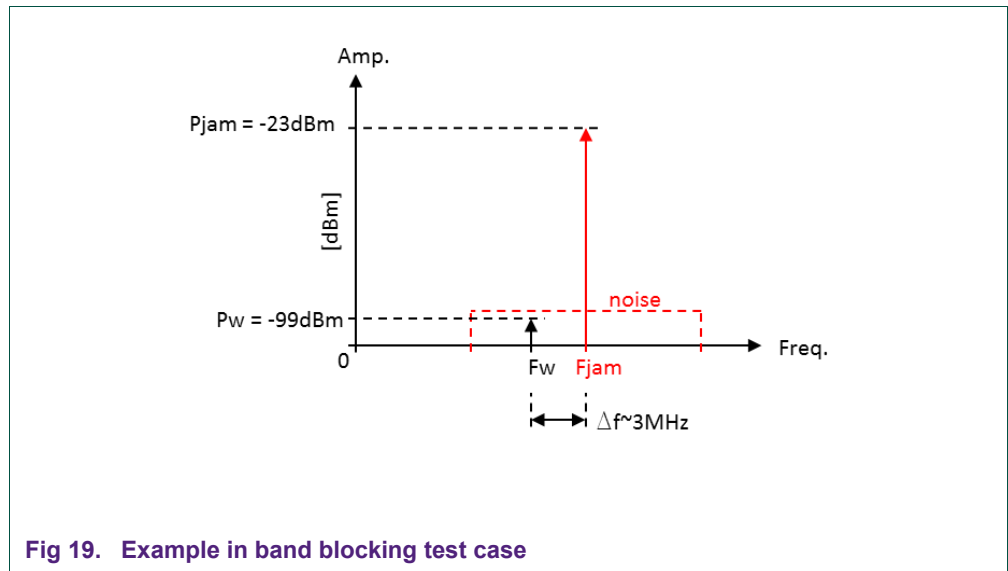


Fig 19. Example in band blocking test case

A solution is to make a low impedance path for low frequencies at the input of the LNA. This can be done by an additional shunt inductor L2 with a high value, as shown in the circuit of Fig 20 and board detail in Fig 21 (L1 and C2 have been swapped compared with Fig 2 to avoid a DC-path between RFin and GND). For L2 a Murata LQW15 wire wound inductor with a value of 120nH is used.

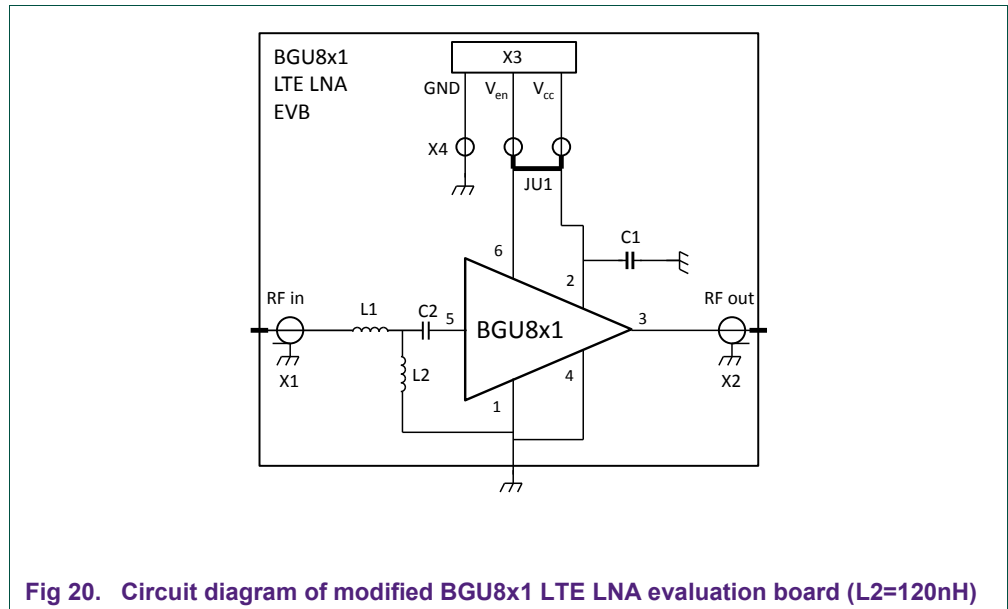


Fig 20. Circuit diagram of modified BGU8x1 LTE LNA evaluation board (L2=120nH)

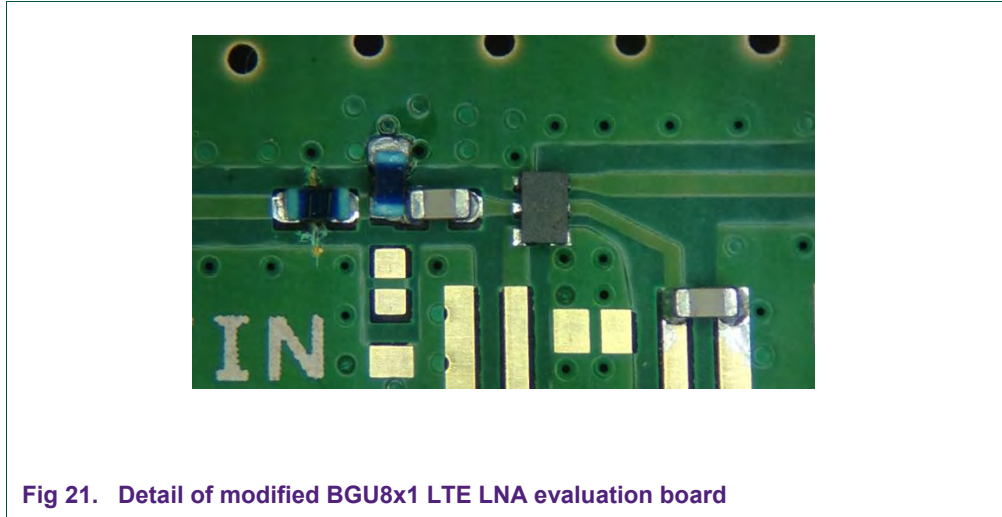
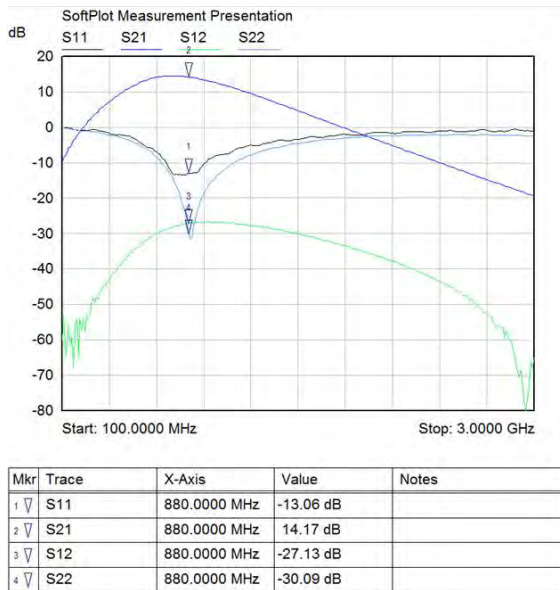


Fig 21. Detail of modified BGU8x1 LTE LNA evaluation board

The measured performance is given in Fig 22 and Table 3. The Gain is almost the same and the NF is increased by 0.1dB.

EVB 95213#5
Vcc=2.8V, Default match.



EVB 95213#5
Vcc=2.8V, Modified input.

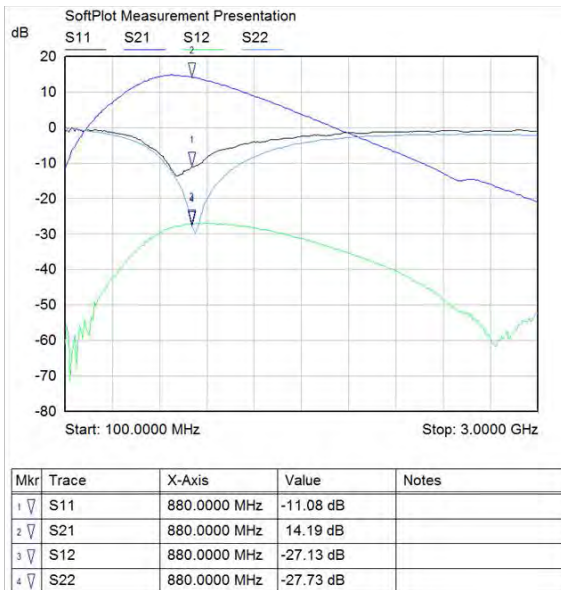


Fig 22. Measured performance modified BGU8x1 LTE LNA evaluation board

Table 3. Typical results measured on the modified evaluation Board.

		Typical LNA evaluation board results								
Temp [°C]	25	BGU8L1_95213								
P_Spar [dBm]	-45	2 EVB's								
Parameter	Freq. [MHz]	Symbol	Default typ	L2=120nH typ	Delta typ	Default typ	L2=120nH typ	Delta typ	Unit	Notes
Supply Voltage		Vcc	1.80V	1.80V	1.80V	2.80V	2.80V	2.80V	V	
Noise Figure	740	NF							dB	
	880		0.88	1.00	0.12	0.86	0.98	0.12		
	940									
Power Gain	740	Gp	14.4	14.5	0.2	14.6	14.7	0.2	dB	
	880		14.0	13.9	0.0	14.2	14.2	0.0		
	940		13.5	13.3	-0.2	13.8	13.6	-0.3		
Input Return Loss	740	RLin	10.1	11.1	1.0	10.3	11.1	0.8	dB	
	880		12.6	10.6	-2.0	13.7	11.5	-2.2		
	940		11.0	9.4	-1.6	11.9	10.2	-1.7		
Output Return Loss	740	RLout	11.7	11.7	0.0	11.8	11.8	0.0	dB	
	880		26.8	26.8	0.0	27.4	27.6	0.3		
	940		26.9	27.9	1.0	26.0	26.7	0.7		
Reverse Isolation	740	ISOrev	28.4	28.3	-0.1	28.4	28.4	0.0	dB	
	880		27.1	27.0	-0.1	27.2	27.1	-0.1		
	940		26.9	27.0	0.1	26.9	27.0	0.2		
Input 1dB Gain Compression	740	Pi1dB	-10.4	-10.2	0.1	-4.0	-4.3	-0.3	dBm	
	880		-9.0	-8.6	0.4	-2.6	-2.7	0.0		
	940		-8.1	-7.6	0.5	-1.8	-1.7	0.1		
Output 1dB Gain Compression	740	Po1dB	3.0	3.3	0.3	9.6	9.4	-0.1	dBm	
	880		4.0	4.3	0.3	10.6	10.5	-0.1		
	940		4.4	4.7	0.2	11.0	10.9	-0.1		
Input third order intercept point (average lsb&usb)	740	IIP3	-2.7	-3.6	-0.9	-1.7	-2.8	-1.0	dBm	
	880		-2.3	-2.9	-0.6	-1.7	-2.3	-0.6		
	940		-2.0	-2.3	-0.3	-1.3	-1.8	-0.4		
Output third order intercept point (average lsb&usb)	740	OIP3	11.8	11.1	-0.7	12.9	12.2	-0.8	dBm	
	880		11.7	11.1	-0.6	12.6	11.9	-0.6		
	940		11.5	11.1	-0.5	12.5	11.9	-0.6		

Note: Noise Figure is including PCB losses.

10. Legal information

10.1 Definitions

Draft — The document is a draft version only. The content is still under internal review and subject to formal approval, which may result in modifications or additions. NXP Semiconductors does not give any representations or warranties as to the accuracy or completeness of information included herein and shall have no liability for the consequences of use of such information.

10.2 Disclaimers

Limited warranty and liability — Information in this document is believed to be accurate and reliable. However, NXP Semiconductors does not give any representations or warranties, expressed or implied, as to the accuracy or completeness of such information and shall have no liability for the consequences of use of such information. NXP Semiconductors takes no responsibility for the content in this document if provided by an information source outside of NXP Semiconductors.

In no event shall NXP Semiconductors be liable for any indirect, incidental, punitive, special or consequential damages (including - without limitation - lost profits, lost savings, business interruption, costs related to the removal or replacement of any products or rework charges) whether or not such damages are based on tort (including negligence), warranty, breach of contract or any other legal theory.

Notwithstanding any damages that customer might incur for any reason whatsoever, NXP Semiconductors' aggregate and cumulative liability towards customer for the products described herein shall be limited in accordance with the Terms and conditions of commercial sale of NXP Semiconductors.

Right to make changes — NXP Semiconductors reserves the right to make changes to information published in this document, including without limitation specifications and product descriptions, at any time and without notice. This document supersedes and replaces all information supplied prior to the publication hereof.

Suitability for use — NXP Semiconductors products are not designed, authorized or warranted to be suitable for use in life support, life-critical or safety-critical systems or equipment, nor in applications where failure or malfunction of an NXP Semiconductors product can reasonably be expected to result in personal injury, death or severe property or environmental damage. NXP Semiconductors and its suppliers accept no liability for inclusion and/or use of NXP Semiconductors products in such equipment or applications and therefore such inclusion and/or use is at the customer's own risk.

Applications — Applications that are described herein for any of these products are for illustrative purposes only. NXP Semiconductors makes no representation or warranty that such applications will be suitable for the specified use without further testing or modification.

Customers are responsible for the design and operation of their applications and products using NXP Semiconductors products, and NXP Semiconductors accepts no liability for any assistance with applications or customer product design. It is customer's sole responsibility to determine whether the NXP Semiconductors product is suitable and fit for the customer's applications and products planned, as well as for the planned application and use of customer's third party customer(s). Customers should provide appropriate design and operating safeguards to minimize the risks associated with their applications and products.

NXP Semiconductors does not accept any liability related to any default, damage, costs or problem which is based on any weakness or default in the customer's applications or products, or the application or use by customer's third party customer(s). Customer is responsible for doing all necessary testing for the customer's applications and products using NXP Semiconductors products in order to avoid a default of the applications and the products or of the application or use by customer's third party customer(s). NXP does not accept any liability in this respect.

Export control — This document as well as the item(s) described herein may be subject to export control regulations. Export might require a prior authorization from national authorities.

Evaluation products — This product is provided on an "as is" and "with all faults" basis for evaluation purposes only. NXP Semiconductors, its affiliates and their suppliers expressly disclaim all warranties, whether express, implied or statutory, including but not limited to the implied warranties of non-infringement, merchantability and fitness for a particular purpose. The entire risk as to the quality, or arising out of the use or performance, of this product remains with customer.

In no event shall NXP Semiconductors, its affiliates or their suppliers be liable to customer for any special, indirect, consequential, punitive or incidental damages (including without limitation damages for loss of business, business interruption, loss of use, loss of data or information, and the like) arising out of the use of or inability to use the product, whether or not based on tort (including negligence), strict liability, breach of contract, breach of warranty or any other theory, even if advised of the possibility of such damages.

Notwithstanding any damages that customer might incur for any reason whatsoever (including without limitation, all damages referenced above and all direct or general damages), the entire liability of NXP Semiconductors, its affiliates and their suppliers and customer's exclusive remedy for all of the foregoing shall be limited to actual damages incurred by customer based on reasonable reliance up to the greater of the amount actually paid by customer for the product or five dollars (US\$5.00). The foregoing limitations, exclusions and disclaimers shall apply to the maximum extent permitted by applicable law, even if any remedy fails of its essential purpose.

10.3 Trademarks

Notice: All referenced brands, product names, service names and trademarks are property of their respective owners.

11. List of figures

Fig 1.	BGU8x1 LTE LNA evaluation board (used for BGU8L1, BGU8M1 and BGU8H1).....	3
Fig 2.	Circuit diagram of the BGU8x1 LNA evaluation board (used for BGU8L1, BGU8M1 and BGU8H1)	4
Fig 3.	Printed-Circuit Board layout of the BGU8x1LNA evaluation board (used for BGU8L1, BGU8M1 and BGU8H1)	5
Fig 4.	Stack of the PCB material	5
Fig 5.	Evaluation board including its connections	8
Fig 6.	2-Tone Setup for 50Ω LNA board tests (S-Parameters, P1dB and 2-Tone-tests)	8
Fig 7.	Setup diagram for 50Ω LNA-board NF-Measurements.	9
Fig 8.	BGU8L1 S-Parameters (typical values). Vcc=2.8V, Pin=-45dBm.....	10
Fig 9.	BGU8L1 S-Parameters (typical values). Vcc=2.8V, Pin=-45dBm (freq. range zoomed in).	11
Fig 10.	Gain versus input power , f=740MHz (band 17)	12
Fig 11.	Gain versus input power , f=881.5MHz (band 5)	12
Fig 12.	Gain versus input power , f=942.5MHz (band 8)	12
Fig 13.	2-Tone output spectrum, Pin=-15dBm, band 17	13
Fig 14.	2-Tone output spectrum, Pin=-15dBm, band 5	13
Fig 15.	2-Tone output spectrum, Pin=-15dBm,band 8	13
Fig 16.	Setup Enable Timing Test.....	14
Fig 17.	Results Enable Timing Test. Series capacitor C2=1nF. Ton~9μs (left) and Toff~200ns (right).	15
Fig 18.	Results Enable Timing Test. Series capacitor C2=100pF. Ton~4μs (left).....	15
Fig 19.	Example in band blocking test case	17
Fig 20.	Circuit diagram of modified BGU8x1 LTE LNA evaluation board (L2=120nH)	17
Fig 21.	Detail of modified BGU8x1 LTE LNA evaluation board.....	18
Fig 22.	Measured performance modified BGU8x1 LTE LNA evaluation board	18

12. List of tables

Table 1. BOM of the BGU8L1 LTE LNA evaluation board6

Table 2. Typical results measured on the evaluation Board. 16

Table 3. Typical results measured on the modified evaluation Board. 19

13. Contents

1.	Introduction	3
2.	General description.....	4
3.	BGU8L1 LTE LNA evaluation board	4
3.1	Application Circuit	4
3.2	PCB Layout.....	5
4.	Bill of materials.....	6
4.1	BGU8L1	6
4.2	Series inductor	6
5.	Required Equipment	7
6.	Connections and setup.....	7
7.	Evaluation Board Tests	10
7.1	S-Parameters	10
7.2	1dB gain compression.....	12
7.3	2-Tone Test.....	13
7.4	Enable Timing Test	14
8.	Typical LNA evaluation board results	16
9.	Improved in band blocking performance modification	17
10.	Legal information	20
10.1	Definitions	20
10.2	Disclaimers.....	20
10.3	Trademarks	20
11.	List of figures.....	21
12.	List of tables	22
13.	Contents.....	23

Please be aware that important notices concerning this document and the product(s) described herein, have been included in the section 'Legal information'.

© NXP B.V. 2016.

All rights reserved.

For more information, visit: <http://www.nxp.com>

For sales office addresses, please send an email to: salesaddresses@nxp.com

Date of release: 15 January 2016

Document identifier: AN11512