

# Differences Between S32K11x and S32K142

by: NXP Semiconductors

## 1 Introduction

This application note shows the differences between S32K11x and S32K142 to facilitate code migrations and focuses on the differences/considerations the users must keep in mind to make applications compatible in both Microcontroller Units (MCUs).

Although both MCUs have different cores, the two share many modules in common with some differences that are reviewed through the sections.

## 2 Overview

The S32K11x is the predecessor of the S32K142. The main difference between the two chips is that the S32K11x contains a Cortex-M0<sup>®</sup>+ and the S32K142 includes a Cortex-M4F<sup>®</sup>. S32K11x has smaller memory options than S32K142.

The two chips have a 64QFP and 48QFP packages option, so this makes both chips to be pin to pin compatible and facilitates the code migration process.

## 3 Programming and debug

The Integrated Development Environment (IDEs) such as S32 Design Studio (GCC) + SDK, IAR, GHS, COSMIC, Lauterbach and iSystems can be used to program and debug the two chips. S32K142 supports JTAG and SWD protocols while S32K11x only supports SWD.

## 4 Core and system differences

The S32K11x contains a Cortex-M0+ with a Von Neumann architecture and the S32K142 contains a Cortex-M4F with a Harvard architecture as all the S32K14x chips. The Cortex-M0+ implements a binary compatible subset of the instruction set and features provided by the Cortex-M4F. The software can be moved, including system level software from the Cortex-M0+ to the Cortex-M4F. The difference in the core involves important changes in the interrupt map, the architecture between core and memories, and some features that are shown in the following table:

Table 1. Core and system differences

Feature	S32K116	S32K118	S32K142
Core	Cortex-M0+		Cortex-M4F

Table continues on the next page...

### Contents

- [1 Introduction..... 1](#)
- [2 Overview..... 1](#)
- [3 Programming and debug..... 1](#)
- [4 Core and system differences..... 1](#)
  - [4.1 Core and system considerations..... 3](#)
- [5 Memory..... 3](#)
  - [5.1 Internal connections..... 3](#)
  - [5.2 Memory address..... 4](#)
- [6 Peripherals..... 5](#)
  - [6.1 Peripherals considerations..... 5](#)
- [7 Interrupt map..... 6](#)
- [8 Software consideration when migrating between S32K142 and S32K11x..... 6](#)
- [9 Revision history..... 6](#)

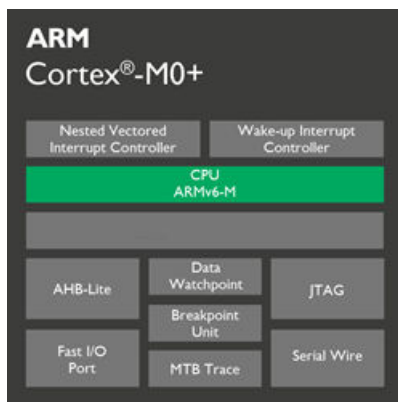


**Table 1. Core and system differences (continued)**

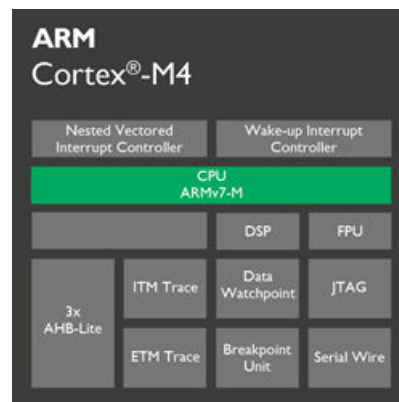
Feature	S32K116	S32K118	S32K142
Bus clock frequency	Up to 48MHz		Up to 112 MHz
System clock generator (SCG)	OSC,FIRC, SIRC		OSC,FIRC, SIRC, PLL
IEE-754 FBU	Not available		Available
IOPORT	Available		Not available
HSRUN mode	Not available		Available
External Watchdog Monitor(EWM)	Not available		Available, with external monitor pin
FIRC Clock Monitor Unit	Available		Not available
Hardware watchdog	Available		Available
Digital Signal Processor (DSP)	Not available		Available
Instruction set	ARMv-6 Thumb Instruction set		ARMv-7 Thumb Instruction set
System Interface	Single 32-bit AMB A-3 AHB-Lite system interface		Advanced AHB-Lite system interface
Floating-Point Unit	Not available		Available
Serial Wire Viewer (SWV)	Not available		Available
Trace	Memory Trace Buffer (MTB) (1K)		TracePort Interface Unit (TPIU)
Number of I/Os	Up to 43	Up to 58	Up to 89

The following table shows the Cortex-M0+ and Cortex-M4F block diagrams:

**Table 2. Block Diagrams**



**Figure 1. Cortex-M0+ Block Diagram**



**Figure 2. Cortex-M4F Block Diagram**

## 4.1 Core and system considerations

The Memory Protection Unit (MPU) is not included in the core. In these two MCUs, this module is external to the Cores.

## 5 Memory

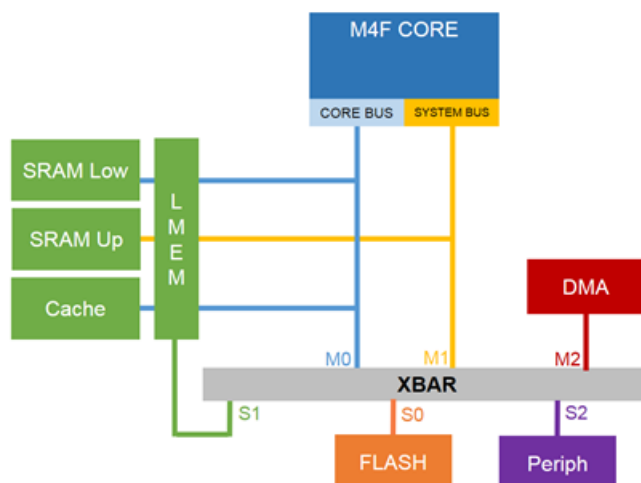
The S32K11x and S32K142 share the same memory type, but have different sizes in the P-Flash, D-Flash and FlexRAM as shown in the [Table 3](#). The memory structure changes from the S32K142 to S32K11x. The communication between CPU and the memories is different. For S32K11x, the SRAM\_L is used to store the MTB, but it can be used as SRAM without ECC protection.

**Table 3. Memory size**

Chip	P-Flash	SRAM	ECC Protection	FlexRAM	D-Flash	Cache
<b>S32K116</b>	128 KB	15 KB	SRAM_U, PFlash and DFlash	2 KB	32 KB	Not available
<b>S32K118</b>	256 KB	23 KB	SRAM_U, PFlash and DFlash	2 KB	32 KB	Not available
<b>S32K142</b>	256 KB	28 KB	SRAM_U, SRAM_L, PFlash and DFlash	4 KB	64 KB	4 KB

### 5.1 Internal connections

The communication of the Core with the different types of memory changes between the S32K142 and the S32K11x. As the S32K11x has the memory trace buffer feature, the Core has a direct connection to the SRAM\_L which is used to the MTB.



**Figure 3. S32K142 internal connections of memory**

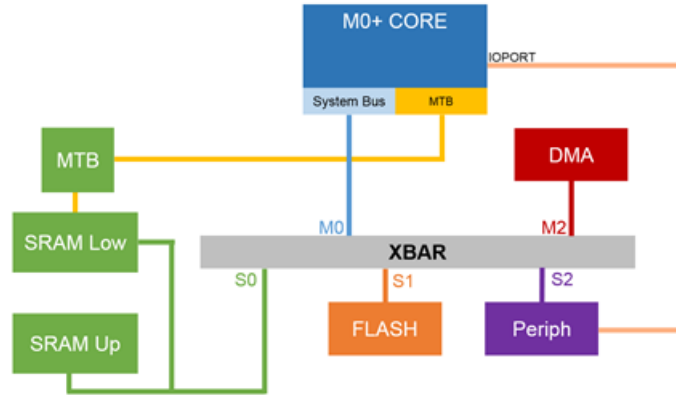


Figure 4. S32K11x internal connections of memory

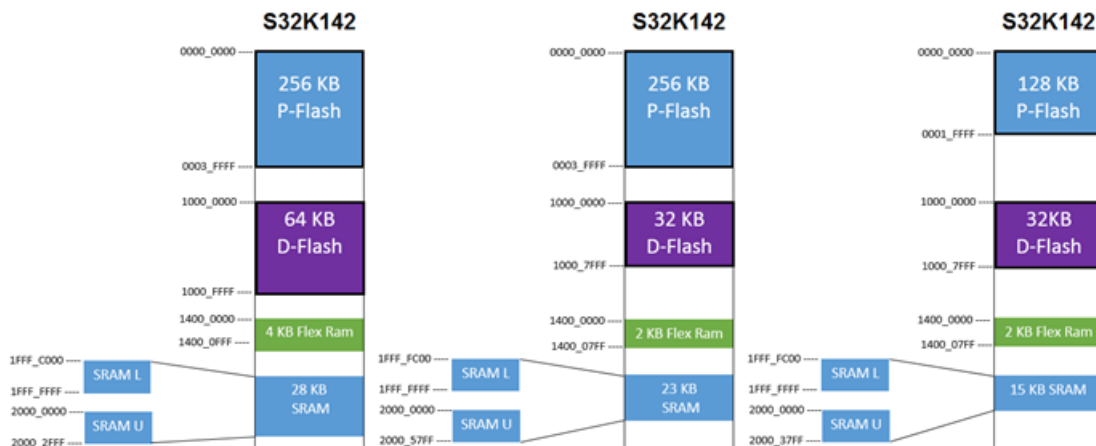
## 5.2 Memory address

As the memory size has changed, the start and the end of the address of each type of memory has changed as well. The [Table 4](#) shows the start/end of the address of each type of memory.

Memory Type		S32K116	S32K118	S32K142
P-Flash	Start Address	0000_0000	0000_0000	0000_0000
	End Address	0001_FFFF	0003_FFFF	0003_FFFF
SRAM L	Start Address	1FFF_FC00	1FFF_FC00	1FFF_C000
	End Address	1FFF_FFFF	1FFF_FFFF	1FFF_FFFF
SRAM U	Start Address	2000_0000	2000_0000	2000_0000
	End Address	2000_37FF	2000_57FF	2000_2FFF
D-Flash	Start Address	1000_0000	1000_0000	1000_0000
	End Address	1000_7FFF	1000_7FFF	1000_FFFF
FlexRAM	Start Address	1400_0000	1400_0000	1400_0000
	End Address	1400_07FF	1400_07FF	1400_0FFF
CSE_PRAM	Start Address	1400_0800	1400_0800	1400_1000
	End Address	1400_087F	1400_087F	1400_107F

The following image illustrates the differences in memory of these three MCUs. In S32K11x, the SRAM\_Low is used to store the MTB so the whole SRAM size is placed in the SRAM\_Upper.

Figure 5. S32K142 internal connections of memory



## 6 Peripherals

The peripherals have the same features and functionality, the difference is the number of instances per module are reflected in the following table.

Table 4. Peripherals

Modules	S32K116	S32K118	S32K142
FlexCAN (CAN-FD ISO/CD 1 1898-1)	1 (CAN-FD supported)		2 (1x CAN-FD supported)
FlexTimer (16-bit counter) 8 channels	2x		4x
Programmable Delay Block (PDB)	1x		2x
1 2-bit SAR ADC (1 MSPS each)	1x (13)	1x (16)	2x (16)
Low-power SPI	1x	2x	2x

### 6.1 Peripherals considerations

- DMA for S32K11x only supports 4 channels while DMA for S32K142 supports 16.
  - For S32K11x variants, when executing a large, zero wait-stated memory-to-memory transfer, insert bandwidth control using the TCD\_CSR[BWC] bit to avoid:
    - Starvation of another master accessing the memory,
    - Any delay un writing a TCD during the transfer.
- In the S32K116 and S32K118 the PTB13 does not have the ADC functionality. The ADC for S32K116 only supports 13 channels per instance while S32K118 and S32K142 support 16 channels perinstance.
- FIRCclockmonitorddedduetoremovalofPLL.SinceFIRCisthemain system clocksource,ithasaCMUtomonitor the loss of clock.
- FIRCclockmonitorddedduetoremovalofPLL.SinceFIRCisthemain system clocksource,ithasaCMUtomonitor the loss of clock.

## 7 Interrupt map

The ways in the interrupts are handled in both chips involve important differences that come from the number of vectors supported on both Cores. The Cortex-M4F contained in the S32K142 supports 162 interrupts vectors while the Cortex-M0+ only supports 47, therefore, the interrupt vectors are allocated differently for each peripheral in both devices. For more details, refer to the interrupt map file attached in the RM.

## 8 Software consideration when migrating between S32K142 and S32K11x

The following considerations are needed to migrate an application from S32K142 to S32K11x:

- As a first consideration is to keep in mind that the frequency ranges are different in both MCUs; therefore, make sure your application runs properly in the S32K11x frequencies.
- Review if the size of the memory in the S32K11x is enough for your application.
- Reorganize the interrupt callbacks occurring due to the different interrupt vectors.
- In S32K11x, to disable FIRC or SIRC the user must disable the CMU, and then disable FIRC or SIRC.
- In S32K11x, the float point is not supported.
- The S32K11x does not have ECC on SRAM\_L.
- Keep in mind the [Core and system considerations](#) on page 3 and [Peripherals considerations](#) on page 5.

## 9 Revision history

Rev. No.	Date	Substantive Change(s)
0	June 2017	Initial version.
1	August 2017	Updated the following sections: <ol style="list-style-type: none"> <li>1. <a href="#">Overview</a> on page 1</li> <li>2. <a href="#">Core and system differences</a> on page 1</li> <li>3. <a href="#">Memory address</a> on page 4</li> <li>4. <a href="#">Peripherals</a> on page 5</li> </ol>
2	March 2018	Updated the following sections: <ol style="list-style-type: none"> <li>1. <a href="#">Core and system differences</a> on page 1</li> <li>2. <a href="#">Peripherals</a> on page 5</li> <li>3. <a href="#">Memory address</a> on page 4</li> <li>4. <a href="#">Interrupt map</a> on page 6</li> </ol>
3	July 2018	Updated <a href="#">Peripherals considerations</a> on page 5.



## How To Reach Us

### Home Page:

[nxp.com](http://nxp.com)

### Web Support:

[nxp.com/support](http://nxp.com/support)

Information in this document is provided solely to enable system and software implementers to use NXP products. There are no express or implied copyright licenses granted hereunder to design or fabricate any integrated circuits based on the information in this document. NXP reserves the right to make changes without further notice to any products herein.

NXP makes no warranty, representation, or guarantee regarding the suitability of its products for any particular purpose, nor does NXP assume any liability arising out of the application or use of any product or circuit, and specifically disclaims any and all liability, including without limitation consequential or incidental damages. "Typical" parameters that may be provided in NXP data sheets and/or specifications can and do vary in different applications, and actual performance may vary over time. All operating parameters, including "typicals," must be validated for each customer application by customer's technical experts. NXP does not convey any license under its patent rights nor the rights of others. NXP sells products pursuant to standard terms and conditions of sale, which can be found at the following address: [nxp.com/SalesTermsandConditions](http://nxp.com/SalesTermsandConditions).

NXP, the NXP logo, NXP SECURE CONNECTIONS FOR A SMARTER WORLD, COOLFLUX, EMBRACE, GREENCHIP, HITAG, I2C BUS, ICODE, JCOP, LIFE VIBES, MIFARE, MIFARE CLASSIC, MIFARE DESFire, MIFARE PLUS, MIFARE FLEX, MANTIS, MIFARE ULTRALIGHT, MIFARE4MOBILE, MIGLO, NTAG, ROADLINK, SMARTLX, SMARTMX, STARPLUG, TOPFET, TRENCHMOS, UCODE, Freescale, the Freescale logo, AltiVec, C-5, CodeTEST, CodeWarrior, ColdFire, ColdFire+, C-Ware, the Energy Efficient Solutions logo, Kinetis, Layerscape, MagniV, mobileGT, PEG, PowerQUICC, Processor Expert, QorIQ, QorIQ Qonverge, Ready Play, SafeAssure, the SafeAssure logo, StarCore, Symphony, VortiQa, Vybrid, Airfast, BeeKit, BeeStack, CoreNet, Flexis, MXC, Platform in a Package, QUICC Engine, SMARTMOS, Tower, TurboLink, and UMEMS are trademarks of NXP B.V. All other product or service names are the property of their respective owners. ARM, AMBA, ARM Powered, Artisan, Cortex, Jazelle, Keil, SecurCore, Thumb, TrustZone, and  $\mu$ Vision are registered trademarks of ARM Limited (or its subsidiaries) in the EU and/or elsewhere. ARM7, ARM9, ARM11, big.LITTLE, CoreLink, CoreSight, DesignStart, Mali, mbed, NEON, POP, Sensinode, Socrates, ULINK and Versatile are trademarks of ARM Limited (or its subsidiaries) in the EU and/or elsewhere. All rights reserved. Oracle and Java are registered trademarks of Oracle and/or its affiliates. The Power Architecture and Power.org word marks and the Power and Power.org logos and related marks are trademarks and service marks licensed by Power.org.

© 2018 NXP B.V.

Document Number: AN11997  
Rev. 3, July 2018

