

# SOT527-1

HTSSOP20; reel pack; standard product orientation 12NC ending 118

Rev. 1 — 6 November 2013

Packing information

## 1. Packing method

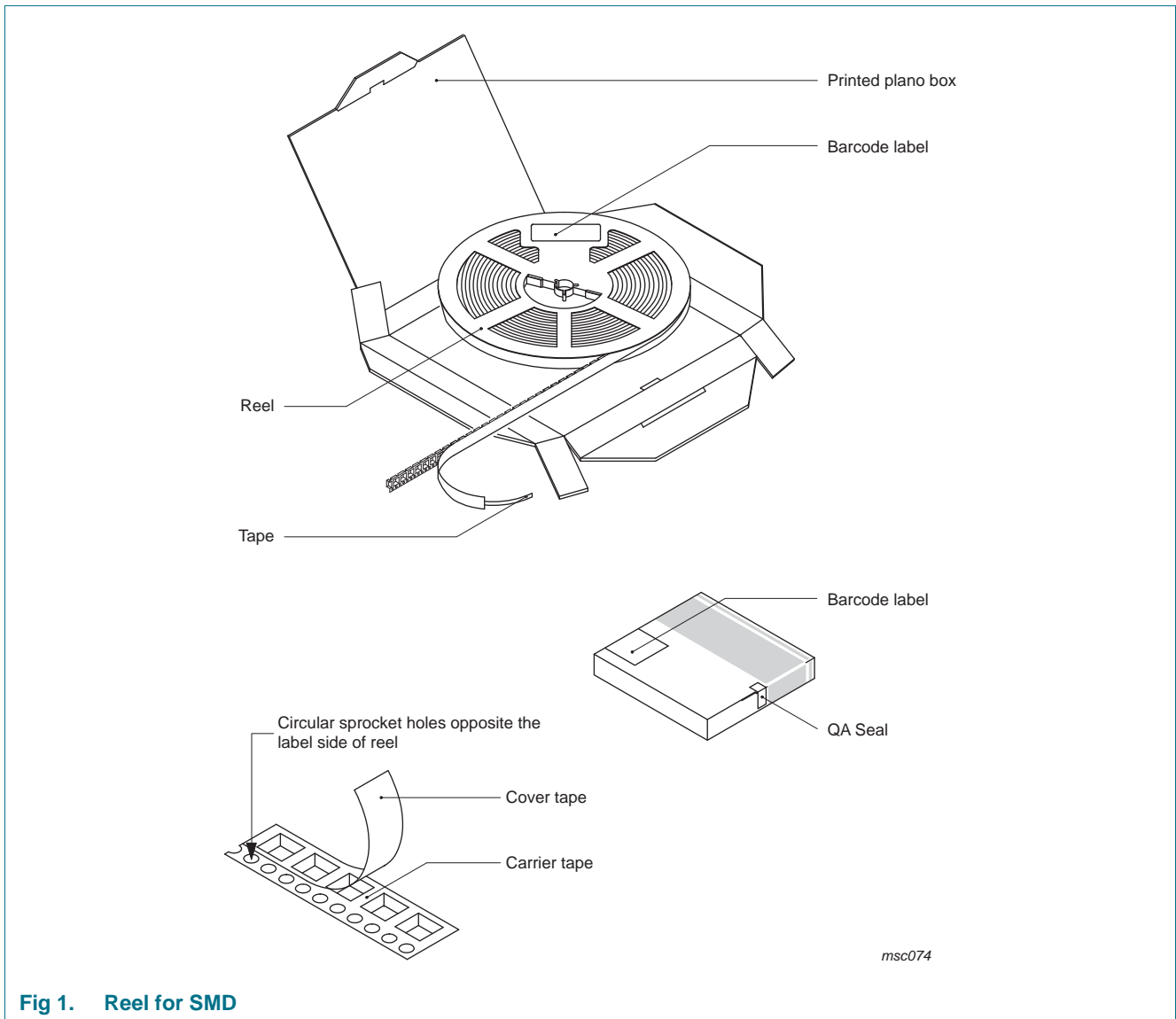


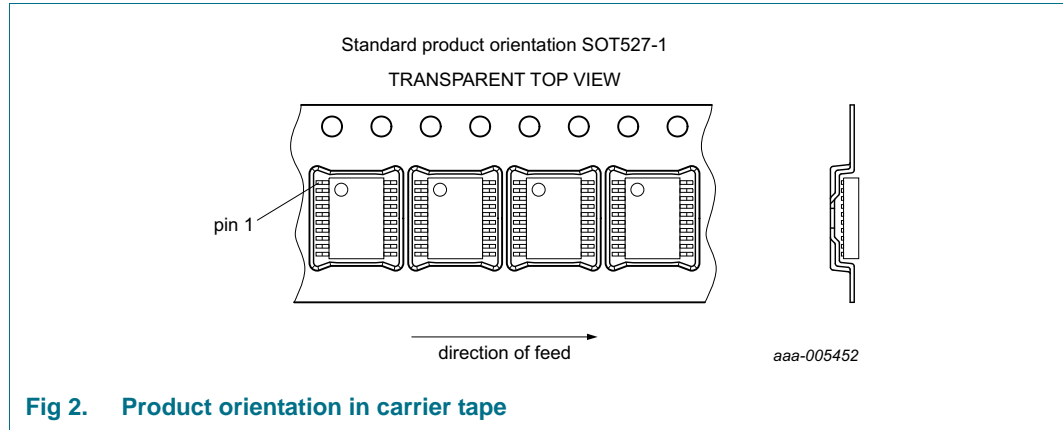
Fig 1. Reel for SMD

Table 1. Packing information

Package version	12NC ending	Reel dimensions d x w (mm) [1]	SPQ/PQ (pcs)	Reels per box	Outer box dimensions l x w x h (mm)
SOT527-1	118	330 x 16	2500	1	341 x 338 x 49

[1] d = reel diameter; w = tape width.

## 2. Product orientation



## 3. Carrier tape dimensions

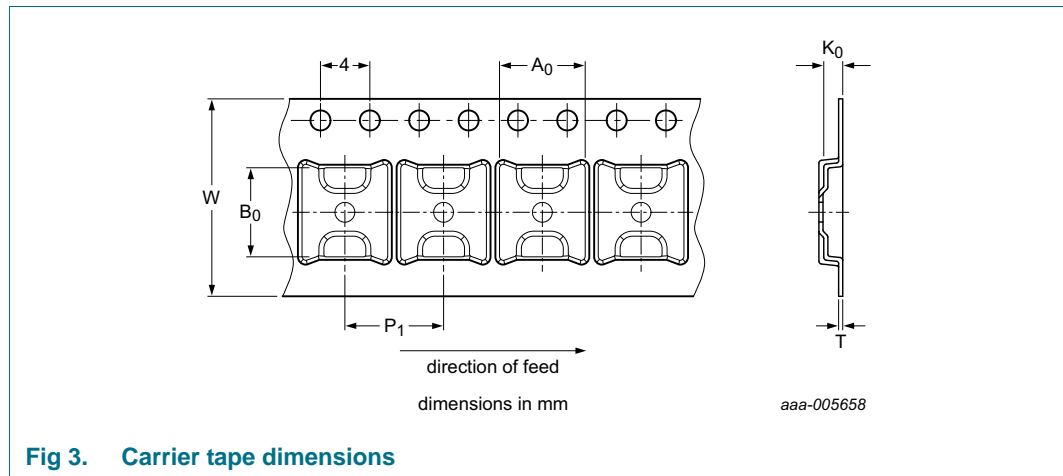


Table 2. Carrier tape dimensions

In accordance with IEC 60286-3.

$A_0$ (mm)	$B_0$ (mm)	$K_0$ (mm)	T (mm)	$P_1$ (mm)	W (mm)
6.95	7.1	1.6	0.4	8.0	16.0

4. Reel dimensions

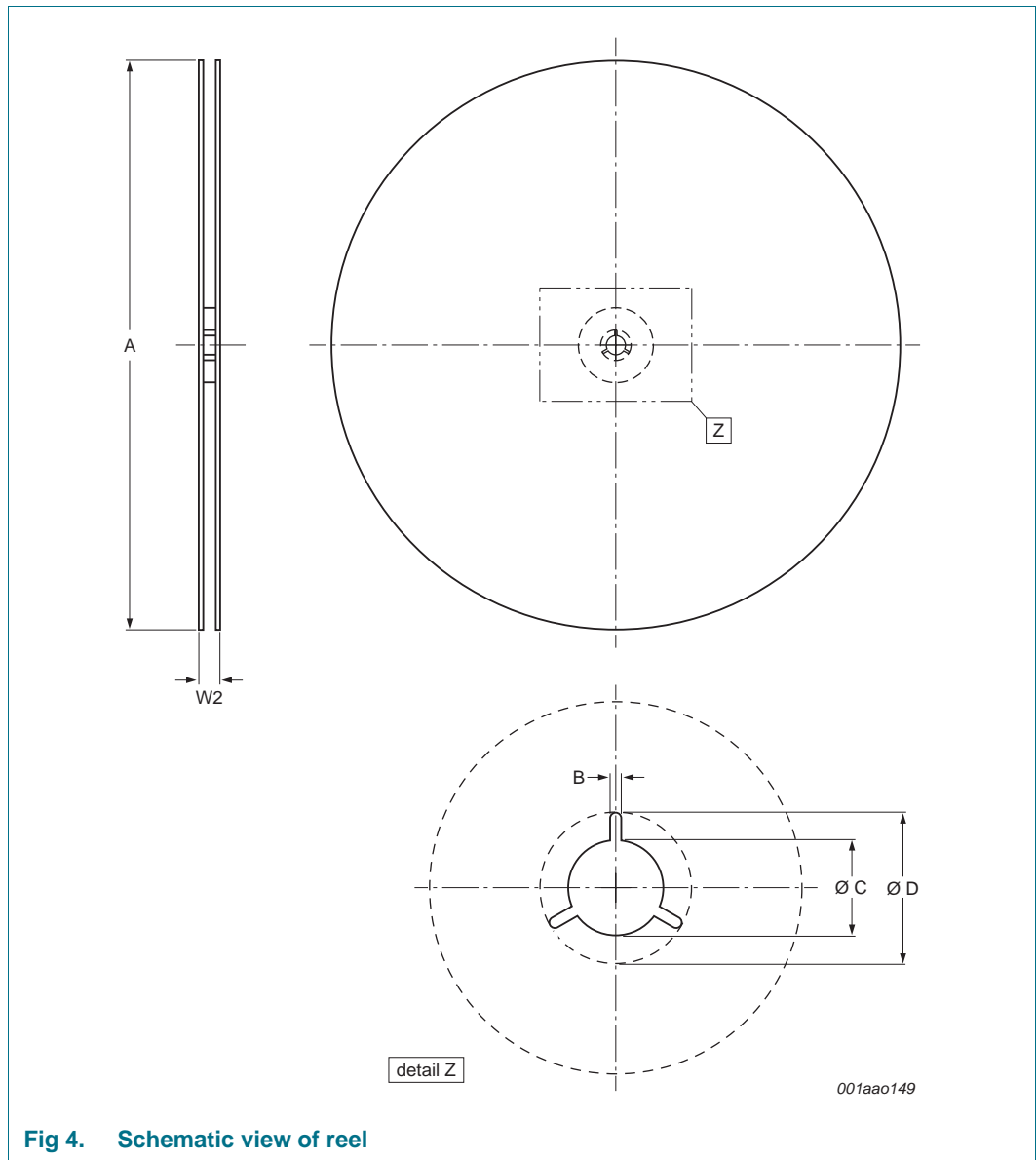


Fig 4. Schematic view of reel

Table 3. Reel dimensions  
In accordance with IEC 60286-3.

A [nom] (mm)	W2 [max] (mm)	B [min] (mm)	C [min] (mm)	D [min] (mm)
330	22.4	2.2	12.8	20.2

## 5. Barcode label

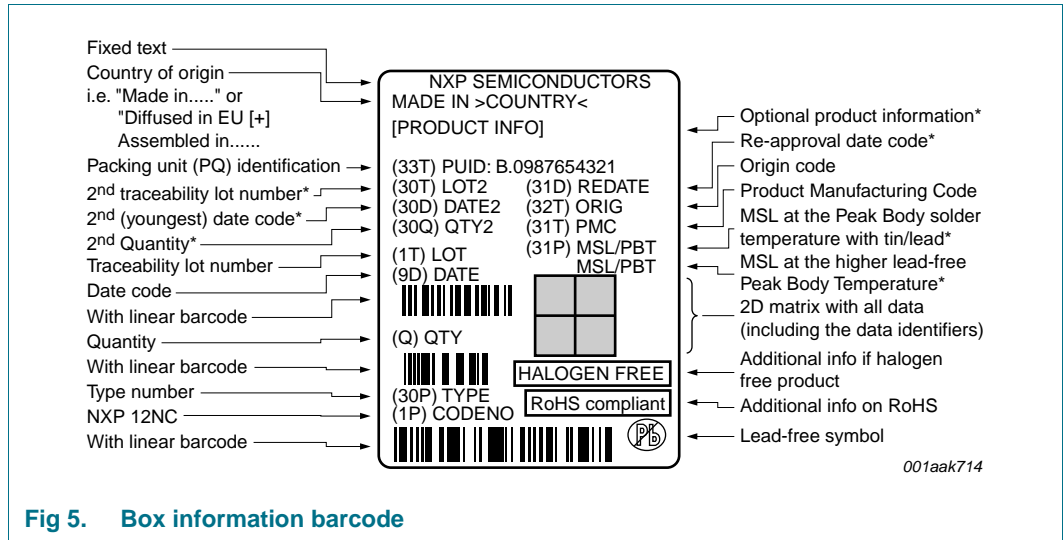


Fig 5. Box information barcode

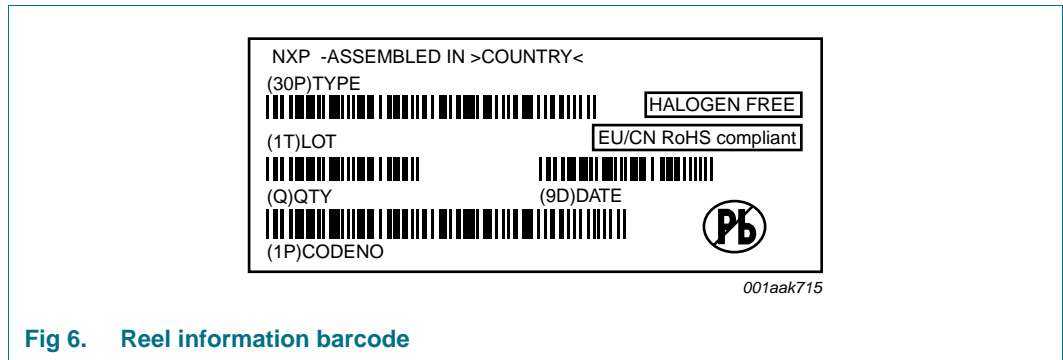


Fig 6. Reel information barcode

Table 4. Barcode dimensions

Box barcode label l x w (mm)	Reel barcode label l x w (mm)
75 x 100	75 x 35

**Limited warranty and liability**

Information in this document is believed to be accurate and reliable. However, NXP Semiconductors does not give any representations or warranties, expressed or implied, as to the accuracy or completeness of such information and shall have no liability for the consequences of use of such information.

© NXP B.V. 2013.

For more information, please visit: <http://www.nxp.com>  
For sales office addresses, please send an email to: [salesaddresses@nxp.com](mailto:salesaddresses@nxp.com)

All rights reserved.

Date of release: 6 November 2013  
Document identifier: SOT527-1\_118