

WLCSP20

NVT4857; Reel dry pack, SMD, 7"
 Q1/T1 standard product orientation
 Orderable part number ending ,012 or Z
 Ordering code (12NC) ending 012

Rev. 1 — 28 April 2015

Packing information

1. Packing method

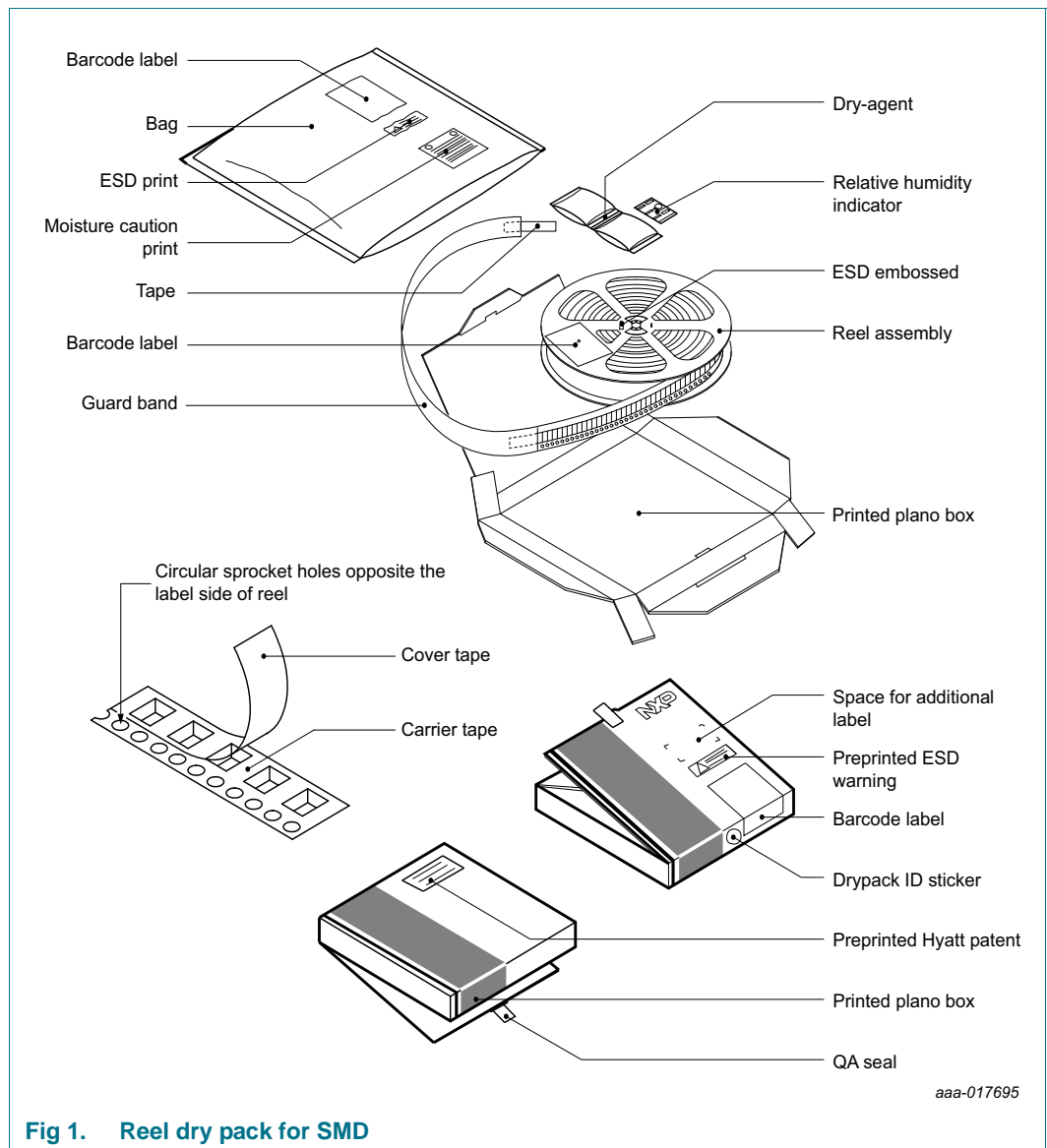


Fig 1. Reel dry pack for SMD



NVT4857; Reel dry pack, SMD, 7"
 Q1/T1 standard product orientation
 Orderable part number ending ,012 or Z
 Ordering code (12NC) ending 012

Table 1. Dimensions and quantities

Reel dimensions d × w (mm) [1]	SPQ/PQ (pcs) [2]	Reels per box	Outer box dimensions l × w × h (mm)
180 × 8	500	1	209 × 206 × 37

[1] d = reel diameter; w = tape width.

[2] Packing quantity dependent on specific product type.

View ordering and availability details at [NXP order portal](#), or contact your local NXP representative.

2. Product orientation

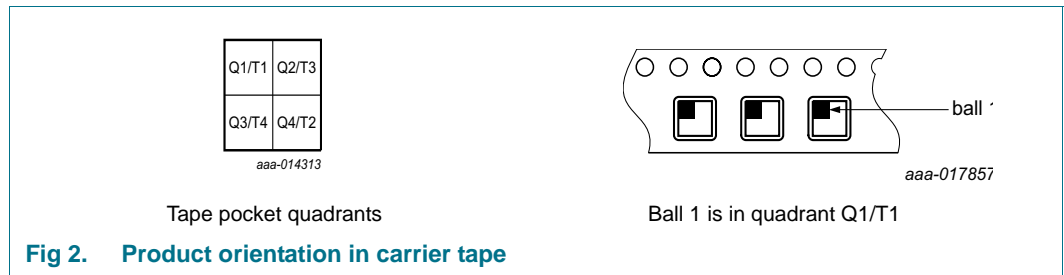


Fig 2. Product orientation in carrier tape

3. Carrier tape dimensions

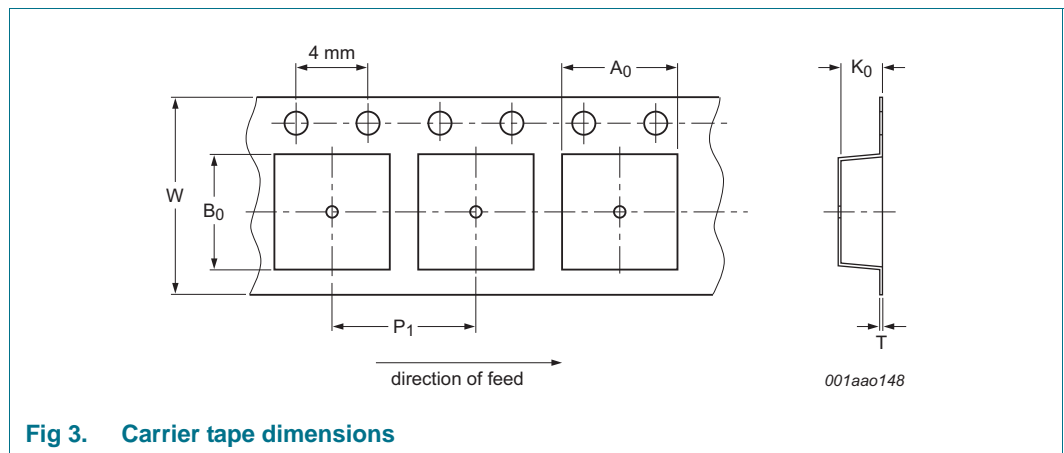


Fig 3. Carrier tape dimensions

Table 2. Carrier tape dimensions

In accordance with IEC 60286-3.

A ₀ (mm)	B ₀ (mm)	K ₀ (mm)	T (mm)	P ₁ (mm)	W (mm)
1.85 ± 0.05	2.25 ± 0.05	0.65 ± 0.05	0.25 ± 0.02	4.0 ± 0.1	8.0 +0.3 / -0.1

4. Reel dimensions

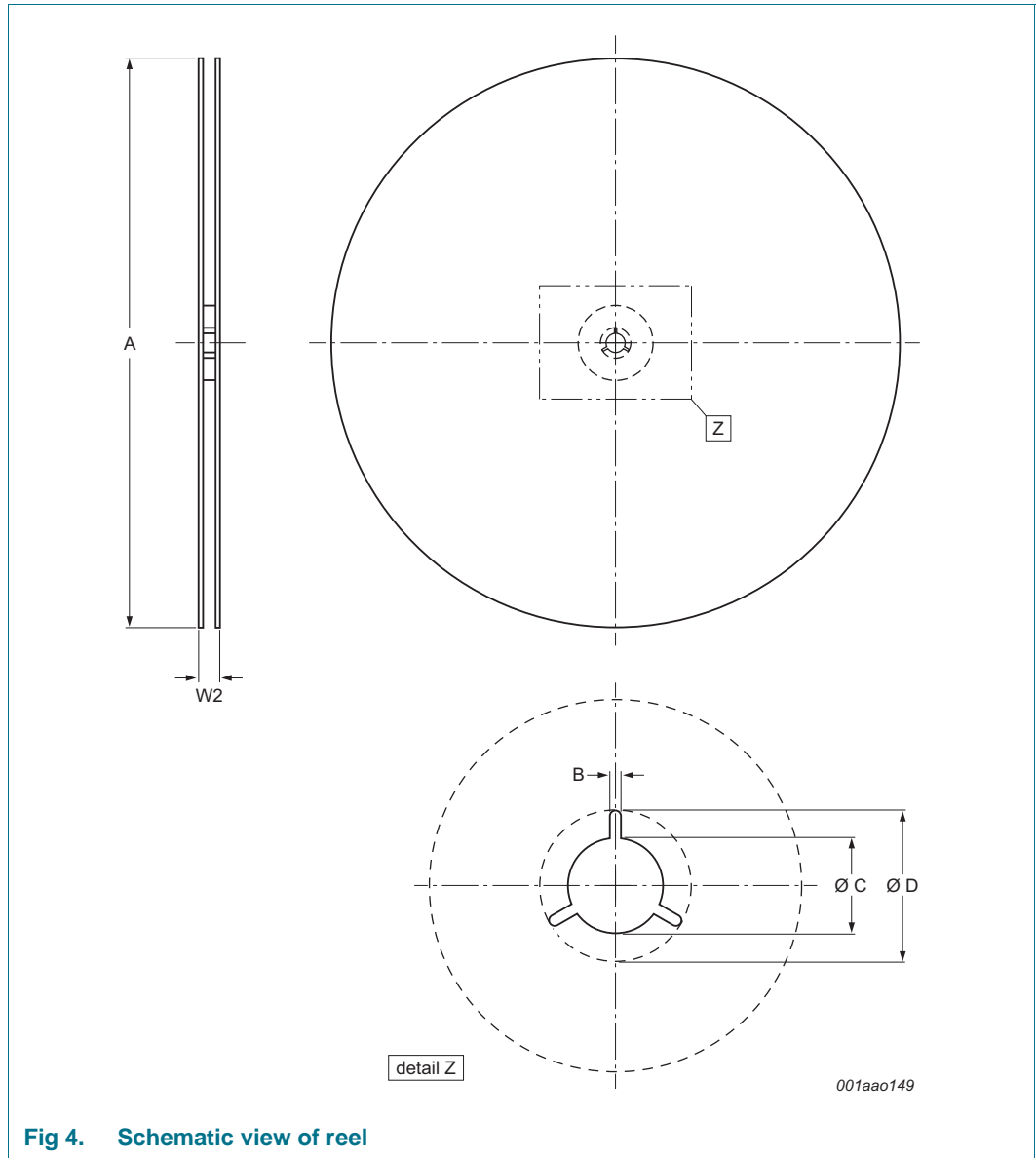


Fig 4. Schematic view of reel

Table 3. Reel dimensions
 In accordance with IEC 60286-3.

A [nom] (mm)	W2 [max] (mm)	B [min] (mm)	C [min] (mm)	D [min] (mm)
180	14.4	1.5	12.8	20.2

NVT4857; Reel dry pack, SMD, 7"
 Q1/T1 standard product orientation
 Orderable part number ending ,012 or Z
 Ordering code (12NC) ending 012

5. Barcode label

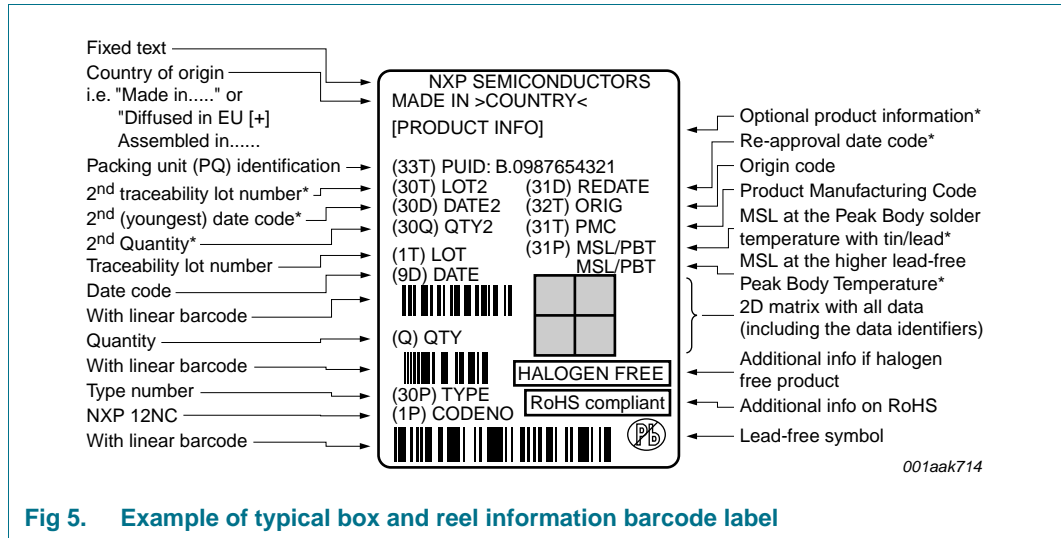


Fig 5. Example of typical box and reel information barcode label

Table 4. Barcode label dimensions

Box barcode label l × w (mm)	Reel barcode label l × w (mm)
100 × 75	100 × 75

NVT4857; Reel dry pack, SMD, 7"
Q1/T1 standard product orientation
Orderable part number ending ,012 or Z
Ordering code (12NC) ending 012

6. Revision history

Table 5. Revision history

Document ID	Release date	Packing document status	Change notice	Supersedes
WLCSP20_NVT4857_012	20150428	Packing information	-	-

Limited warranty and liability

Information in this document is believed to be accurate and reliable. However, NXP Semiconductors does not give any representations or warranties, expressed or implied, as to the accuracy or completeness of such information and shall have no liability for the consequences of use of such information.

© NXP Semiconductors N.V. 2015.

All rights reserved.

For more information, please visit: <http://www.nxp.com>
For sales office addresses, please send an email to: salesaddresses@nxp.com

Date of release: 28 April 2015

Document identifier: WLCSP20_NVT4857_012