



All rights are reserved. Reproduction in whole or in part is prohibited without the written consent of the copyright owner.

PACKAGE : SOT457 (SC-74)

LASER MARKING

TYPE FACE : DIN 1451, condensed type

PRODUCER / VENDOR CODE : Height 0.55 - 0.75 mm

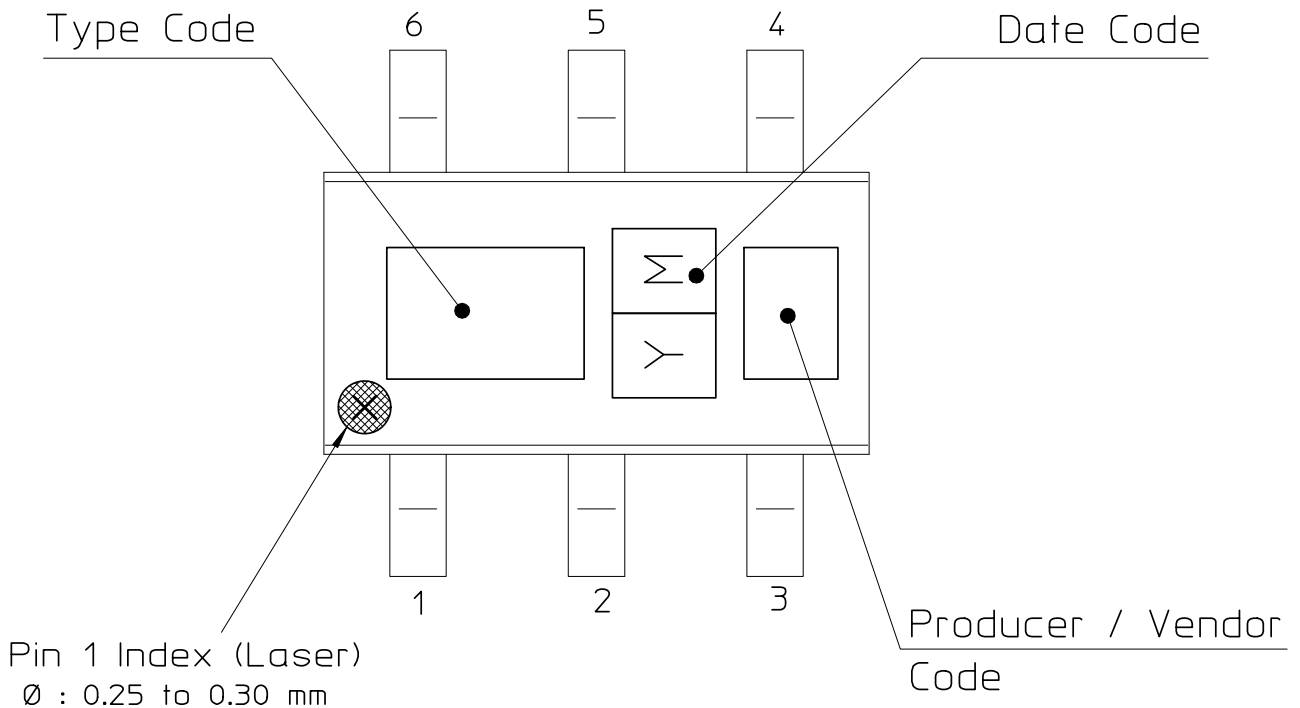
TYPE CODE : Height 0.55 - 0.75 mm

DATE CODE : Height 0.45 - 0.55 mm

Y = last digit of the year

M = Jan = 1 May = 5 Sep = 9
 Feb = 2 Jun = 6 Oct = o
 Mar = 3 Jul = 7 Nov = n
 Apr = 4 Aug = 8 Dec = d

Option A : For GA Types in APM / APHK



	MARKING SOT457 (SC-74)	4312 256 00092	1997-03-21 2001-01-12 2010-04-16 2011-03-11
Name : U.TIMM	DWG No.: EH1065	4	180 - 1 010 - - - A 4
PV	Check : Dat.: 1996-10-18	(c)	NXP Semiconductors / TCC



All rights are reserved. Reproduction in whole or in part is prohibited without the written consent of the copyright owner.

PACKAGE : SOT457 (SC-74)



LASER MARKING

DEVICE NAME : Height 0.6 +/- 0.15 mm (DIN 6776 condensed type)
3 characters , no crossing of lines allowed for all characters and marks

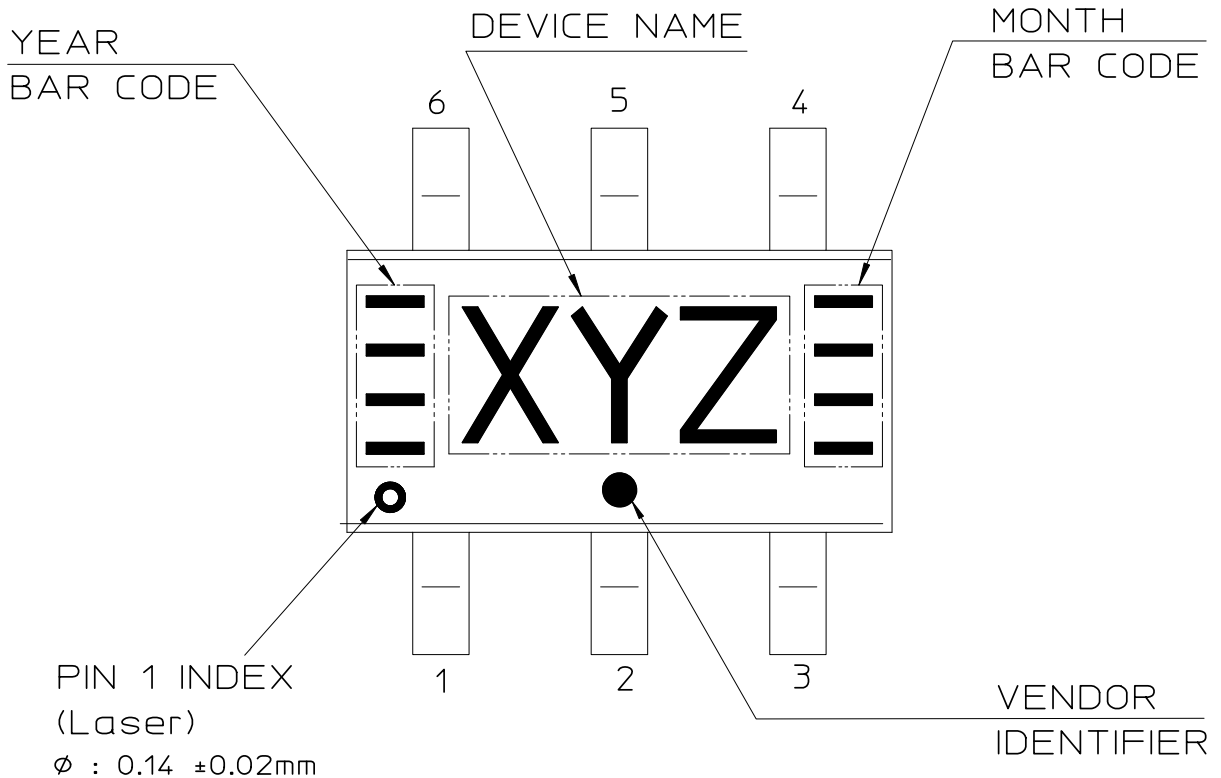
CHARACTER SET : 0 to 9
A to Z without I,O

YEAR BAR CODE : code see sheet 3

MONTH BAR CODE : code see sheet 3

VENDOR IDENTIFIER :  means "APHK"
 means "APM"

Option B : For Logic Types in APM



		MARKING SOT457 (SC-74)		4312 256 00092		1997-03-21	
						2001-01-12	
				2010-04-16			
				2011-03-11			
Name : U.TIMM		DWG No.: EH1065		4		180 - 2	
PV		Check :		Dat.: 1996-10-18		(c) NXP Semiconductors / TCC	
						010 - - - A 4	



All rights are reserved. Reproduction in whole or in part is prohibited without the written consent of the copyright owner.

YEAR BAR CODE

MONTH BAR CODE

Last Digit of calendar year	YEAR BAR CODE
0	
1	
2	
3	
4	
5	
6	
7	
8	
9	

MONTH	MONTH BAR CODE
JAN	
FEB	
MAR	
APR	
MAY	
JUNE	
JULY	
AUG	
SEP	
OCT	
NOV	
DEC	

<div style="border: 1px solid black; width: 20px; height: 20px; display: inline-block;"></div>		<p>MARKING</p> <p>SOT457 (SC-74)</p>	<p>4312 256 00092</p>				1997-03-21		
							2001-01-12		
						2010-04-16			
						2011-03-11			
Name : U.TIMM		DWG No.: EH1065	4	180	-	3	010	- - -	A 4
PV	Check :	Dat.: 1996-10-18		(c) NXP Semiconductors / TCC					



All rights are reserved. Reproduction in whole or in part is prohibited without the written consent of the copyright owner.

PACKAGE : SOT457 (SC-74)

LASER MARKING

DEVICE NAME : Height 0.3mm Max. (DIN 1451 condensed type)
7 characters Max. , no crossing of lines are allowed for all characters and marks.

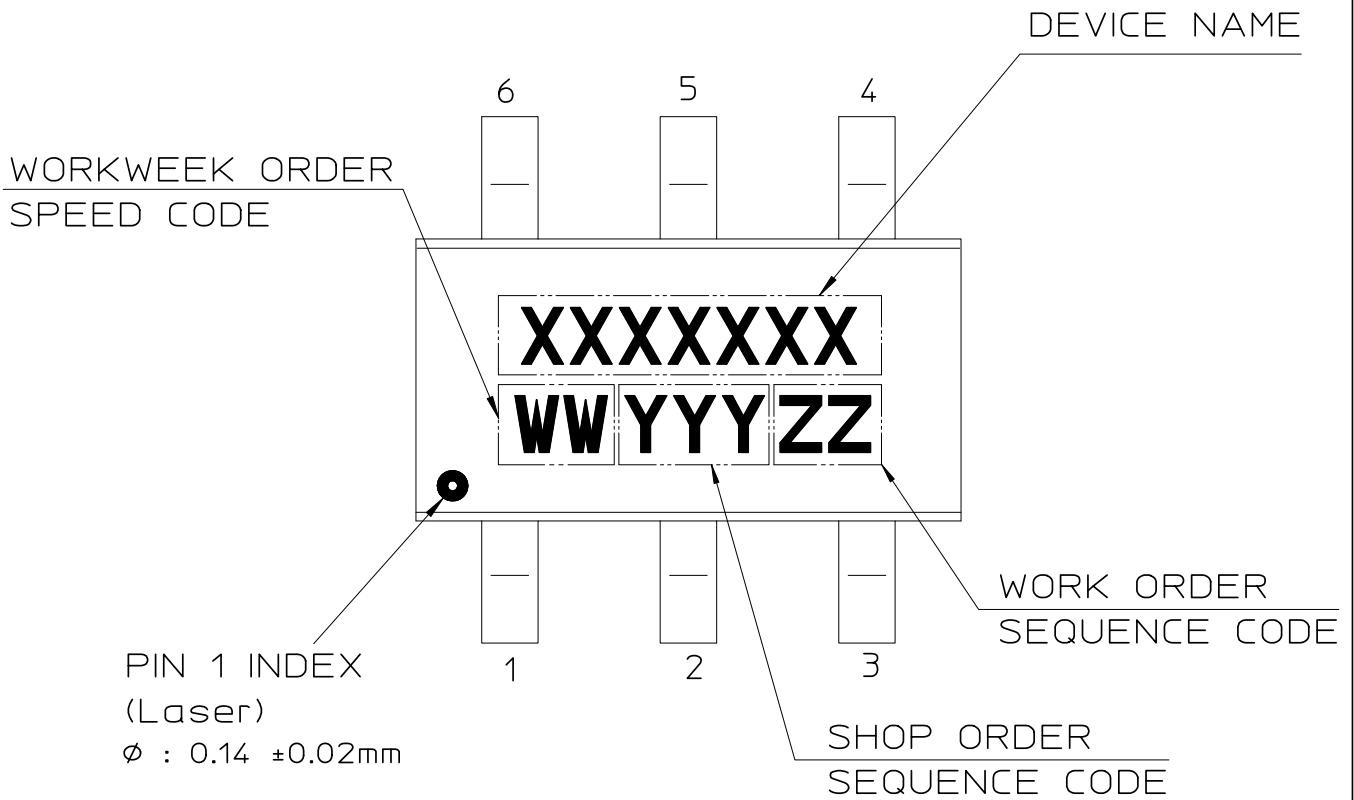
CHARACTER SET : 0 to 9
A to Z without B, I, O, M, W and Z characters
(Exclude M and W as may lead to overlap marking with current space limit.)

WORKWEEK ORDER SPEED CODE : Height 0.3mm Max. 2 characters .

SHOP ORDER SEQUENCE CODE : Height 0.3mm Max. 3 characters .

WORK ORDER SEQUENCE CODE : Height 0.3mm Max. 2 characters .

Option C : For PLS Types in APM



	MARKING SOT457 (SC-74)	4312 256 00092	1997-03-21 2001-01-12 2010-04-16 2011-03-11
Name : U.TIMM	DWG No.: EH1065	4	180 - 4 010 - - - A 4
PV	Check : Dat.: 1996-10-18	(c)	NXP Semiconductors / TCC