

APPROVALS		DATE	TITLE	
GLM	RDF	062706	MPC5567EVB AXM-0381	
FINISH	SCALE	062706	SIZE D	REV C
			DRG. NO. AXM-SCH-0345	SHEET 3 OF 6



8 7 6 5 4 3 2 1

D

C

B

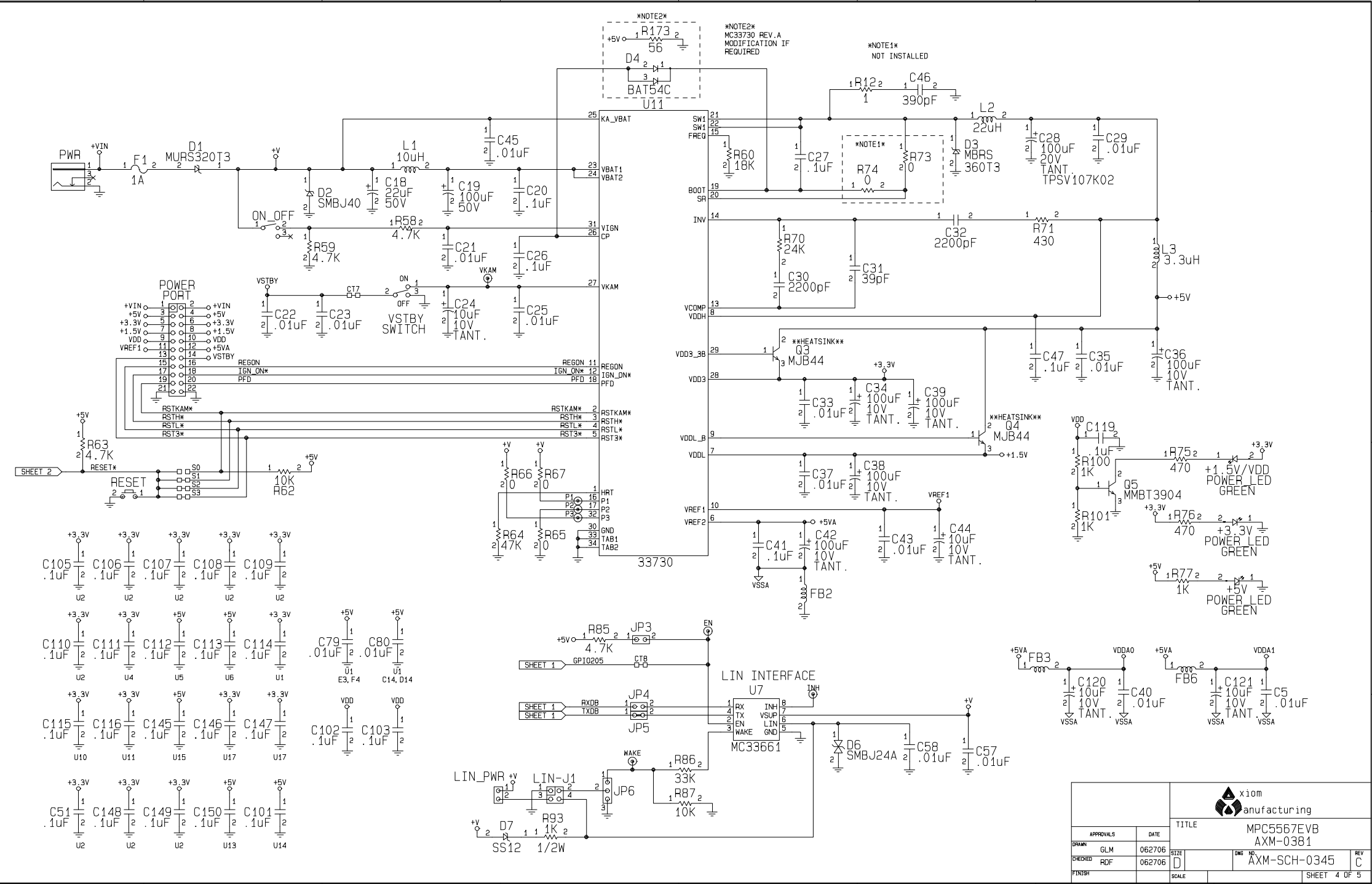
A

D

C

B

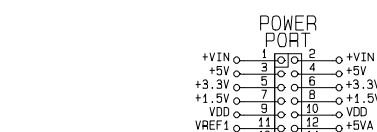
A



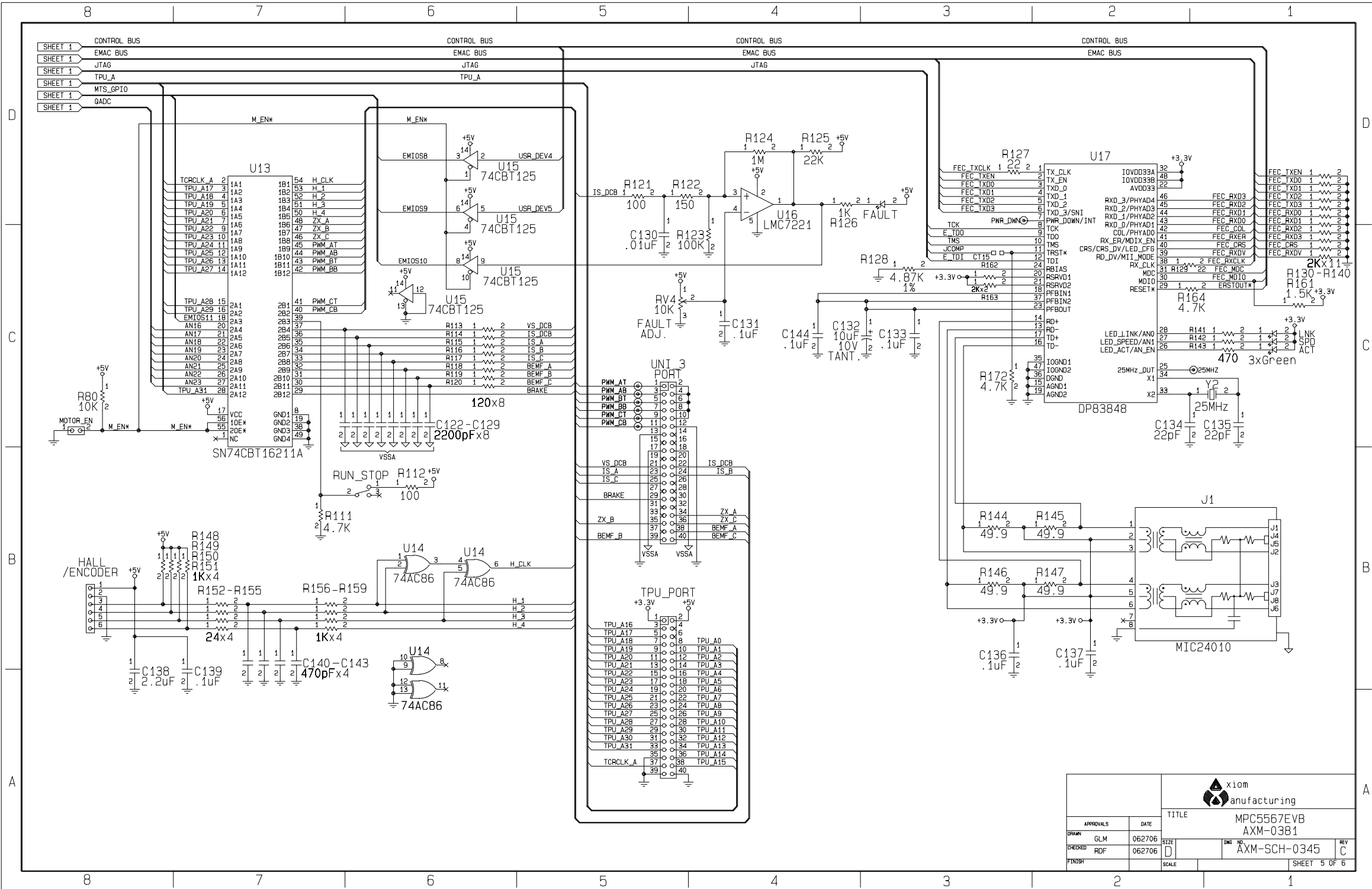
NOTE2
 +5V 1 R173 2
 56
 D4 2 1
 BAT54C
 U11

NOTE2
 MC33730 REV.A
 MODIFICATION IF
 REQUIRED

NOTE1
 NOT INSTALLED



APPROVALS		DATE	TITLE	
GLM	062706		MPC5567EVB AXM-0381	
RDF	062706	SIZE	DWG NO.	REV
			AXM-SCH-0345	C
FINISH		SCALE	SHEET 4 OF 5	

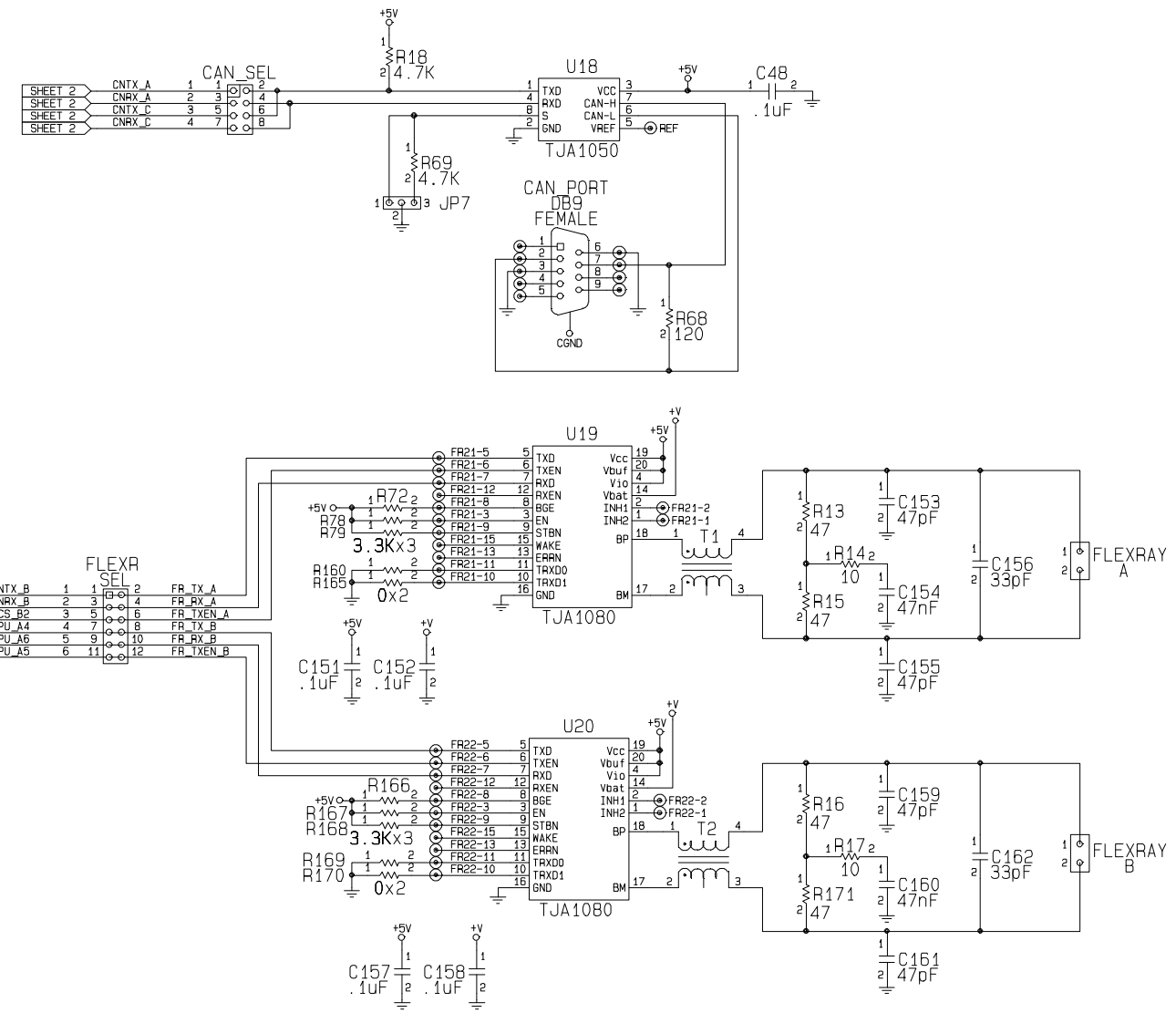
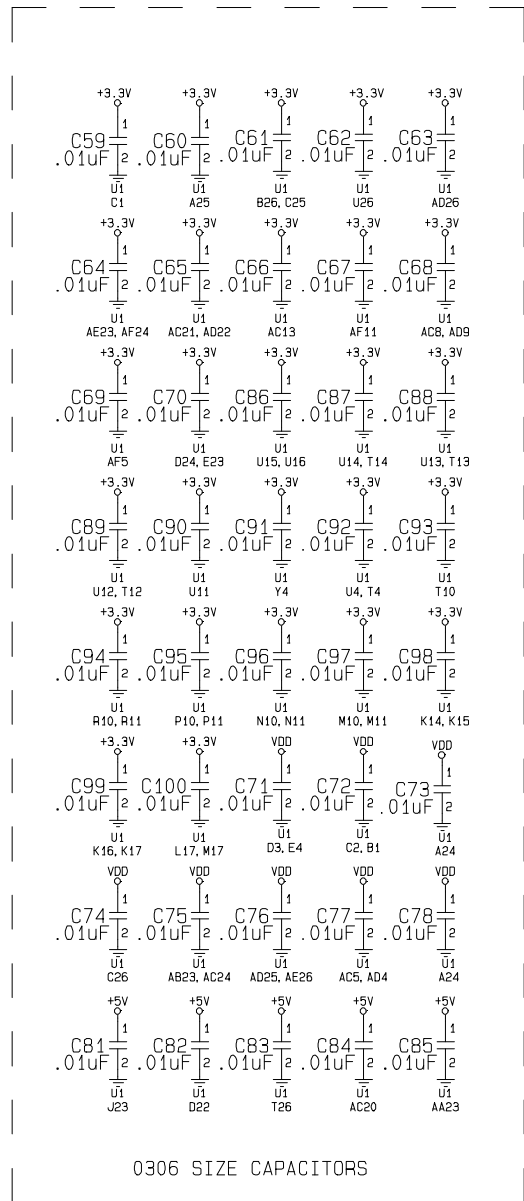


APPROVALS		DATE	TITLE	
DRWN	GLM	062706	MPC5567EVb AXM-0381	
CHEKED	RDF	062706	SIZE	DWG NO.
FINISH				AXM-SCH-0345
			SCALE	REV
				C
				SHEET 5 OF 6



8 7 6 5 4 3 2 1

BYPASS CAPACITORS



APPROVALS		DATE	TITLE	
DRAWN	GLM	062706	MPC5567EVB AXM-0381	
CHECKED	RDF	062706	SIZE	D
FINISH			DWG NO.	AXM-SCH-0345
			REV	C
			SCALE	SHEET 6 OF 6

8 7 6 5 4 3 2 1