

KIT33982CEVBE evaluation board

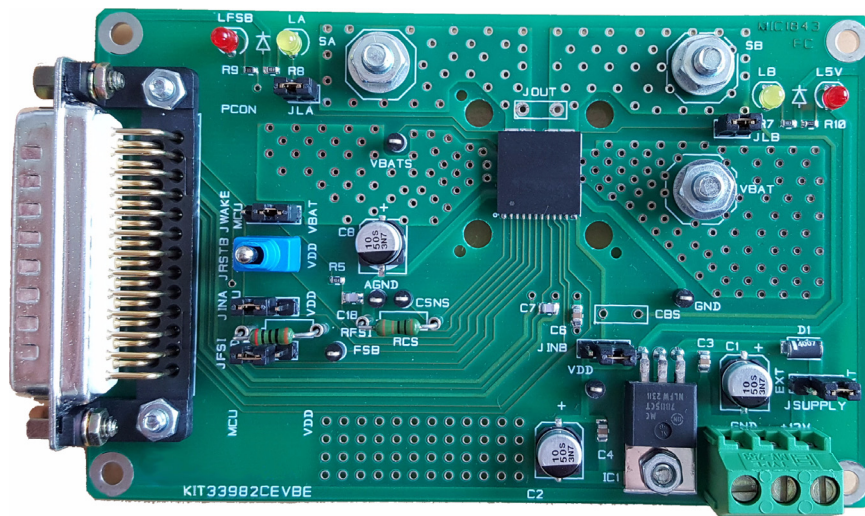


Figure 1. KIT33982CEVBE evaluation board

Table of Contents

1 Kit contents / packing list	2
2 Important notice	3
3 Introduction	4
4 Hardware description	5
5 Jumper Connections	7
6 Schematic drawing	8
7 KIT33982CEVBE board layout	9
8 Bill of material	11
10 Revision history	13

1 Kit contents / packing list

- KIT33982CEVBE evaluation board (1)

2 Important notice

NXP provides the enclosed product(s) under the following conditions:

This evaluation kit is intended for use of ENGINEERING DEVELOPMENT OR EVALUATION PURPOSES ONLY. It is provided as a sample IC pre-soldered to a printed circuit board to make it easier to access inputs, outputs, and supply terminals. This EVB may be used with any development system or other source of I/O signals by simply connecting it to the host MCU or computer board via off-the-shelf cables. This EVB is not a Reference Design and is not intended to represent a final design recommendation for any particular application. Final device in an application will be heavily dependent on proper printed circuit board layout and heat sinking design as well as attention to supply filtering, transient suppression, and I/O signal quality.

The goods provided may not be complete in terms of required design, marketing, and or manufacturing related protective considerations, including product safety measures typically found in the end product incorporating the goods. Due to the open construction of the product, it is the user's responsibility to take any and all appropriate precautions with regard to electrostatic discharge. In order to minimize risks associated with the customers applications, adequate design and operating safeguards must be provided by the customer to minimize inherent or procedural hazards. For any safety concerns, contact NXP sales and technical support services.

Should this evaluation kit not meet the specifications indicated in the kit, it may be returned within 30 days from the date of delivery and will be replaced by a new kit.

NXP reserves the right to make changes without further notice to any products herein. NXP makes no warranty, representation or guarantee regarding the suitability of its products for any particular purpose, nor does NXP assume any liability arising out of the application or use of any product or circuit, and specifically disclaims any and all liability, including without limitation consequential or incidental damages. "Typical" parameters can and do vary in different applications and actual performance may vary over time. All operating parameters, including "Typical", must be validated for each customer application by customer's technical experts.

NXP does not convey any license under its patent rights nor the rights of others. NXP products are not designed, intended, or authorized for use as components in systems intended for surgical implant into the body, or other applications intended to support or sustain life, or for any other application in which the failure of the NXP product could create a situation where personal injury or death may occur.

Should Buyer purchase or use NXP products for any such unintended or unauthorized application, Buyer shall indemnify and hold NXP and its officers, employees, subsidiaries, affiliates, and distributors harmless against all claims, costs, damages, and expenses, and reasonable attorney fees arising out of, directly or indirectly, any claim of personal injury or death associated with such unintended or unauthorized use, even if such claim alleges that NXP was negligent regarding the design or manufacture of the part. NXP and the NXP logo are trademarks of NXP Semiconductors. All other product or service names are the property of their respective owners. © 2016 NXP B.V.

3 Introduction

3.1 EVB features

- Single 2.0 mΩ max. high-side switch with parallel input or SPI control
- 6.0 V to 27V operating voltage with standby currents < 5.0 μA
- Output current monitoring with two SPI-selectable current ratios
- SPI control of overcurrent limit, overcurrent fault blanking time, output-off open load detection, output on/off control, watchdog timeout, slew rates, and fault status reporting
- SPI status reporting of overcurrent, open and shorted loads, overtemperature shutdown, undervoltage and overvoltage shutdown, fail-safe pin status, and program status
- Enhanced -16 V reverse polarity V_{PWR} protection

3.2 Required equipment

- Parallel port-enabled computer with Windows XP (or later) operating system
- Parallel cable
- Alternative: USB-enabled computer with Windows XP (or later) operating system and NXP's USB to SPI EVB Kit (reference: KITUSBSPIEVME)

3.3 If using the KITUSBSPIEVME, the dongle needs reworked on the SI connection as shown in Figure 2.

1. Remove the jumper between pins SI and 3.
2. Remove the jumper between pins Data1 and 6.
3. Connect a jumper between pin SI and pin 6

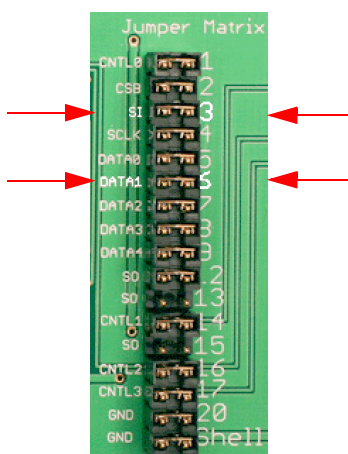


Figure 2. Jumper matrix on KITUSBSPIEVME converter board

4 Hardware description

The hardware in this evaluation kit includes an 33982 evaluation board. The evaluation board has three major blocks: the circuit related to the 33982, the remote control and accessory simulator (SPI Gen) and the parallel cable.

4.1 Using the EVB

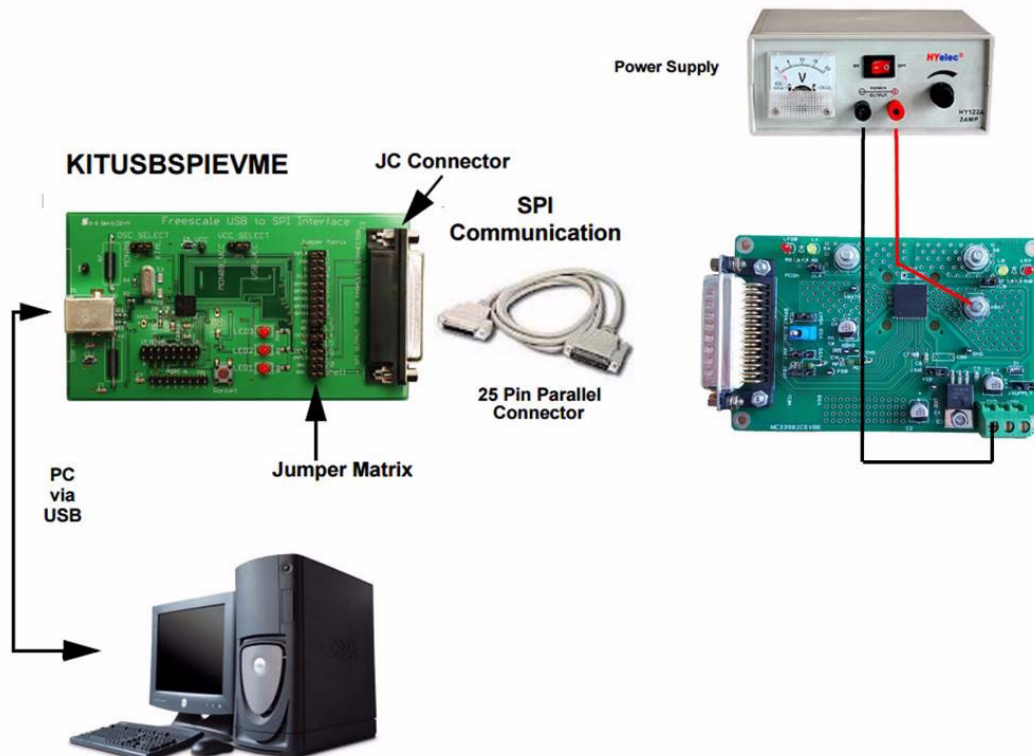


Figure 3. Setup for the 33982 EVB

Warning: Always wear safety glasses when working around electronic modules and when soldering.

Remove the capacitor, C8, when testing reverse supply voltage on VBAT. The thermal resistance from junction to ambience of this PCB is approximately 25 °/W.

1. The 33982 evaluation board allows the customer to quickly evaluate features of the device with a simple bench top setup. All switch inputs may be evaluated using the onboard switch banks or actual system switches connected to the switch input edge connector.
2. Using a standard 25 pin Sub-D parallel port cable and the enclosed SPIGen SPI driver software, use a personal computer to provide the serial peripheral interface (SPI) communication with this EVB.
3. Connect power supplies to the VBAT on the VBAT bolt. Connect GND, GNDBAT and +12 volt supply on connector X, EVB's power terminal. On-board 5 volt regulator supply can be either supplied through VBAT or +12V by selecting the jumper JSUPPLY. Make sure the voltages provided are in accordance with the device data sheet and that the supply currents are sufficient to supply the attached loads. The led L5V should light up indicating the presence of 5.0 volt regulated supply. Move IC from reset state by shorting jumper JRSTB to 2-3 position (It shorts RSTB PIN to VDD).
4. Connect the desired loads to (e.g. relay coils, LEDs, or panel lamps) SB and SA bolt.
5. For direct control of SA, put jumper, JINA, at position 2-3. For direct control of SB, put jumper, JINB, at position 2-3. Disable watchdog placing a jumper at JFSI on position 1-2 (shorting the PIN to GND) and not placing jumper on JWAKE. (Shorting PIN to GND). Led LA and LB should light up if jumper are placed on JLA and JLB.
6. To use SPIGen, Go to the Windows Start menu, then Programs, then SPIGen, and click on the SPIGen icon. The SPIGen "Generic SPI Generator" GUI will appear. Go to the File menu in the upper left hand corner of the GUI, and select Open, then browse the CD to find and select the 33982_EVB_CONFIGURATION_FILE.spi file for the KIT33982CEVBE. Click Open, and SPIGen will open a specifically configured SPI command generator for the KIT33982CEVBE. The configuration file will set all parameters for SPI signals from the PC and provide a list of commands that may be sent to the EVB.

Hardware description

7. To prepare the Evaluation card for SPIGen, Place jumper JINA, JINB, JRSTB, JWAKE to 1-2 position
8. To set up the 33982 device to read switch inputs the user may use the batch commands from the "Send a Batch of Commands" tab. In the "Send a Batch of Commands" window, the Full Initialize batch will appear. To send the batch of commands to the EVB, click the Send Once tab. To quickly evaluate the EVB and device, simply click on the "Send one Command at a Time" tab, select the switch status command from the Quick Commands list, and click the Send Continuous tab. The opening and closing of switches may now be seen on the Word Received bits window field. Refer to the device data sheet for detailed information on I/O communication and device operation.

5 Jumper Connections

Name	Description
JSUPPLY	The selection between 1-2 allows the supply regulation of the 5.0 volt from battery while 2-3 allows independent supply.
Diode D1	Diode protects against negative transients and reverse battery.
Capacitor C8	Removed when doing reverse battery test.
JWAKE	Allows wake up function of IC. 1-2 selection gives control through PCON. 2-3 selection is used to wake-up from battery voltage, for example, in the case of ignition.
JINA	1-2 position: control through PCON to SPIGEN 2-3 position: shorting IN0 to VDD Floating: IN0 is short to ground
JINB	NC
JRSTB	1-2 position: control through PCON to SPIGEN/MCU 2-3 position: Short RSTB to VDD Floating: RSTB is ground. This means the IC is in reset mode
JFSI	1-2 position: Short JFSI to ground 2-3 position: Connect to RFSI resistor Floating: JFSI is pulled to VDD
JLA	1-2 position: connect to led, LA. LA lights up when IN is pulled to VDD Floating: Not connected to LA.
JLB	1-2 position: connect to led, LB. LB lights up when IN is pulled to VDD Floating: Not connected to LB
Resistor RCS RFSI	Value to be change according. Value to be change according.
Test points CSNS-AGND	Several test points are present on the evaluation board to check some signals if necessary: To check the current recopy output

6 Schematic drawing

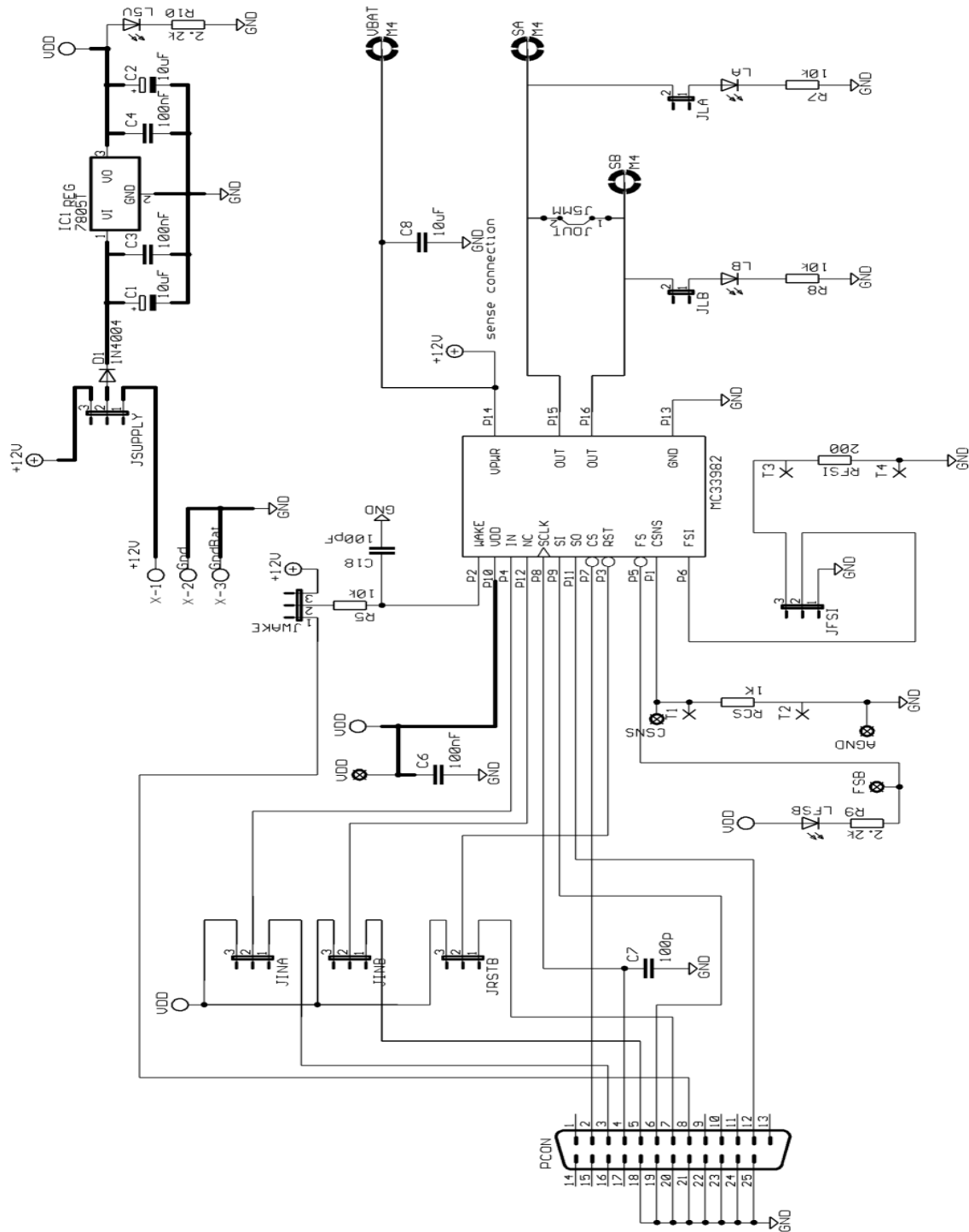


Figure 4. Evaluation board schematic

7.3 Bottom Layer

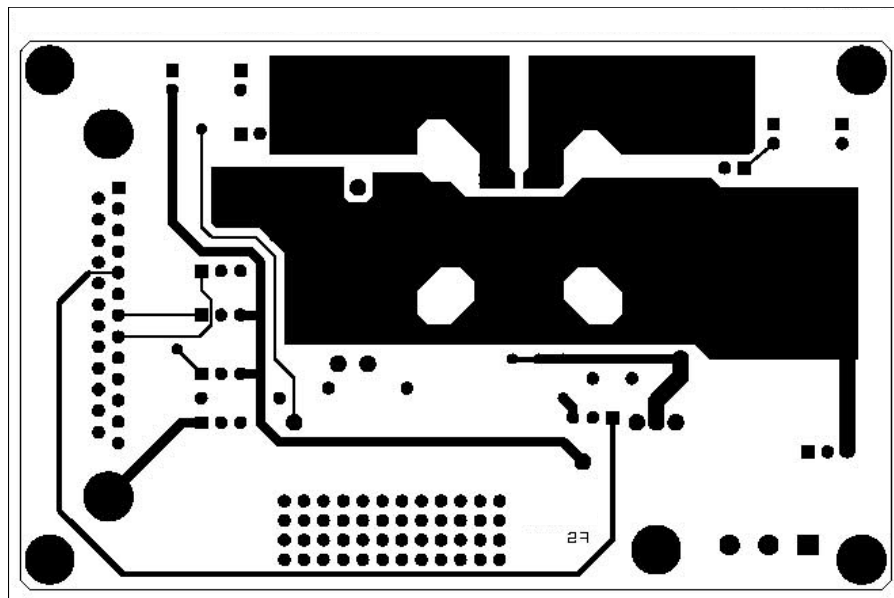


Figure 7. Bottom layer

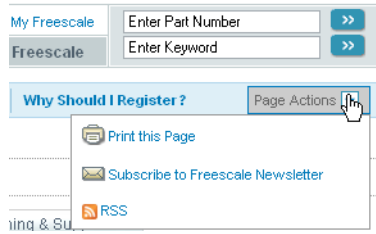
8 Bill of material

Qty	PN	Ref. Des	Package	Description
1	MC33982CPNA	MC33982	PQFN	Intelligent high current self-protected silicon high-side switch
1	7805	REG	TO220	5.0 V regulator
3	ECEV1HA 100SP	C1, C2, C8	CMS D	10 uF 50 V capacitor
3		C3, C4, C6	805	100 nF 50 V capacitor
2		C7, C18	805	100 pF 50 V capacitor
3		R5, R7, R8	603	10 k 5.0 % 0.1 W resistor
2		R9, R10	603	2.0 k 5.0 % (or 2 k7) resistor
1		RCS	Thru hole NON-CMS	1.0 k 1/4 W 1.0 % resistor
1		RFSI	Thru hole NON-CMS	200 1/4 W 5.0 % resistor
4	H3192		Thru hole	Connector to hold resistor RCS and RFSI
2	HLMP1719	LB, LA	Thru hole NON-CMS	2.0 mA yellow leds
2	HLMP1700	LFSB, L5V	Thru hole NON-CMS	2.0 mA red leds
1	MRA4007T3	D1	SMA	DIODE MRA4007 (equiv. 1N4007)
6	Type1 5001	FSB, CSNS, VDD, AGND, VBAT, GND		Testpoints for clip
1	MKDS 1,5/3-5,08	X	5.08 mm	3 terminal power connector standard 5.08 mm
3		VBAT, SA, SB	Metal with 4 mm diam.	Screw connectors diam. 4.0 mm +1 Nut + 2 washers each for power connection
1	DB25P564TX	PCON	M25H	Connector, SubD, series D, male, bent barb, to solder 25 contacts
6	M7566-05	JINA, JINB, JSUPPLY, JFSI, JWAKE, JRSTB		JUMPER : 3 PINS + 1 jumper socket 2.54 mm
2	M7566-05	JLA,JLB		JUMPER : 2 PINS + 1 jumper socket 2.54 mm

NXP does not assume liability, endorse, or warrant components from external manufacturers that are referenced in circuit drawings or tables. While NXP offers component recommendations in this configuration, it is the customer's responsibility to validate their application

9 References

Following are URLs where you can obtain information on other NXP products and application solutions:

Links
Product Summary Page
NXP's Web Site
NXP's Analog Web Site
NXP's Automotive Applications Web Site
To obtain the most recent up-to-date information on this or any other device, subscribe to NXPs' Newsletter by selecting the Page Actions pull-down arrow: 

10 Revision history

Revision	Date	Description of changes
1.0	10/2010	<ul style="list-style-type: none">Initial Release
2.0	7/2016	<ul style="list-style-type: none">Added section 3.3 If using the KITUSBSPIEVME, the dongle needs reworked on the SI connection as shown in Figure 2.Updated to NXP document form and style

How to Reach Us:**Home Page:**[NXP.com](http://www.nxp.com)**Web Support:**<http://www.nxp.com/support>

Information in this document is provided solely to enable system and software implementers to use NXP products. There are no expressed or implied copyright licenses granted hereunder to design or fabricate any integrated circuits based on the information in this document. NXP reserves the right to make changes without further notice to any products herein.

NXP makes no warranty, representation, or guarantee regarding the suitability of its products for any particular purpose, nor does NXP assume any liability arising out of the application or use of any product or circuit, and specifically disclaims any and all liability, including without limitation, consequential or incidental damages. "Typical" parameters that may be provided in NXP data sheets and/or specifications can and do vary in different applications, and actual performance may vary over time. All operating parameters, including "typicals," must be validated for each customer application by the customer's technical experts. NXP does not convey any license under its patent rights nor the rights of others. NXP sells products pursuant to standard terms and conditions of sale, which can be found at the following address:

<http://www.nxp.com/terms-of-use.html>.

NXP, the NXP logo, Freescale, the Freescale logo, and SMARTMOS are trademarks of NXP B.V. All other product or service names are the property of their respective owners. All rights reserved.

© 2016 NXP B.V.

Document Number: KT33982UG

Rev. 2.0

7/2016

