



UM10198

LPC3180 User Manual

Rev. 01 — 6 June 2006

User manual

Document information

Info	Content
Keywords	LPC3180; ARM9; 16/32-bit ARM microcontroller
Abstract	User manual for LPC3180

PHILIPS

Revision history

Rev	Date	Description
01	20060606	Initial version

Contact information

For additional information, please visit: <http://www.semiconductors.philips.com>

For sales office addresses, please send an email to: sales.addresses@www.semiconductors.philips.com

1. Introduction

The LPC3180 is an ARM9-based microcontroller for embedded applications requiring high performance combined with low power dissipation.

It achieves these objectives through the combination of Philips' state-of-the-art 90 nanometer technology with an ARM926EJ-S CPU core with a Vector Floating Point co-processor and a large array of standard peripherals including USB On-The-Go.

The microcontroller can operate at over 200 MHz CPU frequency (about 220 MIPS per ARM Inc.). The ARM926EJ-S CPU incorporates a 5-stage pipeline and has a Harvard architecture with separate 32 kB Instruction and Data caches, a demand paged MMU, DSP instruction extensions with a single cycle MAC, and Jazelle Java Byte-code execution hardware. A block diagram of the microcontroller is shown in Figure 1.

Power optimization in this microcontroller was a key objective and has been accomplished through process and technology development (Intrinsic Power), and architectural means (Managed Power).

The LPC3180 also incorporates an SDRAM interface, NAND Flash interfaces, USB 2.0 Full Speed interface, seven UARTs, two I²C interfaces, two SPI ports, a Secure Digital (SD) interface, and a 10-bit A/D converter in addition to many other features.

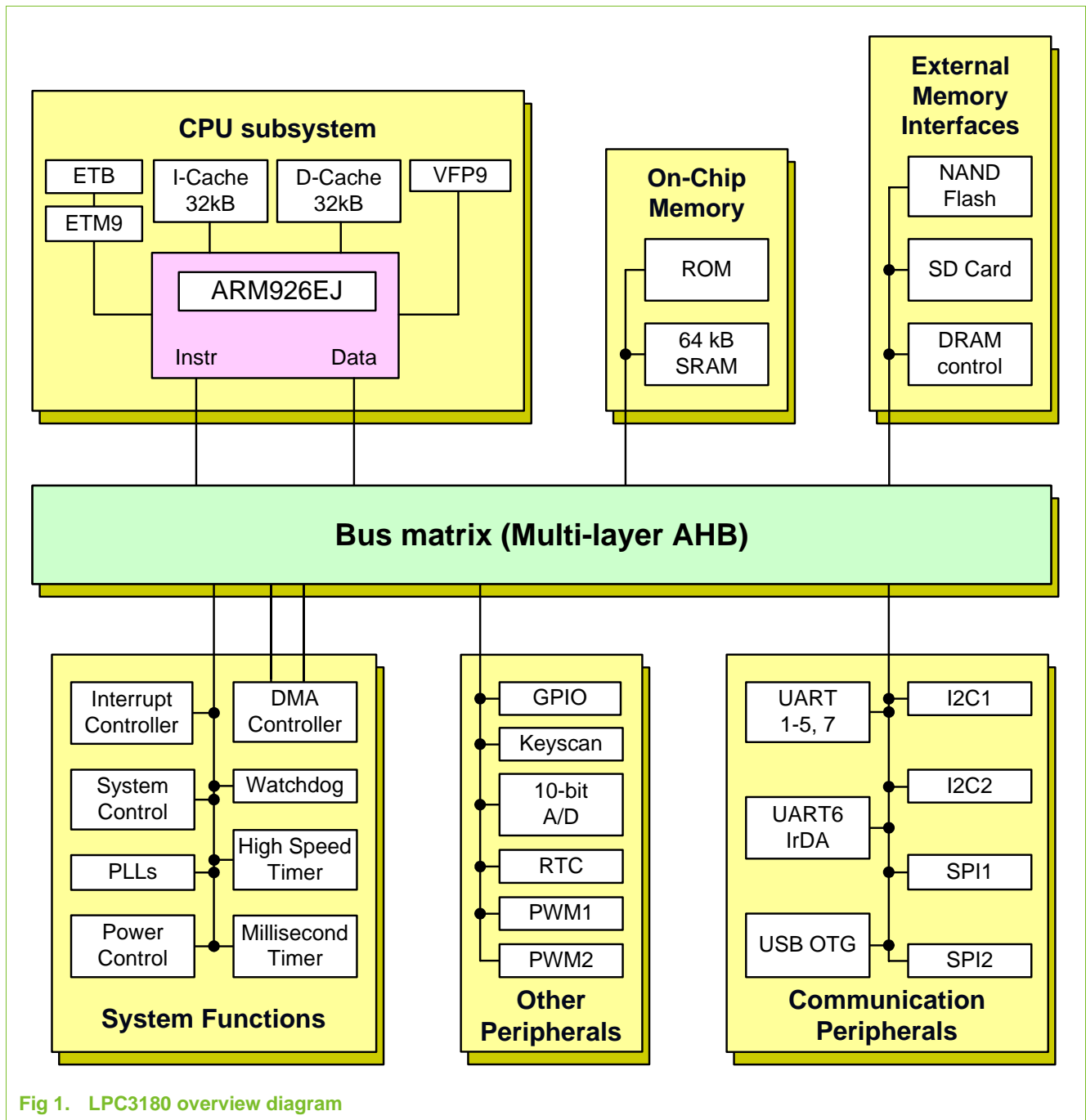


Fig 1. LPC3180 overview diagram

2. Features

- ARM926EJS processor, running at up to 208 MHz.
- 32 kB instruction cache and 32 kB data cache.
- 64 kB of SRAM.

- Multilayer AHB system that provides a separate bus for each AHB master, including both an instruction and a data bus for the CPU, two data busses for the DMA controller. and another bus for the USB controller. There are no arbitration delays unless two masters attempt to access the same slave at the same time.
- External memory controller that supports DDR and SDR SDRAM.
- Two NAND Flash controllers. One supports single level NAND Flash devices. The other supports multi-level NAND Flash devices.
- Interrupt Controller, supporting 60 interrupt sources.
- General Purpose AHB DMA controller (GPDMA) that can be used with the SD card port, the high-speed UARTs, and SPI interfaces, as well as for memory-to-memory transfers.
- Serial Interfaces:
 - USB Device, Host (OHCI compliant), and OTG block with on-chip Host/Device PHY and associated DMA controller. A dedicated PLL provides the required 48 MHz USB clock.
 - Four standard UARTs with fractional baud rate generation, one with IrDA support, all with 64 byte FIFOs.
 - Three high-speed UARTs. Intended for on-board communications up to 921,600 bps with a 13 MHz main oscillator.
 - Two SPI controllers.
 - Two single master only I²C-bus Interfaces with standard open drain pins.
- Other Peripherals:
 - Secure Digital (SD) memory card interface.
 - General purpose input, output, and I/O pins. Includes 12 GP input pins, 24 GP output pins, and six GP I/O pins.
 - 10 bit, 32 kHz A/D Converter with input multiplexing from 3 pins.
 - Real Time Clock with separate power pin, clocked by a dedicated 32 kHz oscillator. Includes a 32 byte scratchpad memory. The RTC is implemented in a separate power domain so that it can remain active while the rest of the chip is not powered.
 - 32-bit general purpose high speed timer with 16-bit pre-scaler. Includes one external capture input and a capture connection to the RTC clock. Interrupts may be generated using 3 match registers.
 - 32-bit Millisecond timer driven from the RTC clock. Interrupts may be generated using 2 match registers.
 - Watchdog Timer. The watchdog timer is clocked by PERIPH_CLK.
 - Two PWM blocks. Up to 50 kHz output rate with a 13 MHz system clock.
 - Keyboard scanner function allows automatic scanning of up to an 8x8 key matrix.
 - Up to 18 external interrupts.
- Standard ARM Test/Debug interface for compatibility with existing tools.
- Emulation Trace Buffer with 2K x 24 bit RAM allows trace via JTAG.
- Stop mode saves power, while allowing many peripheral functions to restart CPU activity.
- On-chip crystal oscillator.

- On-chip PLL allows CPU operation up to the maximum CPU rate without the need for a high frequency crystal. Another PLL allows operation from the 32 kHz RTC clock rather than the external crystal.
- Boundary Scan for simplified board testing.
- 320 pin TFBGA package.

3. Microcontroller CPU and peripherals

The ARM926EJ core is coupled to 32 kB each of Instruction and Data Cache and a further 64 kB of internal (on-chip) SRAM for very high performance. The E suffix means that the core has DSP instructions such as single cycle multiply-accumulate and saturating arithmetic and the J suffix means that the core has the ARM Jazelle Java execution machine on-board. In addition, the ARM926EJ has a full MMU which enables large Operating systems such as Linux, Windows CE, etc. to run with full task protection. Linux ports are available for the ARM926EJ from various suppliers and it is a very popular Linux machine. Its various sub-systems and peripherals are described as follows:

3.1 Vector Floating-Point (VFP) co-processor

This CPU co-processor provides full support for single-precision and double-precision add, subtract, multiply, divide, and multiply-accumulate operations at CPU clock speeds. It is compliant with the IEEE 754 standard. and enables advanced Motor control and DSP applications. The VFP has 3 separate pipelines for Floating-point MAC operations, Divide or square root operations, and Load/Store operations. These pipelines can operate in parallel and can complete execution out of order. All single-precision instructions, except divide and square root, take one cycle. Double-precision multiply and multiply-accumulate instructions take two cycles. The VFP also provides format conversions between floating-point and integer word formats.

The microcontroller has a Multi-layer AHB Matrix for inter-block communication. AHB is the ARM High-speed Bus, which is part of the ARM Bus architecture. AHB is a high-bandwidth low-latency bus that supports multi-master arbitration and a bus grant/request mechanism. For systems where there is only one bus master (the CPU), or where there are two masters (CPU and DMA) and the CPU does not generally need to contend with the DMA for program memory access (because the CPU has access to memory on its local bus or has caches or another AHB bus etc.), this arrangement works well. However, if there are multiple bus masters and the CPU needs access to external memory, a single AHB bus can cause a bottleneck. ARM's solution to this was to invent Multi-layer AHB which replaces the request/grant and arbitration mechanism with a multiplexer fabric that pushes arbitration to the level of the devices. Thus, if a CPU and a DMA controller want access to the same memory, the multi-layer fabric will arbitrate between the two on granting access to that memory. This allows simultaneous access by bus masters to different resources at the cost of increased arbitration complexity. As with all trade-offs, the pros and cons must be analyzed. For a Microcontroller operating at 200 MHz, removing guaranteed central arbitration in case more than one bus master is active in favor of occasional local arbitration gives better performance.

The blocks outside the CPU can be roughly split into Memory Controllers, Serial Communication, I/O, Timers/Counters and Real-Time Clock, System Control, and Debug and Trace Blocks. These are described as follows.

3.2 Memory controllers

External Memory controller (EMC): This Peripheral can use high-speed SDRAM as well as NAND Flash. A DMA engine is connected to the EMC to allow DMA bus-master driven transfers from and to external memory. This memory controller has write buffering built in and is able to prioritize between different masters. It has a peak bandwidth of 400 MB/s. SDRAMs of up to 1 Gbit and up to 32-bits wide can be connected directly to the bus. If a memory bus narrower than 32 bits is used, many of the unused data bus bits can be used for GPIO.

NAND Flash Controller: Both Multi-level and single level NAND Flash can be connected directly to the microcontroller. Up to 2 Gbit, 8-bit wide memory is supported. Internal ECC circuitry calculates column and row error correction values, and single bit errors can be detected and corrected by the software.

3.3 Serial communication peripherals

The LPC3180 has a large array of high-speed serial peripherals which are generally all supported by DMA channels and have FIFO buffering to reduce CPU interrupt overhead. The peripherals are:

USB 2.0 Full-Speed Triple Mode block — This IP Block is designed to offer the most versatility to the user by operating in Device, Host, and On-The-Go (OTG) Modes under Program control. An external Philips transceiver (ISP1301) is programmed via a dedicated I²C-bus to set up the parameters for OTG transfers. OTG mode also has Car-Kit compatibility allowing UART operation over the USB lines for certain applications. The Host mode is OHCI compliant and includes the Root Hub function for one device (since this is a point-to-point connection only). Sixteen logical (32 physical) Endpoints are supported with full support for maximum packet size transfers in Isochronous and Bulk modes. This peripheral has a 4 kB RAM as an Endpoint buffer which allows double buffering of full-size Isochronous packets (1023 bytes each). Finally, it has a dedicated DMA engine which can traverse a list of Transfer Descriptors to off-load the CPU of packet transfer duties. USB Driver Software will be provided by Philips (as example source code) and by 3rd parties as professional level software.

UARTs — The Microcontroller has 7 UARTs. Four of these are 16XC50 compatible and two are Higher-speed devices. One has hardware flow control. All of the UARTs have 64-byte Receive/Transmit FIFOs with programmable watermark capability. Three of the UARTs support DMA transfers and all have loopback modes for testing. Maximum data transfer rate is 921.6 kbit/s. One of the UARTs also has an IrDA interface encoder and decoder which converts the UART data to an IrDA frame.

SPI — There are two 3-wire SPI channels. These are Master SPI blocks and are supported by DMA transfers for transmit and receive. The word length can be from 1 to 16 bits in length and both have 64 byte FIFOs. Data rates of up to 52 Mbits/sec are supported.

I²C-bus — This interface is a 400 kHz master block. Transmit and Receive are buffered by 4-word FIFOs and there is an interrupt dedicated to this block.

Secure Digital (SD) Card interface — The SD card standard is one of the fastest growing plug-in card standards in the industry. The microcontroller has an SD Host Controller which can transfer data at up to 25 MHz over the 4-bit SD data interface (100 Mbits/sec). The SD Controller has a 16 entry FIFO and supports DMA transfers.

3.4 I/O

There are 42 multi-function general purpose I/O lines. If a 16-bit wide SDRAM data interface is used, then a further 13 lines are made available. The GPIO lines have Atomic Bit Set/Reset capability which allows pins to be allocated per software task and allows each task to update its pin or pins without affecting any other pin state. This also allows peripherals that have pins which reflect hardware events (such as interrupts) to not be overwritten unknowingly. Atomic Bit Set/Reset is a necessity with RISC architectures which do not support Read-Modify-Write at a hardware bit level basis (doing this in software or at a bus controller level does not completely address the problem).

3.5 Timer/counters and Real-Time Clock (RTC)

The Microcontroller has a high-speed timer with 32-bit Capture and Match registers for high-resolution capture and matching of events. There is also a one-millisecond timer with an interrupt that can be used to provide a real-time tick to an OS.

A 32-bit Watchdog timer can generate internal as well as external resets. This capability allows synchronizing hardware system resets with internal ones. It serves to notify the system that a Watchdog Reset took place as well, which can be a sign that a software or hardware malfunction has occurred.

Two 8-bit PWMs are provided which can be clocked separately by either the Real-Time clock 32 kHz signal or the crystal input frequency.

The Real-Time Clock has a special power domain independent of the rest of the chip and is designed both to be very low power as well as to work down to low voltage levels (follow a discharging battery). It has 32 words of SRAM that can be used to hold data between microcontroller power cycles. The RTC generates a one-second tick from a dedicated 32 kHz crystal oscillator and uses 32-bit registers which should never need resetting (since it counts to maximum in 136 years, this is probably OK).

3.6 System control and analog blocks

These are the blocks responsible for Clock generation, Reset, Power-up and Booting of the chip. There is also a 10-bit A/D converter on-chip that can run at up to 400 kHz sampling frequency.

Clock generation: There are 2 main clock sources. The main crystal oscillator which shares the power domain of the microcontroller and a 32 kHz oscillator which drives the RTC and has its own power domain to keep the RTC alive. The main clock is multiplied up by a PLL to generate the high-speed CPU clock (max. 208 MHz). The RTC 32 kHz clock can also be multiplied up and used as an input to the main PLL so that the entire microcontroller can run from the RTC oscillator clock. Note that having two PLLs in series increases the jitter. Therefore the main crystal oscillator must be used to generate the USB clock. All other sub-systems can use the up-multiplied RTC clock.

Boot-up on Powering on the chip is handled by an on-chip Boot Loader in ROM that looks at the state of a pin to see if it should attempt to download a program over a serial link (UART) or download a program from NAND Flash and then branch to it. Since the Boot loader is in ROM it takes no user memory space.

3.7 Debug and trace blocks

The microcontroller uses the standard ARM Enhanced JTAG Debug interface and, therefore, works with all standard ARM Development tools and hardware. Evaluation and development boards will be available from third party vendors. Software development and debugging tools and compilers from many vendors including ARM are available now and are well proven and mature.

Embedded Trace support is provided through use of an ETB (Embedded Trace Buffer) RAM block which stores Trace information in on-chip RAM to be read out later via the CPU or the E-JTAG interface. This saves over 20 pins and enables true Real-time operation over the Trace window. Both Data and Instruction values can be traced. The trace information is saved to a 45-byte FIFO whose contents are transferred to the ETB in Real-time.

3.8 Architectural power management

Several techniques are employed to allow full user control and customizing of power management as follows:

1. Programmable clock enabling: Each Peripheral and AHB Matrix has a selectable Clock Enable bit. Thus the user can control which combinations of peripherals he enables for his particular system design and also when to enable them. Further, several peripherals have local power savings means (such as sleep modes) for more power savings.
2. Low-Voltage Operation: The microcontroller is able to operate down to 0.9 Volts which reduces power tremendously (dynamic power is reduced by more than 50 % over 1.2 V operation) but requires operation at lower clock frequencies. This is suitable for very low power standby modes where system operation is required but performance can be compromised. The chip has a pin indicating that the chip is in a low power state so that the software can manage the system accordingly.
3. PLL Clock control: The system has full control over the PLL multiplier and can therefore manage this aspect of power. Note that high-speed DRAM control must be taken into account so that Refresh rates are maintained in low speed modes.
4. STOP mode: In this mode, the AHB Matrix clock is disabled and the ARM clock is stopped. This is basically a Static-power-only mode.
5. AHB Bus Matrix Clock Control: The ARM CPU clock can be divided by a factor of 2, 4, or 8 to derive the Peripheral Bus clock. This can be used as a power control mechanism if only low bandwidth transfers are to be handled. Note that the CPU can execute out of its local 64 kB of SRAM and does not need to access the DRAM continuously (of course it also has caches).
6. System operation on RTC Clock: The RTC oscillator uses a 32 kHz crystal and runs at much lower power than the main crystal oscillator. A dedicated PLL is available which multiplies the RTC clock to a frequency where it can be further multiplied by the main PLL to generate the > 200 MHz CPU clock. In the case where the increased jitter caused by cascading PLLs is acceptable, this allows for lower power operation.
7. Power domain switching: The RTC clock is on a separate power domain and also has 32 words of low-power SRAM. To save the maximum amount of power, the microcontroller power can be turned off altogether while keeping the RTC alive with some critical system information that can be saved between power cycles. This also eliminates leakage current power consumption.

Using all the power management techniques allows for very flexible power management and permits power consumption to be tailored to required computational and peripheral operation requirements.

4. Block diagram

The following block diagram shows the bus connections between the CPU, peripherals, and external memory.

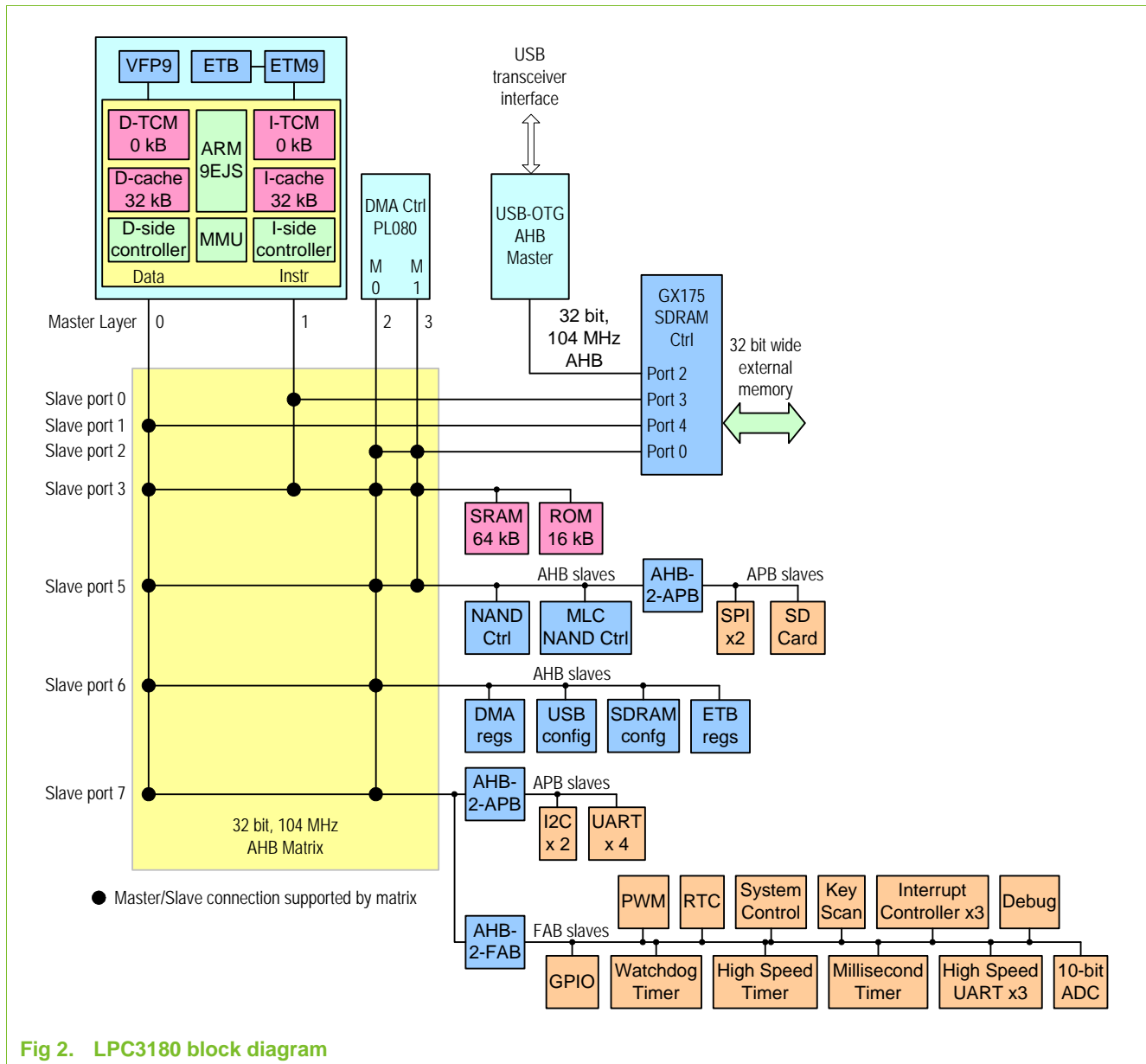


Fig 2. LPC3180 block diagram

1. Bus architecture and memory map

[Figure 2-3](#) shows the memory map for the AHB Matrix. This view represents all address sources except the USB interface.

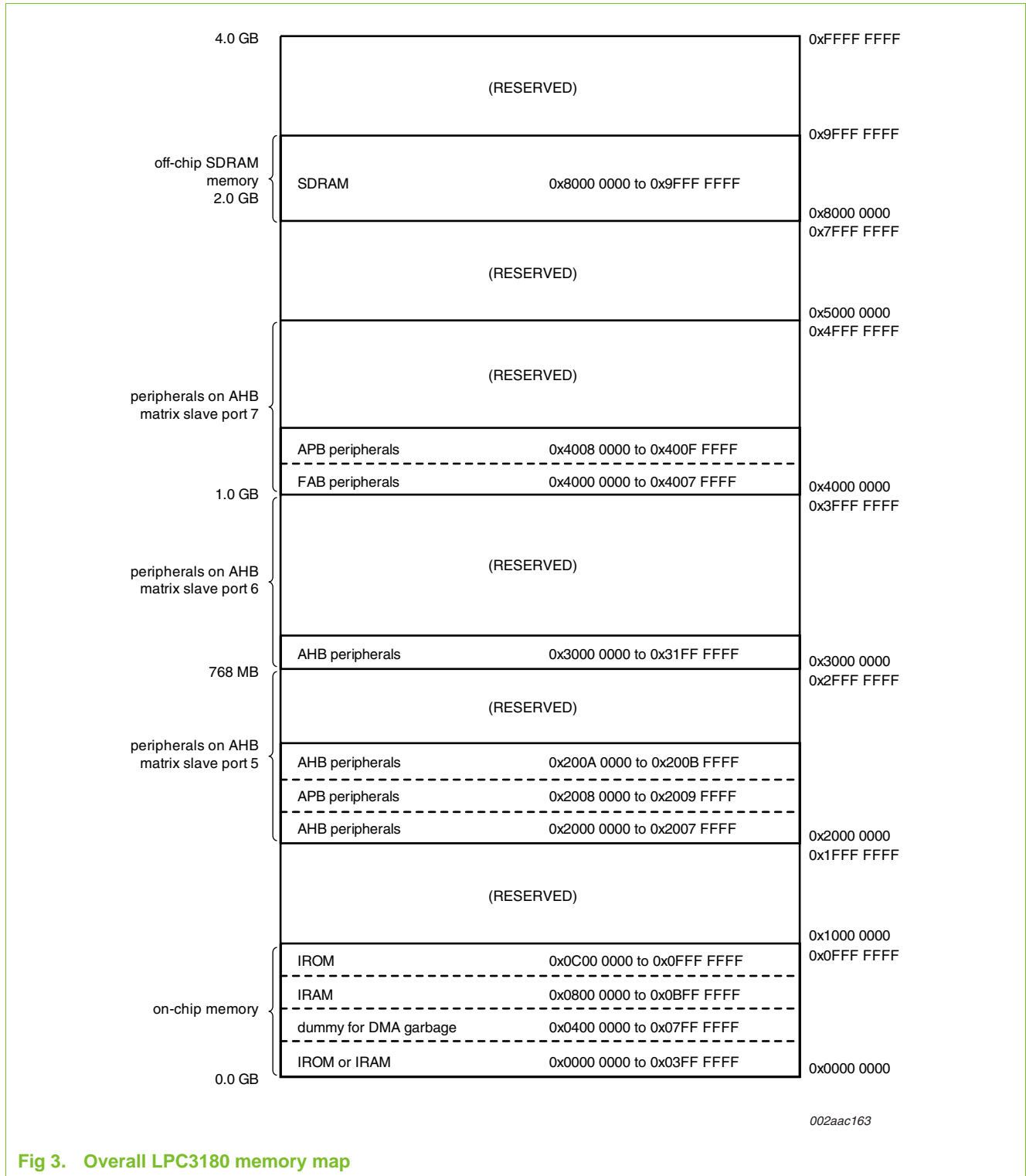


Fig 3. Overall LPC3180 memory map

1.1 CPU memory space

The following table gives the address spaces for the LPC3180, as seen by the AHB Matrix.

Table 1. Overview of LPC3180 memory spaces

Address	Function
0x0000 0000 to 0x0FFF FFFF	On-Chip Memory on AHB Matrix slave 3 (see Figure 2-4): 0x0000 0000 to 0x03FF FFFF = IROM or IRAM. 0x0400 0000 to 0x07FF FFFF = Dummy space for DMA. Reads as all zeroes, write has no effect. 0x0800 0000 to 0x0BFF FFFF = IRAM (64 kB populated). 0x0C00 0000 to 0x0FFF FFFF = IROM (16 kB populated).
0x1000 0000 to 0x1FFF FFFF	Reserved
0x2000 0000 to 0x2FFF FFFF	Peripherals on AHB Matrix slave 5 (see Figure 2-4): 0x2000 0000 to 0x2007 FFFF = AHB peripherals. 0x2008 0000 to 0x2009 FFFF = APB peripherals. 0x200A 0000 to 0x200B FFFF = AHB peripherals.
0x3000 0000 to 0x3FFF FFFF	Peripherals on AHB Matrix slave 6 (AHB peripherals)
0x4000 0000 to 0x4FFF FFFF	Peripherals on AHB Matrix slave 7 (see Figure 2-4): 0x4000 0000 to 0x4007 FFFF = FAB peripherals. 0x4008 0000 to 0x400F FFFF = APB peripherals.
0x5000 0000 to 0x7FFF FFFF	Reserved
0x8000 0000 to 0x9FFF FFFF	Off-Chip SDRAM Memory space, 512 MB in size. Accessed as follows: <ul style="list-style-type: none"> • ARM 9 instruction fetch via AHB Matrix slave port 0 to EMC port 3. • ARM 9 data access via AHB Matrix slave port 1 to EMC port 4. • DMA controller (both channels) via AHB Matrix slave port 2 to EMC port 0.
0xA000 0000 to 0xFFFF FFFF	Reserved

1.2 USB memory space

The USB interface exists on a separate AHB bus, and can only access the SDRAM. It uses the same address mapping for SDRAM, but can only access the bottom half (256 MB) of the full SDRAM space. Addresses outside this space will alias back into the bottom half of the SDRAM space, so care must be taken to avoid inadvertent address wrap-around.

Table 2. USB memory space

Address	Function
0x8000 0000 to 0x8FFF FFFF	Off-Chip SDRAM Memory space, 256 MB in size.

2. Peripheral addresses

[Table 2-3](#) shows the base addresses of the peripheral devices present on the LPC3180.

Table 3. Peripheral devices on the LPC3180

Base Address	Peripheral	AHB Slave Port	Peripheral Type
0x2002 0000	SLC NAND Flash controller	5	AHB
0x2008 8000	SPI1	5	APB
0x2009 0000	SPI2	5	APB
0x2009 8000	SD card interface	5	APB
0x200A 0000	MLC NAND Flash controller	5	AHB
0x3100 0000	DMA controller	6	AHB
0x3102 0000	USB interface	6	AHB
0x311E 0000	ETB data	6	AHB
0x4000 4000	System control functions	7	FAB
0x4000 8000	Master interrupt controller	7	FAB
0x4000 C000	Slave interrupt controller 1	7	FAB
0x4001 0000	Slave interrupt controller 2	7	FAB
0x4001 4000	High speed UART 1	7	FAB
0x4001 8000	High speed UART 2	7	FAB
0x4001 C000	High speed UART 7	7	FAB
0x4002 4000	RTC	7	FAB
0x4002 4080	RTC internal SRAM	7	FAB
0x4002 8000	GPIO	7	FAB
0x4003 4000	Millisecond timer	7	FAB
0x4003 8000	High speed timer	7	FAB
0x4003 C000	Watchdog timer	7	FAB
0x4004 0000	Debug	7	FAB
0x4004 8000	ADC	7	FAB
0x4005 0000	Keyboard Scan	7	FAB
0x4005 4000	UART control register (general UART control)	7	FAB
0x4005 C000	PWM1 and PWM2	7	FAB
0x4008 0000	UART 3	7	APB
0x4008 8000	UART 4	7	APB
0x4009 0000	UART 5	7	APB
0x4009 8000	UART 6	7	APB
0x400A 0000	I2C1	7	APB
0x400A 8000	I2C2	7	APB

3. Bus architecture

3.1 Block diagram, AHB matrix view

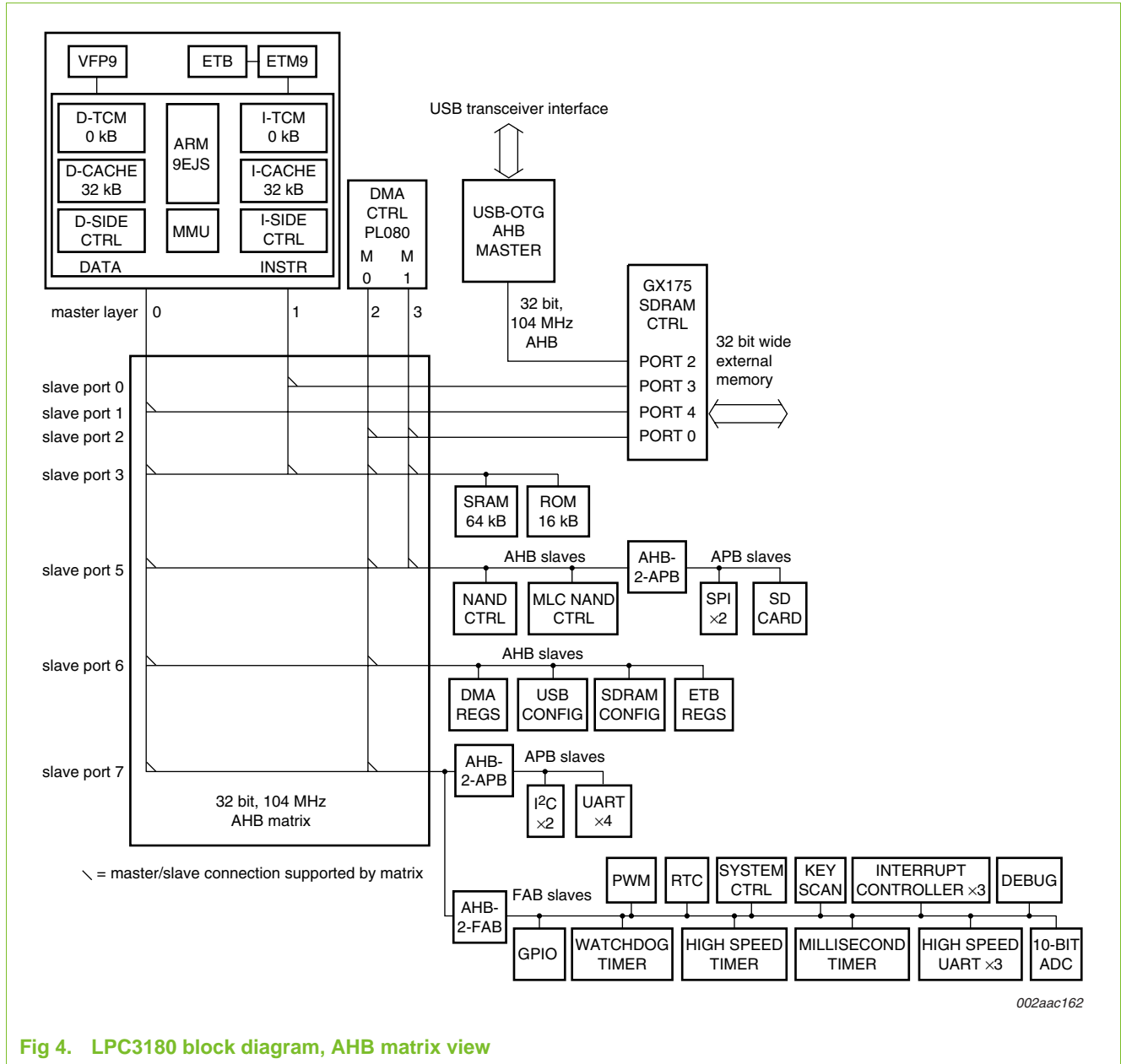


Fig 4. LPC3180 block diagram, AHB matrix view

The AHB Bus Matrices connect AHB Masters to AHB slaves. One of the benefits using Matrices is that it supports parallel AHB transfers. The maximum parallelism is that all 4 masters to the SDRAM controller can perform an AHB transfer at the same time. Note however that the 4 ports to the SDRAM controller converge to a single physical SDRAM bus which is limited to only one data transfer at a time. The SDRAM controller can still take advantage of this architecture by its ability to overlap the data transfer with command for the next transfer.

The AHB Matrix supports the AHB Lite bus standard. This means that there is no Bus request / grant arbitration and no split/retry signaling.

3.2 AHB matrices

The AHB bus matrix and the AHB from the USB block to the SDRAM controller run from HCLK. The clock to the AHB attached to the USB block can be stopped when the USB is not in use. This will reduce power consumption.

The AHB Matrix schedules Master requests for each slave port as follows:

1. The master with the highest priority requesting the slave port will receive it regardless of the underlying uniform scheduling algorithm.
2. If all masters have the same priority, then the master selected by the uniform scheduler is given the slave port.
3. If no master is requesting the slave port, the slave port will generate idle cycles with all HSEL signals inactive. No address or data signals will toggle.
4. When a master asserts its LOCK signal, once it has been granted the slave port it will remain granted until the lock is removed.

Whenever a slave port's current master issues a non sequential or idle access, and the LOCK signal is inactive, the slave port is re-arbitrated.

The AHB Matrix has the following attributes:

- No memory space access check. (All the 4 GB address range is valid).
- 32 bit wide data busses.
- Master bus access control enabled.
- Each master only has access to the slave ports shown in the block diagram.

The Master bus access control functionality is mainly used for stopping masters from doing AHB transfers when the ARM enters debug mode. The ARM DBG_ACK signal is used to activate the 'disable_req' signals going into the AHB Matrix. The Matrix allows the current transfer for each master complete to before it inactivates the AHB_GRANT signal to the master, so that no data is lost. It also activates the 'disable_grant' signal for the ARM to read status. Software may also force the Matrix to disable AHB_GRANT to the masters.

Note: A Fetch Abort or a Data Abort resulting from an access to any AHB slave is considered a software bug. Software must treat such exceptions as unrecoverable errors.

3.3 Bus bridges

3.3.1 AHB to FAB bridge

A Fast Access Bus (FAB) bridge interfaces a number of FAB slaves to AHB Matrix Slave Port 7. The registers in these slaves are clocked by HCLK.

Write accesses to FAB peripherals take a single HCLK cycle, read accesses take two HCLK cycles. Write accesses are accomplished using write holding registers. Read accesses are done directly from the slave. Logic is included to prevent read-back of registers that have a write in the process of being completed.

FAB slaves are clocked by PERIPH_CLK even though they are connected to a bus running at full HCLK speed.

3.3.2 AHB to APB bridges

There are two AHB to APB bridges, one on Slave Port 7 and one on Slave Port 5.

3.4 Transfer performance

3.4.1 Matrix throughput

Bandwidth is reduced if two or more Masters compete for the same slave layer. This situation is likely to happen on SDRAM accesses even though there are 4 SDRAM slave ports. To maximize CPU performance, one Slave Port is assigned to instruction fetch, and another to data access.

3.4.2 SDRAM throughput

The SDRAM controller will have the highest throughput if many AHB slave ports are used because it can buffer single write accesses and it may overlap the end of one transfer with the start of a new one.

3.5 Arbitration

If there is more than one master accessing the same slave port, the AHB Matrix schedules the accesses using an arbiter. The arbitration scheme used by the AHB Matrix is a round robin scheduling. In general this is a good algorithm for avoiding extremely long latencies since no master can occupy any slave port for more than one burst period. The longest burst is 8. Masters with the same priority level will be arbitrated using round robin.

In addition to the AHB Matrix arbiter, the SDRAM controller also has an arbiter prioritizing among requests from the four AHB data ports. AHB port 0 has highest priority. In addition, each data port has a time-out counter with programmable time-out. Whenever a time-out occurs, the priority is raised.

3.6 Data coherency

3.6.1 SDRAM

Data coherency between different AHB data ports is only guaranteed if write buffering is disabled. This is done by programming the E bit to 0 in MPMCAHBControl0-4 registers. However this will reduce write performance.

3.6.2 ARM CPU

Any address range being defined as copy-back cache type may have a data coherency problem. There is no insurance that any other master can access the correct data. Solutions is to change cache type for these kinds of data or to force cache write-backs from ARM software.

1. System control block

The System Control Block includes system features and control registers that are not directly related to specific chip functions. These include chip reset and Boot Map control.

1.1 Reset

Reset is accomplished by an active LOW signal on the RESET_N input pin. A reset pulse with a minimum width of 10 oscillator clocks after the oscillator is stable is required to guarantee a valid chip reset. At power-up, 10 milliseconds should be allowed for the oscillator to start up and stabilize after VDD reaches operational voltage.

An internal reset with a minimum duration of 10 clock pulses will also be applied if the watchdog generates an internal device reset. Details of Watchdog Timer operation may be found in the Watchdog Timer chapter.

Most on-chip registers are loaded with a pre-defined value upon occurrence of an internal or external reset. Note that only a few bits in the Real Time Clock are affected by an internal or external reset. Other RTC registers and bits are not modified by reset so that the RTC can continue operation independent of chip reset.

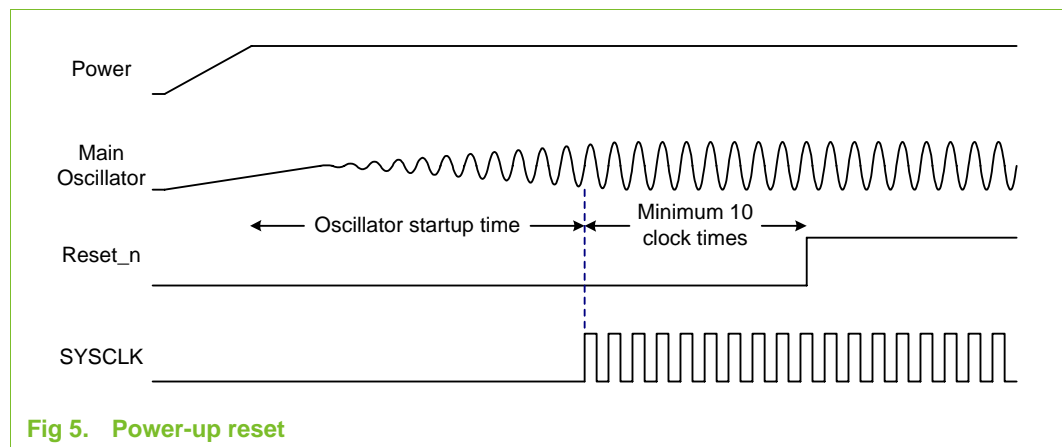


Fig 5. Power-up reset

1.2 Boot Map control register (BOOT_MAP - 0x4000 4014)

Selects Internal ROM or Internal RAM to be located at the ARM reset vector. Upon reset, the ARM will execute code beginning at address 0x0000 0000. By default this address will map to IROM memory containing instructions from the boot code. Both IROM and IRAM are available at other addresses at all times (see the Bus Architecture and Memory Map chapter). IRAM is switched in during the boot process so that the application has IRAM for all exception vectors. Code execution must not be within the switched address space when the memory switch takes place.

Table 4. Boot map control register (BOOT_MAP - 0x4000 4014)

Bit	Function	Reset value
0	0 = IROM located at address 0x0000 0000 1 = IRAM located at address 0x0000 0000	0

Additional information about the Boot procedure may be found in the Boot Process chapter.

1. Introduction

The LPC3180 provides detailed control of clock usage among chip functions, allowing fine tuning of power consumption in the target application. Most clocks can be disabled either globally or at an individual peripheral. Clock frequencies can be separately controlled through the use of PLLs, multiplexers, and dividers.

This section describes the generation of the various clocks needed by the LPC3180 and options of clock source selection, as well as power control and wakeup from reduced power modes. Functions described in the following subsections include:

- Clocking and power control
 - Clock identification
 - Default clock settings
- Power reduction modes
 - RUN, Direct RUN, and STOP modes
 - Start controller
 - Autoclocking
- Oscillators
- PLLs
- Clock dividers
- Clock usage in peripheral blocks
- Register description

2. Overview

Clocking in the LPC3180 is designed to be versatile, so that system and peripheral requirements may be met while allowing optimization of power consumption. Clocking revolves primarily around the Main Oscillator, which is the basis for the clocks most chip functions use by default. Optionally, many functions can be clocked instead by the output of a PLL (with a fixed 397x rate multiplication) which runs from the Real Time Clock oscillator. In this mode, the Main Oscillator may be turned off unless the USB interface is enabled.

Whichever clock source is selected, a programmable PLL allows the CPU clock to be raised as high as 208 MHz. The AHB bus clock can be derived from that clock and may be as high as 104 MHz.

Clocks to most functions may be individually turned off when those features are not required in the application. In addition, many functions have dedicated clock dividers that may be tuned to provide the required performance without using power unnecessarily.

Another form of power reduction is provided in the form of alternate operational modes. Typically, the CPU is operated from a high frequency clock provided by a PLL. This option is called RUN Mode. At times when the application does not require such performance,

the PLL may be bypassed and the CPU run at a lower rate. This is called Direct RUN Mode. When the CPU has nothing to do but wait for an external event, clocking can be stopped entirely until that event occurs. This is called STOP mode.

Switching between RUN mode and Direct RUN Mode is accomplished entirely under software control. Since the CPU is halted in STOP Mode, hardware must restart clocking when a selected event occurs. This hardware is called the Start Controller.

Details of clocking and power control are found in the following section.

3. Clocking and power control

The LPC3180 includes three operational modes that give control over processing speed and power consumption. In addition, clock rates to different functional blocks may be controlled by changing clock sources, re-configuring PLL values, or altering clock divider configurations. This allows a trade-off of power versus processing speed based on application requirements.

The LPC3180 also implements a separate power domain in order to allow turning off power to the bulk of the device while maintaining operation of the Real Time Clock and a small static RAM.

Power consumption is determined primarily by the clock frequencies used and by which functional blocks are being clocked at any time. Therefore, to minimize power consumption, it is important to turn off clocks to any functional blocks that are not being used. Most functional blocks have a clock enable/disable control contained in a register that is described in this chapter. Some blocks also have more elaborate clock controls.

3.1 Clock identification

All clocking in the LPC3180 is derived from one of two base clock sources. These are OSC_CLK, the output of the main oscillator, and the 13.008896 MHz clock, which is generated by multiplying the 32 kHz RTC clock by 397. This clock is referred to as the 13' clock. The 13' MHz clock has a nominal frequency of 13.008896 MHz and has more jitter than the crystal-based OSC_CLK.

[Table 4–5](#) shows the major clocks that are used throughout the LPC3180 and summarizes how they are used.

Table 5. Clocks and clock usage

Clock Name	Description
OSC_CLK	Main oscillator clock — This clock runs from an external crystal in the range of 1 MHz to 20 MHz, typically 13 MHz. Used by: USB PLL, HCLK PLL, SYSCLK.
RTC_CLK	RTC clock — Based on 32.768 kHz RTC oscillator. Used by: PLL397, Keyscan, ADC, PWM, MS Timer.
SYSCLK	System Clock — Based on the main oscillator frequency (OSC_CLK) or the 13' MHz PLL397 output. Used by: clock generation logic.

Table 5. Clocks and clock usage

Clock Name	Description
ARM_CLK	ARM Clock — Based on the HCLK PLL output, SYSCLK, or PERIPH_CLK. Clock switching and HCLK PLL settings give ARM_CLK a very wide range of potential frequencies. Used by: ARM9 CPU, MSSDCLK.
HCLK	AHB Bus Clock — Based on PERIPH_CLK, SYSCLK, or HCLK PLL output divided by 1, 2, or 4. The AHB HCLK will typically be ARM_CLK divided by 2 but can run at the same frequency as the ARM or be divided by 4. The AHB HCLK frequency should not be set higher than 104 MHz or lower than SYSCLK. Used by: the AHB Matrix and USB AHB, AHB slaves, FAB slaves, and APB slaves.
PERIPH_CLK	Peripheral Clock — Based on SYSCLK or HCLK PLL output divided by 1 to 32. Typically, the PERIPH_CLK divider setting is chosen such that the PERIPH_CLK frequency remains the same when switching from Direct RUN mode to RUN mode, taking into account the HCLK PLL settings. This case occurs when the PERIPH_CLK frequency equals the SYSCLK frequency in RUN Mode. Used by: Many peripheral functions.
USB_HCLK	USB AHB Clock — Based on HCLK, but can be separately disabled if the USB is not in use. Used by: USB AHB.
clk48mhz	USB 48 MHz clock — Based on OSC_CLK. The USB interface must be run from a 48 MHz clock. The USB specification has strict requirements for frequency (500 ppm) and jitter (500 ps). For this reason, the crystal-based OSC_CLK is used as the source for this clock, and must be running while the USB is active. OSC_CLK is divided by 13 before it enters the USB PLL, which must multiply the frequency up to 48 MHz when the USB is to be used. Used by: USB block.
DDRAM_CLK	DDR SDRAM Clock — Based on the HCLK PLL output or SYSCLK, divided by 1 or 2. If DDR SDRAM is used, this clock must be programmed to be twice the HCLK frequency. In RUN mode this is typically the same as the ARM_CLK frequency, but there is support for ARM clocking 4 times as fast as HCLK as well. In Direct RUN mode, it is not possible to generate this clock, so DDR SDRAM cannot be accessed in Direct RUN mode. Used by: SDRAM controller.
MSSDCLK	SD Card Clock — Based on ARM_CLK, divided by 1 to 15.

The overall clock generation and distribution for the LPC3180 is shown in [Figure 4–6](#). The Main oscillator and the RTC oscillator are shown at the lower left of the diagram. To the right of the Main oscillator may be found the clock mode logic, governed by the Start Controller. To the right of the clock mode logic is the HCLK PLL, clock switching logic and clock dividers, which provide clocks to most of the chip. Certain peripherals that are partly clocked by the RTC clock are shown at the lower right of [Figure 4–6](#), while the USB block and its special clocking logic are shown at the top.

Details of how clocks are enabled, switched, and otherwise controlled are contained in the remainder of this chapter.

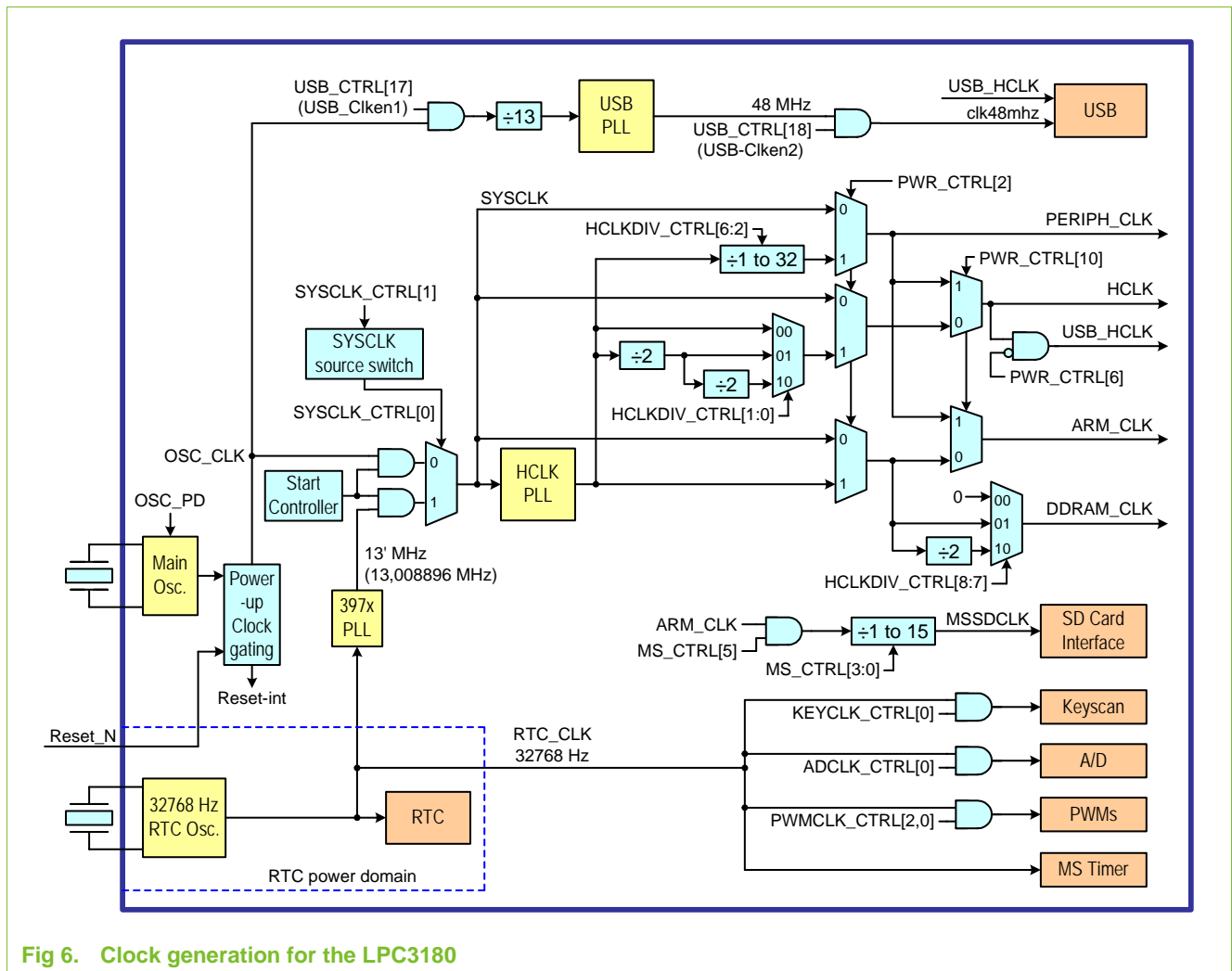


Fig 6. Clock generation for the LPC3180

3.2 Default clock settings

At reset, the main oscillator is turned on, providing OSC_CLK, which is routed to SYSCLK. SYSCLK is then routed to all of the clocks that are enabled at reset: ARM_CLK; HCLK; and PERIPH_CLK.

Following is a summary of clock related settings and other information:

- OSC_CLK: Running, frequency determined by external crystal
- RTC_CLK: Running, frequency = 32.768 kHz if the correct external crystal is present
- SYSCLK: Running, frequency = OSC_CLK
- ARM_CLK: Running, frequency = OSC_CLK
- HCLK: Running, frequency = OSC_CLK
- PERIPH_CLK: Running, frequency = OSC_CLK
- USB_HCLK: Stopped
- clk48mhz: Stopped
- DDRAM_CLK: Stopped

- MSSDCLK: Stopped
- PLL397x: Running, frequency = 13.008896 MHz if RTC_CLK is running and loop control components are present
- HCLK PLL: Powered down, output off
- USB PLL: Powered down, output off

4. Operational modes

The LPC3180 supports three operational modes, two of which are specifically designed to reduce power consumption. The modes are: RUN mode, Direct RUN mode, and STOP mode.

4.1 RUN mode

RUN mode is the normal operating mode for applications that require the CPU, AHB bus, or any peripheral function other than the USB block to run faster than the SYSCLK frequency.

- HCLK is running from the HCLK PLL output divided by 1, 2, or 4. The maximum allowed frequency is 104 MHz.
- ARM_CLK is running from the HCLK PLL output. The maximum allowed frequency is 208 MHz.
- Note that the CPU may be placed in the Wait for Interrupt mode while in RUN mode. Details of the Wait for Interrupt mode may be found in ARM architecture documentation, in register c7 of coprocessor 15.

4.2 Direct RUN mode

Direct RUN mode allows reducing the CPU, AHB, and possibly the PERIPH_CLK rates in order to save power. Direct RUN mode can also be the normal operating mode for applications that do not require the CPU, AHB bus, or any peripheral function other than the USB block to run faster than the SYSCLK frequency. Direct RUN mode is the default mode following chip reset.

- ARM_CLK, HCLK, and PERIPH_CLK are running from SYSCLK: either 13' MHz or OSC_CLK.
- AHB transfers are allowed.
- The HIGHCORE pin drives low and indicates the need for normal core voltage supply. In this mode the core voltage may be stabilizing. It only needs to be stable at nominal level when going to RUN Mode.

Note: the PERIPH_CLK divider (controlled by register bits HCLK_DIV_CTRL[6:2]) is typically configured to produce the same frequency as SYSCLK, thus allowing peripheral functions to operate at the same speed in both RUN and Direct RUN modes.

4.3 STOP mode

STOP mode causes all CPU and AHB operation to cease, and stops clocks to peripherals other than the USB block.

- HCLK is stopped, preventing any AHB communication.

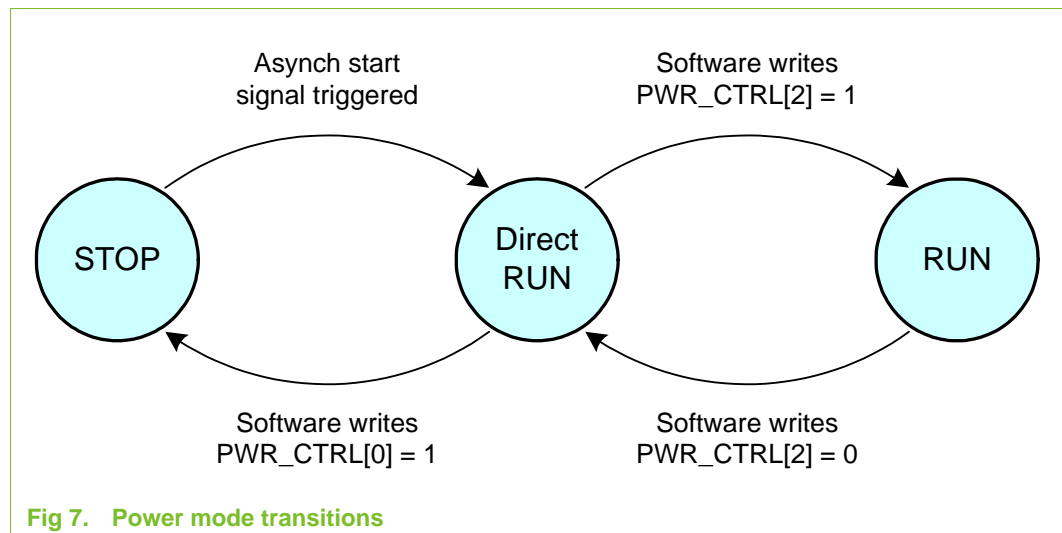
- ARM_CLK is stopped, preventing any instruction execution.
- PERIPH_CLK is stopped, halting most peripheral blocks.
- The HIGHCORE pin drives high to indicate that a lowered core voltage supply is possible.

Note that USB clock generation (from OSC_CLK through clk48mhz, including the main oscillator) is not affected by transitions to RUN mode, Direct RUN mode, or STOP mode. Control of the USB clock is completely separate from these modes.

[Figure 4–7](#) shows the possible transitions between the power modes.

The STOP mode is entered when the “STOP” clock gating circuitry stops SYSCLK, which is the base clock for the ARM subsystem, including all peripherals except the USB block. STOP mode is entered when software writes a one to PWR_CTRL[0] and the “Start activated” signal is inactive (see [Figure 4–8](#)). STOP mode is exited when one of the active start signals generates the correct edge, which is programmable. This will automatically clear PWR_CTRL[0].

When entering STOP mode, the CPU must run from either the main oscillator or the 13' MHz clock from PLL397.



4.4 Start controller and related functions

4.4.1 Start controller

The Start controller provides a means to exit the STOP mode upon occurrence of a number of potential events. These events include interrupts from peripherals that are able to operate without any clock based on SYSCLK, and state changes on selected pins. Each Start source can be individually configured, enabled/disabled, and monitored by software.

The following list summarizes the potential Start sources.

- ADC interrupt
- USB interrupts

- USB_DAT_VP pin
- Millisecond Timer interrupt
- High Speed Timer capture input
- RTC interrupt
- Keyboard scanner interrupt
- GPIO_00 through GPIO_05 pins
- UART 2 and 7 HCTS pins (U2_HTCS and U7_HTCS)
- UART 1 through 5, and UART 7 RX pins (Un_RX)
- UART 6 IRRX pin (U6_IRRX)
- SDIO_INT_N (MS_DIO[1]) pin
- MSDIO_START condition (Logical OR of MS_DIO[3:0] pins)
- GPI_00 through GPI_11 pins
- SYSCLKEN pin
- SPI1 and 2 DATIN pins

[Figure 4–8](#) shows how the Start Controller works and the interaction of the Start feature with other chip functions. Due to the number of potential Start sources, there are two registers for each kind of function related to the Start Controller. One set of registers includes internally generated Start sources, plus some pin sources. The related register names end in ‘_INT’. The second set of registers includes only pin sources. The related register names end in ‘_PIN’.

The bottom of [Figure 4–8](#) shows details of the operation of a single Start source. At the left is the signal that can trigger a Start. Moving to the right, there is a multiplexer that allows selecting which polarity of the signal generates a Start condition. The polarity selection is controlled by a bit in either the START_APR_INT or the START_APR_PIN register. Continuing to the right, there is the flip-flop that records the occurrence of the Start event. The output of this flip-flop provides the raw status of the Start signal (which may be read as a bit in either the START_RSR_INT or the START_RSR_PIN register), prior to masking. Finally, there is the gate that allows enabling or disabling the Start source, as controlled by a bit in either the START_ER_INT or the START_ER_PIN register. The output of this gate represents an event that will actually cause a Start to occur and may be read in either the START_SR_INT or the START_SR_PIN register. Finally, all of the Start sources are combined and used to generate the ‘Start activated’ signal that causes the device to exit STOP Mode.

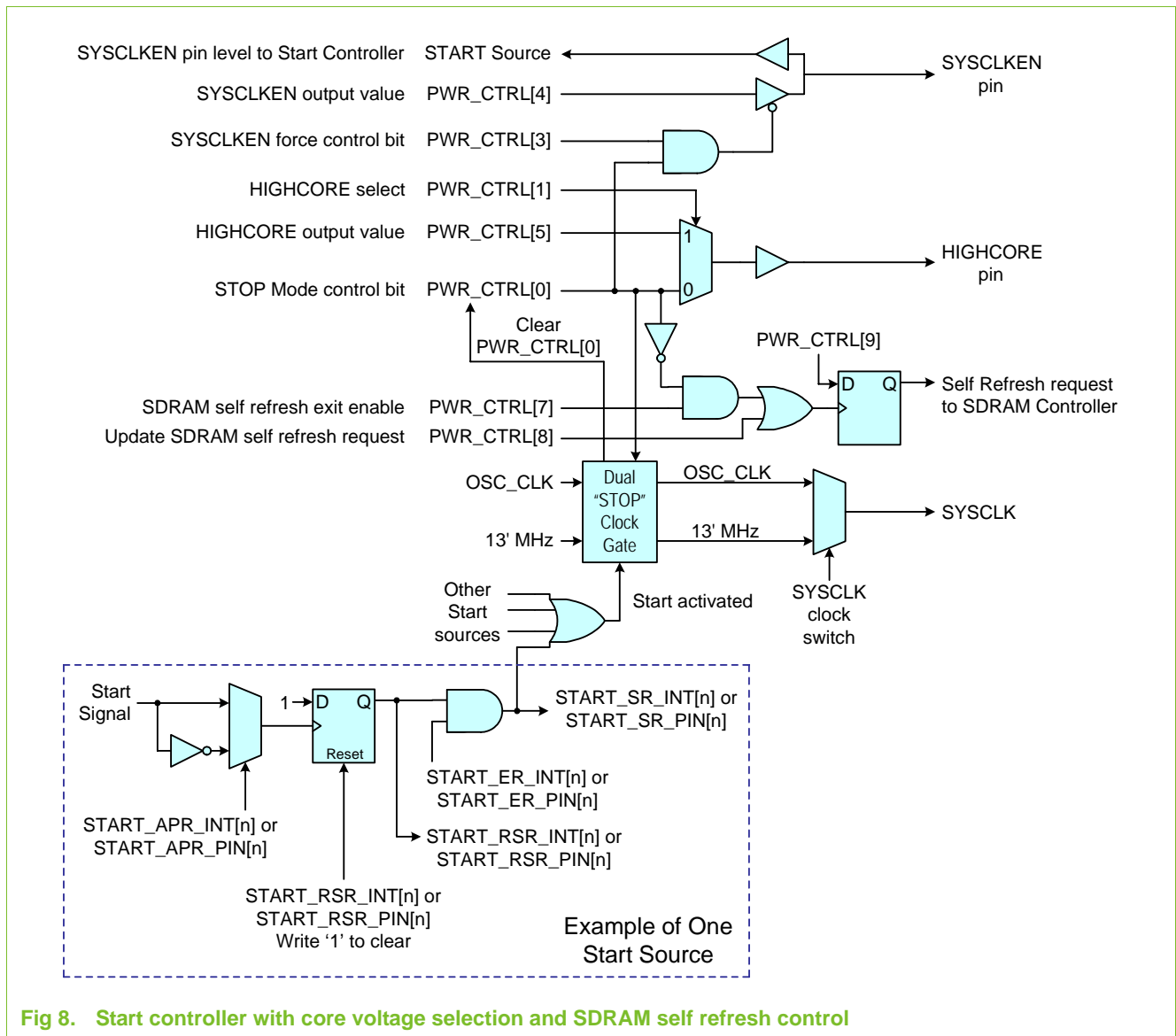


Fig 8. Start controller with core voltage selection and SDRAM self refresh control

The STOP clock gate circuitry prevents any glitches on the output clocks for all timing relationships between start events and clocks. If the “Start activated” signal goes active any time before or at the same time as software writes PWR_CTRL[0] to a 1, STOP mode will not be entered. In this case PWR_CTRL[0] will not be cleared by hardware. Software should always read PWR_CTRL[0] after going out of STOP mode and clear PWR_CTRL[0] if not cleared by hardware.

4.4.2 Core voltage selection

The HIGHCORE output pin may be used to save additional power during STOP Mode or low frequency operation, by signaling external circuitry to lower the core supply voltage. Nominal core supply voltage (1.2 V) must be supplied if all on-chip clocks are running at or below 13 MHz. At 13 MHz or lower, or during STOP Mode, the core supply voltage may be lowered to 0.9 V (see DC specifications for voltage limits). The logic related to the HIGHCORE pin is shown in [Figure 4–8](#).

The HIGHCORE output pin is driven low after reset. A low indicates to an external power supply controller that nominal core voltage is needed. If software writes a 0 to the PWR_CTRL[1] bit, the HIGHCORE pin will drive high during STOP mode. The external power supply controller may then cause the core voltage be lowered to 0.9 V if the SYSCLK frequency is not above 13 MHz. After exit from STOP mode, the core voltage needs to stabilize to the nominal voltage before the ARM can change to higher frequency operation, if needed. The power supply must ensure that any over/under swing on the core voltage is within the operating limits. The USB clock cannot be operated in the low core voltage mode. It is important that software reads PWR_CTRL[0] after exiting from STOP mode. If this bit is 1, it needs to be written to a 0 by software in order to guarantee the correct level on the HIGHCORE pin.

In order to lower the operating voltage at low frequencies when not entering STOP Mode, software must control the value of the HIGHCORE pin. This is accomplished by writing a 1 to the PWR_CTRL[1] bit, causing the value of the PWR_CTRL[5] bit to appear on the HIGHCORE pin. When changing power supply voltages, all operating clocks must be at 13 MHz or lower prior to reducing the core supply voltage and remain there until the core supply voltage has stabilized at the nominal voltage. Only then any of the clock speeds can be increased to above 13 MHz.

4.4.3 SDRAM self-refresh control

The SDRAM Self Refresh Request signal (see MPMCSREFREQ, PWR_CTRL[9]) is an input to the SDRAM controller and takes the SDRAM in and out of self refresh mode. Any external SDRAM devices must be put in self refresh mode before the system enters STOP mode. This is done by software writing a 1 to PWR_CTRL[9] and then writing a 1 and then a 0 to PWR_CTRL[8]. This will the SDRAM Self Refresh Request signal to be asserted. Software must then wait for the SDRAM controller to indicate that it has put the SDRAM in self refresh mode by polling an SDRAM controller register. Before entering STOP mode, software must program PWR_CTRL[9] to 0 and PWR_CTRL[7] to a 1. This will prepare the hardware for de-asserting the SDRAM Self Refresh Request signal as soon as the system exits STOP mode. The logic controlling the SDRAM Self Refresh Request signal is shown in [Figure 4–8](#).

4.4.4 System clock request

The SYSCLK_EN pin can be used as a method to request external circuitry to provide a clock to the Main oscillator input, SYSX_IN. This allows the possibility of turning off an external clock source when the LPC3180 is in STOP Mode. This is not necessary if a crystal is connected to the Main oscillator.

When the PWR_CTRL[3] bit = 0 (the default state), SYSCLKEN is driven high when the chip is not in STOP Mode and can be turned off (high impedance) when STOP Mode is entered.

If the SYSCLKEN function is not needed in the system, PWR_CTRL[3] can be used to force the SYSCLKEN pin to always be turned on (not high impedance) and driven to the level defined by PWR_CTRL[4]. This allows SYSCLKEN to be used as a simple General Purpose output pin.

4.5 Autoclocking

Some peripherals functions (listed in the AUTOCLK_CTRL register description later in this chapter) have autoclocking functionality. This autoclock functionality can be disabled. The autoclock circuitry enables when the device is accessed and disables HCLK automatically when the HCLK is not accessed for a predefined number of cycles. Note that some peripherals also have a software controlled clock gate which can stop all clocks to the autoclock circuitry.

5. Oscillators

As shown in [Figure 4–6](#), there are two crystal oscillators. One is a 32 kHz oscillator that runs the Real Time Clock. This oscillator can be used to run the entire chip (with the exception of the USB block), with SYSCLK equal to 13.008896 MHz through the use of the 397x PLL. The value 13.008896 MHz is referred to as 13' MHz. The USB block cannot be connected to 13' MHz because this would not meet the timing requirements set forth in the USB specification.

If a SYSCLK frequency other than 13 MHz is required in the application, or if the USB block is not used, the main oscillator may be used with a frequency of between 1 MHz and 20 MHz. For USB operation, a frequency of at least 13 MHz must be used in order to satisfy the input requirements of the USB PLL. A 13 MHz crystal or an off the shelf crystal of 16 MHz are recommended in a system requiring USB operation.

5.1 Main oscillator control

Register bit OSC_CTRL[0] will be 0 after reset, causing the main oscillator to run. The external reset input RESET_N must be active until the oscillator outputs a stable clock (typically 2 milliseconds, refer to the data sheet for details). During active reset the output clock of the main oscillator is stopped by the 'Power-up clock gating' block. This prevents any bad clocks from the oscillator during startup to propagate through the device. When RESET_N goes inactive (high), the main oscillator output will be enabled. In addition the Reset_int signal will be held low for another 16 clock cycles before going high. The Reset_int signal is used for internal reset of the device. When RESET_N becomes active, Reset_int will become active immediately.

The CPU begins execution using OSC_CLK. If the 13' MHz clock will be used, software must wait for it to be stable before it can be used as the SYSCLK clock source. In order for switching from OSC_CLK to the 13' MHz clock to function correctly, OSC_CLK must be running at 13 MHz. This is a limitation of the clock switching circuitry.

Note that the main oscillator may use an external clock signal connected to SYSX_IN via a 100 pF series capacitor instead of a crystal. The amplitude of the external clock must be at least 200 mV rms.

The main oscillator has software controllable tuning capacitors. By default, there are 6.4 pF load capacitors added to the SYSX_IN and SYSX_OUT pins. The external load capacitors should be configured to have a value which makes the sum of both capacitors have the nominal value for the crystal. Software can then tune the range down by 6.4 pF, or up by 6.3 pF.

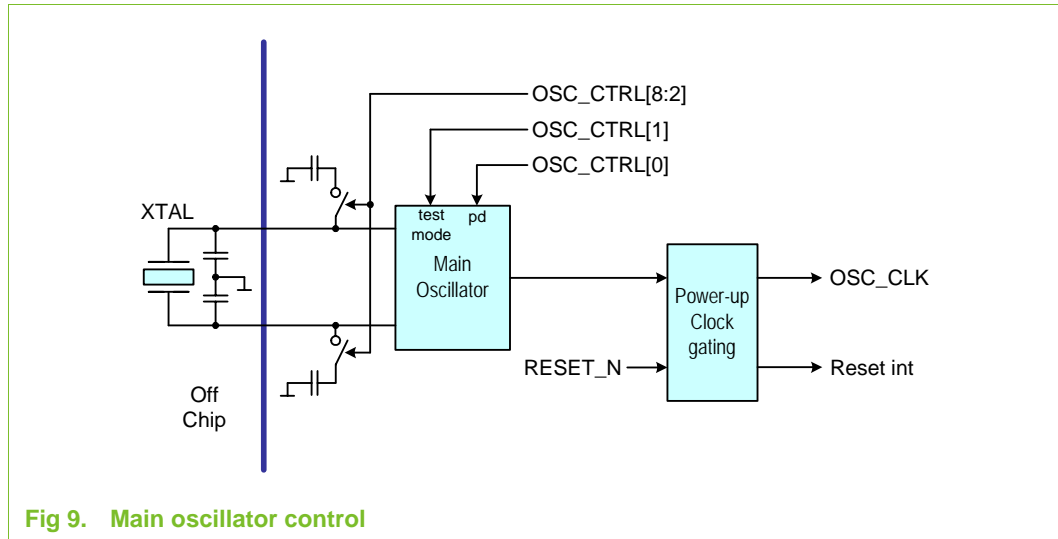


Fig 9. Main oscillator control

6. PLLs

The LPC3180 includes three PLLs: one allows boosting the RTC frequency to 13.008896 MHz for use as SYSCLK; one provides the 48 MHz clock required by the USB block; and one provides the basis for HCLK, ARM_CLK, and PERIPH_CLK. All three PLLs and how they are connected are shown in [Figure 4–6](#).

The first PLL is a fixed 397x frequency multiplier and is controlled by the register PLL397_CTRL, described in [Section 4–10 “Register description”](#).

The other two PLLs, referred to as the HCLK PLL and the USB PLL, are identical in operation. Both are described in the following sections.

6.1 PLL397

PLL397 multiplies the 32768 Hz RTC clock up to a 13.008896 MHz clock. The PLL is designed for low power operation and low jitter. PLL397 requires an external low pass loop filter for proper operation. This is shown in [Figure 4–10](#) and detailed below.

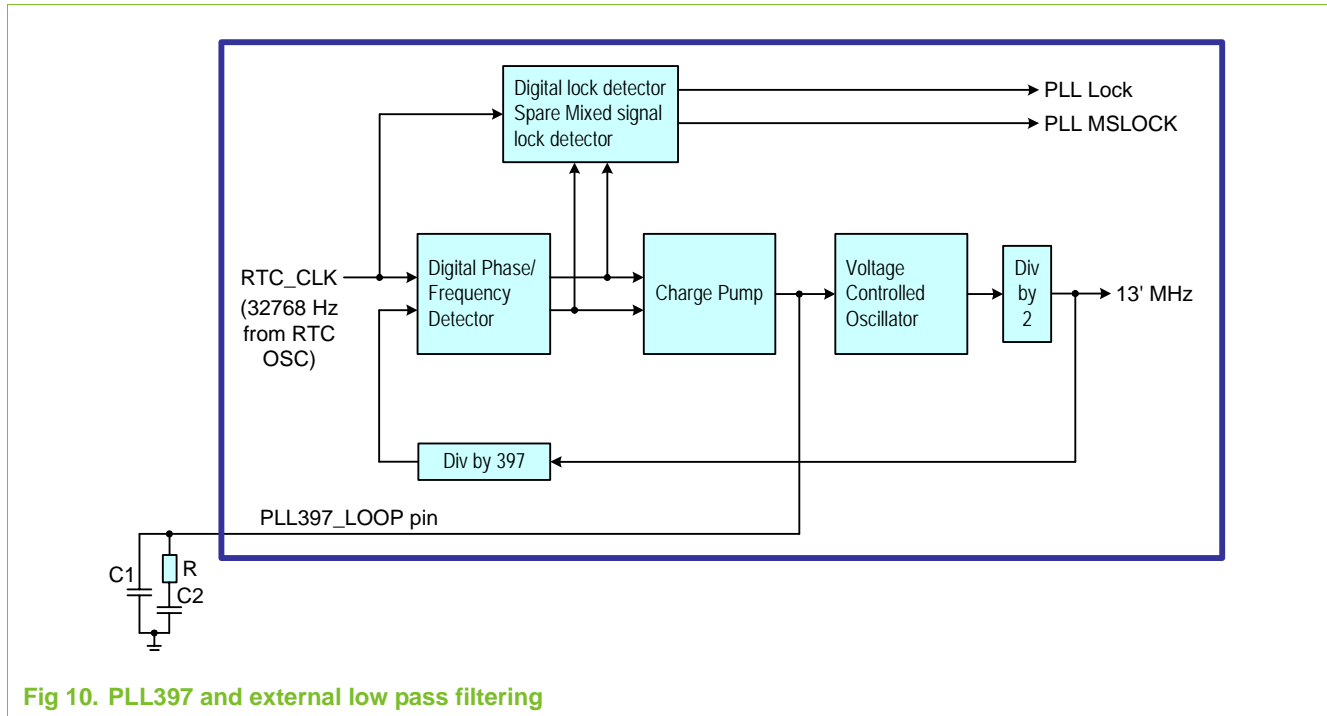


Fig 10. PLL397 and external low pass filtering

Use the following external components for the loop filter.

Table 6. External PLL397 component values

Component	Value - Type - package	Tolerance
R	120 k Ω - 0603	1 %
C1	150 pF - C0G - 0603	5 %
C2	3900 pF - C0G - 0805	5 %

The signals are noise sensitive, so the PCB tracks must be short. Note that package type indicated is the largest one to use. Smaller is better.

6.2 HLCK and USB PLL operation

The HCLK and USB PLLs accept an input clock frequency in the range of 1 MHz to 20 MHz. The input frequency is multiplied up to a higher frequency, then divided down to provide the output clock.

The PLL input may initially be divided down by a pre-divider value 'N', which may have the values 1, 2, 3, or 4. This pre-divider can allow a greater number of possibilities for the output frequency. Refer to [Figure 4-11](#) for a block diagram of the PLL.

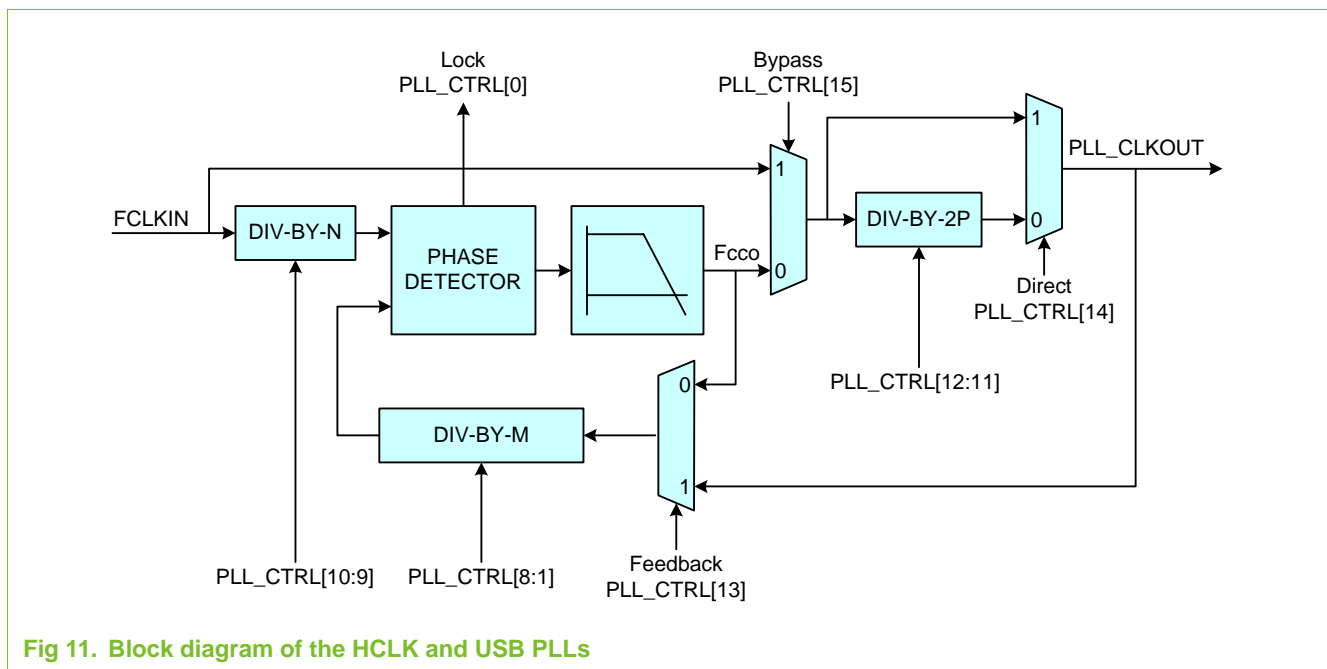
Following the PLL input divider is the PLL multiplier. This can multiply the pre-divider output by a value 'M', in the range of 1 through 256. The resulting frequency must be in the range of 156 MHz to 320 MHz. The multiplier works by dividing the output of a Current Controlled Oscillator (CCO) by the value of M, then using a phase detector to compare the divided CCO output to the pre-divider output. The error value is used to adjust the CCO frequency.

At the PLL output, there is a post-divider that can be used to bring the CCO frequency down to the desired PLL output frequency. The post-divider value 'P' can divide the CCO output by 1, 2, 4, 8, or 16. The post-divider can also be bypassed, allowing the PLL CCO output to be used directly.

An alternative connection allows feeding the PLL output back to the multiplier, rather than using the CCO output directly, although this tends to reduce the PLL output frequency options.

Each PLL is configured by a control register: HCLKPLL_CTRL for the HCLK PLL, and USB_CTRL for the USB PLL. The PLL multiplier, pre-divider, and post-divider values are contained in these registers, as well as other PLL controls and the PLL Lock status.

The PLLs are turned off following a chip Reset and must be enabled by software if they are to be used. Software must fully configure the PLL, wait for the PLL to Lock, then cause the PLL to be connected as a clock source.



6.3 PLL control bit descriptions

The PLLs are controlled by bits in the HCLKPLL_CTRL and USB_CTRL registers. The USB_CTRL register also contains additional bits to control other USB functions. Refer to [Table 4-7](#).

Warning: Improper setting of PLL values may result in incorrect operation of any chip function that is dependent on it.

Table 7. PLL control bits

Bit(s)	Description	Access	Reset value
16	PLL Power down. This bit is used to start and stop the PLL. The PLL output must not be used until the PLL is in a Locked state, as indicated by the PLL LOCK bit. 0 = The PLL is in power down mode. 1 = The PLL is in operating mode.	R/W	0
15	Bypass control. Determines whether the PLL multiplier is used. 0 = The CCO output clock is sent to post divider (normal PLL operation). 1 = The PLL input clock bypasses the CCO and is sent directly to the post divider.	R/W	0
14	Direct output control. Determines whether the PLL post-divider is used. 0 = The output of the post-divider is used as output of the PLL. 1 = The output of the PLL is the undivided CCO output, bypassing the post divider.	R/W	0
13	Feedback divider path control. Determines whether the CCO output is fed directly to the PLL feedback divider or whether it goes through the post-divider first. 0 = The feedback divider is clocked by the CCO output. 1 = The feedback divider is clocked by PLL_CLKOUT (the post-divider output).	R/W	0
12:11	PLL post-divider (P) setting. Supplies the value 'P' in the PLL frequency calculations. This divider divides down the CCO output. This field is encoded as follows: 00 = divide by 2 (P=1) 01 = divide by 4 (P=2) 10 = divide by 8 (P=4) 11 = divide by 16 (P=8)	R/W	00
10:9	PLL pre-divider (N) setting. Supplies the value 'N' in the PLL frequency calculations. The pre-divider reduces the input frequency before it goes to the CCO phase detector. The value stored here is N - 1, giving a range for N of 1 through 4: 00 = 1 01 = 2 10 = 3 11 = 4	R/W	00
8:1	PLL feedback divider (M) setting. Supplies the value 'M' in the PLL frequency calculations. The feedback divider divides the output frequency before it is fed back to the CCO phase comparator. The value stored here is M - 1, giving a range for M of 1 through 256: 00000000 = 1 00000001 = 2 11111110 = 255 11111111 = 256	R/W	0x00
0	PLL LOCK status. This bit indicates the status of the PLL. 0 = the PLL is not locked. The PLL output clock must not be used. 1 = the PLL is locked. The PLL output clock is stable and ready to be used.	RO	0

6.4 PLL modes and frequency calculation

The PLLs have six basic modes of operation, with different properties and frequency calculations.

The PLL equations in the following mode descriptions use the following parameters:

- FCLKIN, the frequency of the PLL input clock.
- FREF, the frequency of the PLL reference clock, which is the output of the pre-divider.
- FCCO, the frequency of PLL Current Controlled Oscillator.
- FCLKOUT, the output frequency of the PLL.
- N PLL, pre-divider setting based on the bits in the relevant control register. N can have the values 1, 2, 3, or 4.
- M PLL, feedback divider setting based on bits in the relevant control register. M is an integer from 1 through 256.
- P PLL, post-divider setting based on the bits in the relevant control register. P can have the values 1, 2, 4, or 8.

Note: refer to the control register bit field description for information on how to store the values of N, M, and P in the register.

6.4.1 Power-down mode

When the PLL power down bit (bit 16 of the PLL_CTRL register) is 0, the analog portion of the PLL is turned off and the output divider is reset. In this mode, the PLL draws very little power. The PLL can pass the input clock to the output if the other control bits are set to enter Direct Bypass mode.

6.4.2 Direct mode

In Direct mode, the PLL output divider is not used, causing FCLKOUT to be equal to FCCO. Direct Mode is entered when PLL_CTRL[15] = 0 and PLL_CTRL[14] = 1. The related PLL equation is:

$$\begin{aligned} FCLKOUT &= FCCO = (M \times FCLKIN)/N \\ FREF &= FCLKIN/N \end{aligned} \quad (1)$$

6.4.3 Bypass mode

In Bypass mode, the analog portion of the PLL is placed in power down mode and the input clock is routed through the post-divider. Bypass Mode is entered when PLL_CTRL[15] = 1 and PLL_CTRL[14] = 0. The related PLL equation is:

$$FCLKOUT = FCLKIN/(2 \times P) \quad (2)$$

6.4.4 Direct Bypass mode

The Direct Bypass mode is a combination of the preceding two mode. The analog portion of the PLL is placed in power down mode, and the input clock is routed to the PLL output. Direct Bypass Mode is entered when PLL_CTRL[15] and PLL_CTRL[14] both = 1. The related PLL equation is:

$$FCLKOUT = FCLKIN \quad (3)$$

6.4.5 Integer mode

In Integer mode, the PLL CCO output is routed to the post divider, and the PLL feedback loop is driven by FCLKOUT. Integer Mode is entered when PLL_CTRL[15] = 0, PLL_CTRL[14] = 0, and PLL_CTRL[13] = 1. The related PLL equations are:

$$\begin{aligned}
 FCLKOUT &= M \times (FCLKIN/N) \\
 FCCO &= (FCLKIN/N) \times (M \times 2P) \\
 FREF &= FCLKIN/N
 \end{aligned}
 \tag{4}$$

6.4.6 Non-integer mode

In Non-Integer mode, the PLL CCO output is routed to the post divider, and the PLL feedback loop is driven by the CCO output. Non-Integer Mode is entered when PLL_CTRL[15], PLL_CTRL[14], and PLL_CTRL[13] all = 0. The related PLL equations are:

$$\begin{aligned}
 FCLKOUT &= (M/(2 \times P)) \times (FCLKIN/N) \\
 FCCO &= M \times (FCLKIN/N) \\
 FREF &= FCLKIN/N
 \end{aligned}
 \tag{5}$$

In modes where the PLL is active (Integer Mode and Non-Integer Mode), the PLL inputs and settings must meet the following conditions:

- FCLKIN must be in the range of 1 MHz to 20 MHz. Bear in mind that OSC_CLK is divided by 13 in order to produce FCLKIN to the USB PLL.
- FCCO must be in the range of 156 MHz to 320 MHz.
- FREF must be in the range of 1 MHz to 27 MHz.

Note: selecting a low FCCO frequency will result in lower power consumption.

6.4.7 Notes about the USB PLL

There are constraints to the main oscillator selection if the application requires use of the USB interface. USB requires that the F_{CCO} of the USB PLL be 192 MHz. This is because it is the only legitimate value for F_{CCO} that allows the post-divider to produce a 48 MHz output. This also fixes the post-divider at divide by 4 ($P=2$). The value of the crystal used for the main oscillator then must be selected such that it can support the 192 MHz CCO frequency. Note that there is a fixed divide by 13 between OSC_CLK and the USB PLL input. A 13 MHz crystal, or standard 16 MHz crystal are recommended for this purpose.

For a system using the USB interface, the PLL and divider equations can be reduced to:

$$OSC_CLK = 2496 / M, \text{ where } M = 104 \text{ to } 192$$

OSC_CLK values that can produce a 48 MHz USB clock with no intrinsic rate error are: 13, 15.6, 16, 16.64, 19.2, 19.5, and 19.968 MHz.

6.4.8 Example settings for the HCLK PLL

Examples in the table have the following settings in common:

- PLL Power Down: HCLKPLL_CTRL[16] = 1
- Bypass control: HCLKPLL_CTRL[15] = 0
- Direct output control: HCLKPLL_CTRL[14] = 1
- Feedback divider path control: HCLKPLL_CTRL[13] = don't care (due to HCLKPLL_CTRL[14])

- Pre-divider setting: HCLKPLL_CTRL[10:9] = 00
- Post-divider setting: HCLKPLL_CTRL[12:11] = don't care (due to HCLKPLL_CTRL[14])

Table 8. HCLK PLL examples

Output clock (MHz)	Source Frequency	Feedback divider (M)	CCO frequency (MHz)
208.14	13.008896 MHz (13' MHz from RTC and PLL397)	16	208.14
208	13.0000 MHz (from a crystal on the main oscillator)	16	208
200	20.0000 MHz (from a crystal on the main oscillator)	10	200
103.2192	14.7456 MHz (from a crystal on the main oscillator)	7	103.2192

7. Clock dividers

Limited clock dividers are provided for PERIPH_CLK, HCLK, and DDRAM_CLK in the clock generation circuitry. Many individual peripheral blocks have their own clock dividers that are used as rate generators, etc. These are described in the chapter for the relevant peripheral.

The divider associated with PERIPH_CLK is provided primarily to allow the PERIPH_CLK rate to remain constant when the device is switched from RUN mode to Direct RUN mode. The PERIPH_CLK divider allows dividing the HCLK PLL output by a value from 1 to 32. This allows for matching PERIPH_CLK to the SYSCLK rate for the maximum HCLK PLL output frequency (208 MHz) with a SYSCLK frequency as low as 6.5 MHz. The PERIPH_CLK divider is controlled by bits 6 through 2 of the HCLKDIV_CTRL register.

The HCLK divider allows selection of the ratio of HCLK to ARM_CLK. HCLK can be the same rate as ARM_CLK, or it can be divided by 2 or 4. The maximum rate for HCLK is 104 MHz. The HCLK divider is controlled by bits 1 through 0 of the HCLKDIV_CTRL register.

If DDR SDRAM is used, DDRAM_CLK must be twice the HCLK rate. Typically, HCLK will run at half the ARM_CLK rate, and DDRAM_CLK will be the same as ARM_CLK. If the HCLK rate is set to one fourth of ARM_CLK, then DDRAM_CLK should be half of ARM_CLK. DDRAM_CLK should be stopped (the default at reset) if DDR SDRAM is not used. The DDRAM_CLK divider is controlled by bits 8 through 7 of the HCLKDIV_CTRL register.

8. SYSCLK switching

If the Main Oscillator frequency is 13 MHz, it is possible to switch SYSCLK to the 13' MHz clock output by PLL397. If the Main Oscillator frequency is not 13 MHz, switching to 13' MHz should not be attempted.

[Figure 4–12](#) shows the basics of the SYSCLK clock switching circuitry. Details such as synchronizer flip-flops, reset, clock gating and software triggering are not shown.

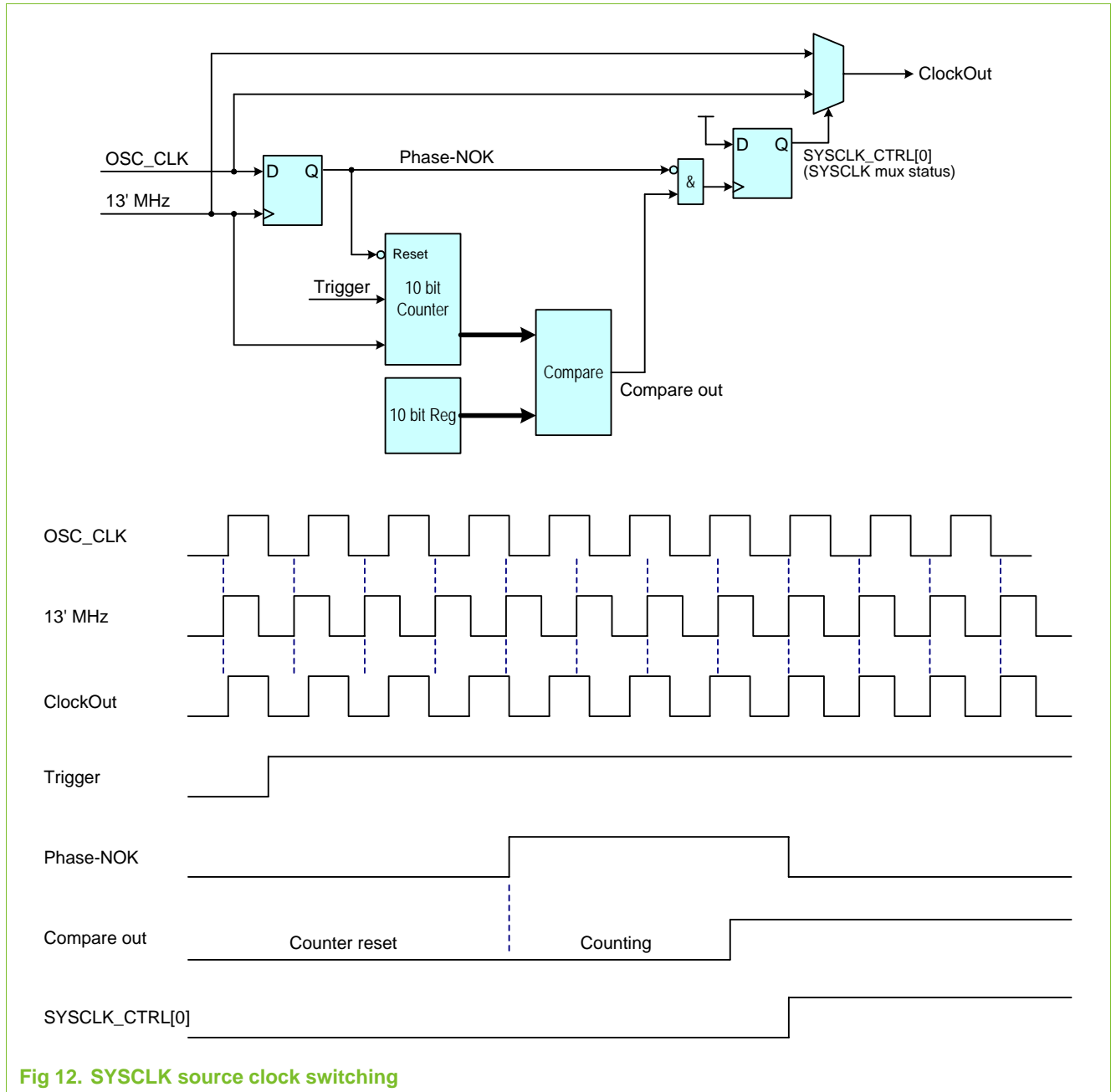


Fig 12. SYSCLK source clock switching

If the system is running from the RTC generated 13' MHz clock (13.008896 MHz), the main oscillator must be enabled, and the SYSCLK source switched to it when the USB block is to be used.

The clock switcher circuit allows switching SYSCLK from the 13' MHz to the main oscillator clock (if it is running at 13 MHz) without stopping the PLLs. Clocks are switched at a time when the 13 MHz clock has just slipped behind the 13' MHz clock in phase. This ensures that the output clock after the clock switching MUX will have a slightly longer high period. The PLL output will go slightly down in frequency for a short period, but the effect

will be limited by the fact that the high clock period during switchover is nearly as short as the normal 13' MHz period. The phase synchronization is controlled by the value in the SYSCLK_CTRL register bits 11 to 2.

If the main oscillator has been started in order to switch to it, the CPU must wait a fixed time in order to be sure that the main oscillator clock is stable. The CPU can then write to bit 1 in the SYSCLK_CTRL register to trigger the circuitry shown in [Figure 4–12](#). When the main oscillator and 13' MHz clocks have slipped to the wanted position, the switching will occur without any further CPU intervention. The CPU can read the status in the SYSCLK_CTRL[0] bit to determine which clock is being used at any given time.

8.1 Clock switching details

The sampling of the 13 MHz clock on 13' MHz edges will check if the 13 MHz clock is low on a rising 13' MHz clock edge. This means that the 13 MHz is in the correct phase. The switching point should be shortly after the 13 MHz clock has slipped behind the 13' MHz clock. First the 10 bit counter with compare will count a number of samples with the wrong phase before outputting a high to the AND gate. On the first sample with correct phase after this, the clock will be switched.

9. Clock usage in peripheral blocks

Peripheral blocks use one or more of the clocks produced by the clock generation block. Many peripherals use one clock for the bus interface to the CPU, and another clock for the peripheral function itself. In the case of the USB block, the USB function is operated from the special 48 MHz clock generated by the USB PLL, while the bus interface to the CPU operates from HCLK. The USB clock uses a third clock (PERIPH_CLK) to operate an I²C-bus interface whose purpose is to communicate with an external USB transceiver.

[Table 4–9](#) shows clocking for LPC3180 peripheral functions.

Table 9. Clocks used by various peripheral blocks

Peripheral	Peripheral Type	Bus Clock Source	Function Clock Source
System control functions	FAB	HCLK	HCLK
External Memory Controller	AHB	HCLK	PERIPH_CLK, DDRAM_CLK
SLC NAND Flash interface	AHB	HCLK	HCLK
MLC NAND Flash controller	AHB	HCLK	HCLK
Interrupt controllers	FAB	HCLK	PERIPH_CLK
GPIO	FAB	HCLK	PERIPH_CLK
USB interface	AHB	HCLK	clk48mhz, except I ² C clocked by PERIPH_CLK
Standard UARTs	APB	HCLK	PERIPH_CLK or HCLK (selectable)
High speed UARTs	FAB	HCLK	PERIPH_CLK
SPI1 and SPI2	APB	HCLK	HCLK
SD card interface	APB	HCLK	HCLK
I ² C1 and I ² C2	APB	HCLK	HCLK
Keyboard Scan	FAB	HCLK	PERIPH_CLK; key scan clocked by 32 kHz RTC_CLK
High speed timer	FAB	HCLK	PERIPH_CLK
Millisecond timer	FAB	HCLK	32 kHz RTC_CLK

Table 9. Clocks used by various peripheral blocks ...continued

Peripheral	Peripheral Type	Bus Clock Source	Function Clock Source
PWM1 and PWM2	FAB	HCLK	PERIPH_CLK; PWM clocked by 32 kHz RTC_CLK or PERIPH_CLK (selectable)
RTC	FAB	HCLK	32 kHz RTC_CLK
Watchdog timer	FAB	HCLK	PERIPH_CLK
ADC	FAB	HCLK	32 kHz RTC_CLK
DMA controller	AHB	HCLK	HCLK
Debug	FAB	HCLK	ARM_CLK, JTAG_TCK
ETB	AHB	HCLK	ARM_CLK

10. Register description

[Table 4–10](#) shows the LPC3180 clocking and power control registers.

Table 10. Clocking and power control registers

Address	Name	Description	Reset State	Access
0x4000 4044	PWR_CTRL	AHB/ARM power control register	0x0000 0012	R/W
0x4000 404C	OSC_CTRL	Main oscillator control register	0x0000 0100	R/W
0x4000 4050	SYSCLK_CTRL	SYSCLK control register	0x0000 0B48	R/W
0x4000 4048	PLL397_CTRL	PLL397 PLL control register	0	R/W
0x4000 4058	HCLKPLL_CTRL	ARM and HCLK PLL control register	0	R/W
0x4000 4040	HCLKDIV_CTRL	HCLK divider settings	0	R/W
0x4000 40A4	TEST_CLK	Clock testing control	0	R/W
0x4000 40EC	AUTOCLK_CTRL	Auto clock control register	0	R/W
0x4000 4020	START_ER_INT	Start Enable register - internal sources	0	R/W
0x4000 4030	START_ER_PIN	Start Enable register - pin sources	0	R/W
0x4000 4024	START_RSR_INT	Start Raw status register, internal sources	0	R/W
0x4000 4034	START_RSR_PIN	Start Raw status register, pin sources	0	R/W
0x4000 4028	START_SR_INT	Start status register, internal sources	0	R/-
0x4000 4038	START_SR_PIN	Start status register, pin sources	0	R/-
0x4000 402C	START_APR_INT	Start activation Polarity register, internal sources	0	R/W
0x4000 403C	START_APR_PIN	Start activation Polarity register, pin sources	0	R/W
0x4000 40E8	DMACK_CTRL	DMA clock control register	0x0000 0001	R/W
0x4000 40E4	UARTCLK_CTRL	General UART clock control register	0x0000 000F	R/W
0x4000 4064	USB_CTRL	USB PLL and pad control register	0x0008 0000	R/W
0x4000 4080	MS_CTRL	SD Card interface clock and pad control	0	R/W
0x4000 40AC	I2CCLK_CTRL	I ² C clock control register	0	R/W
0x4000 40B0	KEYCLK_CTRL	Keypad clock control	0	R/W
0x4000 40B4	ADCLK_CTRL	ADC clock control	0	R/W

Table 10. Clocking and power control registers ...continued

Address	Name	Description	Reset State	Access
0x4000 40B8	PWMCLK_CTRL	PWM clock control	0	R/W
0x4000 40BC	TIMCLK_CTRL	Timer clock control	0	R/W
0x4000 40C4	SPI_CTRL	SPI1 and SPI2 clock and pin control	0	R/W
0x4000 40C8	FLASHCLK_CTRL	Flash clock control	0x0000 0003	R/W

10.1 Power Control register (PWR_CTRL - 0x4000 4044)

The PWR_CTRL register contains controls for general power related functions.

Table 11. Power Control register (PWR_CTRL - 0x4000 4044)

Bit	Function	Reset value
10	Force HCLK and ARMCLK to run from PERIPH_CLK in order to save power. 0 = Normal mode. 1 = ARM and AHB Matrix (HCLK) runs with PERIPH_CLK frequency.	0
9	MPMCSREFREQ value. MPMCSREFREQ is used by the SDRAM interface, refer to the External Memory Controller chapter for details. This value is not reflected on MPMCSREFREQ before either PWR_CTRL[8] is changed from 0 to 1 or the Start Controller brings the system out of STOP mode. 0 = No SDRAM self refresh. 1 = SDRAM self refresh request.	0
8	Update MPMCSREFREQ (SDRAM self refresh request). 0 = No action. 1 = Update MPMCSREFREQ according to PWR_CTRL[9]. Software must clear this bit again.	0
7	SDRAM auto exit self refresh enable. If enabled, the SDRAM will automatically exit self refresh mode when the CPU exits STOP mode. Note: software must always clear this bit after exiting from STOP mode. 0 = Disable auto exit self refresh. 1 = Enable auto exit self refresh.	0
6	USB_HCLK control. Writing this bit to 1 will stop HCLK to the USB block. The clock can only be stopped when the USB block is idle and no accesses are done to the slave port. 0 = HCLK to the USB block is enabled. 1 = HCLK to the USB block is disabled. Lower power mode.	0
5	HIGHCORE pin level. Allows the HIGHCORE pin to be used as a GPO if bit 1 in this register is written with a 1. 0 = HIGHCORE will drive low. 1 = HIGHCORE will drive high.	0
4	SYSCLKEN pin level. Can be used if using SYSCLK_EN pin as GPO. Bit 3 in this register should be set to 1 when using the pin as GPO. 0 = SYSCLKEN will drive low. 1 = SYSCLKEN will drive high.	1
3	SYSCLKEN pin drives high when an external input clock on SYSXIN is requested. The pin is in high impedance mode when no external clock is needed. 0 = SYSCLKEN will drive high when not in STOP mode and 3-state in STOP mode. 1 = SYSCLKEN will always drive the level specified by bit 4.	0

Table 11. Power Control register (PWR_CTRL - 0x4000 4044) ...continued

Bit	Function	Reset value
2	<p>RUN mode control. In Direct RUN mode the ARM, HCLK is clocked directly from the SYSCLK mux. This is the default setting. After the PLL outputs a stable clock, writing a 1 to this register will switch all the above clock sources to the PLL clock or divided versions of the PLL clock.</p> <p>Note: the HCLK PLL clock frequency must be higher than SYSCLK frequency.</p> <p>0 = Direct RUN mode. 1 = Normal RUN mode. ARM, HCLK is sourced from the PLL output.</p>	0
1	<p>Core voltage supply level signalling control. The output pin HIGHCORE is defined to indicate nominal Core voltage when low and a lowered core voltage when driving high.</p> <p>0 = HIGHCORE pin will drive high during STOP mode and drive low in all other modes. 1 = HIGHCORE pin is always driving the level as specified in bit 5.</p>	1
0	<p>STOP mode control register. In STOP mode the two clock sources to the AHB/ARM clock mux is stopped. This means that the ARM, the ARM-PLL, and HCLK clocks are stopped. The USB clock is not stopped automatically by the STOP mode hardware. The USB clock may be left running or stopped by software while the system is in STOP mode.</p> <p>Read:</p> <p>0 = The Device is not in STOP mode. 1 = An active start event has occurred after this bit has been written to a 1, but before STOP mode has actually been entered by the hardware. Software must restore this bit to 0 immediately after exiting STOP mode.</p> <p>Write:</p> <p>0 = Restore value to 0 if STOP was never entered. 1 = Instruct hardware to enter STOP mode.</p>	0

10.2 Main Oscillator Control register (OSC_CTRL - 0x4000 404C)

The OSC_CTRL register controls the operation of the main crystal oscillator.

Table 12. Main Oscillator Control register (OSC_CTRL - 0x4000 404C)

Bit	Function	Reset value
8:2	<p>0000000 = Don't add any load capacitance to SYSX_IN and SYSX_OUT. xxxxxxx = Add (xxxxxxx binary \times 0.1) pF load capacitance to SYSX_IN and SYSX_OUT. 1000000 = Default setting of 6.4 pF added.</p> <p>In total 12.7 pF (nominal value) can be added to the external load capacitors. Capacitor value on the two pins is always programmed equal. Any difference must be on the external capacitors.</p>	1000000
1	<p>Main oscillator test mode. In test mode the oscillator will not oscillate but pass the external clock supplied at osc_in as the output clock. In typical applications, this bit should be left at the default value.</p> <p>0 = Normal mode. Either oscillation mode or power down mode. 1 = Test mode.</p>	0
0	<p>Main oscillator enable.</p> <p>0 = Main oscillator is enabled. 1 = Main oscillator is disabled and in power down mode.</p>	0

10.3 SYSCLK Control register (SYSCLK_CTRL - 0x4000 4050)

The SYSCLK_CTRL register controls switching SYSCLK between the main oscillator and PLL397.

Table 13. SYSCLK Control Register (SYSCLK_CTRL - 0x4000 4050)

Bit	Function	Reset value
11:2	The number in this register is used by the clock switching circuitry to decide how long a bad phase must be present before the clock switching is triggered. This register must always be written with a value before the clock switch is used in phase detect mode. The recommended value is 0x50, max value is 0xA9. (Higher values may result in no switching at all)	0x2D2
1	A write access to this bit triggers switching between the 13' MHz clock source and the Main oscillator. Write: 0 = Switch to Main oscillator. 1 = Switch to 13' MHz clock source (PLL397 output). Read: Returns the last written value.	0
0	SYSCLK MUX status Read only: 0 = Main oscillator selected as the clock source. (Default after external reset, not reset by watchdog reset) 1 = 13' MHz PLL397 output selected as the clock source.	0

10.4 PLL397 Control register (PLL397_CTRL - 0x4000 4048)

The PLL397_CTRL register controls the 397x PLL that runs from the RTC clock. The output of this PLL can be selected as the source for SYSCLK.

Table 14. PLL397 Control register (PLL397_CTRL - 0x4000 4048)

Bit	Function	Reset value
10	PLL MSLOCK status (Read only) This is a backup lock signal only to be used if the main lock signal in bit 0 is not functional. This lock signal comes from a mixed signal lock detect circuit. 0 = PLL is not locked. 1 = PLL is locked. This means that the PLL output clock is stable.	0
9	PLL397 bypass control. For test only. 0 = No bypass. 1 = Bypass. PLL is bypassed and output clock is the input clock.	0
8:6	PLL397 charge pump bias control. Note that -12.5 % of resistance means +12.5 % of the current. 000 = Normal bias setting. 001 = -12.5 % of resistance. 010 = -25 % of resistance. 011 = -37.5 % of resistance. 100 = +12.5 % of resistance. 101 = +25 % of resistance. 110 = +37.5 % of resistance. 111 = +50 % of resistance.	0

Table 14. PLL397 Control register (PLL397_CTRL - 0x4000 4048) ...continued

Bit	Function	Reset value
5:2	Reserved, user software should not write ones to reserved bits. The value read from a reserved bit is not defined.	0
1	PLL397 operational control. Generally, most of the LPC3180, including the PLLs, will run from the main oscillator. In this case the PLL397 should be stopped to save power. However, it is possible to use the 13' MHz clock from PLL397 instead. Upon reset, PLL397 is started by default, but it is the main oscillator clock that is used by the system. Note that after power-up or being turned on by software, PLL397 needs time to stabilize and the PLL lock status must go active before the output clock is used. Software can switch over to the PLL397 clock when it is locked. 0 = PLL397 is running. 1 = PLL397 is stopped and is in low power mode.	0
0	PLL LOCK status (Read only) 0 = PLL is not locked. 1 = PLL is locked. This means that the PLL output clock is stable.	0

10.5 HCLK PLL Control register (HCLKPLL_CTRL - 0x4000 4058)

The HCLKPLL_CTRL register controls the settings of HCLK PLL (see [Figure 4–6](#)) that supplies the base clock that is normally used for the ARM CPU clock, the AHB HCLK, and the DDR SDRAM clock. It can also be used as the basis for PERIPH_CLK. The input clock to the PLL is SYCLK. The output can be in the range of 26 MHz to 208 MHz.

Table 15. HCLK PLL Control register (HCLKPLL_CTRL - 0x4000 4058)

Bit	Function	Reset value
16	PLL Power down. This bit is used to start/stop the PLL. Startup time must be respected from when the PLL is started until the output clock is used. Startup time is indicated by PLL LOCK going high. 0 = PLL is in power down mode. 1 = PLL is in operating mode.	0
15	Bypass control 0 = CCO clock is sent to post divider. 1 = PLL input clock bypasses the CCO and is sent directly to the post divider.	0
14	Direct output control 0 = The output of the post-divider is used as output of the PLL 1 = CCO clock is the direct output of the PLL, bypassing the post divider	0
13	Feedback divider path control. 0 = Feedback divider clocked by CCO clock. 1 = Feedback divider clocked by PLL_CLKOUT.	0
12:11	PLL post-divider (P) setting. This divider divides down the output frequency. If 50 % duty cycle is needed, the post-divider should always be active. 00 = divide by 2 (P=1) 01 = divide by 4 (P=2) 10 = divide by 8 (P=4) 11 = divide by 16 (P=8)	0

Table 15. HCLK PLL Control register (HCLKPLL_CTRL - 0x4000 4058) ...continued

Bit	Function	Reset value
10:9	PLL pre-divider (N) setting. This divider divides down the input frequency before going to the phase comparator. 00 = 1 01 = 2 10 = 3 11 = 4	0
8:1	PLL feedback divider (M) setting. This divider divides down the output frequency before being fed back to the phase comparator. 00000000 = 1 00000001 = 2 : : 11111110 = 255 11111111 = 256	0
0	PLL LOCK status (Read only) 0 = PLL is not locked. 1 = PLL is locked. This means that the PLL output clock is stable.	0

10.6 HCLK Divider Control register (HCLKDIV_CTRL - 0x4000 4040)

The HCLKDIV_CTRL register controls the division factor for some of the clocks that may be based on the HCLK PLL output clock. These clocks are PERIPH_CLK, HCLK (and USB_HCLK which is based on HCLK), and DDRAM_CLK.

Table 16. HCLK Divider Control register (HCLKDIV_CTRL - 0x4000 4040)

Bit	Function	Reset value
8:7	<p>DDRAM_CLK control. Note that the clock architecture does not support using DDR SDRAM in Direct RUN mode. DDR SDRAM can only be accessed when in RUN mode and ARM runs twice or 4 times HCLK frequency.</p> <p>00 = DDRAM clock stopped. Use this setting if external SDR SDRAM is used.</p> <p>01 = DDRAM nominal speed. DDRAM clock is same speed as ARM. Software needs to make sure that HCLK is half of this frequency. This is the normal setting for DDRAM.</p> <p>10 = DDRAM half speed. DDRAM clock is half the frequency of ARM clock. Can be used if ARM runs 4 times HCLK frequency.</p> <p>11 = Not used.</p>	0
6:2	<p>PERIPH_CLK divider control. PERIPH_CLK is the clock going to APB/FAB slaves. This setting may be programmed once after power up and may not be changed afterwards. This setting does not affect PERIPH_CLK frequency in Direct RUN mode.</p> <p>00000 = PERIPH_CLK is ARM PLL clock in RUN mode.</p> <p>00001 = PERIPH_CLK is ARM PLL clock divided by 2 in RUN mode.</p> <p>.....</p> <p>11110 = PERIPH_CLK is ARM PLL clock divided by 31 in RUN mode.</p> <p>11111 = PERIPH_CLK is ARM PLL clock divided by 32 in RUN mode.</p>	0
1:0	<p>HCLK divider control. This setting may typically be programmed once after power up and not changed afterwards. This setting does not affect HCLK frequency in Direct RUN mode. HCLK must not be set to a frequency higher than 104 MHz.</p> <p>00 = HCLK is ARM PLL clock in RUN mode.</p> <p>01 = HCLK is ARM PLL clock divided by 2 in RUN mode.</p> <p>10 = HCLK is ARM PLL clock divided by 4 in RUN mode.</p> <p>11 = Not used.</p>	0

10.7 Test Clock Selection register (TEST_CLK - 0x4000 40A4)

For testing purposes, selected internal clocks may be output on the GPO_00 / TST_CLK1 pin or the TST_CLK2 pin. For TST_CLK1, the clocks that may be output are PERIPH_CLK, RTC_CLK, or OSC_CLK. For TST_CLK2, the clocks that may be output are HCLK, PERIPH_CLK, the USB 48 MHz clock, OSC_CLK, or the output of PLL397x.

The TEST_CLK register enables the clock output function and selects the clock that will be output on GPO_00 / TST_CLK1 or TST_CLK2 pins.

Table 17. Test Clock Selection register (TEST_CLK - 0x4000 40A4)

Bit	Function	Reset value
6:5	The selected clock is output on GPO_00 / TEST_CLK1 pin if bit 4 of this register contains a 1. 00 = PERIPH_CLK. This clock stops in STOP mode. 01 = RTC clock, un-synchronized version. Available in STOP mode also (32.768 kHz) 10 = Main oscillator clock. Available in STOP mode as long as the main oscillator is enabled. 11 = Not used.	0
4	0 = GPO_00 / TST_CLK1 output is connected to the GPIO block. 1 = GPO_00 / TST_CLK1 output is the clock selected by register bits [6:5].	0
3:1	The selected clock is output on the TST_CLK2 pin if bit 0 of this register contains a 1. 000 = HCLK. 001 = PERIPH_CLK. 010 = USB clock (48 MHz output from USB PLL). 011 = reserved. 100 = reserved. 101 = Main oscillator clock. Available in STOP mode as long as the main oscillator is enabled. 110 = reserved. 111 = PLL397 output clock (13.008896 MHz).	0
0	0 = TST_CLK2 is turned off 1 = TST_CLK2 outputs the clock selected by register bits [3:1]	0

10.8 Autoclock Control register (AUTOCLK_CTRL - 0x4000 40EC)

For power saving purposes, a number of functional blocks are able to have their clocks automatically turned off if they have been inactive for a predetermined amount of time. This feature can be disabled on a block-by-block basis by settings bits in the AUTOCLK_CTRL register.

Table 18. Autoclock Control register (AUTOCLK_CTRL - 0x4000 40EC)

Bit	Function	Reset value
7	Reserved, user software should not write ones to reserved bits. The value read from a reserved bit is not defined.	-
6	0 = Autoclock enabled on USB Slave HCLK. Stops clocking after 128 HCLK of inactivity. There is one clock additional latency to access the USB block if the clock has been stopped. 1 = Always clocked.	0
5:2	Reserved, user software should not write ones to reserved bits. The value read from a reserved bit is not defined.	-
1	0 = Autoclock enabled on IRAM. Stops clocking after 16 HCLKs of inactivity. There is one clock additional latency to access the IRAM if the clock has been stopped. 1 = Always clocked.	0
0	0 = Autoclock enabled on IROM. Stops clocking after 8 HCLKs of inactivity. There is one clock additional latency to access the IROM if the clock has been stopped. 1 = Always clocked.	0

10.9 Start Enable register for Internal Sources (START_ER_INT - 0x4000 4020)

The START_ER_INT register allows individually enabling internal interrupt sources to start up the chip from STOP mode. It is used in conjunction with the START_ER_PIN, START_RSR_INT, START_RSR_PIN, START_SR_INT, START_SR_PIN, START_APR_INT, and START_APR_PIN registers to control startup from STOP mode. Refer to the Start Controller description in this chapter for more information.

Table 19. Start Enable register for Internal Sources (START_ER_INT - 0x4000 4020)

Bit	Function	Reset value
31	AD_IRQ: ADC interrupt.	0
30:27	Reserved, user software should not write ones to reserved bits. The value read from a reserved bit is not defined.	-
26	USB_AHB_NEED_CLK	0
25	MSTIMER_INT	0
24	RTC_INT Interrupt from RTC	0
23	USB_NEED_CLK	0
22	USB_INT	0
21	USB_I2C_INT	0
20	USB_OTG_TIMER_INT	0
19	USB_OTG_ATX_INT_N	0
18:17	Reserved, user software should not write ones to reserved bits. The value read from a reserved bit is not defined.	-
16	KEY_IRQ: Keyboard scanner interrupt signal	0
15:6	Reserved, user software should not write ones to reserved bits. The value read from a reserved bit is not defined.	-
5	GPIO_05. See GPIO_00.	0
4	GPIO_04. See GPIO_00.	0
3	GPIO_03. See GPIO_00.	0
2	GPIO_02. See GPIO_00.	0
1	GPIO_01. See GPIO_00.	0
0	GPIO_00.	0

0 = Start signal is disabled.
1 = Start signal is enabled.

10.10 Start Enable register for Pin Sources (START_ER_PIN - 0x4000 4030)

The START_ER_PIN register allows individually enabling device pins to start up the chip from STOP mode.

Table 20. Start Enable register for Pin Sources (START_ER_PIN - 0x4000 4030)

Bit	Function	Reset value
31	U7_RX	0
30	U7_HCTS	0
29	Reserved, user software should not write ones to reserved bits. The value read from a reserved bit is not defined.	-
28	U6_IRRX	0

Table 20. Start Enable register for Pin Sources (START_ER_PIN - 0x4000 4030) ...continued

Bit	Function	Reset value
27	Reserved, user software should not write ones to reserved bits. The value read from a reserved bit is not defined.	-
26	U5_RX / USB_DAT_VP	0
25	GPI_11	0
24	U3_RX	0
23	U2_HCTS	0
22	U2_RX	0
21	U1_RX	0
20:19	Reserved, user software should not write ones to reserved bits. The value read from a reserved bit is not defined.	-
18	SDIO_INT_N (MS_DIO[1] pin)	0
17	MSDIO_START. Logical OR of MS_DIO[3:0]	0
16	GPI_06 / HSTIM_CAP	0
15	GPI_05	0
14	GPI_04	0
13	GPI_03	0
12	GPI_02	0
11	GPI_01 / SERVICE_N	0
10	GPI_00	0
9	SYSCLKEN pin	0
8	SPI1_DATIN	0
7	GPI_07	0
6	SPI2_DATIN	0
5	GPI_10 / U4_RX	0
4	GPI_09	0
3	GPI_08	0
2:0	Reserved, user software should not write ones to reserved bits. The value read from a reserved bit is not defined.	-

10.11 Start Raw Status Register for Internal Sources (START_RSR_INT - 0x4000 4024)

The START_RSR_INT shows the current state of possible internal startup sources, prior to masking.

Table 21. Start Raw Status Register for Internal Sources (START_RSR_INT - 0x4000 4024)

Bit	Function	Reset value
31:3	Same sources as for the START_ER_INT register. Read: 0 = Pin or signal is inactive before masking. 1 = Pin or signal is active before masking. Write: 0 = No effect. 1 = The captured state is cleared. Each source can be individually cleared.	0
2:0	Reserved, user software should not write ones to reserved bits. The value read from a reserved bit is not defined.	-

10.12 Start Raw Status Register for Pin Sources (START_RSR_PIN - 0x4000 4034)

The START_RSR_PIN shows the current state of possible device pin startup sources, prior to masking.

Table 22. Start Raw Status Register for Pin Sources (START_RSR_PIN - 0x4000 4034)

Bit	Function	Reset value
31:3	Same sources as for the START_ER_PIN register. Read: 0 = Pin or signal is inactive before masking. 1 = Pin or signal is active before masking. Write: 0 = No effect. 1 = The captured state is cleared. Each source can be individually cleared.	0
2:0	Reserved, user software should not write ones to reserved bits. The value read from a reserved bit is not defined.	-

10.13 Start Status Register for Internal Sources (START_SR_INT - 0x4000 4028)

The START_SR_INT shows the current state of possible internal startup sources, after masking by START_ER_INT.

Table 23. Start Status Register for Internal Sources (START_SR_INT - 0x4000 4028)

Bit	Function	Reset value
31:3	Same sources as for the START_ER_INT register. Unused bits in this register read as 0. This allows the ARM to use the "find first bit set" instruction. Read: 0 = Pin or signal is inactive before masking. 1 = Pin or signal is active before masking.	0
2:0	Reserved, user software should not write ones to reserved bits. The value read from a reserved bit is not defined.	-

10.14 Start Status Register for Pin Sources (START_SR_PIN - 0x4000 4038)

The START_SR_PIN shows the current state of possible device pin startup sources, after masking by START_ER_PIN.

Table 24. Start Status Register for Pin Sources (START_SR_PIN - 0x4000 4038)

Bit	Function	Reset value
31:3	Same sources as for the START_ER_PIN register. Unused bits in this register read as 0. This allows the ARM to use the "find first bit set" instruction. Read: 0 = Pin or signal is inactive before masking. 1 = Pin or signal is active before masking.	0
2:0	Reserved, user software should not write ones to reserved bits. The value read from a reserved bit is not defined.	-

10.15 Start Activation Polarity Register for Internal Sources (START_APR_INT - 0x4000 402C)

The START_APR_INT allows selecting the polarity that internal start signal sources use as a start condition.

Table 25. Start Activation Polarity Register for Internal Sources (START_APR_INT - 0x4000 402C)

Bit	Function	Reset value
31:3	Same sources as for the START_ER_INT register. 0 = Active state is captured on falling edge of start signal. 1 = Active state is captured on rising edge of start signal.	0
2:0	Reserved, user software should not write ones to reserved bits. The value read from a reserved bit is not defined.	-

10.16 Start Activation Polarity Register for Pin Sources (START_APR_PIN - 0x4000 403C)

The START_APR_PIN allows selecting the polarity that device pin start signal sources use as a start condition.

Table 26. Start Activation Polarity Register for Pin Sources (START_APR_PIN - 0x4000 403C)

Bit	Function	Reset value
31:3	Same sources as for the START_ER_INT register. 0 = Active state is captured on falling edge of start signal. 1 = Active state is captured on rising edge of start signal.	0
2:0	Reserved, user software should not write ones to reserved bits. The value read from a reserved bit is not defined.	-

10.17 DMA Clock Control register (DMACLK_CTRL - 0x4000 40E8)

The DMACLK_CTRL register allows disabling the clock to the DMA controller in order to save power if the DMA controller is not being used.

Table 27. DMA Clock Control register (DMACLK_CTRL - 0x4000 40E8)

Bit	Function	Reset value
0	0 = All clocks to DMA stopped. No accesses to DMA registers are allowed. 1 = All clocks to DMA enabled.	1

10.18 UART Clock Control register (UARTCLK_CTRL - 0x4000 40E4)

The UARTCLK_CTRL register allows turning off clocks to the standard (not high speed) UARTs in order to save power when they are not used. High speed UARTs always operate in autoclock mode. See the High Speed UART chapter for details.

Table 28. UART Clock Control register (UARTCLK_CTRL - 0x4000 40E4)

Bit	Function	Reset value
3	0 = Uart6 HCLK disabled and in low power mode. No accesses to UART registers are allowed. 1 = Uart6 HCLK enabled.	1
2	0 = Uart5 HCLK disabled and in low power mode. No accesses to UART registers are allowed. 1 = Uart5 HCLK enabled.	1
1	0 = Uart4 HCLK disabled and in low power mode. No accesses to UART registers are allowed. 1 = Uart4 HCLK enabled.	1
0	0 = Uart3 HCLK disabled and in low power mode. No accesses to UART registers are allowed. 1 = Uart3 HCLK enabled.	1

10.19 USB Control register (USB_CTRL - 0x4000 4064)

The USB_CTRL register provides control of the USB clocks, PLL, and pads.

Table 29. USB Control register (USB_CTRL - 0x4000 4064)

Bit	Function	Reset value
24	USB Slave HCLK control. 0 = Slave HCLK disabled. 1 = Slave HCLK enabled.	0
23	usb_i2c_enable. Control signal for mux. the mux drives a "0" out on USB_OE_TP_N when set. This enables "transparent I ² C mode" for communication with an external USB transceiver. 0 = ip_3506_otg_tx_en_n is fed to OE_TP_N pad. 1 = '0' is fed to OE_TP_N pad.	0
22	usb_dev_need_clk_en. During initialization the usb_dev_need_clk should not be fed to the clock switch. After initializing the external USB transceiver, this bit should be programmed to "1". Note that setting this bit to "0" also disables the software request in OTG_CLOCK_CONTROL register. 0 = usb_dev_need_clk is not let into the clock switch. 1 = usb_dev_need_clk is let into clock switch.	0
21	usb_host_need_clk_en. During initialization the usb_host_need_clk_en should not be fed to the clock switch. After initializing the external USB transceiver, this bit should be programmed to "1". Note that setting this bit to "0" also disables the software request in OTG_CLOCK_CONTROL register. 0 = usb_host_need_clk_en is not let into the clock switch. 1 = usb_host_need_clk_en is let into clock switch.	0
20:19	Pad control for USB_DAT_VP and USB_SE0_VM pads. 00 = Pull-up added to pad. 01 = Bus keeper. Retains the last driven value. 10 = No added function. 11 = Pull-down added to pad.	01

Table 29. USB Control register (USB_CTRL - 0x4000 4064) ...continued

Bit	Function	Reset value
18	USB_Clken2 clock control. This bit must be written to a 1 after the PLL indicates stable output clock. 0 = Stop clock going into USB block. 1 = Enable clock going into USB block.	0
17	USB_Clken1 clock control. This bit should be written to a 0 when USB is not active. 0 = Stop clock going into the USB PLL. 1 = Enable clock going into the USB PLL.	0
16	PLL Power down. This bit is used to start/stop the PLL. Startup time must be respected from when the PLL is started until the output clock is used. Startup time is indicated by PLL LOCK going high. 0 = PLL is in power down mode. 1 = PLL is in operating mode.	0
15	Bypass control. 0 = CCO clock is sent to post divider. 1 = PLL input clock bypasses the CCO and is sent directly to the post divider.	0
14	Direct output control. 0 = The output of the post-divider is used as output of the PLL. 1 = CCO clock is the direct output of the PLL, bypassing the post divider.	0
13	Feedback divider path control. 0 = Feedback divider clocked by CCO clock. 1 = Feedback divider clocked by post PLL_CLKOUT.	0
12:11	PLL post-divider (P) setting. This divider divides down the output frequency. If 50 % duty cycle is needed, the post-divider should always be active. 00 = divide by 2 (P=1) 01 = divide by 4 (P=2) 10 = divide by 8 (P=4) 11 = divide by 16 (P=8)	0
10:9	PLL pre-divider (N) setting. This divider divides down the input frequency before going to the phase comparator. 00 = 1 01 = 2 10 = 3 11 = 4	0
8:1	PLL feedback divider (M) setting. This divider divides down the output frequency before being fed back to the phase comparator. Note: Remember that there is a fixed divide by 13 in front of this PLL. 00000000 = 1 00000001 = 2 11111110 = 255 11111111 = 256	0
0	PLL LOCK status (Read only, write is don't care) 0 = PLL not locked. 1 = PLL locked. This means that the PLL output clock is stable.	0

10.20 Memory Card Control register (MS_CTRL - 0x4000 4080)

The MS_CTRL register selects whether the SD card interface is enabled. It also controls pad pull-up and pull-down and clocks to the related peripheral blocks.

Table 30. Memory Card Control register (MS_CTRL - 0x4000 4080)

Bit	Function	Reset value
31:10	Reserved, user software should not write ones to reserved bits. The value read from a reserved bit is not defined.	-
9	Enables pull-ups to MSSDIO pins. If the SD Card interface is not used, this bit should be programmed to 0, and bits 6 through 8 should be programmed to 1. 0 = MSSDIO pull-up disabled. 1 = MSSDIO pull-up enable.	0
8	MSSDIO2 and MSSDIO3 pad control. 0 = MSSDIO2 and 3 pad has pull-up enabled. 1 = MSSDIO2 and 3 pad has no pull-up.	0
7	MSSDIO1 pad control. 0 = MSSDIO1 pad has pull-up enabled. 1 = MSSDIO1 pad has no pull-up.	0
6	MSSDIO0/MSBS pad control. 0 = MSSDIO0 pad has pull-up enable. 1 = MSSDIO0 pad has no pull-up.	0
5	SD Card clock control. This bit controls MSSDCLK to the SD Card block. The registers in the peripheral block cannot be accessed if the clock is stopped. 0 = Clocks disabled. 1 = Clocks enabled.	0
4	Reserved, user software should not write ones to reserved bits. The value read from a reserved bit is not defined.	-
3:0	These register bits control the divider ratio when generating the clock from the ARM PLL output clock. Software must insure that the maximum clock frequency of the targeted device is not exceeded. 0000 = MSSDCLK stopped. Divider in low power mode. 0001 = MSSDCLK equals ARM PLL output clock divided by 1. 1110 = MSSDCLK equals ARM PLL output clock divided by 14. 1111 = MSSDCLK equals ARM PLL output clock divided by 15.	0

10.21 I²C Clock Control register (I2CCLK_CTRL - 0x4000 40AC)

The I2CCLK_CTRL register controls the clocks to the two I²C interfaces.

Table 31. I²C Clock Control register (I2CCLK_CTRL - 0x4000 40AC)

Bit	Function	Reset value
4	Driver strength control for USB_I2C_SCL and USB_I2C_SDA. For 1.8 V operation set this bit to 1. 0 = USB I ² C pins operate in low drive mode. 1 = USB I ² C pins operate in high drive mode.	0
3	I2C2_SCL and I2C2_SDA driver strength control. For 1.8 V operation set this bit to 1. 0 = I2C2 pins operate in low drive mode. 1 = I2C2 pins operate in high drive mode.	0
2	I2C1_SCL and I2C1_SDA driver strength control. For 1.8 V operation set this bit to 1. 0 = I2C1 pins operate in low drive mode. 1 = I2C1 pins operate in high drive mode.	0
1	Software must set this bit before using the I2C2 block. It can be cleared if the I2C2 block is not in use. 0 = I2C2 HCLK stopped. No I ² C registers are accessible. 1 = I2C2 HCLK enabled.	0
0	Software must set this bit before using the I2C1 block. It can be cleared if the I2C1 block is not in use. 0 = I2C1 HCLK stopped. No I ² C registers are accessible. 1 = I2C1 HCLK enabled.	0

10.22 Keyboard Scan Clock Control register (KEYCLK_CTRL - 0x4000 40B0)

The KEYCLK_CTRL register allows enabling or disabling the clock to the Keyboard Scan peripheral.

Table 32. Keyboard Scan Clock Control register (KEYCLK_CTRL - 0x4000 40B0)

Bit	Function	Reset value
0	0: Disable clock to Keyboard block. 1: Enable clock.	0

10.23 ADC Clock Control register (ADCLK_CTRL - 0x4000 40B4)

The ADCLK_CTRL register allows enabling or disabling the clock to the Analog to Digital Converter.

Table 33. ADC Clock Control register (ADCLK_CTRL - 0x4000 40B4)

Bit	Function	Reset value
0	0: Disable 32 kHz clock to ADC block. 1: Enable clock.	0

10.24 PWM Clock Control register (PWMCLK_CTRL - 0x4000 40B8)

The PWMCLK_CTRL register controls the clocks to the PWM blocks: enabling or disabling clocks, selecting the clock source, and setting the clock divider for each PWM.

Table 34. PWM Clock Control register (PWMCLK_CTRL - 0x4000 40B8)

Bit	Function	Reset value
11:8	PWM2_FREQ. Controls the clock divider for PWM2. 0000: PWM2_CLK = off 0001: PWM2_CLK = CLKin : : 1111: PWM2_CLK = CLKin / 15	0
7:4	PWM1_FREQ. Controls the clock divider for PWM1. The encoding is the same as for PWM2_CLK above.	0
3	PWM2 clock source selection: 0: 32 kHz RTC_CLK 1: PERIPH_CLK	0
2	0: Disable clock to PWM2 block. 1: Enable clock to PWM2 block.	0
1	PWM1 clock source selection: 0: 32 kHz RTC_CLK 1: PERIPH_CLK	0
0	0: Disable clock to PWM1 block. 1: Enable clock to PWM1 block.	0

10.25 Timer Clock Control register (TIMCLK_CTRL - 0x4000 40BC)

The TIMCLK_CTRL register allows enabling and disabling the clocks to the High Speed Timer and the Watchdog Timer.

Table 35. Timer Clock Control register (TIMCLK_CTRL - 0x4000 40BC)

Bit	Function	Reset value
1	HSTimer clock enable control. 0: Disable clock. 1: Enable clock.	0
0	Watchdog clock enable control. 0: Disable clock. 1: Enable clock.	0

10.26 SPI Block Control register (SPI_CTRL - 0x4000 40C4)

The SPI_CTRL register controls some aspects of the two SPI interfaces: enabling and disabling clocks; connecting the interface to the related pins; and controlling pin output values if the SPI interface is not used (use as a GPO).

Table 36. SPI Block Control register (SPI_CTRL - 0x4000 40C4)

Bit	Function	Reset value
7	SPI2_DATIO output level. 0: The pin drives low if bit 5 is 0. 1: The pin drives high if bit 5 is 0.	0
6	SPI2_CLK output level. 0: The pin drives low if bit 5 is 0. 1: The pin drives high if bit 5 is 0.	0
5	Output pin control. By default, the SPI2_DATIO and SPI2_CLK pins are driven to the values set in bits 7 and 6. In order to use the SPI2 block, this bit must be written to a 1. 0: SPI2_DATIO and SPI2_CLK outputs the level set by bit 6 and 7. 1: SPI2_DATIO and SPI2_CLK are driven by the SPI2 block.	0
4	SPI2 clock enable control. 0: Disable clock. 1: Enable clock.	0
3	SPI1_DATIO output level. 0: The pin drives low if bit 1 is 0. 1: The pin drives high if bit 1 is 0.	0
2	SPI1_CLK output level. 0: The pin drives low if bit 1 is 0. 1: The pin drives high if bit 1 is 0.	0
1	Output pin control. By default, the SPI1_DATIO and SPI1_CLK pins are driven to the values set in bits 3 and 2. In order to use the SPI1 block, this bit must be written to a 1. 0: SPI1_DATAIO and SPI1_CLK outputs the level set by bit 2 and 3. 1: SPI1_DATIO and SPI1_CLK are driven by the SPI1 block.	0
0	SPI1 clock enable control. 0: Disable clock. 1: Enable clock.	0

10.27 NAND Flash Clock Control register (FLASHCLK_CTRL - 0x4000 40C8)

The LPC3180 incorporates two NAND Flash controllers, one for single-level NAND Flash (the SLC Flash controller), and one for multi-level NAND Flash (the MLC Flash controller). The FLASHCLK_CTRL register controls some aspects of the two NAND Flash memory interfaces: enabling and disabling clocks; selecting one of the controllers to be used; and controlling interrupts and DMA.

Table 37. NAND Flash Clock Control register (FLASHCLK_CTRL - 0x4000 40C8)

Bit	Function	Reset value
5	Determines which NAND Flash controller interrupt is connected to the interrupt controller. 0: enable the SLC (single level) NAND Flash controller interrupt. 1: enable the MLC (multi-level) NAND Flash controller interrupt.	0
4	Enable NAND_DMA_REQ on NAND_RnB. This applies only to the MLC. 0: disable 1: enable	0
3	Enable NAND_DMA_REQ on NAND_INT. This applies only to the MLC. 0: disable 1: enable	0
2	SLC/MLC select. Selects either the single-level (SLC), or multi-level (MLC) NAND Flash controller. 0: Select MLC flash controller. 1: Select SLC flash controller.	0
1	MLC NAND Flash clock enable control. 0: Disable clocks to the block, including the AHB interface. 1: Enable clock.	1
0	SLC NAND Flash clock enable control. 0: Disable clocks to the block, including the AHB interface. 1: Enable clock.	1

1. Introduction

The SDRAM controller supports SDR SDRAM devices of 64, 128, 256, 512, or 1024 megabits in size, as well as DDR SDRAM devices of 64, 128, 256, 512, or 1024 megabits in size. The SDRAM controller uses four Data Ports to allow simultaneous requests from multiple AHB bus masters.

A single chip select is supplied, supporting one group of SDRAM devices in the same address range.

1.1 Features of the SDRAM controller

- Dynamic memory interface support including Single Data Rate and Double Data Rate SDRAM.
- Supports mobile SDRAM devices with 1.8 V I/O interface.
- Low transaction latency.
- Read and write buffers to reduce latency and to improve performance.
- 16-bit and 32-bit wide SDRAM memory support.
- Power-saving modes dynamically control clock and clock enable to SDRAMs.
- Dynamic memory self-refresh mode controlled by software.
- Controller supports 2K, 4K, and 8K row address synchronous memory parts.

1.2 SDRAM controller pins

The SDRAM controller supports an SDR SDRAM memory bus up to 32-bits wide or a 16-bit DDR SDRAM bus. Additional signals are required for DDR SDRAM, which are brought out on the same pins as RAM_D[16:18]. In DDR mode, RAM_D bits 19 through 31 may be used as additional parallel I/O pins. SDRAM controller pins are shown in both [Table 5–38](#) and [Figure 5–13](#).

Table 38. SDRAM pins in SDR and DDR operating modes

SDRAM interface pin(s)	SDR SDRAM function	DDR SDRAM function
RAM_A[00] - RAM[A14]	Address bus, bits 0 through 14	Address bus, bits 0 through 14
RAM_D[00] - RAM_D[15]	Data bus, bits 0 through 15	Data bus, bits 0 through 15
RAM_D[16] / DDR_DQS0	Data bus, bit 16	Data strobe, lower byte
RAM_D[17] / DDR_DQS1	Data bus, bit 17	Data strobe, upper byte
RAM_D[18] / DDR_nCLK	Data bus, bit 18	Inverted SDRAM clock
RAM_D[19] - RAM_D[31]	Data bus, bits 19 through 31	PIO_SD[12:0]
RAM_CLK	SDRAM clock	SDRAM clock
RAM_CLKIN	SDRAM clock feedback	SDRAM clock feedback
RAM_CKE	SDRAM clock enable	SDRAM clock enable
RAM_CS_N	SDRAM chip select	SDRAM chip select
RAM_WR_N	SDRAM write strobe	SDRAM write strobe

Table 38. SDRAM pins in SDR and DDR operating modes ...continued

SDRAM interface pin(s)	SDR SDRAM function	DDR SDRAM function
RAM_CAS_N	SDRAM column address strobe	SDRAM column address strobe
RAM_RAS_N	SDRAM row address strobe	SDRAM row address strobe
RAM_DQM[0] - RAM_DQM[3]	SDRAM byte write mask 0 through 3	SDRAM byte write mask 0 through 3

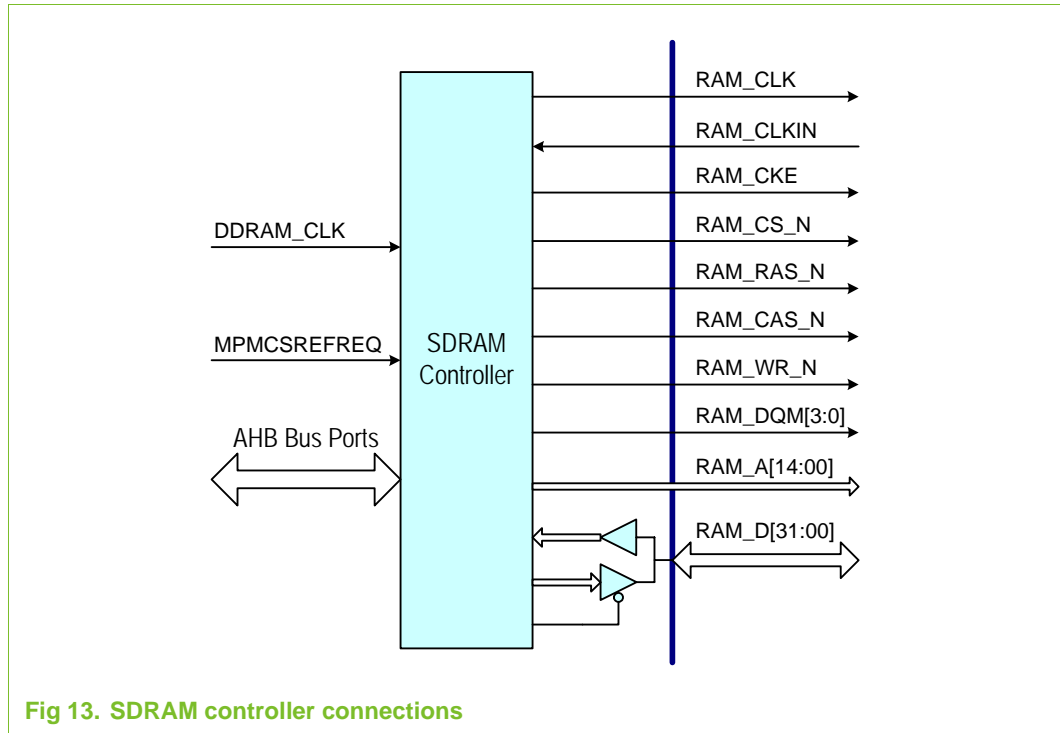


Fig 13. SDRAM controller connections

1.3 Bus hold circuits

In SDR SDRAM mode, all data bus pins (RAM_D[31:0]) are configured to have bus hold circuits. These cause the pins to retain the last logic level that was driven. In DDR SDRAM mode, the bus hold configuration remains the same except that the inverted clock output (the RAM_D[18] / DDR_nCLK pin) has the bus hold circuit turned off.

[Table 5–39](#) shows the overall configuration of bus hold circuits when the entire data bus is configured for SDRAM operation via the GPIO_SDRAM_SEL bit. The GPIO_SDRAM_SEL control bit may be read as bit 3 of PIO_MUX_STATE register, described in the GPIO chapter. The value of GPIO_SDRAM_SEL is controlled by the PIO_MUX_SET and PIO_MUX_CLR registers. The DDR_SEL control bit is bit 1 of the SDRAMCLK_CTRL register, described elsewhere in this chapter.

When the upper data bus (RAM_D[31:19]) is configured for GPIO operation, the bus hold circuits for those pins are disabled.

Table 39. Bus hold configuration for RAM_D[31:0] when GPIO_SDRAM_SEL = '0'

Bus pin(s)	Bus hold when DDR_SEL = '0'	Bus hold when DDR_SEL = '1'
RAM_D[31:19]	On	On
RAM_D[18]	On	Off
RAM_D[17:0]	On	On

1.4 Supported memory devices

The SDRAM Controller supports a wide variety of SDRAM configurations. However, the 1.8 V interface levels are primarily supported by 'Mobile' SDRAMs. This section provides examples of dynamic memory devices that are supported by the SDRAM Controller. [Table 5-40](#) and [Table 5-41](#) show SDR and DDR SDRAM devices respectively.

Table 40. Examples of compatible SDR SDRAM devices^{[1][2]}

Manufacturer	Part number	Size	Organization
Micron	MT48H4M16LF	64 Mb	4M x 16
Samsung	K4M64163PH	64 Mb	4M x 16
Micron	MT48H8M16LF	128 Mb	8M x 16
Samsung	K4M28163PF	128 Mb	8M x 16
Infineon	HYB18L128160	128 Mb	8M x 16
Infineon	HYE18L128160	128 Mb	8M x 16
Micron	MT48H8M32LF	256 Mb	8M x 32
Micron	MT48H16M16LF	256 Mb	16M x 16
Samsung	K4S56163PF	256 Mb	16M x 16
Infineon	HYB18L256160	256 Mb	16M x 16
Infineon	HYE18L256160	256 Mb	16M x 16
Hynix	HY5S5B6ELF	256 Mb	16M x 16
Micron	MT48H32M16LF	512 Mb	32M x 16
Samsung	K4S51163PF	512 Mb	32M x 16

[1] This table is not intended to be an exhaustive list of supported devices.

[2] Devices listed in this table have been selected by comparing manufacturer data sheet specifications to SDRAM memory controller features, and have not been tested in a system.

Table 41. Examples of compatible DDR SDRAM devices^{[1][2]}

Manufacturer	Part number	Size	Organization
Micron	MT46H8M16LF	128 Mb	8M x 16
Micron	MT46H16M16LF	256 Mb	16M x 16
Hynix	HY5MS5B6LF	256 Mb	16M x 16
Micron	MT46H32M16LF	512 Mb	32M x 16

[1] This table is not intended to be an exhaustive list of supported devices.

[2] Devices listed in this table have been selected by comparing manufacturer data sheet specifications to SDRAM memory controller features, and have not been tested in a system.

1.5 SDRAM self-refresh mode

The SDRAM Controller has logic to determine when it should go in and out of self-refresh mode. This is described in the PWR_CTRL register description in the Clocking and Power Control chapter. The SR bit in the MPMCDynamicControl register must always be written to '0'.

2. Register description

This section describes the SDRAM Controller registers and provides details required when programming the microcontroller. The SDRAM Controller registers are shown in [Table 5–42](#).

Table 42. SDRAM controller register summary

Address	Register name	Description	Reset value	Type
0x4000 4068	SDRAMCLK_CTRL	Controls various SDRAM configuration details.	0	R/W
0x3108 0000	MPMCControl	Controls operation of the memory controller.	0x3	R/W
0x3108 0004	MPMCStatus	Provides SDRAM Controller status information.	0x5	RO
0x3108 0008	MPMCConfig	Configures operation of the memory controller.	0	R/W
0x3108 0020	MPMCDynamicControl	Controls dynamic memory operation.	0x006	R/W
0x3108 0024	MPMCDynamicRefresh	Configures dynamic memory refresh operation.	0	R/W
0x3108 0028	MPMCDynamicReadConfig	Configures the dynamic memory read strategy.	0	R/W
0x3108 0030	MPMCDynamictRP	Selects the precharge command period.	0x0F	R/W
0x3108 0034	MPMCDynamictRAS	Selects the active to precharge command period.	0xF	R/W
0x3108 0038	MPMCDynamictSREX	Selects the self-refresh exit time.	0xF	R/W
0x3108 0044	MPMCDynamictWR	Selects the write recovery time.	0xF	R/W
0x3108 0048	MPMCDynamictRC	Selects the active to active command period.	0x1F	R/W
0x3108 004C	MPMCDynamictRFC	Selects the auto-refresh period.	0x1F	R/W
0x3108 0050	MPMCDynamictXSR	Selects the exit self-refresh to active command time	0x1F	R/W
0x3108 0054	MPMCDynamictRRD	Selects the active bank A to active bank B latency	0xF	R/W
0x3108 0058	MPMCDynamictMRD	Selects the load mode register to active command time	0xF	R/W
0x3108 005C	MPMCDynamictCDLR	Selects the last data in to read command time.	0xF	R/W
0x3108 0100	MPMCDynamicConfig0	Selects the configuration information for the SDRAM.	0	R/W
0x3108 0104	MPMCDynamicRasCas0	Selects the RAS and CAS latencies for the SDRAM.	0x303	R/W
0x3108 0400	MPMCAHBControl0	Control register for AHB port 0.	0	R/W
0x3108 0404	MPMCAHBStatus0	Status register for AHB port 0.	0	R/W
0x3108 0408	MPMCAHBTimeOut0	Timeout register for AHB port 0.	0	R/W
0x3108 0440	MPMCAHBControl2	Control register for AHB port 2.	0	R/W
0x3108 0444	MPMCAHBStatus2	Status register for AHB port 2.	0	R/W
0x3108 0448	MPMCAHBTimeOut2	Timeout register for AHB port 2.	0	R/W
0x3108 0460	MPMCAHBControl3	Control register for AHB port 3.	0	R/W
0x3108 0464	MPMCAHBStatus3	Status register for AHB port 3.	0	R/W
0x3108 0468	MPMCAHBTimeOut3	Timeout register for AHB port 3.	0	R/W
0x3108 0480	MPMCAHBControl4	Control register for AHB port 4.	0	R/W
0x3108 0484	MPMCAHBStatus4	Status register for AHB port 4.	0	R/W

Table 42. SDRAM controller register summary ...continued

Address	Register name	Description	Reset value	Type
0x3108 0488	MPMCAHBTimeOut4	Timeout register for AHB port 4.	0	R/W
0x4000 406C	DDR_LAP_NOM	Contains the nominal value for DDR DQS input delay.	0	R/W
0x4000 4070	DDR_LAP_COUNT	Value of the DDR SDRAM ring oscillator counter.	0	RO
0x4000 4074	DDR_CAL_DELAY	Current calibrated value of the DDR DQS input delay.	0	RO
0x4000 4088	RINGOSC_CTRL	Ring oscillator control and count value.	0	R/W

2.1 SDRAM Clock Control Register (SDRAMCLK_CTRL - 0x4000 4068)

The SDRAMCLK_CTRL register controls the enable, reset, and timing of the SDRAM interface.

Table 43. SDRAM Clock Control Register (SDRAMCLK_CTRL - 0x4000 4068)

Bit	Function	Reset value
22	SDRAM_PIN_SPEED3. This signal controls the slew rate of the pin SDRAM pin RAM_CLK. See bit 20 for details. 0 = Fast slew rate. 1 = Slower slew rate.	0
21	SDRAM_PIN_SPEED2. This signal controls the slew rate of the pins SDRAM pads RAM_A[14:0], RAM_CKE, RAM_CS_N, RAM_RAS_N, RAM_CAS_N, and RAM_WR_N. 0 = Fast slew rate. 1 = Slower slew rate.	0
20	SDRAM_PIN_SPEED1. This signal controls the slew rate of the pins SDRAM pads RAM_D[31:0], and RAM_DQM[3:0]. Normally fast slew rate is used. 0 = Fast slew rate. 1 = Slower slew rate.	0
19	SW_DDR_RESET. When writing from 0 to 1 a reset is applied to the SDRAM controller. Must be set back to 0. This may be used when the SDRAM controller is in DDR mode and the clocks are not properly synchronized when starting and stopping clocks. Note: DDRAM_CLK must not be running while resetting the SDRAM controller (HCLKDIV_CTRL[8:7] must be [00]) 0 = No SDRAM controller reset. 1 = Active SDRAM controller reset.	0
18:14	HCLKDELAY_DELAY. These bits control the delay of the HCLKDELAY input from the HCLK. The HCLKDELAY clock is used to send command, data and address to SDRAM. Note that all timing is for nominal process, temperature, voltage. The timing must be calibrated by software using the Ring oscillator. Delay = value programmed \times 0.25ns. Note: All bit combinations can be used. Max delay is 7.75 ns.	0
13	Delay circuitry Adder status. Reading a 1 here means that a value too close to min/max has been programmed in DDR_CAL_DELAY or the sensitivity has been programmed too high in SDRAMCLK_CTRL[12:10] 0 = No overflow or sign bit. 1 = Last calibration produced either an overflow or a negative number (underflow).	0
12:10	Sensitivity Factor for DDR SDRAM calibration. This value controls how much the error value is shifted down. More shifting means less sensitivity of the calibration. 000 = No right shift. 111 = Shift right with 7.	0

Table 43. SDRAM Clock Control Register (SDRAMCLK_CTRL - 0x4000 4068) ...continued

Bit	Function	Reset value
9	CAL_DELAY. 0 = Use un-calibrated delay settings for DDR SDRAM. 1 = Use calibrated delay settings for DDR SDRAM.	0
8	SW_DDR_CAL. When writing from 0 to 1 a DDR calibration is performed. Must be set back to 0. 0 = No manual DDR delay calibration. 1 = Perform a DDR delay calibration.	0
7	RTC_TICK_EN 0 = No automatic DDR delay calibration. 1 = Enable automatic DDR delay calibration on each RTC TICK.	0
6:2	DDR_DQSIN_DELAY. These bits control the delay of the DQS input from the DDR SDRAM device. The DQS signal is used to capture read data from SDRAM. Note that all timing is for nominal process, temperature, voltage. The timing must be calibrated by software using the Ring Oscillator. Refer to the section on DDR DQS delay calibration in the SDRAM Controller chapter for details. Delay = value programmed \times 0.25ns. Note: All bit combinations can be used. Max delay is 7.75 ns.	0
1	DDR_SEL. This affects the pin multiplexing as described elsewhere in this chapter. 0 = SDR SDRAM is used. 1 = DDR SDRAM is used. In this mode, the DQS delay circuitry is also enabled.	0
0	0 = SDRAM HCLK and Inverted HCLK enabled. 1 = All Clocks to SDRAM block disabled. Note that no masters can access the SDRAM controller in this mode.	0

2.2 SDRAM Controller Control Register (MPMCCControl - 0x3108 0000)

The MPMCCControl register is a read/write register that controls operation of the memory controller. This register must only be written while the SDRAM Controller is in the idle state. [Table 5-44](#) shows the bit assignments for the MPMCCControl register.

Table 44. SDRAM Controller Control Register (MPMCCControl - 0x3108 0000)

Bits	Name	Type	Function
31:3	Reserved	-	Reserved, read undefined, do not modify.

Table 44. SDRAM Controller Control Register (MPMCControl - 0x3108 0000) ...continued

Bits	Name	Type	Function
2	Low-power mode (L)	R/W	Indicates normal, or low-power mode: 0 = normal. 1 = low-power mode. Entering low-power mode reduces memory controller power consumption. Dynamic memory is refreshed as necessary. The memory controller returns to normal functional mode by clearing the low-power mode bit (L), or by Reset. This bit must only be modified when the SDRAM Controller is in idle state. [1]
1	Reserved	-	Reserved, read undefined, do not modify.
0	SDRAM Controller Enable (E)	R/W	Indicates if the SDRAM Controller is enabled or disabled: 0 = disabled. 1 = enabled. Disabling the SDRAM Controller reduces power consumption. When the memory controller is disabled the memory is not refreshed. The memory controller is enabled by setting the enable bit, or by reset. This bit must only be modified when the SDRAM Controller is in idle state. [1]

[1] The external memory cannot be accessed in low-power or disabled state. If a memory access is performed an AHB error response is generated. The SDRAM Controller registers can be programmed in low-power and/or disabled state.

2.3 SDRAM Controller Status Register (MPMCStatus - 0x3108 0004)

The read-only MPMCStatus register provides SDRAM Controller status information. [Table 5–45](#) shows the bit assignments for the MPMCStatus register.

Table 45. SDRAM Controller Status Register (MPMCStatus - 0x3108 0004)

Bits	Name	Type	Description
31:3	Reserved		Reserved, read undefined.
2	Self-refresh acknowledge (SA)	RO	This bit indicates the operating mode of the SDRAM Controller: 0 = normal mode 1 = self-refresh mode.
1	Reserved	-	Reserved, read undefined, do not modify.
0	Busy (B)	RO	This bit is used to ensure that the memory controller enters the low-power or disabled mode cleanly by determining if the memory controller is busy or not: 0 = SDRAM Controller is idle. 1 = SDRAM Controller is busy performing memory transactions, commands, auto-refresh cycles, or is in self-refresh mode.

2.4 SDRAM Controller Configuration Register (MPMCConfig - 0x3108 0008)

The MPMCConfig register configures the operation of the memory controller. It is recommended that this register is modified during system initialization or when there are no current or outstanding transactions. This can be ensured by waiting until the SDRAM Controller is idle, and then entering low-power or disabled mode. This register is accessed with one wait state. [Table 5–46](#) shows the bit assignments for the MPMCConfig register.

Table 46. SDRAM Controller Configuration Register (MPMCConfig - 0x3108 0008)

Bits	Name	Type	Description
31:1	Reserved	-	Reserved, read undefined, do not modify.
0	Endian mode (N)	R/W	Endian mode: 0 = little-endian mode. 1 = big-endian mode. On power-on reset, the value of the endian bit is 0. All data must be flushed in the SDRAM Controller before switching between little-endian and big-endian modes.

2.5 Dynamic Memory Control Register (MPMCDynamicControl - 0x3108 0020)

The MPMCDynamicControl register controls dynamic memory operation. The control bits can be altered during normal operation. [Table 5–47](#) shows the bit assignments for the MPMCDynamicControl register.

Table 47. Dynamic Memory Control Register (MPMCDynamicControl - 0x3108 0020)

Bits	Name	Type	Description
31:14	Reserved	-	Reserved, read undefined, do not modify.
13	Low-power SDRAM deep-sleep mode (DP)	R/W	0 = normal operation. 1 = enter deep power down mode.
12:9	Reserved	-	Reserved, read undefined, do not modify.
8:7	SDRAM initialization (I)	R/W	00 = issue SDRAM NORMAL operation command. 01 = issue SDRAM MODE command. [1] 10 = issue SDRAM PALL (precharge all) command. 11 = issue SDRAM NOP (no operation) command).
6	Reserved	-	Reserved, read undefined, do not modify.
5	Memory clock control (MMC)	R/W	0 = RAM_CLK enabled (POR reset value). 1 = RAM_CLK disabled. [2]
4	Inverted Memory Clock Control (IMCC)	R/W	0 = DDR_nCLK enabled. 1 = DDR_nCLK disabled.
3	Self-Refresh Clock Control (SRMCC)	R/W	0 = RAM_CLK and DDR_nCLK run continuously during self-refresh mode. 1 = RAM_CLK and DDR_nCLK run are stopped during self-refresh mode.

Table 47. Dynamic Memory Control Register (MPMCDynamicControl - 0x3108 0020)

Bits	Name	Type	Description
2	Self-refresh request, MPMCSREFREQ (SR)	R/W	0 = normal mode. 1 = enter self-refresh mode. Note: this bit must be written to 0 by software for correct operation.
1	Dynamic memory clock control (CS)	R/W	0 = RAM_CLK stops when all SDRAMs are idle and during self-refresh mode. 1 = RAM_CLK runs continuously. When clock control is LOW the output clock RAM_CLK is stopped when there are no SDRAM transactions. The clock is also stopped during self-refresh mode.
0	Dynamic memory clock enable (CE)	R/W	0 = clock enable of idle devices are deasserted to save power. 1 = all clock enables are driven HIGH continuously. ^[3]

- [1] For SDRAM chip selects that are configured for 32-bit wide transfers, single SDRAM bursts are used. When SDRAM chip selects are configured for 16-bit wide transfers, a burst length of 2 is used. Mode registers in related SDRAM devices must be programmed accordingly.
- [2] Disabling RAM_CLK or DDR_nCLK can be performed if there are no SDRAM memory transactions in progress. When enabled this bit can be used in conjunction with the dynamic memory clock control (CS) field.
- [3] Clock enable must be HIGH during SDRAM initialization.

2.6 Dynamic Memory Refresh Timer Register (MPMCDynamicRefresh - 0x3108 0024)

The MPMCDynamicRefresh register configures dynamic memory operation. It is recommended that this register is modified during system initialization, or when there are no current or outstanding transactions. This can be ensured by waiting until the SDRAM Controller is idle, and then entering low-power or disabled mode. However, these control bits can, if necessary, be altered during normal operation. This register is accessed with one wait state.

Note: This register is used for all four dynamic memory chip selects. Therefore the worst case value for all of the chip selects must be programmed. [Table 5–48](#) shows the bit assignments for the MPMCDynamicRefresh register.

Table 48. Dynamic Memory Refresh Timer Register (MPMCDynamicRefresh - 0x3108 0024)

Bits	Name	Type	Description
31:11	Reserved	-	Reserved, read undefined, do not modify.
10:0	Refresh timer (REFRESH)	R/W	<p>Indicates the multiple of 16 clocks between SDRAM refresh cycles.</p> <p>0x0 = refresh disabled.</p> <p>0x1 - 0x7FF = $n \times 16 = 16n$ clocks between SDRAM refresh cycles.</p> <p>For example:</p> <p>0x1 = $1 \times 16 = 16$ clocks between SDRAM refresh cycles.</p> <p>0x8 = $8 \times 16 = 128$ clocks between SDRAM refresh cycles.</p>

For example, for the refresh period of 16 μ s, and a clock frequency of 50 MHz, the following value must be programmed into this register:

$$(16 \times 10^{-6} \times 50 \times 10^6) / 16 = 50 \text{ or } 0x32$$

Note: The refresh cycles are evenly distributed. However, there might be slight variations when the auto-refresh command is issued depending on the status of the memory controller.

2.7 Dynamic Memory Read Configuration Register (MPMCDynamicReadConfig - 0x3108 0028)

The MPMCDynamicReadConfig register configures the dynamic memory read strategy. This register must only be modified during system initialization. This register is accessed with one wait state.

Note: This register is used for all four dynamic memory chip selects. Therefore the worst case value for all of the chip selects must be programmed. [Table 5–49](#) shows the bit assignments for the MPMCDynamicReadConfig register.

Table 49. Dynamic Memory Read Configuration Register (MPMCDynamicReadConfig - 0x3108 0028)

Bits	Name	Type	Description
31:13	Reserved	-	Reserved, read undefined, do not modify.
12	DDR SDRAM read data capture polarity (DRP)	R/W	<p>0 = data captured on the negative edge of HCLK.</p> <p>1 = data captured on the positive edge of HCLK.</p>
11:10	Reserved	-	Reserved, read undefined, do not modify.

Table 49. Dynamic Memory Read Configuration Register (MPMCDynamicReadConfig - 0x3108 0028) ...continued

Bits	Name	Type	Description
9:8	DDR SDRAM read data strategy (DRD)	R/W	00 = clock out delayed strategy, using RAM_CLK (command not delayed, clock out delayed). 01 = command delayed strategy, using MPMCCLKDELAY (command delayed, clock out not delayed). 10 = command delayed strategy plus one clock cycle, using MPMCCLKDELAY (command delayed, clock out not delayed). 11 = command delayed strategy plus two clock cycles, using MPMCCLKDELAY (command delayed, clock out not delayed).
7:5	Reserved	-	Reserved, read undefined, do not modify.
4	SDR-SDRAM read data capture polarity (SRP)	R/W	0 = data captured on the negative edge of HCLK. 1 = data captured on the positive edge of HCLK.
3:2	Reserved	-	Reserved, read undefined, do not modify.
1:0	SDR-SDRAM read data strategy (SRD)	R/W	00 = clock out delayed strategy, using RAM_CLK (command not delayed, clock out delayed). 01 = command delayed strategy, using MPMCCLKDELAY (command delayed, clock out not delayed). 10 = command delayed strategy plus one clock cycle, using MPMCCLKDELAY (command delayed, clock out not delayed). 11 = command delayed strategy plus two clock cycles, using MPMCCLKDELAY (command delayed, clock out not delayed).

2.8 Dynamic Memory Precharge Command Period Register (MPMCDynamictRP - 0x3108 0030)

The MPMCDynamictRP register enables programming of the precharge command period, tRP. It is recommended that this register is modified during system initialization, or when there are no current or outstanding transactions. This can be ensured by waiting until the SDRAM Controller is idle, and then entering low-power or disabled mode. This value is normally found in SDRAM data sheets as tRP. This register is accessed with one wait state.

Note: This register is used for all four dynamic memory chip selects. Therefore the worst case value for all of the chip selects must be programmed.

[Table 5–50](#) shows the bit assignments for the MPMCDynamictRP register.

Table 50. Dynamic Memory Precharge Command Period Register (MPMCDynamictRP - 0x3108 0030)

Bits	Name	Type	Description
31:4	Reserved	-	Reserved, read undefined, do not modify.
3:0	Precharge command period (tRP)	R/W	0x0 - 0xE = n + 1 clock cycles. 0xF = 16 clock cycles.

2.9 Dynamic Memory Active to Precharge Command Period Register (MPMCDynamictRAS - 0x3108 0034)

The MPMCDynamictRAS register enables programming of the active to precharge command period, tRAS. It is recommended that this register is modified during system initialization, or when there are no current or outstanding transactions. This can be ensured by waiting until the SDRAM Controller is idle, and then entering low-power or disabled mode. This value is normally found in SDRAM data sheets as tRAS. This register is accessed with one wait state.

Note: This register is used for all four dynamic memory chip selects. Therefore the worst case value for all of the chip selects must be programmed.

[Table 5–51](#) shows the bit assignments for the MPMCDynamictRAS register.

Table 51. Dynamic Memory Active to Precharge Command Period Register (MPMCDynamictRAS - 0x3108 0034)

Bits	Name	Type	Description
31:4	Reserved	-	Reserved, read undefined, do not modify.
3:0	Active to precharge command period (tRAS)	R/W	0x0 - 0xE = n + 1 clock cycles. 0xF = 16 clock cycles.

2.10 Dynamic Memory Self-refresh Exit Time Register (MPMCDynamicSREX - 0x3108 0038)

The MPMCDynamicSREX register enables programming of the self-refresh exit time, tSREX. It is recommended that this register is modified during system initialization, or when there are no current or outstanding transactions. This can be ensured by waiting until the SDRAM Controller is idle, and then entering low-power or disabled mode. This value is normally found in SDRAM data sheets as tSREX, for devices without this parameter you use the same value as tXSR. For some DDR-SDRAM data sheets, this parameter is known as tXSNR. This register is accessed with one wait state.

Note: This register is used for all four dynamic memory chip selects. Therefore the worst case value for all of the chip selects must be programmed.

[Table 5–52](#) shows the bit assignments for the MPMCDynamicSREX register.

Table 52. Dynamic Memory Self-refresh Exit Time Register (MPMCDynamicSREX - 0x3108 0038)

Bits	Name	Type	Description
31:7	Reserved	-	Reserved, read undefined, do not modify.
6:0	Self-refresh exit time (tSREX)	R/W	0x0 - 0x7E = n + 1 clock cycles. 0x7F = 128 clock cycles.

2.11 Dynamic Memory Write Recovery Time Register (MPMCDynamictWR - 0x3108 0044)

The MPMCDynamictWR register enables programming of the write recovery time, tWR. It is recommended that this register is modified during system initialization, or when there are no current or outstanding transactions. This can be ensured by waiting until the

SDRAM Controller is idle, and then entering low-power or disabled mode. This value is normally found in SDRAM data sheets as tWR, tDPL, tRWL, or tRDL. This register is accessed with one wait state.

Note: This register is used for all four dynamic memory chip selects. Therefore the worst case value for all of the chip selects must be programmed.

[Table 5–53](#) shows the bit assignments for the MPMCDynamictWR register.

Table 53. Dynamic Memory Write Recovery Time Register (MPMCDynamictWR - 0x3108 0044)

Bits	Name	Type	Description
31:4	Reserved	-	Reserved, read undefined, do not modify.
3:0	Write recovery time (tWR)	R/W	0x0 - 0xE = n + 1 clock cycles. 0xF = 16 clock cycles.

2.12 Dynamic Memory Active To Active Command Period Register (MPMCDynamictRC - 0x3108 0048)

The MPMCDynamictRC register enables programming of the active to active command period, tRC. It is recommended that this register is modified during system initialization, or when there are no current or outstanding transactions. This can be ensured by waiting until the SDRAM Controller is idle, and then entering low-power or disabled mode. This value is normally found in SDRAM data sheets as tRC. This register is accessed with one wait state.

Note: This register is used for all four dynamic memory chip selects. Therefore the worst case value for all of the chip selects must be programmed.

[Table 5–54](#) shows the bit assignments for the MPMCDynamictRC register.

Table 54. Dynamic Memory Active To Active Command Period Register (MPMCDynamictRC - 0x3108 0048)

Bits	Name	Type	Description
31:5	Reserved	-	Reserved, read undefined, do not modify.
4:0	Active to active command period (tRC)	R/W	0x0 - 0x1E = n + 1 clock cycles. 0x1F = 32 clock cycles.

2.13 Dynamic Memory Auto-refresh Period Register (MPMCDynamictRFC - 0x3108 004C)

The MPMCDynamictRFC register enables programming of the auto-refresh period, and auto-refresh to active command period, tRFC. It is recommended that this register is modified during system initialization, or when there are no current or outstanding transactions. This can be ensured by waiting until the SDRAM Controller is idle, and then entering low-power or disabled mode. This value is normally found in SDRAM data sheets as tRFC, or sometimes as tRC. This register is accessed with one wait state.

Note: This register is used for all four dynamic memory chip selects. Therefore the worst case value for all of the chip selects must be programmed.

[Table 5–55](#) shows the bit assignments for the MPMCDynamictRFC register.

Table 55. Dynamic Memory Auto-refresh Period Register (MPMCDynamicRFC - 0x3108 004C)

Bits	Name	Type	Description
31:5	Reserved	-	Reserved, read undefined, do not modify.
4:0	Auto-refresh period and auto-refresh to active command period (tRFC)	R/W	0x0 - 0x1E = n + 1 clock cycles. 0x1F = 32 clock cycles.

2.14 Dynamic Memory Exit Self-refresh Register (MPMCDynamicXSR - 0x3108 0050)

The MPMCDynamicXSR register enables programming of the exit self-refresh to active command time, tXSR. It is recommended that this register is modified during system initialization, or when there are no current or outstanding transactions. This can be ensured by waiting until the SDRAM Controller is idle, and then entering low-power or disabled mode. This value is normally found in SDRAM data sheets as tXSR, but is sometimes called tXSNR in some DDR SDRAM data sheets. This register is accessed with one wait state.

Note: This register is used for all four dynamic memory chip selects. Therefore the worst case value for all of the chip selects must be programmed.

[Table 5–56](#) shows the bit assignments for the MPMCDynamicXSR register.

Table 56. Dynamic Memory Exit Self-refresh Register (MPMCDynamicXSR - 0x3108 0050)

Bits	Name	Type	Description
31:8	Reserved	-	Reserved, read undefined, do not modify.
7:0	Exit self-refresh to active command time (tXSR)	R/W	0x0 - 0xFE = n + 1 clock cycles. 0xFF = 256 clock cycles.

2.15 Dynamic Memory Active Bank A to Active Bank B Time Register (MPMCDynamicRRD - 0x3108 0054)

The MPMCDynamicRRD register enables programming of the active bank A to active bank B latency, tRRD. It is recommended that this register is modified during system initialization, or when there are no current or outstanding transactions. This can be ensured by waiting until the SDRAM Controller is idle, and then entering low-power or disabled mode. This value is normally found in SDRAM data sheets as tRRD. This register is accessed with one wait state.

Note: This register is used for all four dynamic memory chip selects. Therefore the worst case value for all of the chip selects must be programmed.

[Table 5–57](#) shows the bit assignments for the MPMCDynamicRRD register.

Table 57. Dynamic Memory Active Bank A to Active Bank B Time Register (MPMCDynamicRRD - 0x3108 0054)

Bits	Name	Type	Description
31:4	Reserved	-	Reserved, read undefined, do not modify.
3:0	Active bank A to active bank B latency (tRRD)	R/W	0x0 - 0xE = n + 1 clock cycles. 0xF = 16 clock cycles.

2.16 Dynamic Memory Load Mode Register To Active Command Time (MPMCDynamicMRD - 0x3108 0058)

The MPMCDynamicMRD register enables setting the load mode register to active command time, tMRD. It is recommended that this register is modified during system initialization, or when there are no current or outstanding transactions. This can be ensured by waiting until the SDRAM Controller is idle, and then entering low-power or disabled mode. This value is normally found in SDRAM data sheets as tMRD, or tRSA. This register is accessed with one wait state.

Note: This register is used for all four dynamic memory chip selects. Therefore the worst case value for all of the chip selects must be programmed.

[Table 5–58](#) shows the bit assignments for the MPMCDynamicMRD register.

Table 58. Dynamic Memory Load Mode Register To Active Command Time (MPMCDynamicMRD - 0x3108 0058)

Bits	Name	Type	Description
31:4	Reserved	-	Reserved, read undefined, do not modify.
3:0	Load mode register to active command time (tMRD)	R/W	0x0 - 0xE = n + 1 clock cycles. 0xF = 16 clock cycles.

2.17 Dynamic Memory Last Data In to Read Command Time (MPMCDynamicCDLR - 0x3108 005C)

The MPMCDynamicCDLR register enables setting the last data in to read command time, tCDLR. It is recommended that this register is modified during system initialization, or when there are no current or outstanding transactions. This can be ensured by waiting until the SDRAM Controller is idle, and then entering low-power or disabled mode. This value is normally found in SDRAM data sheets as tCDLR. This register is accessed with one wait state.

[Table 5–59](#) shows the bit assignments for the MPMCDynamicCDLR register.

Table 59. Dynamic Memory Last Data In to Read Command Time (MPMCDynamicCDLR - 0x3108 005C)

Bits	Name	Type	Description
31:4	Reserved	-	Reserved, read undefined, do not modify.
3:0	Last data in to read command time (tCDLR)	R/W	0x0 - 0xE = n + 1 clock cycles. 0xF = 16 clock cycles.

2.18 Dynamic Memory Configuration Register (MPMCDynamicConfig0 - 0x3108 0100)

The MPMCDynamicConfig0 register enables programming of configuration information for the relevant dynamic memory chip select. This register is normally only modified during system initialization. This register is accessed with one wait state.

[Table 5–60](#) shows the bit assignments for the MPMCDynamicConfig0 register.

Table 60. Dynamic Memory Configuration Register (MPMCDynamicConfig0 - 0x3108 0100)^{[1][2]}

Bits	Name	Type	Description
31:21	Reserved	-	Reserved, read undefined, do not modify.
20	Write protect (P)	R/W	0 = writes not protected. 1 = write protected.
19:15	Reserved	-	Reserved, read undefined, do not modify.
14:7	Address mapping (AM)	R/W	See Table 5–61 .
6:3	Reserved	-	Reserved, read undefined, do not modify.
2:0	Memory device (MD)	R/W	000 = SDR SDRAM. 001 = reserved. 010 = low power SDR SDRAM. 011 = reserved. 100 = DDR SDRAM. 101 = reserved. 110 = low power DDR SDRAM. 111 = reserved.

[1] The buffers must be disabled during SDRAM initialization, and be enabled during normal operation.

[2] The SDRAM column and row width and number of banks are computed automatically from the address mapping.

Address mappings that are not shown in [Table 5–61](#) are reserved.

Table 61. Address mapping

[14]	[13:12]	[11:9]	[8:7]	Description
16-bit external bus high-performance address mapping (Row, Bank, Column)				
0	00	000	00	16Mb (2Mx8), 2 banks, row length = 11, column length = 9
0	00	000	01	16Mb (1Mx16), 2 banks, row length = 11, column length = 8
0	00	001	00	64Mb (8Mx8), 4 banks, row length = 12, column length = 9
0	00	001	01	64Mb (4Mx16), 4 banks, row length = 12, column length = 8
0	00	010	00	128Mb (16Mx8), 4 banks, row length = 12, column length = 10
0	00	010	01	128Mb (8Mx16), 4 banks, row length = 12, column length = 9
0	00	011	00	256Mb (32Mx8), 4 banks, row length = 13, column length = 10
0	00	011	01	256Mb (16Mx16), 4 banks, row length = 13, column length = 9
0	00	100	00	512Mb (64Mx8), 4 banks, row length = 13, column length = 11
0	00	100	01	512Mb (32Mx16), 4 banks, row length = 13, column length = 10
16-bit external bus low-power SDRAM address mapping (Bank, Row, Column)				
0	01	000	00	16Mb (2Mx8), 2 banks, row length = 11, column length = 9
0	01	000	01	16Mb (1Mx16), 2 banks, row length = 11, column length = 8
0	01	001	00	64Mb (8Mx8), 4 banks, row length = 12, column length = 9
0	01	001	01	64Mb (4Mx16), 4 banks, row length = 12, column length = 8
0	01	010	00	128Mb (16Mx8), 4 banks, row length = 12, column length = 10
0	01	010	01	128Mb (8Mx16), 4 banks, row length = 12, column length = 9
0	01	011	00	256Mb (32Mx8), 4 banks, row length = 13, column length = 10
0	01	011	01	256Mb (16Mx16), 4 banks, row length = 13, column length = 9

Table 61. Address mapping ...continued

[14]	[13:12]	[11:9]	[8:7]	Description
0	01	100	00	512Mb (64Mx8), 4 banks, row length = 13, column length = 11
0	01	100	01	512Mb (32Mx16), 4 banks, row length = 13, column length = 10
32-bit external bus high-performance address mapping (Row, Bank, Column)				
1	00	000	00	16Mb (2Mx8), 2 banks, row length = 11, column length = 9
1	00	000	01	16Mb (1Mx16), 2 banks, row length = 11, column length = 8
1	00	001	00	64Mb (8Mx8), 4 banks, row length = 12, column length = 9
1	00	001	01	64Mb (4Mx16), 4 banks, row length = 12, column length = 8
1	00	001	10	64Mb (2Mx32), 4 banks, row length = 11, column length = 8
1	00	010	00	128Mb (16Mx8), 4 banks, row length = 12, column length = 10
1	00	010	01	128Mb (8Mx16), 4 banks, row length = 12, column length = 9
1	00	010	10	128Mb (4Mx32), 4 banks, row length = 12, column length = 8
1	00	011	00	256Mb (32Mx8), 4 banks, row length = 13, column length = 10
1	00	011	01	256Mb (16Mx16), 4 banks, row length = 13, column length = 9
1	00	011	10	256Mb (8Mx32), 4 banks, row length = 13, column length = 8
1	00	100	00	512Mb (64Mx8), 4 banks, row length = 13, column length = 11
1	00	100	01	512Mb (32Mx16), 4 banks, row length = 13, column length = 10
32-bit external bus low-power SDRAM address mapping (Bank, Row, Column)				
1	01	000	00	16Mb (2Mx8), 2 banks, row length = 11, column length = 9
1	01	000	01	16Mb (1Mx16), 2 banks, row length = 11, column length = 8
1	01	001	00	64Mb (8Mx8), 4 banks, row length = 12, column length = 9
1	01	001	01	64Mb (4Mx16), 4 banks, row length = 12, column length = 8
1	01	001	10	64Mb (2Mx32), 4 banks, row length = 11, column length = 8
1	01	010	00	128Mb (16Mx8), 4 banks, row length = 12, column length = 10
1	01	010	01	128Mb (8Mx16), 4 banks, row length = 12, column length = 9
1	01	010	10	128Mb (4Mx32), 4 banks, row length = 12, column length = 8
1	01	011	00	256Mb (32Mx8), 4 banks, row length = 13, column length = 10
1	01	011	01	256Mb (16Mx16), 4 banks, row length = 13, column length = 9
1	01	011	10	256Mb (8Mx32), 4 banks, row length = 13, column length = 8
1	01	100	00	512Mb (64Mx8), 4 banks, row length = 13, column length = 11
1	01	100	01	512Mb (32Mx16), 4 banks, row length = 13, column length = 10

A chip select can be connected to a single memory device, in this case the chip select data bus width is the same as the device width. Alternatively the chip select can be connected to a number of external devices. In this case the chip select data bus width is the sum of the memory device data bus widths.

For example, for a chip select connected to:

- A 32-bit wide memory device, choose a 32-bit wide address mapping.
- A 16-bit wide memory device, choose a 16-bit wide address mapping.
- 4 x 8-bit wide memory devices, choose a 32-bit wide address mapping.
- 2 x 8-bit wide memory devices, choose a 16-bit wide address mapping.

2.19 Dynamic Memory RAS and CAS Delay Register (MPMCDynamicRasCas0 - 0x3108 0104)

The MPMCDynamicRasCas0 register enables programming of RAS and CAS latencies for the relevant dynamic memory. These registers must only be modified during system initialization. These registers are accessed with one wait state.

Note: The values programmed into this register must be consistent with the values used to initialize the SDRAM memory device.

[Table 5–62](#) shows the bit assignments for the MPMCDynamicRasCas0 register.

Table 62. Dynamic Memory RAS and CAS Delay Register (MPMCDynamicRasCas0 - 0x3108 0104)

Bits	Name	Type	Description
31:11	Reserved	-	Reserved, read undefined, do not modify.
10:7	CAS latency (CAS)	R/W	0000 = reserved. 0001 = one half clock cycle. 0010 = one clock cycle. 0011 = one and a half clock cycles. 0100 = two clock cycles. 0101 = two and a half clock cycles. 0110 = three clock cycles. 0111 = three and a half clock cycles. 1000 = four clock cycles. 1001 = four and a half clock cycles. 1010 = five clock cycles. 1011 = five and a half clock cycles. 1100 = six clock cycles. 1101 = six and a half clock cycles. 1110 = seven clock cycles. 1111 = seven and a half clock cycles.
6:4	Reserved	-	Reserved, read undefined, do not modify.
3:0	RAS latency (active to read/write delay) (RAS)	R/W	0000 = reserved. 0001 to 1110 = n clock cycles. 1111 = 15 clock cycles.

2.20 SDRAM Controller AHB Control Registers (MPMCAHBControl0, 2-4 - 0x3108 0400, 0440, 0460, 0480)

The MPMCAHBControl0, 2-4 registers are used to control operation of the AHB interfaces to the SDRAM Controller. These registers can be altered during normal operation.

[Table 5–63](#) shows the bit assignments for the MPMCAHBControl0, 2-4 registers.

Table 63. SDRAM Controller AHB Control Registers (MPMCAHBControl0, 2-4 - 0x3108 0400, 0440, 0460, 0480)

Bits	Name	Type	Description
31:1	Reserved	-	Reserved, read undefined, do not modify.
0	AHB Port Buffer Enable (E)	R/W	0 = disable buffer. 1 = enable buffer.

2.21 SDRAM Controller AHB Status Registers (MPMCAHBStatus0, 2-4 - 0x3108 0404, 0444, 0464, 0484)

The MPMCAHBStatus0, 2-4 registers status information on the AHB interface.

[Table 5–64](#) shows the bit assignments for the MPMCAHBStatus0, 2-4 registers.

Table 64. SDRAM Controller AHB Status Registers (MPMCAHBStatus0, 2-4 - 0x3108 0404, 0444, 0464, 0484)

Bits	Name	Type	Description
31:2	Reserved	-	Reserved, read undefined, do not modify.
1	AHB Port Buffer Status (S)	RO	0 = buffer empty. 1 = buffer contains data.
0	Reserved	-	Reserved, read undefined, do not modify.

2.22 SDRAM Controller AHB Timeout Registers (MPMCAHBTime0, 2-4 - 0x3108 0408, 0448, 0468, 0488)

The MPMCAHBTime0, 2-4 registers are used to ensure that each AHB port is serviced within a specified number of cycles. When a request goes active, the values in the MPMCAHBTime0, 2-4 registers are loaded into a down counter. If the transfer is not processed before the counter reaches zero, the priority of the AHB port is increased until the request is serviced. These registers can be altered during normal operation.

[Table 5–65](#) shows the bit assignments for the MPMCAHBTime0, 2-4 registers.

Table 65. SDRAM Controller AHB Timeout Registers (MPMCAHBTime0, 2-4 - 0x3108 0408, 0448, 0468, 0488)

Bits	Name	Type	Description
31:10	Reserved	-	Reserved, read undefined, do not modify.
9:0	AHB Timeout (AHBTIMEOUT)	R/W	0x0 = timeout disabled. 0x001 - 0x1FF = number of AHB cycles before timeout is reached.

2.23 DDR Calibration Nominal Value (DDR_LAP_NOM - 0x4000 406C)

This register is part of the mechanism for calibrating the DQS input timing if DDR SDRAMs are used. Refer to the section on DDR DQS delay calibration for details.

Table 66. DDR Calibration Nominal Value (DDR_LAP_NOM - 0x4000 406C)

Bits	Function	Reset value
31:0	A nominal count value corresponding to typical process, voltage, and temperature conditions must be written here by software.	0

2.24 DDR Calibration Measured Value (DDR_LAP_COUNT - 0x4000 4070)

This register is part of the mechanism for calibrating the DQS input timing if DDR SDRAMs are used. DDR_LAP_COUNT is a Read-Only register. Refer to the section on DDR DQS delay calibration for details.

Table 67. DDR Calibration Measured Value (DDR_LAP_COUNT - 0x4000 4070)

Bits	Function	Reset value
31:0	Value of DDR SDRAM ring oscillator counter.	0

2.25 DDR Calibration Delay Value (DDR_CAL_DELAY - 0x4000 4074)

Table 68. DDR Calibration Delay Value (DDR_CAL_DELAY - 0x4000 4074)

Bits	Function	Reset value
31:5	Reserved, user software should not write ones to reserved bits. The value read from a reserved bit is not defined.	-
4:0	The current calibrated delay setting can be read out here. This value can change for every calibration performed.	0

2.26 Ring Oscillator Control Register (RINGOSC_CTRL - 0x4000 4088)

This register is part of the mechanism for calibrating the DQS input timing if DDR SDRAMs are used. Refer to the section on DDR DQS delay calibration for details.

The ring oscillator is a self-contained on-chip oscillator that can be started and stopped under software control by writing to the RINGOSC_CTRL register. A counter value may be read out that reflects existing process, voltage, and temperature conditions.

Table 69. Ring Oscillator Control Register (RINGOSC_CTRL - 0x4000 4088)

Bits	Function
10	Ring oscillator start measure control bit. When this bit is written to a 1, the ring oscillator counter will start counting from 0. The counter counts for 32 RTC clock periods and then stops. It will also stop if it has counted to the maximum value. The start and stop of the counter will be synchronized to the 32.768 kHz RTC clock edge. 0 = Ring oscillator in power down mode. The ring oscillator count value is cleared. Note that this bit must stay low for at least one RTC clock period between measurements. 1 = Start one counter capture sequence. After 32 RTC clock periods, the counter value will contain the number of Ring oscillator clocks counted.
9:0	Ring oscillator clock counter value. The counter will start counting from zero when control bit 10 is written to a 1. A typical value is about 300 decimal. 0000000000 = 0 clocks 1111111111 = 1024 clocks. The counter will stop if more than 1024 clocks occur.

3. DDR DQS delay calibration

The DQS calibration circuitry is only needed when DDR SDRAM is used. DDR SDRAM devices output two DQS signals aligned with read data, each DQS is applied to 8 data bits. The SDRAM controller uses a delayed version of the DQS signals for sampling the read data. The calibration circuitry makes it possible for software to program a nominal fixed delay for DQS, which will be compensated for varying temperature, voltage and process. Note that the arithmetic done in hardware to accomplish this uses signed numbers.

The delay calibration circuit does an automated calibration on the positive edge of RTC_TICK or manually calibrates on request by the SW_DDR_CAL signal (SDRAMCLK_CTRL[8]). The ring oscillator and cycle counter runs for one period of PERIPH_CLK when calibrating. When RTC_TICK calibration is enabled, there will be a new calibration every second as long as the CPU is not in stop mode. When the CPU is in stop mode the calibration circuitry is automatically disabled in order to keep power consumption low.

When the ring oscillator has run for one PERIPH_CLK period, the counter will have a value reflecting the speed of the ring oscillator. The speed of the ring oscillator represents the speed in the entire device under existing environmental conditions. The counter value is readable by software in the DDR_LAP_COUNT register. Software programs the DDR_LAP_NOM register with a value corresponding to the nominal count value for typical process, voltage and temperature conditions. The difference between these two registers represents the deviation from nominal circuit speed. The sensitivity of the circuit is controlled by shifting this value down by the number of bits given by SDRAMCLK_CTRL[12:10]. A large shift causes little compensation to the DDR_DQSIN_DELAY value.

The adjusted deviation value (which is a signed number), is added to the software programmed nominal delay in DDR_DQSIN_DELAY. The output of the adder is the value used to program the delay network. On an overflow/underflow in the adder, the maximum or minimum values are used. The adder status can be read in SDRAMCLK_CTRL[13]. In order to avoid adjusting the delay network during an ongoing DDR SDRAM access, the internal bus request signal is used to update the value.

Non-calibrated delays can be used by programming the CAL_DELAY signal to 0 in SDRAMCLK_CTRL[9].

The delay circuitry is only clocked when DDR SDRAM is selected in SDRAMCLK_CTRL[1].

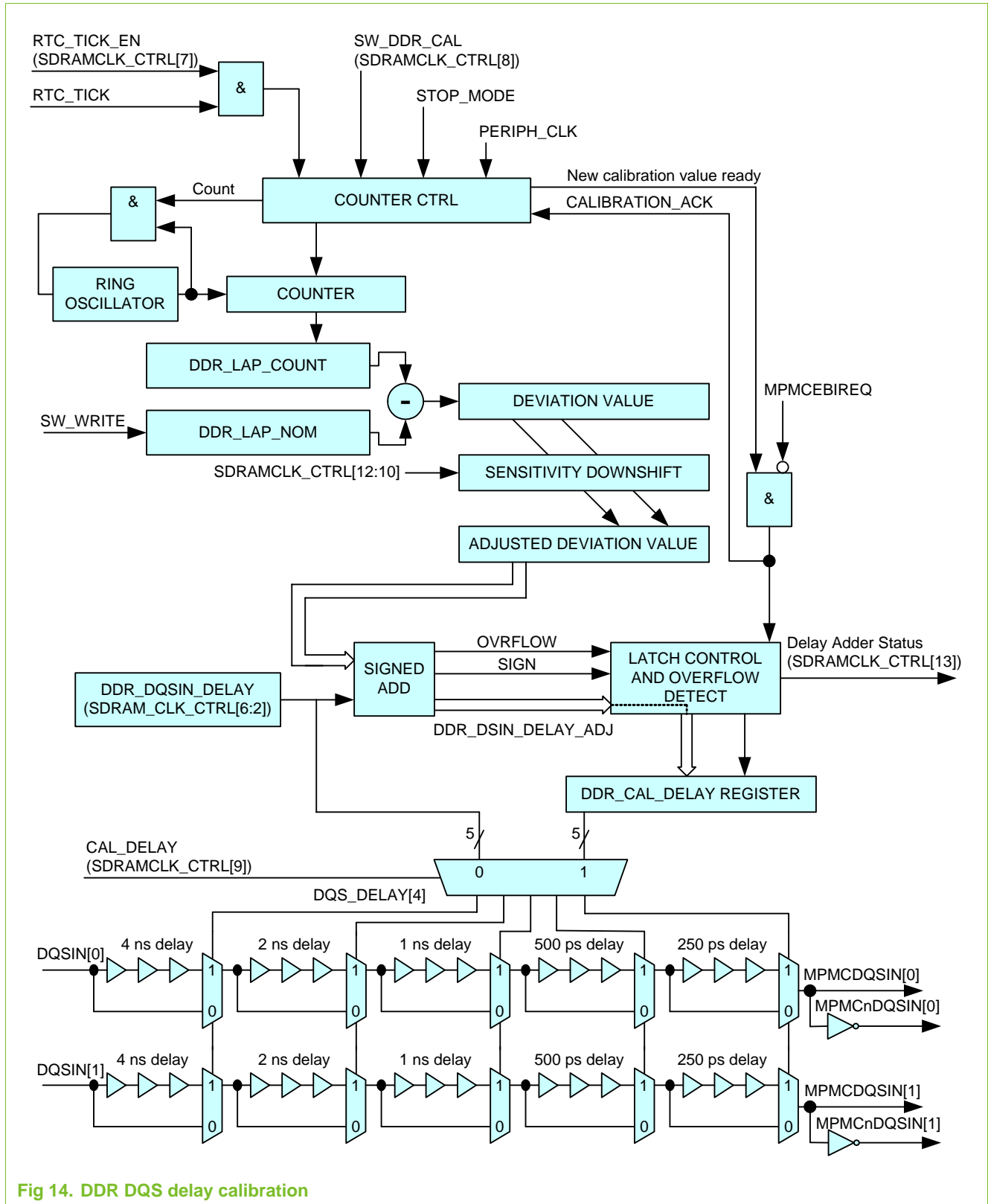


Fig 14. DDR DQS delay calibration

1. Introduction

The LPC3180 Interrupt controller is comprised of three copies of a basic interrupt controller block connected so as to form a single larger interrupt controller. Each basic interrupt controller is capable of supporting up to 32 interrupts.

2. Features

- Supports 60 interrupts.
- FAB bus interface for fast register access.
- Interrupt enable bit for each interrupt.
- Individually selectable interrupt polarity and type allows for high or low level triggered interrupts, as well as rising or falling edge triggered interrupts.
- Each interrupt may be steered to either the IRQ or FIQ input to the CPU.
- Raw interrupt status and masked interrupt status registers are available for versatile condition evaluation.
- Provides a software interrupt with a message register.

3. Description

The Interrupt Controller is accessed via the FAB bus and is clocked by PERIPH_CLK clock in all modes except stop mode. The internal connections of the Interrupt Controller are shown in [Figure 6-15](#). As illustrated, inputs to the Interrupt Controller that are asynchronous are synchronized prior to processing. The output of the Interrupt Controller drives the FIQ and IRQ inputs to the CPU.

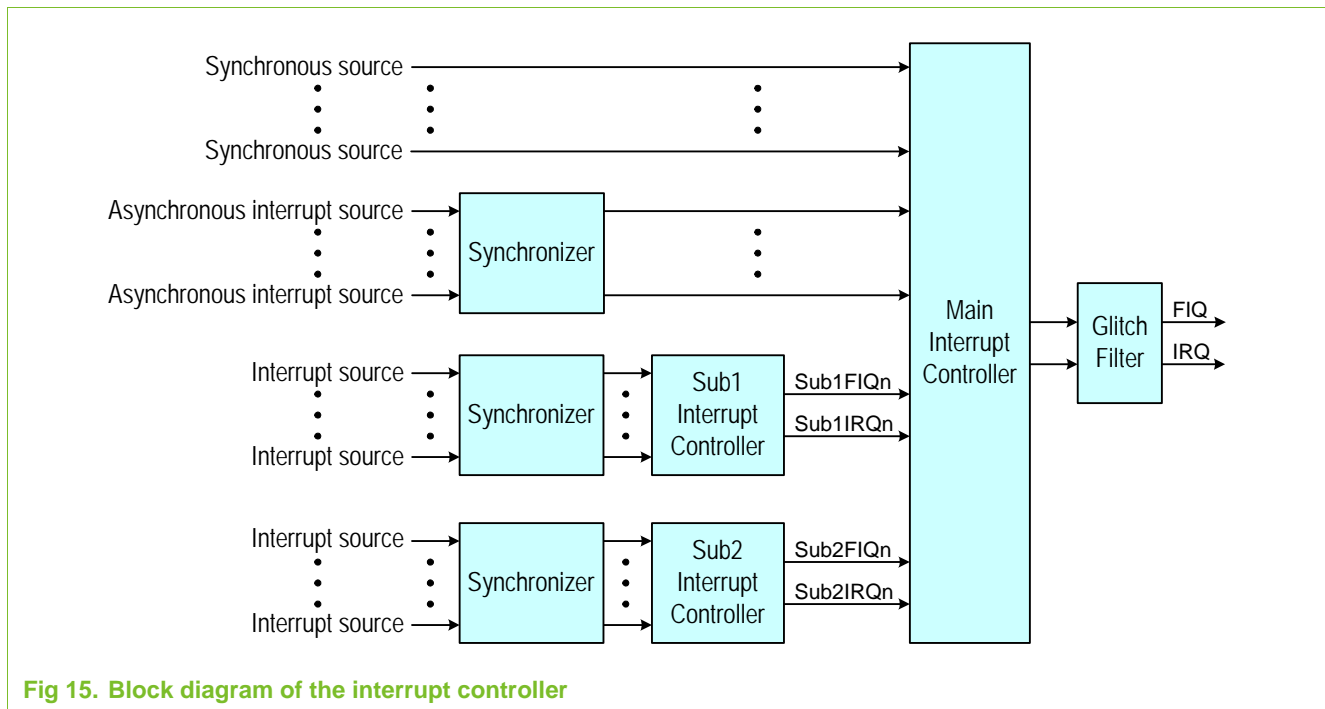


Fig 15. Block diagram of the interrupt controller

All external pin interrupts are connected via synchronizing circuits to the two Sub Interrupt Controllers (SIC1 and SIC2). The four interrupt outputs of the SICs are connected to four interrupt inputs of the Main interrupt controller (MIC). It is advised to always configure these inputs on the MIC to active low level.

All interrupts may be programmed for a specific polarity of either a level or an edge. If set up to trigger on an edge, an active interrupt state is stored until cleared by the host. Each interrupt source can be individually masked and the interrupt status can be read both before and after masking. Each interrupt source is set to generate either an IRQ or a FIQ. The interrupt mode for each interrupt pin must be configured in the SIC registers APR and ATR. A typical bit slice of the interrupt controller is shown in [Figure 6–16](#).

The software interrupt feature is activated by a register bit in the SW_INT register, and is otherwise handled in the same manner as a hardware interrupt. Seven bits in the SW_INT register are available to provide information to the software interrupt service routine.

At reset, all registers in the interrupt controllers are set to zeros disabling the interrupt controller by default. Software must configure the controller during initialization.

Note that software must enable the SubFIQn and SubIRQn sources in the Main interrupt controller if any interrupts in the Sub Interrupt Controller will be used. These sources are active low.

4. Register description

Table 70. Interrupt controller registry summary

Address	Register name	Description	Reset value	Type
0x4000 8000	MIC_ER	Enable Register for the Main Interrupt Controller	0	R/W
0x4000 8004	MIC_RSR	Raw Status Register for the Main Interrupt Controller	x	R/W
0x4000 8008	MIC_SR	Status Register for the Main Interrupt Controller	0	RO
0x4000 800C	MIC_APR	Activation Polarity select Register for the Main Interrupt Controller	0	R/W
0x4000 8010	MIC_ATR	Activation Type select Register for the Main Interrupt Controller	0	R/W
0x4000 8014	MIC_ITR	Interrupt Type select Register for the Main Interrupt Controller	0	R/W
0x4000 C000	SIC1_ER	Enable register for Sub Interrupt Controller 1	0	R/W
0x4000 C004	SIC1_RSR	Raw Status Register for Sub Interrupt Controller 1	-	R/W
0x4000 C008	SIC1_SR	Status Register for Sub Interrupt Controller 1	0	RO
0x4000 C00C	SIC1_APR	Activation Polarity select Register for Sub Interrupt Controller 1	0	R/W
0x4000 C010	SIC1_ATR	Activation Type select Register for Sub Interrupt Controller 1	0	R/W
0x4000 C014	SIC1_ITR	Interrupt Type select Register for Sub Interrupt Controller 1	0	R/W
0x4001 0000	SIC2_ER	Enable register for Sub Interrupt Controller 2	0	R/W
0x4001 0004	SIC2_RSR	Raw Status Register for Sub Interrupt Controller 2	x	R/W
0x4001 0008	SIC2_SR	Status Register for Sub Interrupt Controller 2	0	RO
0x4001 000C	SIC2_APR	Activation Polarity select Register for Sub Interrupt Controller 2	0	R/W
0x4001 0010	SIC2_ATR	Activation Type select Register for Sub Interrupt Controller 2	0	R/W
0x4001 0014	SIC2_ITR	Interrupt Type select Register for Sub Interrupt Controller 2	0	R/W

4.1 Interrupt Enable Register for the Main Interrupt Controller (MIC_ER - 0x4000 8000)

The MIC_ER register contains bits that allow enabling and disabling individual interrupt sources to the Main Interrupt Controller. For all interrupt enable bits, 0 = interrupt disabled (default at reset) and 1 = interrupt enabled. The upper two bits in MIC_ER control all FIQ interrupts from the Sub Interrupt Controllers, while the lower two bits control all IRQ interrupts from the Sub Interrupt Controllers. [Table 6-71](#) describes the function of each bit in this register.

Note: Internal peripheral interrupt sources are active HIGH unless otherwise noted.

Table 71. Interrupt Enable Register for the Main Interrupt Controller (MIC_ER - 0x4000 8000)

Bits	Name	Description	Reset value
31	Sub2FIQn	High priority (FIQ) interrupts from SIC2. Active LOW.	0
30	Sub1FIQn	High priority (FIQ) interrupts from SIC1. Active LOW.	0
29	Reserved	Reserved, do not modify.	0
28	DMAINT	General Purpose DMA Controller interrupt.	0
27	MSTIMER_INT	Match interrupt 0 or 1 from the Millisecond Timer.	0
26	IIR1	UART1 interrupt.	0
25	IIR2	UART2 interrupt.	0
24	IIR7	UART7 interrupt.	0
23:16	Reserved	Reserved, do not modify.	0
15	SD0_INT	Interrupt 0 from the SD Card interface.	0
14	Reserved	Reserved, do not modify.	0
13	SD1_INT	Interrupt 1 from the SD Card interface.	0
12	Reserved	Reserved, do not modify.	0
11	FLASH_INT	Interrupt from the NAND Flash controller.	0
10	IIR6	UART6 interrupt.	0
9	IIR5	UART5 interrupt.	0
8	IIR4	UART4 interrupt.	0
7	IIR3	UART3 interrupt.	0
6	WATCH_INT	Watchdog Timer interrupt.	0
5	HSTIMER_INT	Match interrupt from the High Speed Timer.	0
4:2	Reserved	Reserved, do not modify.	0
1	Sub2IRQn	Low priority (FIQ) interrupts from SIC2. Active LOW.	0
0	Sub1IRQn	Low priority (FIQ) interrupts from SIC1. Active LOW.	0

4.2 Interrupt Enable Register for Sub Interrupt Controller 1 (SIC1_ER - 0x4000 C000)

The SIC1_ER register contains bits that allow enabling and disabling individual interrupt sources to Sub Interrupt Controller 1. For all interrupt enable bits, 0 = interrupt disabled (default at reset) and 1 = interrupt enabled. [Table 6–72](#) describes the function of each bit in this register.

Note: Internal peripheral interrupt sources are active HIGH unless otherwise noted.

Table 72. Interrupt Enable Register for Sub Interrupt Controller 1 (SIC1_ER - 0x4000 C000)

Bits	Name	Description	Reset value
31	USB_i2c_int	Interrupt from the USB I ² C interface.	0
30	USB_dev_hp_int	USB high priority interrupt.	0
29	USB_dev_lp_int	USB low priority interrupt.	0
28	USB_dev_dma_int	USB DMA interrupt.	0
27	USB_host_int	USB host interrupt.	0
26	USB_otg_atx_int_n	External USB transceiver interrupt. Active LOW.	0
25	USB_otg_timer_int	USB timer interrupt.	0

Table 72. Interrupt Enable Register for Sub Interrupt Controller 1 (SIC1_ER - 0x4000 C000)

Bits	Name	Description	Reset value
24	SW_INT	Software interrupt (caused by bit 0 of the SW_INT register).	0
23	SPI1_INT	Interrupt from the SPI1 interface.	0
22	KEY_IRQ	Keyboard scanner interrupt.	0
21	Reserved	Reserved, do not modify.	0
20	RTC_INT	Match interrupt 0 or 1 from the RTC.	0
19	I2C_1_INT	Interrupt from the I2C1 interface.	0
18	I2C_2_INT	Interrupt from the I2C2 interface.	0
17	PLL397_INT	Lock interrupt from the 397x PLL.	0
16:15	Reserved	Reserved, do not modify.	0
14	PL LHCLK_INT	Lock interrupt from the HCLK PLL.	0
13	PLLUSB_INT	Lock interrupt from the USB PLL.	0
12	SPI2_INT	Interrupt from the SPI2 interface.	0
11:8	Reserved	Reserved, do not modify.	0
7	ADC_INT	A/D Converter interrupt.	0
6:5	Reserved	Reserved, do not modify.	0
4	GPI_11	Interrupt from the GPI_11 pin.	0
3	Reserved	Reserved, do not modify.	0
2	JTAG_COMM_RX	Receiver full interrupt from the JTAG Communication Channel.	0
1	JTAG_COMM_TX	Transmitter empty interrupt from the JTAG Communication Channel.	0
0	Reserved	Reserved, do not modify.	0

4.3 Interrupt Enable Register for Sub Interrupt Controller 2 (SIC2_ER - 0x4001 0000)

The SIC2_ER register contains bits that allow enabling and disabling individual interrupt sources to Sub Interrupt Controller 2. For all interrupt enable bits, 0 = interrupt disabled (default at reset) and 1 = interrupt enabled. [Table 6–73](#) describes the function of each bit in this register.

Note: Internal peripheral interrupt sources are active HIGH unless otherwise noted.

Table 73. Interrupt Enable Register for Sub Interrupt Controller 2 (SIC2_ER - 0x4001 0000)

Bits	Name	Description	Reset value
31	SYSCCLK mux	Status of the SYSCCLK Mux (SYSCCLK_CTRL[0]). May be used to begin operations that require a change to the alternate clock source.	0
30:29	Reserved	Reserved, do not modify.	0
28	GPI_06	Interrupt from the GPI_06 (HSTIM_CAP) pin.	0
27	GPI_05	Interrupt from the GPI_05 pin.	0
26	GPI_04	Interrupt from the GPI_04 (SPI1_BUSY) pin.	0
25	GPI_03	Interrupt from the GPI_03 pin.	0
24	GPI_02	Interrupt from the GPI_02 pin.	0

Table 73. Interrupt Enable Register for Sub Interrupt Controller 2 (SIC2_ER - 0x4001 0000)

Bits	Name	Description	Reset value
23	GPI_01	Interrupt from the GPI_01 (SERVICE_N) pin.	0
22	GPI_00	Interrupt from the GPI_00 pin.	0
21	Reserved	Reserved, do not modify.	0
20	SPI1_DATIN	Interrupt from the SPI1_DATIN pin.	0
19	U5_RX	Interrupt from the UART5 RX pin.	0
18	SDIO_INT_N	Interrupt from the MS_DIO1 pin. Active LOW.	0
17:16	Reserved	Reserved, do not modify.	0
15	GPI_07	Interrupt from the GPI_07 pin.	0
14:13	Reserved	Reserved, do not modify.	0
12	U7_HCTS	Interrupt from the UART7 HCTS pin.	0
11	GPI_10	Interrupt from the GPI_10 (U4_RX) pin.	0
10	GPI_09	Interrupt from the GPI_09 (KEY_COL7) pin.	0
9	GPI_08	Interrupt from the GPI_08 (KEY_COL6, SPI2_BUSY) pin.	0
8	Reserved	Reserved, do not modify.	0
7	U2_HCTS	Interrupt from the UART2 HCTS pin.	0
6	SPI2_DATIN	Interrupt from the SPI1_DATIN) pin.	0
5	GPIO_05	Interrupt from the GPI_05 pin.	0
4	GPIO_04	Interrupt from the GPI_04 pin.	0
3	GPIO_03	Interrupt from the GPI_03 (KEY_ROW7) pin.	0
2	GPIO_02	Interrupt from the GPI_02 (KEY_ROW6) pin.	0
1	GPIO_01	Interrupt from the GPI_01 pin.	0
0	GPIO_00	Interrupt from the GPI_00 pin.	0

4.4 Main Interrupt Controller Raw Status Register (MIC_RSR - 0x4000 8004); Sub1 Raw Status Register (SIC1_RSR - 0x4000 C004); Sub2 Raw Status Register (SIC2_RSR - 0x4001 0004)

The Raw Status Registers provide information about the state of interrupt sources before they are potentially masked by the corresponding Enable Register. These registers also allow clearing edge triggered interrupts whether or not they are masked. [Table 6-74](#) describes the function of bits in this register.

Table 74. Sub1 Raw Status Register (SIC1_RSR - 0x4000 C004)

Bits	Description	Reset value
31:0	<p>Raw Interrupt Status. Reading the RSR shows which interrupt sources are active before being masked by the ER. Writing to the RSR clears the interrupt status from edge triggered sources. Level triggered sources must be cleared at the source.</p> <p>The interrupt to which each bit applies can be found in the table for the related Enable Register (MIC_ER, SIC1_ER, or SIC2_ER).</p> <p>Read:</p> <p>0 = Source is not generating an interrupt. 1 = Source is generating an interrupt.</p> <p>Write:</p> <p>0 = No Operation. 1 = Clear the interrupt status of edge triggered sources.</p>	-

4.5 Main Interrupt Controller Status Register (MIC_SR - 0x4000 8008); Sub1 Status Register (SIC1_SR - 0x4000 C008); Sub2 Status Register (SIC2_SR - 0x4001 0008)

The Interrupt Status Registers provide information on which interrupts are actually pending, after being masked by the corresponding Enable Register. [Table 6-75](#) describes the function of bits in this register.

Table 75. Interrupt Status Registers (MIC_SR, SIC1_SR, and SIC2_SR)

Bits	Description	Reset value
31:0	<p>Interrupt status. A high bit indicates that the unmasked interrupt source is generating an interrupt.</p> <p>The interrupt to which each bit applies can be found in the table for the related Enable Register (MIC_ER, SIC1_ER, or SIC2_ER).</p> <p>0 = No interrupt pending (Default) 1 = Interrupt pending</p>	0

4.6 Main Interrupt Controller Activation Polarity Register (MIC_APR - 0x4000 800C; Sub1 Activation Polarity Register (SIC1_APR - 0x4000 C00C); Sub2 Activation Polarity Register (SIC2_APR - 0x4001 000C)

The interrupt Activation Polarity Registers allow selection of the activation polarity of each interrupt. In connection with the Activation Type registers, four basic modes may be chosen: low level, high level, falling edge, or rising edge triggering. [Table 6-76](#) describes the function of bits in this register.

Table 76. Activation Polarity Registers (MIC_APR, SIC1_SPR, and SIC2_APR)

Bits	Description	Reset value
31:0	<p>Interrupt Polarity select. See the ATR register description for level versus edge selection.</p> <p>The interrupt to which each bit applies can be found in the table for the related Enable Register (MIC_ER, SIC1_ER, or SIC2_ER).</p> <p>0 = Interrupt is generated on a low level signal or falling edge. 1 = Interrupt is generated on a high level signal or rising edge.</p>	0

4.7 Main Interrupt Controller Activation Type Register (MIC_ATR - 0x4000 8010); Sub1 Activation Type Register (SIC1_ATR - 0x4000 C010); Sub2 Activation Type Register (SIC2_ATR - 0x4001 0010)

The interrupt Activation Type Registers allow selection of the trigger type of each interrupt. In connection with the Activation Polarity registers, four basic modes may be chosen: low level, high level, falling edge, or rising edge triggering. [Table 6–77](#) describes the function of bits in this register.

Table 77. Activation Type Registers (MIC_ATR, SIC1_ATR, and SIC2_ATR)

Bits	Description	Reset value
31:0	<p>Interrupt Activation Type selection, determines whether each interrupt is level sensitive or edge sensitive.</p> <p>The interrupt to which each bit applies can be found in the table for the related Enable Register (MIC_ER, SIC1_ER, or SIC2_ER).</p> <p>0 = Interrupt is level sensitive. (Default)</p> <p>1 = Interrupt is edge sensitive.</p>	0

4.8 Main Interrupt Controller Interrupt Type Register (MIC_ITR - 0x4000 8014); Sub1 Interrupt Type Register (SIC1_ITR - 0x4000 C014); Sub2 Interrupt Type Register (SIC2_ITR - 0x4001 0014)

The Interrupt Type Registers allow each interrupt to be reflected to the CPU as either a standard Interrupt Request (IRQ) or a Fast Interrupt Request (FIQ). [Table 6–78](#) describes the function of bits in this register.

Table 78. Sub1 Interrupt Type Registers (MIC_ITR, SIC1_ITR, and SIC2_ITR)

Bits	Description	Reset value
31:0	<p>Interrupt Type selection, determines whether each interrupt is a standard interrupt request (IRQ), or a Fast Interrupt Request (FIQ).</p> <p>The interrupt to which each bit applies can be found in the table for the related Enable Register (MIC_ER, SIC1_ER, or SIC2_ER).</p> <p>0 = The interrupt is routed to the IRQ output of the interrupt controller.</p> <p>1 = The interrupt is routed to the FIQ output of the interrupt controller.</p>	0

4.9 Software Interrupt Register (SW_INT - 0x4000 40A8)

The SW_INT register allows software to cause a hardware interrupt specifically reserved for this purpose. Additional bits in the register allow the possibility of passing information about the reason for the software interrupt to the service routine.

Table 79. Software Interrupt Register (SW_INT - 0x4000 40A8)

Bits	Description	Reset value
7:1	Implemented as read/write register bits. Can be used to pass a parameter to the interrupt service routine.	0x00
0	<p>0 = SW_INT source inactive.</p> <p>1 = SW_INT source active. Software must ensure that this bit is high for more than one SYSCLK period. This can be accomplished by causing foreground software to set SW_INT[0] and the software interrupt service routine to clear the bit.</p>	0

1. Introduction

Note: The LPC3180 has two NAND Flash controllers, one for multi level NAND Flash devices and one for single level NAND Flash devices. The two NAND Flash controllers use the same pins to interface to external NAND Flash devices, so only one interface may be active at a time. The NAND Flash controllers can be disabled by bits in the FLASHCLK_CTRL register in order to save power when they are not used.

The Multi Level Cell MLC NAND Flash controller interfaces to multi-level NAND Flash devices. An external NAND Flash device (of either multi-level or single-level type) may be used to allow the Boot Loader to automatically load application code into internal RAM for execution.

2. Features

- Supports up to 2 Gbit devices.
- Supports small (528 bytes) and large (2114 bytes) page.
- Supports single and multi-level NAND flash memory.
- Programmable NAND timing parameters.
- Reed-Solomon (R/S) encoder/decoder (10 bit symbols).
- 4-symbol correction capability (4-40 bit).
- Auto encode/decode cycles using built-in serial data buffer.
- 528-bytes serial data buffer.
- Supports DMA.

3. Pin descriptions

Table 80. NAND-Flash memory controller pins

Pin name	Type	NAND Flash Signal	Function
FLASH_CE_N	output	CEn	Chip select, active LOW.
FLASH_WR_N	output	WEn	Write enable, active LOW.
FLASH_RD_N	output	REn	Read Enable, active LOW.
FLASH_ALE	output	ALE	Address Latch Enable.
FLASH_CLE	output	CLE	Command Latch Enable.
FLASH_RDY	input	RDY	MLC: active LOW Ready/active HIGH Busy signal. SLC: active HIGH Ready signal.
FLASH_IO[7:0]	input/output	D_IO	I/O pins, commands, address and data.

3.1 Interrupt signals from NAND flash controllers

The interrupt from the MLC NAND Flash controller is masked with NAND_INT_E and ORed with the interrupt signal from the SLC NAND Flash controller before it goes to the interrupt controller. The connections of the interrupts of the MLC and SLC NAND Flash controllers are shown in [Figure 7-17](#).

3.2 DMA request signals from flash controllers

The dma_breq(0), dma_sreq(0), and dma_sreq(1) are ORed together and connected to the DMA controller as the burst request signal from the SLC Flash controller (DMA controller peripheral number 1). In order to be able to use a peripheral to peripheral DMA transfer to the SLC NAND Flash controller, this burst request signal is also connected to DMA controller peripheral number 12 when the SLC Flash controller is selected.

When the MLC NAND Flash controller is selected, the burst request signal from the MLC Flash controller is connected to DMA controller peripheral number 12.

The connections of the DMA signals of the MLC and SLC NAND Flash controllers are shown in [Figure 7-17](#).

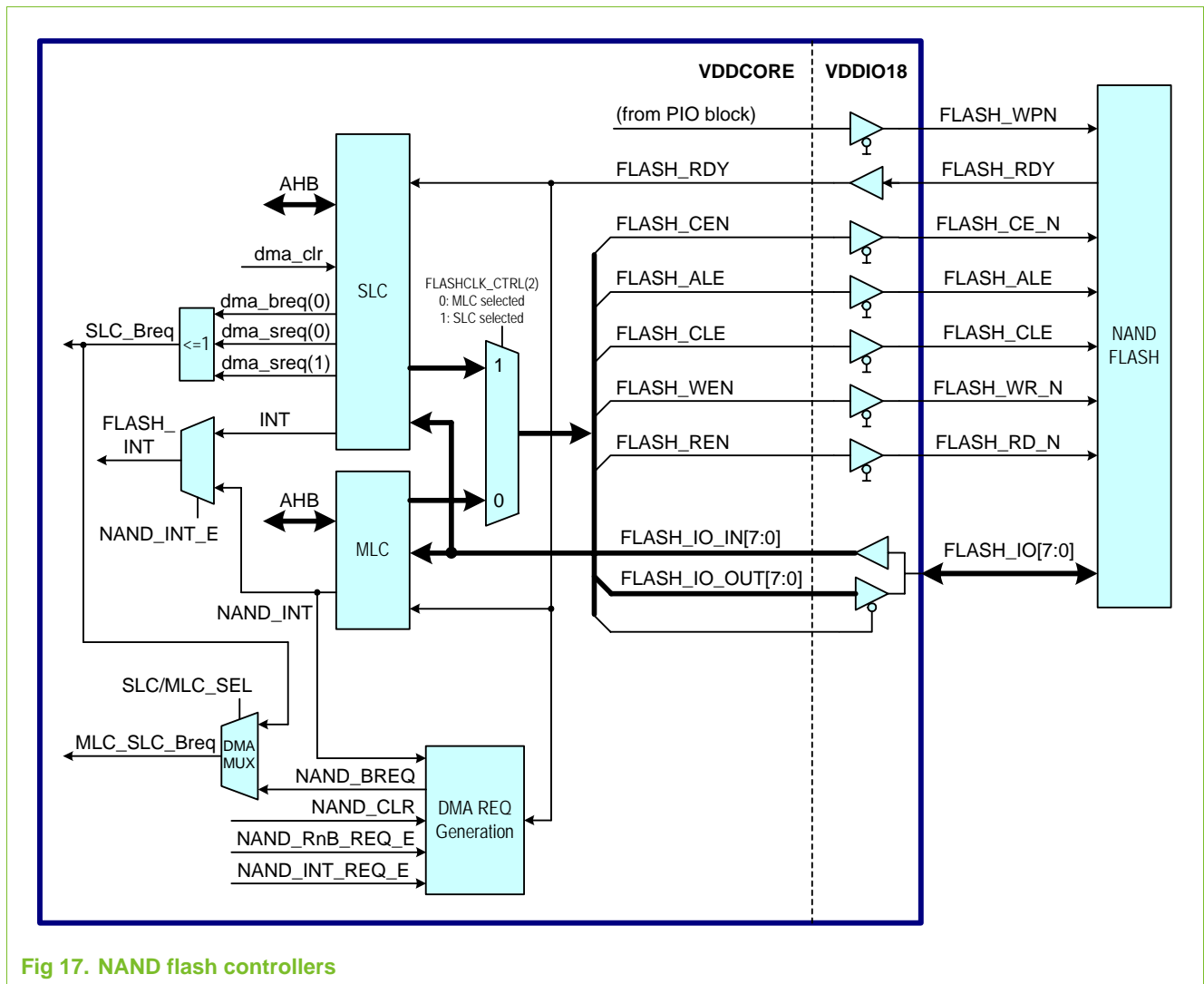
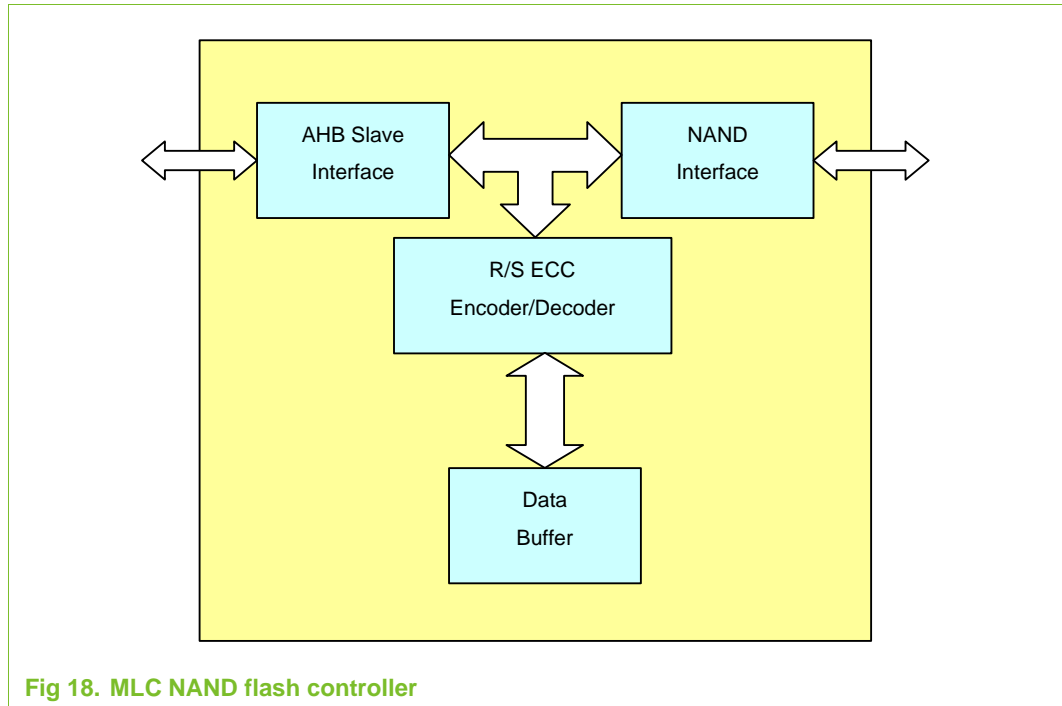


Fig 17. NAND flash controllers

4. MLC NAND flash controller functional description

Serial data transfers to/from the NAND flash can be performed directly by the CPU. The CPU can transfer data directly from the NAND flash while the controller simultaneously performs the R/S decoding. The CPU only needs to transfer data from the controller's Data Buffer when an error occurs. Since the expected error rate is small, this will result in minimal impact. Alternately, the CPU can force the controller to transfer the data to the serial Data Buffer where the CPU can then read it. The CPU can transfer data directly to the NAND flash while the controller simultaneously performs the R/S encoding to calculate the ECC codes. Alternately the CPU can write the data to controller's serial Data Buffer and then force the controller to independently transfer the data to the NAND flash. The transfer speed will be limited by either the NAND flash throughput or the system's AHB bus clock (HCLK).

The basic block diagram of the MLC NAND Flash controller is shown in [Figure 7-18](#).



4.1 Reed-Solomon encoder/decoder

The Reed-Solomon (R/S) encoder and decoder allow the controller to perform error detection and correction using redundant data stored in the overhead area of each page.

The R/S encoder and decoder use the combined User and Overhead area of each NAND flash page (528) bytes as the data stream. This data is converted to 10-bit symbols as required by the R/S algorithm. The R/S encoder generates 8 symbols (10 bytes) of redundant data (ECC codes). This data is stored along with 518 bytes of user data in each NAND flash page. The R/S decoder uses the redundant data (10 bytes) to perform error detection. If an error is detected, the controller attempts to perform correction. After correction is performed, the CPU can read the corrected data from the controller's serial Data Buffer.

Since the R/S algorithm requires a fixed length data stream, error detection/correction can only be performed in discrete blocks of data. This restricts data storage to a minimum size. This minimum size is the length of a standard 528-byte NAND flash page (518 bytes of user data).

The consequence of this restriction is that certain NAND functionality that involves partial page access cannot be supported by the controller while providing error detection and correction. For example, certain applications use the overhead area of each page to store management data. The NAND flash can then be scanned by merely reading the overhead area of each page. Since the R/S algorithm requires the entire data stream, this type of operation cannot be supported (this can, however, still be performed but without error detection and correction).

4.1.1 Large block NAND flash support

Large block NAND flash devices use 2112-by pages. This is four times the standard page size. The R/S Encoder/Decoder directly supports 518-byte pages only. In order to function with 2112-byte pages, these large pages are divided into four sections of equal length. Each section then contains the equivalent of a 528-byte page.

4.1.2 Erased page detection support

The R/S Decoder includes a feature to detect when all data in a page (528-bytes) is 0xFF. This indicates that the page has been erased. When this condition is detected, the decoder does not perform ECC processing and indicates to the CPU that no errors were detected. This feature prevents the R/S decoder from attempting to perform error correction processing on erased pages.

4.2 Serial data buffer

The serial Data Buffer is a 528-byte buffer primarily used by the R/S algorithm to perform error correction. Data can be transferred by the CPU directly to/from the serial Data Buffer. Access to the buffer, however, is restricted to sequential access. This is a consequence of the R/S algorithm requiring 10-bit code-words. Any data access to the buffer must undergo appropriate translation that allows sequential access only.

Any NAND serial data access is also performed on the serial Data Buffer by the controller. NAND serial data read accesses cause the data read from the NAND flash to be written to the Data Buffer by the controller. NAND serial data write accesses cause the data to be written to the Data Buffer as well as the NAND flash by the controller.

Data can be read directly from the serial Data Buffer. This is normally performed by the CPU when an error has been detected by the R/S decoder. The corrected data must be read by the CPU from the serial Data Buffer.

Data can be read from the NAND flash device to the Data Buffer by the controller without any CPU intervention.

Data can be written to the Data Buffer by the CPU without writing the data to the NAND flash. The controller can then independently write the data to the NAND flash.

4.3 Operation

Due to the addition of ECC error correction, certain changes to the NAND flash protocol are required in some instances. Also, certain commands and/or command sequences cannot be supported.

Because ECC error correction is performed over the entire usable page data (518 bytes), this data becomes the minimum size data block that can be transferred to/from the individual NAND flash pages. This restricts commands that can normally specify a page address to use 00h as the first byte of the address (A0-A7). Also commands such as Read Mode (2) 0x01 that are specifically used for partial page access cannot be used. Furthermore, any command sequences (such as 0x50+0x80) that perform partial page access cannot be used. Using these unsupported features will result in unexpected operation and/or loss of data.

The exception to some of these restrictions is the Read Mode (3) (0x50) command. This command can be used by the CPU when only the overhead data is required. In reality, the controller will translate the command to a Read Mode (1) (00h) command before sending to the NAND flash and therefore the time required to perform a page read and transfer of the entire 528 bytes to the controller will be incurred. The controller will read 528 bytes into the User and Overhead Buffer regions and automatically set the Buffer pointer to the Overhead region. The CPU can then read the overhead data directly from the controller's serial Data Buffer.

Note that due to the fact that the entire 528 bytes must be read by the controller, using this command might cause timing problems. The only advantage to using the Read Mode (3) command over the Read Mode (1) command is that the CPU need not read all 518 bytes. This transfer is instead performed by the controller at possibly a higher transfer rate. However, for CPUs with very high speed access to the controller, it may be advantageous to read all 518 bytes using the Read Mode (1) command if there is a possibility that the extra data may become useful at a later date.

From an operation point of view, the NAND programmer's model uses address spaces to communicate with the NAND flash. Commands and addresses are written to specific addresses (registers) within the controller's address space. Data is read/written from/to the NAND flash using unique address ranges that lie within the controller's address space.

4.3.1 Page format

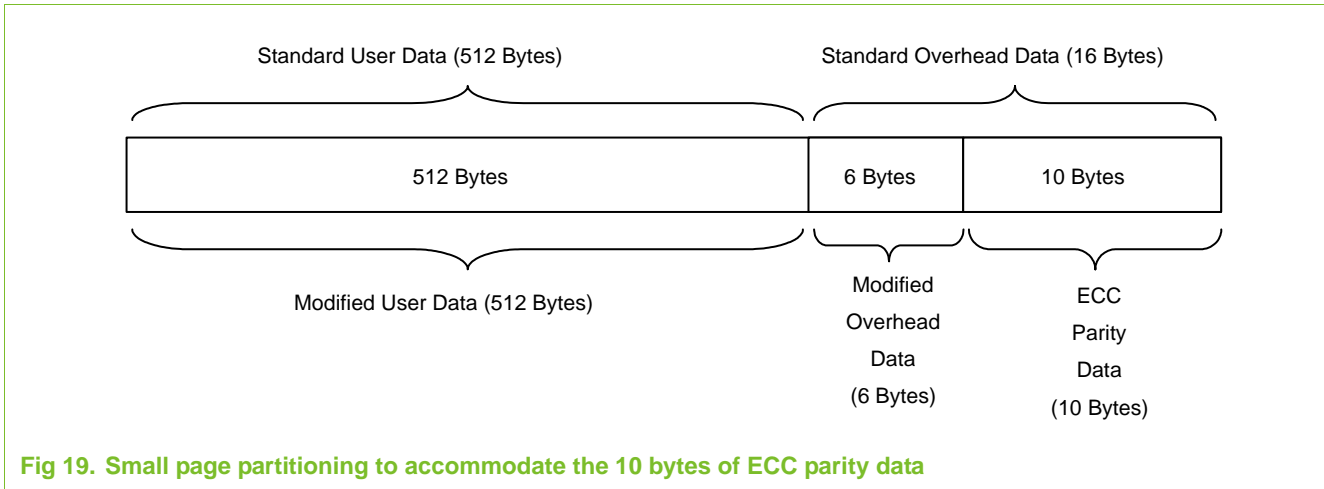
Standard NAND devices include two sections per page. The first section (User Data Area) is typically used to store general data. The second section (Overhead Data Area) is typically used to store overhead information such as status and ECC parity data. The controller requires 10 bytes of ECC parity data for the R/S ECC processing. The placement of this data differs between small and large block devices as describes in the following sections.

4.3.1.1 Small block NAND flash devices

For small block devices (528-byte page size) the user and overhead areas of each page (512 + 16 bytes) are combined to form a 528-byte area which is then divided into three sections:

1. User data.
2. Overhead data.
3. ECC Parity data.

[Figure 7–19](#) illustrates how each page is partitioned to accommodate the 10 bytes of ECC parity data. Note that the Overhead area available for CPU usage is deduced to 6 bytes such that the total CPU usable data is 518 bytes (512+6).



4.3.1.2 Large block NAND flash devices

For large block devices (2112-byte page size) the user and overhead areas of each page (2048 + 64 bytes) are combined to form a 2112-byte area which is then divided into four sections. Each of these sections is then further subdivided into three sections as follows:

1. User data.
2. Overhead data.
3. ECC Parity data.

[Figure 7–20](#) illustrates how each subsection is partitioned to accommodate the 10 bytes of ECC parity data. Note that the Overhead area available for CPU usage is 6 bytes such that the CPU usable data is 518 bytes (512+6) per section and 2072 bytes (4*518) per page.

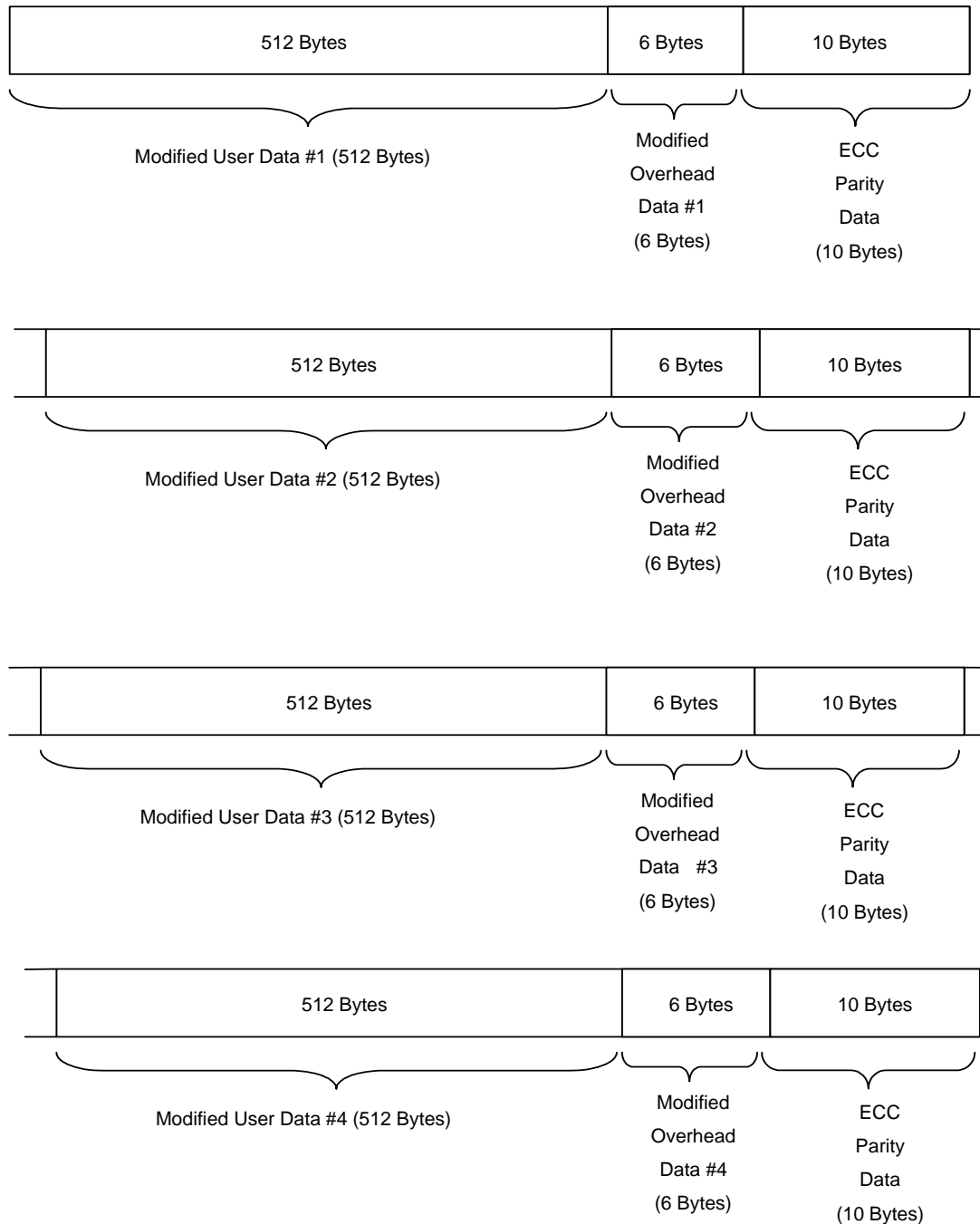


Fig 20. Large page partitioning to accommodate the 10 bytes of ECC parity data

4.3.2 Supported commands

Due to the addition of ECC error correction, certain changes to the NAND protocol are required in some instances. Also, certain commands and/or command sequences cannot be supported. [Table 7-81](#) lists all supported, unsupported, and supported-with-restrictions commands. Subsequent sections describe the restrictions for each restricted command.

Table 81. NAND flash commands

Command Name	First cycle	Second cycle	Supported
Serial Data Input	0x80	-	Restriction
Random Serial Data Input	0x85	-	No
Read Mode (1)	0x00	-	Restriction
Read Mode (2)	0x01	-	No
Read Mode (3)	0x50	-	Restriction
Read Start	0x30	-	Yes
Read Start With Data Cache	0x31	-	Yes
Read Start Page Copy	0x35	-	No
Read Start With Data Cache Last Page	0x3F	-	Yes
Reset	0xFF	-	Yes
Auto Program (true)	0x10	-	Restriction
Auto Program (dummy)	0x11	-	Restriction
Auto Program (cache)	0x15	-	Restriction
Auto Block Erase	0x60	0xD0	Yes
Status Read (1)	0x70	-	Yes
Status Read (2)	0x71	-	Yes
ID Read (1)	0x90	-	Yes
ID Read (2)	0x91	-	Yes

Command usage is restricted during NAND busy periods and also during controller busy periods. [Table 7–82](#) shows these restrictions.

Table 82. NAND flash commands

Command Name	NAND Busy Access	Controller busy Access
Serial Data Input	No	No
Random Serial Data Input	No	No
Read Mode (1)	No	No
Read Mode (2)	No	No
Read Mode (3)	No	No
Read Start	No	No
Read Start With Data Cache	No	No
Read Start Page Copy	No	No
Read Start With Data Cache Last Page	No	No
Reset	Yes	Yes
Auto Program (true)	No	No
Auto Program (dummy)	No	No
Auto Program (cache)	No	No
Auto Block Erase	No	No
Status Read (1)	Yes	No
Status Read (2)	Yes	No
ID Read (1)	No	No
ID Read (2)	No	No

4.3.2.1 Serial data input command

Operation with this command is subject to the following restrictions:

1. Address A0-A7 (A0-A11 for large block devices) must be 0x00.
2. 50h + 80h command sequence (partial page serial input) not allowed.
3. CPU transfers exactly 518 bytes/page.
4. Controller transfers exactly 10 bytes/page.

4.3.2.2 Read mode (1)

Operation with this command is subject the following restrictions:

1. Address A0-A7 (A0-A11 for large block devices) must be 0x00.
2. CPU transfers exactly 518/528 bytes/page.

4.3.2.3 Read mode (3)

Operation with this command is subject to the following restrictions:

1. Address A0-A7 (A0-A11 for large block devices) must be 00h.
2. CPU reads overhead data from controller's serial Data Buffer.

This command can be used by the CPU when only the overhead data in the NAND page is required. Since the entire page data is required to perform the R/S ECC processing, the controller will translate the command to a Read Mode (1) (00h) command before sending to the NAND flash and therefore the time required to perform a page read and transfer the entire 528 bytes to the controller will be incurred.

The controller will read 528 bytes into the controller's serial Data Buffer and automatically set the Buffer pointer to the Overhead region. The CPU can then read the overhead data directly from the controller's serial Data Buffer. The CPU can also read the 518-byte user data from the serial Data Buffer (the Reset User Buffer Pointer register must first be written).

Note that due to the fact that the entire 528 bytes must be read by the controller, using this command may not be prudent from a timing perspective. The only advantage to using the Read Mode(3) command over the Read Mode (1) command is that the CPU need not read all 518 bytes. This transfer is instead performed by the controller at a possibly higher transfer rate. However, for CPUs with high speed access to the controller, it may be prudent to read all 518 bytes using the Read Mode (1) command if there is a possibility that the extra data may become useful at a later date.

4.3.2.4 Auto program commands

These commands are supported only if they are used following the Serial Data Input (0x80) command sequence.

4.3.2.5 Status Read commands

Operation with the Status Read (1) (70h) and Status Read (2) (71h) commands is subject to the following restriction(s):

- 1) CPU must not use these commands unless the controller's controller Ready bit of the controller's Status register is set.

4.3.2.6 Software configurable block write protection

The software configurable block protection provides a mechanism for preventing Auto Program (0x10, 0x11, 0x15) and Erase Start (0xD0) commands from being forwarded from the controller to the NAND flash under certain conditions when requested by the CPU. The intent of this feature is to allow write protection of a software configurable section of the NAND flash. This feature is enabled by the CPU software. The software configurable block write protection address range is programmable by the CPU software. A lockout mechanism is provided to prevent rogue tasks from unintentionally modifying the software block protection configuration.

If the software block protection feature is enabled, the Auto Program (0x10, 0x11, 0x15) commands are blocked when any of the following conditions are true:

1. If the address (A9-A24) of the previous Serial Data Input (0x80) lies within the software block write protection address range.
2. If the previous command was not a Serial Data Input (0x80) command.
3. If the previous Serial Data Input (0x80) command was not followed by a complete address sequence.

For any of these conditions, a Reset (0xFF) command, if forwarded in lieu of the Auto Program command, will reset the NAND flash and effectively abort the operation.

If the software block protection feature is enabled, the Erase Start (0xD0) command is blocked when any of the following conditions are true:

1. If the address (A9-A24) of the previous Auto Block Erase (0x60) command lies within the software block write protection address range.
2. If the previous command was not a Auto Block Erase (0x60) command.
3. If the previous Auto Block Erase (0x60) command was not followed by a complete address sequence.

For any of these conditions, a Reset (0xFF) command, if forwarded in lieu of the Start Erase command, will reset the NAND flash and effectively abort the operation.

It is the CPU software's responsibility to detect and manage the Block Write Protection fault events. The CPU controller provides interrupt and status capabilities that allow the CPU software to be notified when a Block Write Protection fault occurs.

5. Register description

[Table 7–83](#) shows the registers associated with the MLC NAND Flash controller and a summary of their functions. Following the table are details for each register.

Table 83. MLC NAND flash registers

Address	Name	Description	Reset value	Access
0x200B 8000	MLC_CMD	MLC NAND Flash Command Register.	0x0	WO
0x200B 8004	MLC_ADDR	MLC NAND Flash Address Register.	0x0	WO
0x200B 8008	MLC_ECC_ENC_REG	MLC NAND ECC Encode Register.	0x0	WO
0x200B 800C	MLC_ECC_DEC_REG	MLC NAND ECC Decode Register.	0x0	WO
0x200B 8010	MLC_ECC_AUTO_ENC_REG	MLC NAND ECC Auto Encode Register.	0x0	WO

Table 83. MLC NAND flash registers

Address	Name	Description	Reset value	Access
0x200B 8014	MLC_ECC_AUTO_DEC_REG	MLC NAND ECC Auto Decode Register.	0x0	WO
0x200B 8018	MLC_RPR	MLC NAND Read Parity Register.	0x0	WO
0x200B 801C	MLC_WPR	MLC NAND Write Parity Register.	0x0	WO
0x200B 8020	MLC_RUBP	MLC NAND Reset User Buffer Pointer Register.	0x0	WO
0x200B 8024	MLC_ROBP	MLC NAND Reset Overhead Buffer Pointer Register.	0x0	WO
0x200B 8028	MLC_SW_WP_ADD_LOW	MLC NAND Software Write Protection Address Low Register.	0x0	WO
0x200B 802C	MLC_SW_WP_ADD_HIG	MLC NAND Software Write Protection Address High Register.	0x0	WO
0x200B 8030	MLC_ICR	MLC NAND controller Configuration Register.	0x0	WO
0x200B 8034	MLC_TIME_REG	MLC NAND Timing Register.	TBD	WO
0x200B 8038	MLC_IRQ_MR	MLC NAND Interrupt Mask Register.	0x0	WO
0x200B 803C	MLC_IRQ_SR	MLC NAND Interrupt Status Register.	0x0	RO
0x200B 8044	MLC_LOCK_PR	MLC NAND Lock Protection Register.	0x0	WO
0x200B 8048	MLC_ISR	MLC NAND Status Register.	0x0	RO
0x200B 804C	MLC_CEH	MLC NAND Chip-Enable Host Control Register.	0x0	WO

5.1 MLC NAND flash Command register (MLC_CMD, RW - 0x200B 8000)

The Command register is an 8-bit write only register used to send commands to the NAND flash (CLE asserted). The software must write all commands to this register. Commands written to the register will be written to the NAND flash with the following exceptions:

1. Read Mode (3) 0x50 (substituted with Read Mode (1) 0x00)
2. Commands blocked by the Software write protection features (if enabled).
3. Commands written while the controller is not ready (except the Reset (0xFF) command which resets the controller).

Note that the normal NAND protocol rules regarding busy access apply when writing commands to this register. The software should access the controller's Status register to determine if commands can be sent to the NAND flash. Commands should not be sent if either the controller Ready or NAND Ready bits of the controller's Status register are not set. The exception is the Reset (0xFF) command which forces both the NAND flash and the controller to abort the current operation. Commands written to this register are forwarded to the NAND flash by the controller. These commands may cause unexpected operation and/or loss of data if the NAND flash is not ready.

Table 84. MLC NAND Flash Command Register (MLC_CMD, RW - 0x200B 8000)

Bits	Description	Reset value
7:0	Command Code	0x0

5.2 MLC NAND flash Address register (MLC_ADDR, WO - 0x200B 8004)

The address register is used to send address data to the NAND flash (ALE asserted). Data written to this register will be written to the NAND flash with the following exceptions:

1. Data written while controller is not ready is discarded.

Addresses written to this register are forwarded to the NAND flash by the controller. This may cause unexpected operation and/or loss of data if the NAND flash is not ready.

Table 85. MLC NAND Flash Address Register (MLC_ADDR, WO - 0x200B 8004)

Bits	Description	Reset value
7:0	Address	0x0

5.3 MLC NAND ECC Encode Register (MLC_ECC_ENC_REG, WO - 0x200B 8008)

Writing to this register starts a data encode cycle. Any data written to the NAND data address space or the controller's serial Data Buffer space thereafter is encoded by the R/S ECC encoder. Writing to this register will terminate any ongoing encode or decode cycle in order to begin the new encode cycle. Note that it is the CPU's responsibility to ensure that this register is written to prior to sending any page data if error detection/correction is desired. Writing to this register clears the following flags in the controller's Status register:

1. ECC Ready.
2. Errors Detected.
3. Decoder Failure.

Table 86. MLC NAND ECC Encode Register (MLC_ECC_ENC_REG, WO - 0x200B 8008)

Bits	Description	Reset value
7:0	Writing to this register starts a data encode cycle.	0x0

5.4 MLC NAND ECC Decode Register (MLC_ECC_DEC_REG, WO - 0x200B 800C)

Writing any data to this register starts a data decode cycle. Any data read from the NAND data address space thereafter is decoded by the R/S ECC decoder. Writing to this register will terminate any ongoing encode or decode cycle in order to begin the new decode cycle. Note that it is the CPU's responsibility to ensure that this register is written to prior to reading any page data if error detection/correction for that page is desired. Writing to this register clears the following flags in the controller's Status register:

1. ECC Ready.
2. Errors Detected.
3. Decoder Failure.

Table 87. MLC NAND ECC Decode Register (MLC_ECC_DEC_REG, WO - 0x200B 800C)

Bits	Description	Reset value
7:0	Writing to this register starts a data decode cycle.	0x0

5.5 MLC NAND ECC Auto Encode Register (MLC_ECC_AUTO_ENC_REG, WO - 0x200B 8010)

Writing this register starts an automatic encode cycle. The controller automatically sends 528 bytes to the NAND flash after performing the R/S ECC encoding to the data in the controller's serial Data Buffer. The CPU must first write the Encode register and then write 518 bytes of data to the controller's serial Data Buffer. If the CPU requires the controller to automatically send the Auto-Program command to the NAND flash after sending the parity data, then the CPU should write the desired Auto-Program command (0x10, 0x11, 0x15) to this register. This operation is validated with bit 8 of the register. The controller sends the Auto-program command to the NAND flash after sending the parity data. The controller will then wait for the NAND flash's Ready/nBusy signal (indicating that the NAND flash has completed the Auto-program operation) before indicating the controller Ready status and interrupt update. Note that the CPU must allow the controller to complete the cycle. The CPU should read the controller's Status register to determine the completion of the cycle (or use the interrupt feature of the controller). Any commands and/or data sent to the NAND flash during this time are discarded by the controller (except the Reset (0xFF) command). Writing to this register will terminate any ongoing encode or decode cycle in order to begin the new encode cycle. Writing the Reset (0xFF) command to the Command register will terminate the ongoing cycle.

The intended operation using this register without the automatic Auto-program command is as follows:

1. Write Serial Input command (80h) to Command register.
2. Write page address data to Address register.
3. Write Start Encode register.
4. Write 518 bytes to serial Data Buffer.
5. Write Auto Encode register with Bit 8=0.
6. Read Status register.¹
7. Wait for controller Ready status bit set.
8. Write Auto-program command.

The intended operation using this register with the automatic Auto-program command is as follows:

1. Write Serial Input command (0x80) to Command register.
2. Write page address data to Address register.
3. Write Start Encode register.
4. Write 518 bytes to serial Data Buffer.
5. Write Auto Encode register with Auto-Program command, Bit 8=1.
6. Read Status register.¹
7. Wait controller Ready status bit set.

Note that the Reset (0xFF) command may be written to the command register at any time during the above sequence to reset both the controller and the NAND flash.

1. The controller will generate an controller Ready interrupt (if enabled). Failure to follow the above sequences may result in unexpected behavior and/or loss of data.

Table 88. MLC NAND ECC Auto Encode Register (MLC_ECC_AUTO_ENC_REG, WO - 0x200B 8010)

Bits	Description	Reset value
31:9	Reserved.	0x0
8	0: Auto-program command disabled. 1: Auto-program command enabled.	0
7:0	Auto-program command.	0x0

5.6 MLC NAND ECC Auto Decode Register (MLC_ECC_AUTO_DEC_REG, WO - 0x200B 8014)

Writing this register starts an automatic decode cycle. The controller automatically reads 528 bytes from the NAND flash and performs the R/S ECC decoding. The CPU can then retrieve the data from the controller's serial Data Buffer after reading the error status and severity from the controller's Status register. The Data Buffer pointer is automatically set to the overhead region if the last command was Read Mode(3) (0x50), otherwise the pointer is set to the user region of the serial Data Buffer. The Reset User Buffer Pointer and Reset Overhead Buffer Pointer registers can be used to re-position the Buffer pointer to the desired region. Note that the CPU must allow the controller to complete the cycle. The CPU should read the controller's Status register to determine the completion of the cycle (or use the interrupt feature of the controller). Any commands and/or data sent to the NAND flash during this time are discarded by the controller (except the Reset (0xFF) command). Writing to this register will terminate any ongoing encode or decode cycle in order to begin the new decode cycle. Writing the Reset (0xFF) command to the Command register will terminate the ongoing cycle. Note that it is the CPU's responsibility to perform the necessary NAND read operation. The intended operation using this register is as follows:

1. CPU sends Read Mode(1)/Read Mode(3) command to NAND flash.
2. CPU sends appropriate address data for the desired page.
3. CPU writes to Auto Decode register.
4. CPU reads Status register until the controller Ready flag is set.²
5. CPU reads Status register to determine error status/severity.³
6. CPU reads page data from the controller's Data Buffer.

Failure to follow this sequence may result in unexpected behavior and/or loss of data.

Note that the Reset (0xFF) command may be written to the command register at any time during the above sequence to reset both the controller and the NAND flash.

Table 89. MLC NAND ECC Auto Decode Register (MLC_ECC_AUTO_DEC_REG, WO - 0x200B 8014)

Bits	Description	Reset value
7:0	Writing any data to this register starts an automatic decode cycle.	0x0

2. The controller will generate an controller Ready interrupt (if enabled).

3. The controller will generate an Error Detected or Decoder Failure interrupt (if enabled).

5.7 MLC NAND Read Parity Register (MLC_RPR, WO - 0x200B 8018)

Writing any data to this register forces the controller to read 10 bytes from the NAND flash device. This data is the parity data used by the R/S ECC decoder. This feature is useful if the CPU has no use for this data and can therefore allow the controller to automatically read it with no CPU intervention. This feature is intended to be used after the CPU has started a decode cycle and read all user data (518 bytes) from the NAND device. Accessing this register will then force the controller to read the parity data (10-bytes) required to complete the ECC decode cycle. Note that the use of this register is optional. The CPU itself can read the parity data directly. Note that the CPU must allow the controller to complete the read sequence. The CPU should read the controller's Status register to determine the completion of the sequence (or use the interrupt feature of the controller). Any commands and/or data sent to the NAND during this time are discarded by the controller.

Table 90. MLC NAND Read Parity Register (MLC_RPR, WO - 0x200B 8018)

Bits	Description	Reset value
7:0	Writing any data to this register force the controller to read 10 byte parity data from the NAND flash device.	0x0

5.8 MLC NAND Write Parity Register (MLC_WPR, WO - 0x200B 801C)

Writing any data to this register forces the controller to write the parity data (10 bytes) to the NAND device. This data is the parity data calculated by the R/S ECC encoder. This feature is intended to be used after the CPU has started an encode cycle and written all user data (518 bytes) to the NAND flash device. Accessing this register will then force the controller to write the parity data (10-bytes) as calculated by the R/S ECC encoder. The CPU should read the controller's Status register to determine the completion of the sequence (or use the interrupt feature of the controller). Any commands and/or data sent to the NAND during this time are discarded by the controller.

Table 91. MLC NAND Write Parity Register (MLC_WPR, WO - 0x200B 801C)

Bits	Description	Reset value
7:0	Writing any data to this register force the controller to write 10 byte parity data to the NAND flash device.	0x0

5.9 MLC NAND Reset User Buffer Pointer register (MLC_RUBP, WO - 0x200B 8020)

The Reset User Buffer Pointer register is a write only register used to force the serial Data Buffer pointer to the start of the user data region. Access to this buffer is sequential such that if the CPU must start reading data at the beginning of this buffer, this register must be written with any value.

Table 92. MLC NAND Reset User Buffer Pointer Register (MLC_RUBP, WO - 0x200B 8020)

Bits	Description	Reset value
7:0	Writing any data to this register force the serial Data Buffer pointer to the start of the user data region.	0x0

5.10 MLC NAND Reset Overhead Buffer Pointer register (MLC_ROBP, WO - 0x200B 8024)

The Reset User Buffer pointer register is a write only register used to force the serial Data Buffer pointer to the start of the overhead data region. Access to this buffer is sequential such that if the CPU must start reading overhead data, this register must be written with any value.

Table 93. MLC NAND Reset Overhead Buffer Pointer Register (MLC_ROBP, WO - 0x200B 8024)

Bits	Description	Reset value
0	Writing any data to this register force the serial Data Buffer pointer to THE start of the overhead data region.	0x0

5.11 MLC NAND Software Write Protection Address Low register (MLC_SW_WP_ADD_LOW, WO - 0x200B 8028)

The Software Write Protection address registers are 24-bit write only registers. They are used to store the address range used for the software write protect feature. The address low register contains the lower bound for the write protected area. The address high register contains the upper bound for the write protected area. These registers are compared with address bytes 2,3,4 (2,3 for three byte address devices) that follow the Serial Data input (0x80) and Auto Block Erase command (0x60). If this address falls within the address range specified by the registers then the Reset (0xFF) command is sent to the NAND device in lieu of the Auto Program (0x10, 0x11, 0x15) or the Auto Block Erase Second Cycle (0xD0) sent by the host. This will effectively abort the operation.

Note that in order to modify these registers, the Lock Protect register must first be written with the appropriate value.

Table 94. MLC NAND Software Write Protection Address Low Register (MLC_SW_WP_ADD_LOW, WO - 0x200B 8028)

Bits	Description	Reset value
23:0	The lower bound for the write protected area.	0x0

5.12 MLC NAND Software Write Protection Address High register (MLC_SW_WP_ADD_HIG, WO - 0x200B 802C)

Table 95. MLC NAND Software Write Protection Address High Register (MLC_SW_WP_ADD_HIG, WO - 0x200B 802C)

Bits	Description	Reset value
23:0	The upper bound for the write protected area.	0x0

5.13 MLC NAND Controller Configuration register (MLC_ICR, WO - 0x200B 8030)

This register is used to configure the controller as shown below. Note that in order to modify this register, the Lock Protect register must first be written with the appropriate value.

Table 96. MLC NAND Controller Configuration Register (MLC_ICR, WO - 0x200B 8030)

Bits	Description	Reset value
31:4	Reserved	0x0
3	0: Software Write protection disabled. 1: Software Write protection enabled.	0
2	0: small block flash device (512 +16 byte pages). 1: large block flash device (2k + 64 byte pages).	0
1	0: NAND flash address word count 3. 1: NAND flash address word count 4.	0
0	0: NAND flash I/O bus with 8-bit. 1: NAND flash I/O bus with 16-bit (Not supported).	0

5.14 MLC NAND Timing Register (MLC_TIME_REG, WO - 0x200B 8034)

These values should be configured to match the NAND device timing requirements. Note that in order to modify this register, the Lock Protect register must first be written with the appropriate value.

Table 97. MLC NAND Timing Register MLC_TIME_REG, (WO - 0x200B 8034)

Bits	Description	Reset value
31:26	Reserved	0x0
25:24	TCEA_DELAY nCE low to dout valid (tCEA).	
23:19	BUSY_DELAY Read/Write high to busy (tWB/tRB).	
18:16	NAND_TA Read high to high impedance (tRHZ).	
12:15	RD_HIGH Read high hold time (tREH)	
11:8	RD_LOW Read pulse width (tRP)	
7:4	WR_HIGH Write high hold time (tWH)	
3:0	WR_LOW Write pulse width (tWP)	0x0

5.15 MLC NAND Interrupt Mask Register (MLC_IRQ_MR, WO - 0x200B 8038)

Setting each bit in this register enables the corresponding interrupt. At reset, all interrupts are masked. Each mask bit is logically ANDed with the corresponding interrupt and the results from all the interrupts are logically ORed to create the controller's interrupt signal.

Table 98. MLC NAND Interrupt Mask Register (MLC_IRQ_MR, WO - 0x200B 8038)

Bits	Description	Reset value
7:6	Reserved.	0x0
5	NAND Ready (0: Disabled, 1: Enabled) This interrupt occurs when the NAND flash's Ready/nBusy signal transitions from the Busy state to the Ready state. This interrupt is delayed by the NAND flash's tWB/tRB parameters.	0
4	Controller Ready (0: Disabled, 1: Enabled) This interrupt indicates that the controller has completed one of the following actions: 1) Parity read complete 2) Parity write complete 3) Auto decode complete 4) Auto encode complete	0
3	Decode failure (0: Disabled, 1: Enabled) This interrupt indicates that the R/S ECC decoder has detected errors present in the last decode cycle that cannot be properly corrected (this indicates that the severity of the error exceeds the correction capability of the decoder).	0
2	Decode error detected (0: Disabled, 1: Enabled) This interrupt indicates that the R/S ECC decoder has detected (and possibly corrected) errors present in the last decode cycle. The CPU should read the controller's Status register to determine the severity of the error. The CPU should also discard the data and read the corrected data from the controller's serial Data Buffer.	0
1	ECC Encode/Decode ready (0: Disabled, 1: Enabled) This interrupt indicates that the ECC Encoder or Decoder has completed the encoding or decoding process. For an encode cycle this interrupt occurs after the following actions: 1) Host begins encoding cycle by accessing the ECC Encode register, 2) Host writes 518 bytes of NAND data, and 3) R/S ECC encoding completes. For a decode cycle this interrupt occurs after the following actions: 1) Host begins decoding cycle by accessing the ECC Decode register, 2) Host reads 518/528 bytes of NAND data, and 3) R/S ECC decoding completes.	0
0	Software write protection fault (0: Disabled, 1: Enabled) This interrupt indicates that the last NAND write operation was aborted due to a write protection fault. This interrupt can occur after the Erase Start (0x60) command or any Auto Program (0x10, 0x11, 0x15) command is written to the NAND after the previous address data following the Serial Input (0x80) or Auto Erase (0x60) commands falls within the software protection address range and software write protection is enabled.	0

5.16 MLC NAND Interrupt Status Register (MLC_IRQ_SR, RO - 0x200 803C)

The interrupt status register is used for polling interrupt source information. A set bit indicates that the corresponding interrupt has occurred. The entire register contents are cleared once the register is read such that there is no need to clear this register to reset the interrupts. Note that this registers reflects the interrupts regardless of the Interrupt Mask register. Each interrupt bit is logically ANDed with the corresponding interrupt mask bit and the results from all the interrupts are logically ORed to create the controller's interrupt signal.

Table 99. MLC NAND Interrupt Status Register (MLC_IRQ_SR, RO - 0x200B 803C)

Bits	Description	Reset value
7:6	Reserved.	0x0
5	NAND Ready (0: Inactive, 1: Active) This interrupt occurs when the NAND flash's Ready/nBusy signal transitions from the Busy state to the Ready state. This interrupt is delayed by the NAND flash's tWB/tRB parameters.	0
4	controller Ready (0: Inactive, 1: Active) This interrupt indicates that the controller has completed one of the following actions: 1) Parity read complete 2) Parity write complete 3) Auto decode complete 4) Auto encode complete	0
3	Decode failure (0: Inactive, 1: Active) This interrupt indicates that the R/S ECC decoder has detected errors present in the last decode cycle that cannot be properly corrected (this indicates that the severity of the error exceeds the correction capability of the decoder).	0
2	Decode error detected (0: Inactive, 1: Active) This interrupt indicates that the R/S ECC decoder has detected (and possibly corrected) errors present in the last decode cycle. The CPU should read the controller's Status register to determine the severity of the error. The CPU should also discard the data and read the corrected data from the controller's serial Data Buffer.	0
1	ECC Encode/Decode ready (0: Inactive, 1: Active) This interrupt indicates that the ECC Encoder or Decoder has completed the encoding or decoding process. For an encode cycle this interrupt occurs after the following actions: 1) Host begins encoding cycle by accessing the ECC Encode register, 2) Host writes 518 bytes of NAND data, and 3) R/S ECC encoding completes. For a decode cycle this interrupt occurs after the following actions: 1) Host begins decoding cycle by accessing the ECC Decode register, 2) Host reads 518/528 bytes of NAND data, and 3) R/S ECC decoding completes.	0
0	Software write protection fault (0: Inactive, 1: Active) This interrupt indicates that the last NAND write operation was aborted due to a write protection fault. This interrupt can occur after the Erase Start (0x60) command or any Auto Program (0x10, 0x11, 0x15) command is written to the NAND after the previous address data following the Serial Input (0x80) or Auto Erase (0x60) commands falls within the software protection address range and software write protection is enabled.	0

5.17 MLC NAND Lock Protection Register (MLC_LOCK_PR, WO - 0x200B 8044)

The Lock Protect register is used to provide a lockout feature to prevent certain registers from being inadvertently written. Writing a value of 0xA25E to this register unlocks the access to these registers. Access becomes locked immediately after any of these registers are accessed. The registers affected by this feature are:

1. Software Write Protection Address Low.
2. Software Write Protection Address High.
3. Controller configuration.
4. NAND Timing.

Table 100. MLC NAND Lock Protection Register (MLC_LOCK_PR, WO - 0x200B 8044)

Bits	Description	Reset value
15:0	Writing a value of 0xA25E to this register unlocks the access to, MLC_SW_WP_ADD_LOW, MLC_SW_WP_ADD_HIG, MLC_ICR, MLC_WP_REG and MLC_TIME_REG. Access becomes locked immediately after any of these registers are accessed.	0x0

5.18 MLC NAND Status Register (MLC_ISR, RO - 0x200B 8048)

The Status register indicates the status of the last R/S ECC encode/decode cycle as well as the status of the Ready/nBusy NAND flash signal.

Table 101. MLC NAND Status Register (MLC_ISR, RO - 0x200B 8048)

Bits	Description	Reset value
7	Reserved	0x0
6	Decoder Failure This flag indicates that the last R/S Decoding cycle was unsuccessful at correcting errors present in the data. This indicates that the number of errors in the data exceeds the decoder's correction ability (more than 4 symbols). The host should inspect this flag prior to validating the data read during the last decoding cycle.	0
5:4	Number of R/S symbols errors This 2-bit field indicates the number of symbol errors detected by the last R/S decoding cycle. Note that this field is only valid when both the following conditions are met: 1) Errors Detected flag is set and 2) Decoder Failure flag is clear. 00: One symbol-error detected. 01: Two symbol-error detected. 10: Three symbol-error detected. 11: Four symbol-error detected.	0
3	ERRORS DETECTED This flag indicates that the last R/S Decode cycle has detected errors in the page data. This flag does not indicate error severity but merely indicates that errors have been detected.	0

Table 101. MLC NAND Status Register (MLC_ISR, RO - 0x200B 8048)

Bits	Description	Reset value
2	ECC READY This flag indicates the R/S ECC encoding/decoding process has been completed. The Host must check this flag prior to using data read during a decode cycle. The CPU can also check the status of an encode cycle prior to accessing the Write Parity register (this is not necessary since the controller ensures that the R/S encoding has completed before writing any data).	0
1	Controller READY This flag indicates that the controller has completed any of the following: 1) Read parity cycle, 2) Write parity cycle, 3) Auto Encode cycle and 4) Auto Decode cycle. The flag is cleared when any of the above operations are started. The flag must be checked by the CPU prior to attempting an access to the corresponding NAND flash device. Failure to perform the check may result in unexpected operation and/or data loss.	0
0	NAND READY This flag reflects the status of the NAND flash's Ready/nBusy signal. Note that the CPU need not consider the NAND flash's tWB, tRB timing parameters. The controller delays the update of the NAND ready flag when data, address, or commands are sent to the NAND flash. This ensures that the NAND ready flag remains clear until the tWB, tRB time has passed and the true status of the NAND flash's Ready/nBusy signal can be reported.	0

5.19 MLC NAND Chip-Enable Host Control register (MLC_CEH, WO - 0x200B 804C)

This register allows the CPU to force the NAND flash's Chip-Enable control signal (nCE) to remain asserted. This type of operation allows the use of NAND flash devices that require nCE to remain asserted throughout transfers (devices that do not support "CE don't care" operation). When this type of operation is required, the CPU must first write to this register to assert nCE prior to performing any transfers (including controller initiated transfers). The CPU can then perform the required transfers. For power consumption reasons, the host should then allow nCE to be de-asserted when the required transfers are complete. To allow nCE to be de-asserted, the host must again write to this register. Note that nCE may not be de-asserted immediately, but instead, nCE operation will revert back to normal operation, ensuring that nCE is de-asserted by the controller.

Table 102. MLC NAND Chip-Enable Host Control Register (MLC_CEH, WO - 0x200B 804C)

Bits	Description	Reset value
31:1	Reserved	0x0
0	0: Force nCE assert 1: Normal nCE operation (nCE controlled by controller)	0x0

6. MLC NAND controller usage

This section shows examples of the command sequences and the controller interactions necessary to perform the typical NAND page read and write operations.

6.1 Small block page read operation

The typical NAND page read operation involves the following steps performed by the CPU:

1. Write page read command.
2. Write page address data.
3. Wait until NAND device indicates ready.
4. Read page data.

This sequence must be modified as described in the following sections

6.1.1 Read Mode (1)

To perform a page read operation using the Read Mode (1) (00h) command, the CPU can choose two methods. The first is referred to as Normal Decode and the second as Automatic Decode. The difference in these methods is that in the Normal Decode operation the data is transferred directly from the NAND to the CPU as requested by the CPU. This data, however, may contain errors. The CPU must therefore check the controller before making use of the data (by reading the controller's Status register). If the controller indicates that the data contains errors as determined by the R/S ECC processing, the CPU must discard the data and retrieve the error free data from the controller's serial Data Buffer.

In the Auto Decode operation, the CPU forces the controller to read the NAND data into its Data Buffer first. The CPU then reads the error free data from the controller's serial Data Buffer. If the error occurrence is expected to be low, then the Normal Decode operation can yield higher performance.

Normal decode

1. Write Read Mode (1) command (0x00) to Command register.
2. Write address data to Address register.
3. Read controller's Status register.
4. Wait until NAND Ready status bit set.
5. Write Start Decode register.
6. Read 518 NAND data bytes.
7. Write Read Parity register.
8. Read Status register.⁴
9. Wait until ECC Ready status bit set.
10. Check error detection/correction status.⁵
11. If error was detected, read 518/528 bytes from serial Data Buffer.

Step 7 may be omitted if 528 bytes are read in step 6 rather than 518 bytes.

Auto decode

1. Write Read Mode (1) command (0x00) to Command register

4. The controller will generate an ECC Ready interrupt (if enabled).

5. The controller will generate an Error Detected or Decoder Failure interrupt (if enabled).

2. Write address data to Address register.
3. Write Start Auto Decode register.
4. Read Status Register.⁶
5. Wait until controller Ready status bit set.
6. Check error detection/correction status.⁷
7. Read 518/528 bytes from the serial Data Buffer.

6.1.2 Read Mode (3)

To perform a page read operation using the Read Mode (3) command, the CPU must perform the following steps:

1. Write Read Mode (3) command (0x50) to Command register.
2. Write address data to Address register.
3. Write Start Auto Decode Register.
4. Read Status register.⁸
5. Wait until controller Ready status bit set.
6. Check error detection/correction status.⁹
7. Read 6/16 bytes from the serial Data Buffer.

Note that the CPU writes a Read Mode (3) command but the controller automatically substitutes this command with a Read Mode (0) command. This is necessary because the entire page data is necessary for the R/S ECC processing.

6.2 Large block page read operation

The typical NAND page read operation involves the following steps performed by the CPU:

1. Write page read command.
2. Write page address data.
3. Wait until NAND device indicates ready.
4. Read page data.

This sequence must be modified as described in the following sections.

6.2.1 Read Mode (1)

To perform a page read operation of a large block flash device using the Read Mode (1) (0x00) command, the CPU follows a procedure similar to that of the small block flash device. The difference is that the CPU must perform four decode cycles to read the entire page data.

6. The controller will generate an controller Ready interrupt (if enabled).
7. The controller will generate an Error Detected or Decoder Failure interrupt (if enabled).
8. The controller will generate an controller Ready interrupt (if enabled).
9. The controller will generate an Error Detected or Decoder Failure interrupt (if enabled).

Normal decode

1. Write Read Mode (1) command (0x00) to Command register.
2. Write Read Start command (0x30) to Command register.
3. Write address data to Address register.
4. Read controller's Status register.
5. Wait until NAND Ready status bit set.
6. Write Start Decode register.
7. Read 518 NAND data bytes.
8. Write Read Parity register.
9. Read Status register.¹⁰
10. Wait until ECC Ready status bit set.
11. Check error detection/correction status.¹¹
12. If error was detected, read 518/528 bytes from serial Data Buffer.
13. Repeat steps 6 to 12 for 2nd quarter page.
14. Repeat steps 6 to 12 for 3rd quarter page.
15. Repeat steps 6 to 12 for 4th quarter page.

Step 7 may be omitted if 528 bytes are read in step 6 rather than 518 bytes.

Auto decode

1. Write Read Mode (1) command (0x00) to Command register.
2. Write Read Start command (0x30h) to Command register.
3. Write address data to Address register.
4. Write Start Auto Decode register.
5. Read Status Register.¹²
6. Wait for controller Ready status bit set.
7. Check error detection/correction status.¹³
8. Read 518/528 bytes from the serial Data Buffer.
9. Repeat 4-8 for 2nd quarter page.
10. Repeat 4-8 for 3rd quarter page.
11. Repeat 4-8 for 4th quarter page.

6.2.2 Read Mode (3)

To perform a page read operation using the Read Mode (3) command, the CPU must perform the following steps:

1. Write Read Mode (3) command (0x50) to Command register.
2. Write address data to Address register.

10. The controller will generate an ECC Ready interrupt (if enabled).

11. The controller will generate an Error Detected or Decoder Failure interrupt (if enabled).

12. The controller will generate an controller Ready interrupt (if enabled).

13. The controller will generate an Error Detected or Decoder Failure interrupt (if enabled)

3. Write Start Auto Decode Register.
4. Read Status register.¹⁴
5. Wait controller Ready status bit set.
6. Check error detection/correction status.¹⁵
7. Read 6/16 bytes from the serial Data Buffer.
8. Repeat 3 to 7 for 2nd quarter of overhead data.
9. Repeat 3 to 7 for 3rd quarter of overhead data.
10. Repeat 3 to 7 for 4th quarter of overhead data.

Note that the CPU writes a Read Mode (3) command but the controller automatically substitutes this command with a Read Mode (0) command. This is necessary because the entire page data is necessary for the R/S ECC processing.

6.3 Small block page write operation

The typical NAND page write operation involves the following steps performed by the CPU:

1. Write serial input command.
2. Write page address data.
3. Write page data.
4. Write Auto Program command.

Normal encode

The sequence must be modified follows:

1. Write Serial Input command (0x80) to Command register.
2. Write page address data to Address register.
3. Write Start Encode register.
4. Write 518 bytes of NAND data.
5. Write MLC NAND Write Parity register.
6. Read Status register.¹⁶
7. Wait controller Ready status bit set.
8. Write Auto Program command to Command register.

Auto encode

The sequence must be modified follows:

1. Write Serial Input command (0x80) to Command register.
2. Write page address data to Address register.
3. Write Start Encode register.
4. Write 518 bytes to serial Data Buffer.

14. The controller will generate an controller Ready interrupt (if enabled).

15. The controller will generate an Error Detected or Decoder Failure interrupt (if enabled).

16. The controller will generate an controller Ready interrupt (if enabled).

5. Write Auto Encode register with Bit 8 = 0.
6. Read Status register.¹⁷
7. Wait controller Ready status bit set.
8. Write Auto Program command to Command register.

Alternately, if the CPU requires the controller to automatically send the Auto-Program command to the NAND flash after sending the parity data the sequence must be modified follows:

1. Write Serial Input command (0x80) to Command register.
2. Write page address data to Address register.
3. Write Start Encode register.
4. Write 518 bytes to serial Data Buffer.
5. Write Auto Encode register with Auto-Program command, Bit 8 = 1.
6. Read Status register.¹⁷
7. Wait controller Ready status bit set.

6.4 Large block page write operation

The typical NAND page write operation involves the following steps performed by the CPU:

1. Write serial input command.
2. Write page address data.
3. Write page data.
4. Write Auto Program command.

Normal encode

The sequence must be modified follows:

1. Write Serial Input command (0x80) to Command register.
2. Write page address data to Address register.
3. Write Start Encode register.
4. Write 518 bytes of NAND data.
5. Write MLC NAND Write Parity register.
6. Read Status register.¹⁸
7. Wait controller Ready status bit set.
8. Repeat 3 to 7 for 2nd quarter page.
9. Repeat 3 to 7 for 3rd quarter page.
10. Repeat 3 to 7 for 4th quarter page.
11. Write Auto Program command to Command register.

17. The controller will generate an controller Ready interrupt (if enabled).

18. The controller will generate an controller Ready interrupt (if enabled).

Auto encode

The sequence must be modified follows:

1. Write Serial Input command (0x80) to Command register.
2. Write page address data to Address register.
3. Write Start Encode register.
4. Write 518 bytes to serial Data Buffer.
5. Write Auto Encode register with Bit 8 = 0.
6. Read Status register.¹⁹
7. Wait controller Ready status bit set.
8. Repeat 3 to 7 for 2nd quarter page
9. Repeat 3 to 7 for 3rd quarter page
10. Repeat 3 to 7 for 4th quarter page
11. Write Auto Program command to Command register.

Alternately, if the CPU requires the controller to automatically send the Auto-Program command to the NAND flash after sending the parity data the sequence must be modified follows:

1. Write Serial Input command (0x80) to Command register.
2. Write page address data to Address register.
3. Write Start Encode register.
4. Write 518 bytes to serial Data Buffer (first quarter page).
5. Write Auto Encode register with Bit 8=0.
6. Read Status register.¹⁹
7. Wait controller Ready status bit set.
8. Repeat 3 to 7 for 2nd quarter page.
9. Repeat 3 to 7 for 3rd quarter page.
10. Write Start Encode register.
11. Write 518 bytes to serial Data Buffer (last quarter page).
12. Write Auto Encode register with Auto-Program command, Bit 8=1.
13. Read Status register.¹⁹
14. Wait controller Ready status bit set.

6.5 Block erase operation

The typical NAND block erase operation involves the following steps performed by the CPU:

1. Write Auto Block Erase command (0x60) to Command register.
2. Write block address data to Address register.
3. Write Erase Start command (0xD0) to Command register.

19. The controller will generate an controller Ready interrupt (if enabled).

This sequence remains unchanged. Note, however, that the controller's Hardware and Software Write protection features may interfere with this command sequence. These features are accomplished by the controller by withholding the Erase Start command (D0) written by the CPU under certain conditions. Also note that the controller withholds the command if the CPU attempts to write the Erase Start command (D0) without first writing the Auto Block Erase command and the appropriate block address data. The controller withholds the command and substitutes it with a Reset (0xFF) command to restore the NAND flash to a known state.

6.6 Other operations

All other operations remain identical to the standard NAND operation. Note that due to the controller's requirement to access the NAND device on its own, the CPU must first read the controller's Status register to ensure that the controller is not currently accessing the NAND device to complete active Encode/Decode operations. Failure to perform this operation may result in unexpected operation and/or lost data.

1. Introduction

Note: The LPC3180 has two NAND flash controllers, one for multi level NAND flash devices and one for single-level NAND flash devices. The two NAND flash controllers use the same pins to interface to external NAND flash devices, so only one interface may be active at a time. The NAND flash controllers can be disabled by bits in the FLASHCLK_CTRL register in order to save power when they are not used.

The Single Level Cell SLC NAND flash controller interfaces to single-level NAND flash devices. An external NAND flash device (of either single-level or multi-level type) may be used to allow the Boot Loader to automatically load application code into internal RAM for execution.

2. Features

- Flash sizes up to 2 Gbit devices. Smaller devices will have shadows.
- 8 bit wide NAND flashes.
- DMA page transfers.
- 20 byte DMA read and write FIFO, 8 byte command FIFO.
- Hardware support for ECC (Error Checking and Correction) on the main data area. If an error is detected, software must correct it. Error detection on the spare area must be done in software.

3. Pin descriptions

Table 103. NAND flash controller pins

Pin name	Type	NAND flash signal	Function
FLASH_CE_N	output	CEn	Chip select, active LOW.
FLASH_WR_N	output	WE _n	Write enable, active LOW.
FLASH_RD_N	output	RE _n	Read Enable, active LOW.
FLASH_ALE	output	ALE	Address Latch Enable.
FLASH_CLE	output	CLE	Command Latch Enable.
FLASH_RDY	input	RDY	MLC: active LOW Ready/active HIGH Busy signal. SLC: active HIGH Ready signal.
FLASH_IO[7:0]	input/output	D_IO	I/O pins, commands, address and data.

3.1 Interrupt signals from NAND flash controllers

The interrupt from the MLC NAND flash controller is masked with NAND_INT_E and ORed with the interrupt signal from the SLC NAND flash controller before it goes to the interrupt controller. The connections of the interrupts of the MLC and SLC NAND flash controllers are shown in [Figure 8-21](#).

3.2 DMA request signals from flash controllers

The dma_breq(0), dma_sreq(0), and dma_sreq(1) are ORed together and connected to the DMA controller as the burst request signal from the SLC flash controller (DMA controller peripheral number 1). To be able to use a peripheral to peripheral DMA transfer to the SLC NAND flash controller, this burst request signal is also connected to DMA controller peripheral number 12 when the SLC flash controller is selected.

When the MLC NAND flash controller is selected, the burst request signal from the MLC flash controller is connected to DMA controller peripheral number 12.

The connections of the DMA signals of the MLC and SLC NAND flash controllers are shown in [Figure 8–21](#).

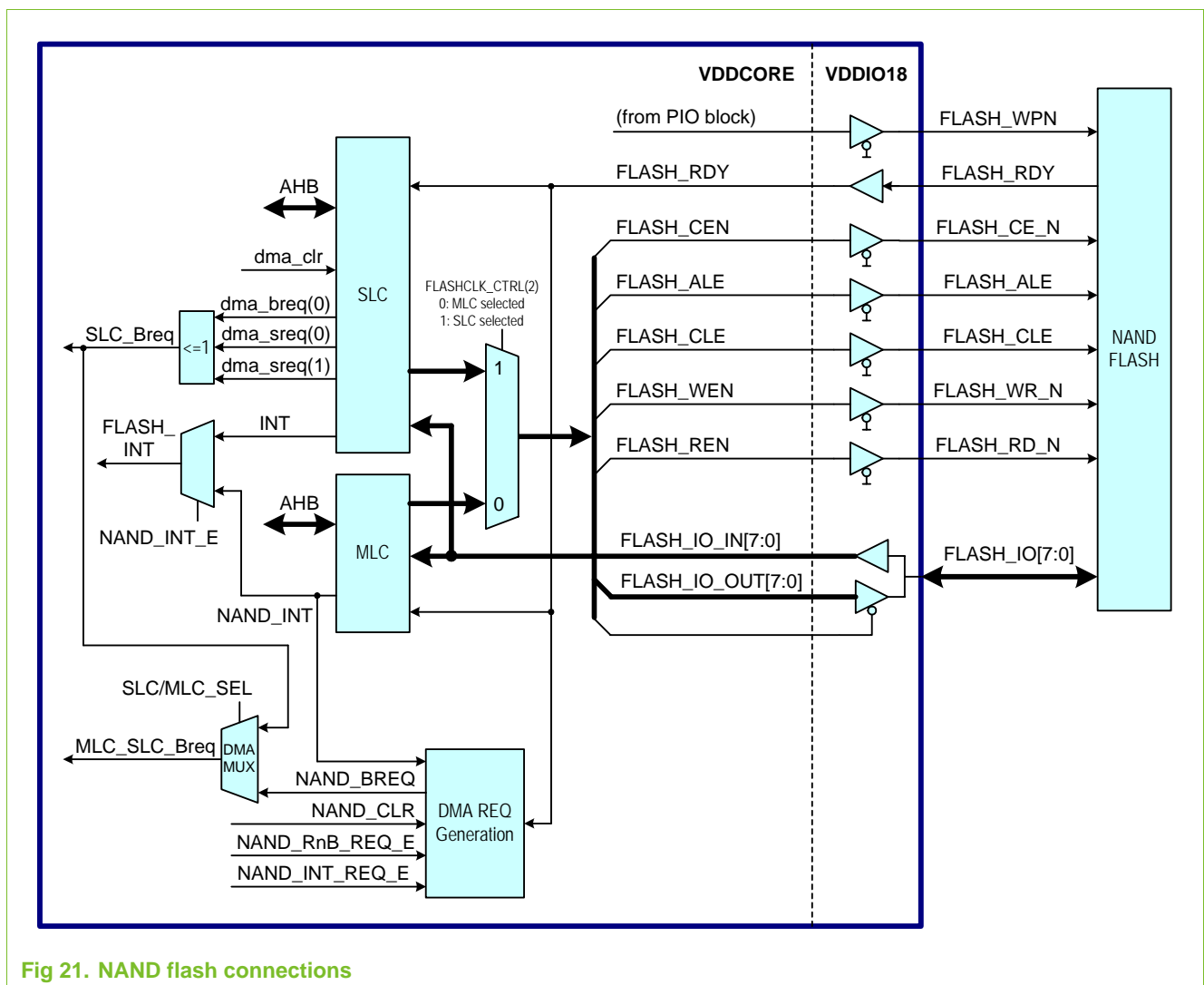


Fig 21. NAND flash connections

4. SLC NAND flash controller description

A block diagram of the SLC NAND flash controller is shown in [Figure 8–22](#).

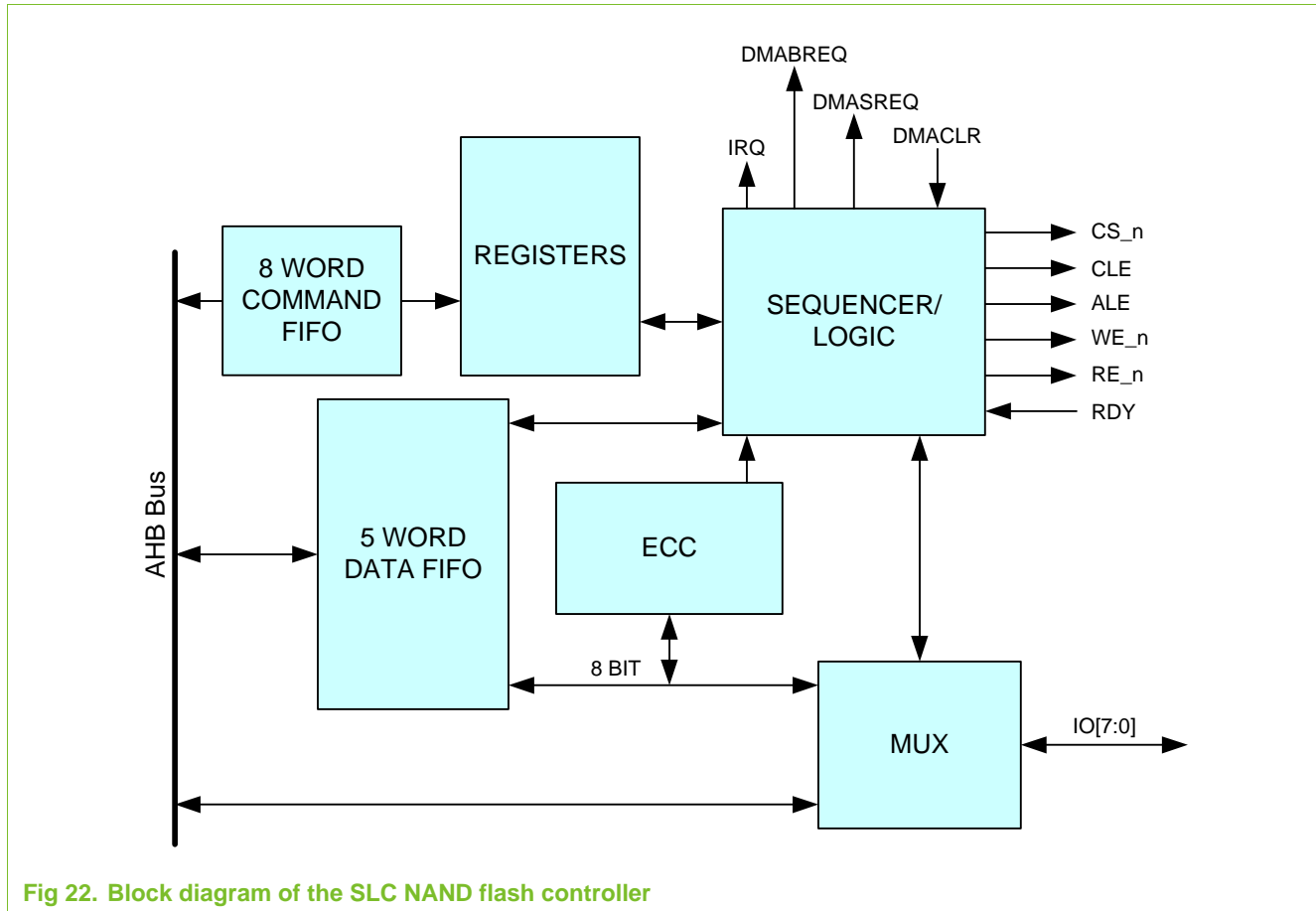


Fig 22. Block diagram of the SLC NAND flash controller

5. DMA interface

The following DMA signals are used on the SLC NAND flash controller. Only one request signal can be active at a time. The request signal remains asserted until the DMA controller asserts the DMACLR signal.

5.1 DMASREQ

Single word DMA request.

5.1.1 DMABREQ

Burst DMA request. The DMABREQ signal is used in the data transfer phase. When reading, it is asserted if the data FIFO has 4 words or more to transfer. When writing, it is asserted if there are less than 4 words in the data FIFO.

Note: the SLC controller produces the signals `dma_breq(0)`, `dma_sreq(0)`, and `dma_sreq(1)`, which are ORed together and connected to the DMA controller as the burst request signal from the SLC flash controller (as peripheral number 1). To be able to use a peripheral to peripheral DMA transfer to the SLC NAND flash controller, this burst request signal is also connected to DMA controller peripheral number 12 when the SLC flash controller is enabled. Refer to the DMA Controller chapter for details of DMA operation.

5.1.2 DMACLR

DMA request clear input. The DMA controller asserts this signal during the transfer of the last word in a burst transfer.

5.2 Data FIFO

There is only one Data FIFO. The Data FIFO is configured either in Read or in Write mode.

1. When the Data FIFO is configured in Read mode, the sequencer reads data from the NAND flash, and stores the data in the Data FIFO. The FIFO is then emptied by 32-bit reads on the AHB bus from either the ARM or the DMA.
2. When the Data FIFO is configured in Write mode, the ARM or the DMA writes data to the FIFO with 32-bit AHB bus writes. The sequencer then takes data out of the FIFO 8 bits at a time, and writes data to the NAND flash.

6. Register description

[Table 8–104](#) shows the registers associated with the single-level NAND flash controller and a summary of their functions. Following the table are details for each register.

Table 104. Single-level NAND flash controller registers

Address	Name	Description	Reset value	Access
0x2002 0000	SLC_DATA	SLC NAND flash Data Register	-	R/W
0x2002 0004	SLC_ADDR	SLC NAND flash Address Register	-	W
0x2002 0008	SLC_CMD	SLC NAND flash Command Register	-	W
0x2002 000C	SLC_STOP	SLC NAND flash STOP Register	-	W
0x2002 0010	SLC_CTRL	SLC NAND flash Control Register	0x00	R/W
0x2002 0014	SLC_CFG	SLC NAND flash Configuration Register	0x00	R/W
0x2002 0018	SLC_STAT	SLC NAND flash Status Register	00X binary	R
0x2002 001C	SLC_INT_STAT	SLC NAND flash Interrupt Status Register	0x00	R
0x2002 0020	SLC_IEN	SLC NAND flash Interrupt enable register	0x00	R/W
0x2002 0024	SLC_ISR	SLC NAND flash Interrupt set register	0x00	W
0x2002 0028	SLC_ICR	SLC NAND flash Interrupt clear register	0x00	W
0x2002 002C	SLC_TAC	SLC NAND flash Read Timing Arcs Configuration Register	0x00	R/W
0x2002 0030	SLC_TC	SLC NAND flash Transfer Count Register	0x00	R/W
0x2002 0034	SLC_ECC	SLC NAND flash Parity bits	0x00	R
0x2002 0038	SLC_DMA_DATA	SLC NAND flash DMA DATA	-	R/W

6.1 SLC NAND flash Data register (SLC_DATA - 0x2002 0000)

SLC_DATA is a 16-bit wide register providing direct access to the NAND flash. The function of bits in SLC_DATA are shown in [Table 8–105](#). Write data is buffered before being transferred to flash memory. SLC_DATA must be accessed as a word register, although only 8 bits of data are used during a write or provided during a read.

Any read of SLC_DATA are translated to read cycles to flash memory and the bus transaction is extended until requested data are available.

Table 105. SLC NAND flash Data register (SLC_DATA - 0x2002 0000)

Bits	Description	Reset value
15:8	Reserved, user software should not write ones to reserved bits. The value read from a reserved bit is not defined.	-
7:0	NAND flash read or write data.	-

6.2 SLC NAND flash Address register (SLC_ADDR - 0x2002 0004)

SLC_ADDR is an 8-bit wide register providing direct access to the NAND flash address register. The function of bits in SLC_ADDR are shown in [Table 8–106](#). The ALE output is driven after a write to SLC_ADDR, and the register content is sent to the NAND flash data lines D_OUT[7:0]. Multiple writes to SLC_ADDR may be used to increase the total width of the transmitted address. Writes to SLC_ADDR are stored in an internal FIFO that is also used for writes to SLC_CMD and SLC_STOP. This FIFO allows internal operations to continue while external NAND flash operations are completed.

Table 106. SLC NAND flash Address Register (SLC_ADDR - 0x2002 0004)

Bits	Description	Reset value
7:0	NAND flash read or write address.	-

6.3 SLC NAND flash Command register (SLC_CMD - 0x2002 0008)

SLC_CMD is an 8 bit wide register providing direct access to the NAND flash command register. The CLE output is driven after a write to SLC_CMD and the register content is sent to the NAND flash data lines. Writes to SLC_CMD are stored in an internal FIFO that is also used for writes to SLC_ADDR and SLC_STOP. This FIFO allows internal operations to continue while external NAND flash operations are completed.

Table 107. SLC NAND flash Command register (SLC_CMD - 0x2002 0008)

Bits	Description	Reset value
7:0	NAND flash command.	-

6.4 SLC NAND flash STOP register (SLC_STOP - 0x2002 000C)

A write to the SLC_STOP register causes the flash controller to suspend all command/address sequences. The function of bits in SLC_STOP are shown in [Table 8–108](#). The stop command is cleared at the end of a DMA access when the Transfer Count TC = 0. Writes to SLC_STOP are stored in an internal FIFO that is also used for writes to SLC_ADDR and SLC_CMD. This FIFO allows internal operations to continue while external NAND flash operations are completed.

Table 108. SLC NAND flash STOP register (SLC_STOP - 0x2002 000C)

Bits	Description	Reset value
7:0	A write to this register causes the SLC flash controller to suspend all command/address sequences.	-

6.5 SLC NAND flash Control register (SLC_CTRL - 0x2002 0010)

The SLC_CTRL register provides basic controls for the NAND flash controller. These include resetting the interface, clearing ECC generation, and starting the DMA function. The function of bits in SLC_CTRL are shown in [Table 8–109](#).

Table 109. SLC NAND flash Control register (SLC_CTRL - 0x2002 0010)

Bits	Description	Reset value
31:3	Reserved, user software should not write ones to reserved bits. The value read from a reserved bit is not defined.	0
2	SW_RESET Writing 1 to this bit causes a reset of the SLC NAND flash controller	0
1	ECC_CLEAR Writing 1 to this bit clears ECC parity bits and reset the counter for ECC accumulation	0
0	DMA_START Writing 1 starts DMA data channel	0

6.6 SLC NAND flash Configuration register (SLC_CFG - 0x2002 0014)

The SLC_CFG register selects certain configuration options for the SLC NAND flash interface. The function of bits in SLC_CFG are shown in [Table 8–110](#).

Table 110. SLC NAND flash Configuration register (SLC_CFG - 0x2002 0014)

Bits	Description	Reset value
31:6	Reserved, user software should not write ones to reserved bits. The value read from a reserved bit is not defined.	0
5	CE_LOW Writing 1 forces CEn always low, otherwise CEn is low only when SLC is accessed	0
4	DMA_ECC 0: DMA ECC channel disabled 1: DMA ECC channel enabled	0
3	ECC_EN 0: ECC disabled 1: ECC enabled	0
2	DMA_BURST 0: burst disabled, use dmasreq0 signal only 1: burst enabled, data channel use DMA_BREQ signal	0
1	DMA_DIR 0 : DMA write to SLC 1 : DMA read from SLC	0
0	WIDTH: external device width select 0: 8-bit device 1: not used	0

6.7 SLC NAND flash Status register (SLC_STAT - 0x2002 0018)

The read-only SLC_STAT register indicates the status of the FIFOs and external flash device. The function of bits in SLC_STAT are shown in [Table 8–111](#).

Table 111. SLC NAND flash Status register (SLC_STAT - 0x2002 0018)

Bits	Description	Reset value
31:3	Reserved, user software should not write ones to reserved bits. The value read from a reserved bit is not defined.	0
2	DMA_ACTIVE: DMA_FIFO status 0: no data in the DMA_FIFO 1: the DMA_FIFO contains data	0
1	SLC_ACTIVE: SLC_FIFO status 0: no data in the SLC_FIFO 1: the SLC_FIFO contains data	0
0	READY: NAND flash device ready signal 0: device busy 1: device ready	Un-defined

6.8 SLC NAND flash Interrupt Status register (SLC_INT_STAT - 0x2002 001C)

The read-only SLC_INT_STAT register reflects the interrupt flags provided by the SLC NAND flash Interface. The function of bits in SLC_INT_STAT are shown in [Table 8–112](#).

Table 112. SLC NAND flash Interrupt Status register (SLC_INT_STAT - 0x2002 001C)

Bits	Description	Reset value
31:2	Reserved, user software should not write ones to reserved bits. The value read from a reserved bit is not defined.	0
1	INT_TC_STAT: Terminal Count interrupt status 0: Interrupt is not pending (after masking by SLC_IEN) 1: Interrupt is pending (after masking by SLC_IEN)	0
0	INT_RDY_STAT: Device ready interrupt status 0: Interrupt is not pending (after masking by SLC_IEN) 1: Interrupt is pending (after masking by SLC_IEN)	0

6.9 SLC NAND flash Interrupt Enable register (SLC_IEN - 0x2002 0020)

The write-only SLC_IEN register contains the interrupt enable flags for the SLC NAND flash Interface. The function of bits in SLC_IEN are shown in [Table 8–113](#).

Table 113. SLC NAND flash Interrupt Enable register (SLC_IEN - 0x2002 0020)

Bits	Description	Reset value
31:2	Reserved, user software should not write ones to reserved bits.	-
1	INT_TC_EN 0: disable TC interrupt 1: enable interrupt when TC has reached 0	-
0	INT_RDY_EN 0: disable RDY interrupt 1: enable interrupt when RDY asserted	-

6.10 SLC NAND flash Interrupt Set Register (SLC_ISR - 0x2002 0024)

The write-only SLC_ISR register allows software to set the NAND flash interrupt flags. The function of bits in SLC_ISR are shown in [Table 8–114](#).

Table 114. SLC NAND flash Interrupt Set Register (SLC_ISR - 0x2002 0024)

Bits	Description	Reset value
31:2	Reserved, user software should not write ones to reserved bits.	-
1	INT_TC_SET 0: writing 0 has no effect 1: writing 1 sets the TC interrupt	-
0	INT_RDY_SET 0: writing 0 has no effect 1: writing 1 sets the RDY interrupt	-

6.11 SLC NAND flash Interrupt Clear Register (SLC_ICR - 0x2002 0028)

The write-only SLC_ICR register allows software to clear the NAND flash interrupt flags. The function of bits in SLC_ICR are shown in [Table 8–115](#).

Table 115. SLC NAND flash Interrupt Clear Register (SLC_ICR - 0x2002 0028)

Bits	Description	Reset value
31:2	Reserved, user software should not write ones to reserved bits.	-
1	INT_TC_CLR 0: writing 0 has no effect 1: writing 1 clears TC interrupt	-
0	INT_RDY_CLR 0: writing 0 has no effect 1: writing 1 clears RDY interrupt	-

6.12 SLC NAND flash Timing Arcs configuration register (SLC_TAC - 0x2002 002C)

The SLC_TAC register gives control of NAND flash bus timing. The function of bits in SLC_TAC are shown in [Table 8–116](#).

Table 116. SLC NAND flash Timing Arcs configuration Register (SLC_TAC - 0x2002 002C)

Bits	Description	Reset value
31:28	W_RDY[3:0] The time before the signal RDY is tested in terms of 2 * clock cycles. After these 2*W_RDY[2:0] clocks, RDY is sampled by the interface. If RDY = 0, the bus sequencer stops. RDY is sampled on each clock until it equals 1, then the bus sequencer continues.	0
27:24	W_WIDTH[3:0] Write pulse width in clock cycles. Programmable from 1 to 16 clocks.	0
23:20	W_HOLD[3:0] Write hold time of ALE, CLE, CEn, and Data in clock cycles. Programmable from 1 to 16 clocks.	0
19:16	W_SETUP[3:0] Write setup time of ALE, CLE, CEn, and Data in clock cycles. Programmable from 1 to 16 clocks.	0
15:12	R_RDY[3:0] Time before the signal RDY is tested in terms of 2 * clock cycles. After these 2*R_RDY[2:0] cycles, RDY is sampled by the interface. If RDY = 0, the bus sequencer stops. RDY is sampled on each clock until it equals 1, then the bus sequencer continues.	0
11:8	R_WIDTH[3:0] Read pulse in clock cycles. Programmable from 1 to 16 clocks.	0
7:4	R_HOLD[3:0] Read hold time of ALE, CLE, and CEn in clock cycles. Programmable from 1 to 16 clocks.	0
3:0	R_SETUP[3:0] Read setup time of ALE, CLE, and CEn in clock cycles. Programmable from 1 to 16 clocks.	0

6.13 SLC NAND flash Transfer Count register (SLC_TC - 0x2002 0030)

The SLC_TC register indicates the number of DMA transfers remaining before DMA completion. SLC_TC is decremented at the completion of each DMA transfer, and must be re-initialized prior to any subsequent DMA transfer. The value written to the SLC_TC register must be a multiple of 4. The function of bits in SLC_TC are shown in [Table 8–117](#).

Table 117. SLC NAND flash Transfer Count Register (SLC_TC - 0x2002 0030)

Bits	Description	Reset value
15:0	T_C Number of remaining bytes to be transferred to or from NAND flash memory during DMA.	0

6.14 SLC NAND flash Error Correction Code register (SLC_ECC - 0x2002 0034)

The read-only SLC_ECC register contains parity information that is calculated for NAND flash data. See the ECC section of this chapter for details. The function of bits in SLC_ECC are shown in [Table 8–118](#).

Table 118. SLC NAND flash Error Correction Code Register (SLC_ECC - 0x2002 0034)

Bits	Description	Reset value
31:22	Reserved, user software should not write ones to reserved bits.	0
21:6	LP[15:0] - Line parity	0
5:0	CP[5:0] - Column parity	0

Note: ECC is computed on data blocks of 256-byte size, and they are calculated on data read from (or written to) the NAND flash memory when the DMA is enabled in burst mode. If support of larger pages is needed, multiple ECC generation must be done. ECC is automatically reset before the each packet, so parity bits would have to be saved immediately for later error detection and correction by software. This can be supported without CPU intervention by using DMA controller scatter/gather mode through linked list. In this mode, read access to SLC_ECC will be under control of DMA.

6.15 SLC NAND flash DMA Data Register (SLC_DMA_DATA - 0x2002 0038)

The SLC_DMA_DATA register is intended to be accessed by DMA only. All reads and writes to this register are 32 bits wide, each containing 4 data bytes. The lower 8 bits is the first byte transferred, etc. If needed, the endianness of the data can be altered by the DMA controller. The function of bits in SLC_DMA_DATA are shown in [Table 8–119](#).

Table 119. SLC NAND flash DMA Data Register (SLC_DMA_DATA - 0x2002 0038)

Bits	Description	Reset value
31:24	First data byte transferred.	-
23:16	Second data byte transferred.	-
15:8	Third data byte transferred.	-
7:0	First data byte transferred.	-

SLC_DMA_DATA is buffered in a 5 word FIFO with trigger level on 4 word. The 5th word allows the SLC flash controller to continue reading the flash without a break after each 4 bytes.

7. SLC NAND flash read/write sequences

Scatter/gather-linked lists in the DMA are used to initialize the type of transfer and to transfer the data and the ECC.

Access to NAND flash blocks larger than 256 bytes requires additional software handling of ECC information. In the following discussion, the term ECCM1 refers to an ECC value calculated by hardware on the first of two 256 byte data blocks, ECCM2 refers to an ECC value calculated by hardware on the second of two 256 byte data blocks, and ECCS refers to an ECC value calculated by software on the spare area.

7.1 Sequence to read a 528 byte page with scatter/gather DMA from SLC NAND flash

1. Set up the SLC NAND flash controller from the CPU (SLC_CTRL = 0x1F, SLC_INT_MASK = 0x1, SLC_TAC = is clock rate dependent). This is only needed for setting up the SLC NAND flash controller after reset.

2. Configure the DMA controller and channel setting from the CPU, it should use the scatter gather mode with a linked list.
3. Send a page Read command from the CPU by writing to SLC_CMD (SLC_CMD = 0x00). The SLC_CMD register is buffered, so the AHB bus does not wait on this write.
4. Send the read address command from the CPU by writing to SLC_ADDR (four address writes) (SLC_ADDR = Column_add, SLC_ADDR = Row_Addr_1, SLC_ADDR = Row_Addr_2, SLC_ADDR = Row_Addr_3). The SLC_ADDR register is buffered. The AHB will cause the CPU to wait if the buffer fills up.
5. Write the transfer count to SLC_TC from the CPU to trigger the read (SLC_TC = 0x210).
6. The SLC NAND flash controller samples RDY to wait for the NAND flash to be ready before reading successive data and requesting the DMA controller to transfer data and the calculated ECC to memory.
7. When the page read is done, the DMA controller sends an interrupt to the CPU.
8. The CPU computes the ECCS from the spare area data.
9. The CPU compares ECCM1, ECCM2 and ECCS with the ECC values read from spare area.

7.1.1 DMA functions

Table 120. Functions of the Scatter/Gather DMA during a 512 byte read of NAND flash

Function	Main area 512 byte				Spare area 16 byte
Data to transfer	Data block 1	ECCM1	Data block 2	ECCM2	Spare area data
Linked List element	LLI 1	LLI 2	LLI 3	LLI 4	LLI 5
Request signals used	BREQ×16	SREQ	BREQ×16	SREQ	BREQ×1

LLI 1 transfers Data block 1 to memory.

LLI 2 transfers the ECC for Data block 1 from SLC_ECC to memory.

LLI 3 transfers Data block 2 to memory.

LLI 4 transfers the ECC for Data block 2 from SLC_ECC to memory.

LLI 5 transfers the spare area to memory, and gives an interrupt to the CPU when finished.

7.2 Sequence to program a 528 byte page with scatter/gather DMA from SLC NAND flash

1. The CPU computes the ECCS for the spare area.
2. Set up the SLC NAND flash controller from the CPU.
3. Configure the DMA controller and channel setting from the CPU, it should use the scatter gather mode with a linked list.
4. Send a page write command from the CPU by writing to SLC_CMD.
5. Send the write address command from the CPU writing to SLC_ADDR (four address writes).

6. Write the transfer count to SLC_TC from the CPU to trigger the write.
7. Write the Program Command to SLC_CMD.
8. The SLC NAND flash controller samples RDY and waits until the NAND flash is ready. After this it asserts a request for DMA. The DMA controller will step in the linked list and another DMA_BREQ is asserted to request a DMA read and save ECCM1. After stepping in the linked list, the transfer will continue to Data block 2. The last request signal in this block is DMA_BREQ, after this the DMA controller will step in the linked list and another DMA_BREQ is asserted to request a DMA read and save ECCM2. After this the DMA controller will step in the linked list and complete the transfer of the spare area.
9. When the page is done, the SLC NAND flash controller sends the Program Command to the NAND flash.
10. The SLC NAND flash controller sends an interrupt when the program sequence in the NAND flash is completed (RDY goes high).
11. The CPU writes the Read Status Command to SLC_CMD and checks the result of the program sequence.

7.2.1 DMA functions

Table 121. Functions of the Scatter/Gather DMA during a 512 byte write to NAND flash

Function	Main area 512 byte				Spare area 16 byte	
Data to transfer	Data block 1	ECCM1	Data block 2	ECCM2	ECCS	Spare area data
Linked List element	LLI 1	LLI 2	LLI 3	LLI 4	LLI 5	
Request signals used	BREQ×16	SREQ	BREQ×16	SREQ	BREQ×1	

LLI 1 transfers Data block 1 to the SLC NAND flash controller.

LLI 2 transfers the ECC for Data block 1 from SLC_ECC to memory.

LLI 3 transfers Data block 2 to the SLC NAND flash controller.

LLI 4 transfers the ECC for Data block 2 from SLC_ECC to memory.

LLI 5 transfers the rest of the spare area to memory.

8. Error checking and correction

ECC generation of the main area is done by hardware and is based on data blocks of 256 bytes. To be able to detect and correct one bit error in a data block of 256 bytes, 6 Column Parity bits and 8 Line Parity bits are needed.

During main area writes, the ECC hardware calculates the Line Parity (LP0-LP7) and column Parity (CP0-CP5) on the data stream between the FIFO and the flash. The ECC for each 256 byte data block must be read back and stored in the right place in the spare data structure to be programmed later in to the spare area.

During main area reads, new ECC Line Parity (LP0'-LP7') and column Parity (CP0'-CP5') are generated for each data block of 256 bytes and stored in memory. Software must check these against the ECC located in the spare area for the page currently read. If an error is detected, software must handle data correction or other response.

ECC generation for data in the spare area is not done automatically.

The whole spare area must first be built in memory before it is programmed to the NAND flash. Software generates the ECC for the spare area and stores the ECC in the memory at the correct location in the spare data structure. When the Data for the spare area is complete (including ECC for the main and spare area) in memory, data is programmed into the NAND flash with ECC generation off.

During reads of the spare area, data is read out and software computes the ECC.

In the following discussion, the term ECCM1 refers to an ECC value calculated by hardware on the first of two 256 byte data blocks, ECCM2 refers to an ECC value calculated by hardware on the second of two 256 byte data blocks, and ECCS refers to an ECC value calculated by software on the spare area.

8.1 How an ECC Code is generated on a 256 byte data block

Figure 8–23 shows an overview of the ECC generation hardware. Figure 8–24 gives a graphical view of how Line and Column Parity are calculated.

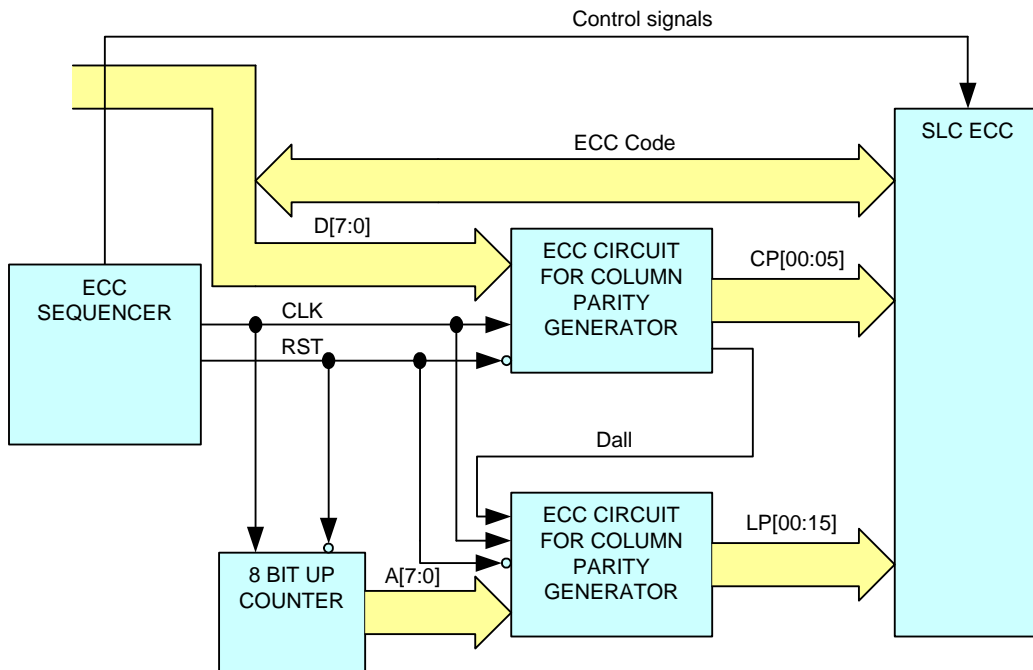


Fig 23. Block diagram of ECC generation

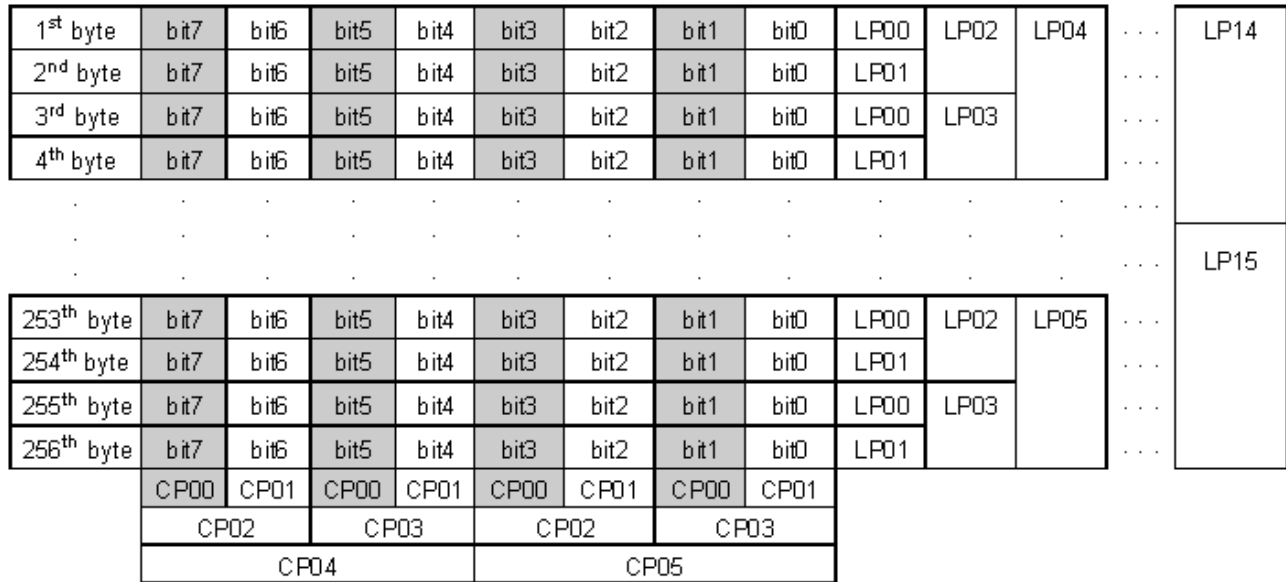


Fig 24. Graphical view of column and line parity

Column Parity is calculated over the entire data block as each data byte is processed. Selected bits of each data byte are added to the previous value of each Column Parity bit.

The equations for the Column Parity bits are:

$$\begin{aligned}
 CP00 &= \text{bit7 EXOR bit5 EXOR bit3 EXOR bit1 EXOR CP00} \\
 CP01 &= \text{bit6 EXOR bit4 EXOR bit2 EXOR bit0 EXOR CP01} \\
 CP02 &= \text{bit7 EXOR bit6 EXOR bit3 EXOR bit2 EXOR CP02} \\
 CP03 &= \text{bit5 EXOR bit4 EXOR bit1 EXOR bit0 EXOR CP03} \\
 CP04 &= \text{bit7 EXOR bit6 EXOR bit5 EXOR bit4 EXOR CP04} \\
 CP05 &= \text{bit3 EXOR bit2 EXOR bit1 EXOR bit0 EXOR CP05}
 \end{aligned}$$

Line parity is calculated over the entire data block as each data byte is processed. If the sum of the bits in one byte is 0, the line parity does not change when it is recalculated. The sum of the bits in 1 byte of data is:

$$Dall = \text{bit7 EXOR bit6 EXOR bit5 EXOR bit4 EXOR bit3 EXOR bit2 EXOR bit1 EXOR bit0}$$

Sixteen line parity bits (LP15-LP00) are computed from 256 bytes of data. An 8 bit counter counts data bytes, bits of this counter are used as a mask for Line Parity bits. The counter is incremented by 1 for each new byte of data. Line Parity is computed by initializing all line parity bits to zero, reading in each byte, computing the byte sum (Dall), and adding Dall to the line parity bits when they are enabled by the appropriate counter bits.

The equations for the Line Parity bits are:

$$\begin{aligned}
 LP00 &= LP00 \text{ EXOR } (Dall \text{ AND } \overline{\text{Counter_bit0}}) \\
 LP01 &= LP01 \text{ EXOR } (Dall \text{ AND } \text{Counter_bit0}) \\
 LP02 &= LP02 \text{ EXOR } (Dall \text{ AND } \text{Counter_bit1})
 \end{aligned}$$

- LP03 = LP03 EXOR (Dall AND Counter_bit1)
- LP04 = LP04 EXOR (Dall AND Counter_bit2)
- LP05 = LP05 EXOR (Dall AND Counter_bit2)
- LP06 = LP06 EXOR (Dall AND Counter_bit3)
- LP07 = LP07 EXOR (Dall AND Counter_bit3)
- LP08 = LP08 EXOR (Dall AND Counter_bit4)
- LP09 = LP09 EXOR (Dall AND Counter_bit4)
- LP10 = LP10 EXOR (Dall AND Counter_bit5)
- LP11 = LP11 EXOR (Dall AND Counter_bit5)
- LP12 = LP12 EXOR (Dall AND Counter_bit6)
- LP13 = LP13 EXOR (Dall AND Counter_bit6)
- LP14 = LP14 EXOR (Dall AND Counter_bit7)
- LP15 = LP15 EXOR (Dall AND Counter_bit7)

8.1.1 How to detect errors

The combination of Column Parity and Line Parity bits allows detection of two or more erroneous data bits and correction of a single erroneous data bit. [Table 8–122](#) shows the cases that can occur when calculated ECC data is compared to stored ECC data. Following the table are descriptions of each case.

Table 122. Error detection cases

LP 15	LP 14	LP 13	LP 12	LP 11	LP 10	LP 09	LP 08	LP 07	LP 06	LP 05	LP 04	LP 03	LP 02	LP 01	LP 00	CP 05	CP 04	CP 03	CP 02	CP 01	CP 00	Code stored in flash
																						Comparison (EXOR)
LP 15'	LP 14'	LP 13'	LP 12'	LP 11'	LP 10'	LP 09'	LP 08'	LP 07'	LP 06'	LP 05'	LP 04'	LP 03'	LP 02'	LP 01'	LP 00'	CP 05'	CP 04'	CP 03'	CP 02'	CP 01'	CP 00'	Code generated at read
0	0	0	0	0	0	0	0	0	0	0	0	0	0	0	0	0	0	0	0	0	0	No Error
1	0	1	0	1	0	1	0	1	0	1	0	1	0	1	0	1	0	1	0	0	1	Correctable
1	0	1	0	1	0	1	0	1	0	1	0	1	0	1	0	1	0	1	0	1	1	Uncorrectable
0	0	1	0	0	0	0	0	0	0	0	0	0	0	0	0	0	0	0	0	0	0	Code Error

No error

Since there is no difference between the code stored in the flash and the one generated after the read, it is assumed that there is no error in this case.

Correctable error

Since all parity bit pairs (CP00 and CP01),.....,(LP014 and LP15) have one error and one match in them as the result of the comparison between the code stored in flash and the one generated after the read, this case is considered to be a correctable error.

Uncorrectable error

In this case, both CP00 and CP01 are in error as the results of the comparison between the code stored in flash and the one generated after the read. This represents a multiple bit error, and is therefore uncorrectable.

ECC code area error

When only one bit (LP13) is erroneous (the result of the comparison between the code stored in flash and the one generated after the read), it is assumed that the error occurred in the ECC area and not in the data area. This is because a single erroneous data bit should cause a difference in half of the Line Parity bits (by changing Dall, which affects half of the Line Parity bits based on the current counter value), and half of the Column Parity bits (based on the equations for the Column Parity bits, which each include half of the data bits).

8.1.2 Finding the location of correctable errors

The error location can be found by XORing the ECC parity bits stored in the flash with ECC bits calculated from the data read out of the flash.

The error location is assembled from XORing the following stored and computed line parity bits:

(LP15,LP13,LP11,LP09,LP07,LP05,LP03,LP01) - this gives the byte address.

($\overline{\text{CP05}}$, $\overline{\text{CP03}}$, $\overline{\text{CP01}}$) - this gives the bit number.

8.2 How to generate ECC on pages greater than 256 bytes

The SLC NAND flash controller is able to support single-level NAND flash with pages of (512 +16) byte and (2 K + 64) byte. This is accomplished by splitting those pages up into 256 byte blocks, generating ECC on each block separately, and storing the result in to the spare areas.

8.2.1 Example for (512 + 16) byte pages

Table 123. ECC generation for 512 + 16 byte pages

Main area 512 byte		Spare area 16 byte
first 256 byte block	second 256 byte block	
ECCM1 3 byte (hardware generated)	ECCM2 3 byte (hardware generated)	ECCS (generated by software)

The SLC NAND flash controller has only one ECC register: The ECCM1 for the first data block in the main area must be read out and stored in memory before the next data block of 256 byte is transferred, and the ECCM2 for this block must be read out before the spare area is transferred.

On reads, the software compares the ECCM1, ECCM2 and ECCS with the ECC from the spare area of the page read.

Table 124. ECC checking for 512 + 16 byte pages

ECC on from data read	Operation	ECC from flash	Result
ECCM1	XOR	ECCM1'	If not = 0, an error has occurred.
ECCM2	XOR	ECCM2'	If not = 0, an error has occurred.
ECCS	XOR	ECCS'	If not = 0, an error has occurred.

1. Features

- Bit-level set and clear registers allow a single instruction set or clear of any number of bits in one port.
- A single register selects direction for pins that support both input and output modes.
- Direction control of individual bits.
- For input/output pins, both the programmed output state and the actual pin state can be read.
- There are a total of 12 general purpose inputs, 24 general purpose outputs, and 6 general purpose input/outputs.
- Additionally, 13 SDRAM data lines may be used as GPIOs if a 16-bit SDRAM interface is used (rather than a 32-bit interface).

2. Applications

- General purpose I/O
- Driving LEDs or other indicators
- Controlling or communicating with off-chip devices
- Sensing static inputs

3. Pin description

Table 125. GPIO pin description

Pin name	Type	Description
GPI_00	I	General purpose input 00.
GPI_01 / SERVICE_N	I	General purpose input 01 or boot select input.
GPI_02 and GPI_03	I	General purpose inputs 02 and 03.
GPI_04 / SPI1_BUSY	I	General purpose input 04 or SPI1 busy input.
GPI_05	I	General purpose input 05.
GPI_06 / HSTIM_CAP	I	General purpose input 06 or high speed timer capture input.
GPI_07	I	General purpose input 07.
GPI_08 / KEY_COL6 / SPI2_BUSY	I	General purpose input 08, keyboard scan KEY_COL7 input, or SPI2 busy input.
GPI_09 / KEY_COL7	I	General purpose input 09 or keyboard scan KEY_COL7 input.
GPI_10 / U4_RX	I	General purpose input 10 or UART4 receive data input.
GPI_11	I	General purpose input 11.
GPIO_00 and GPIO_01	I/O	General purpose input/outputs 00 and 01.
GPIO_02 / KEY_ROW6	I/O	General purpose input/output 02 or keyboard scan KEY_ROW6 output.
GPIO_03 / KEY_ROW7	I/O	General purpose input/output 03 or keyboard scan KEY_ROW7 output.
GPIO_04 and GPIO_05	I/O	General purpose input/outputs 04 and 05.

Table 125. GPIO pin description ...continued

Pin name	Type	Description
GPO_00 / TST_CLK1	Output	General purpose output 00 or test clock 1 output.
GPO_01 through GPO_20	Output	General purpose outputs 01 through 20.
GPO_21 / U4_TX	Output	General purpose output 21 or UART4 transmit data output.
GPO_22 / U7_HRTS	Output	General purpose output 22 or UART27HRTS handshake output.
GPO_23 / U2_HRTS	Output	General purpose output 23 or UART2 handshake output.
RAM_D[31:19]	I/O	13 general purpose input/outputs RAM_D[31] through RAM_D[19].

4. GPIO functional description

The General Purpose Input/Output pin block controls the state of the output ports and allows access to input ports. Some pins are defined as General Purpose Outputs (GPOs), some are General Purpose Inputs (GPIs), and some can perform both functions as General Purpose Input/Outputs (GPIOs). At reset all output signals have a defined value. These values can be found in the Packaging, Pinout, and Pin Multiplexing chapter.

The GPIO block is accessed via the FAB bus and is clocked with PERIPH_CLK. The following figure shows the connections for the different types of pins:

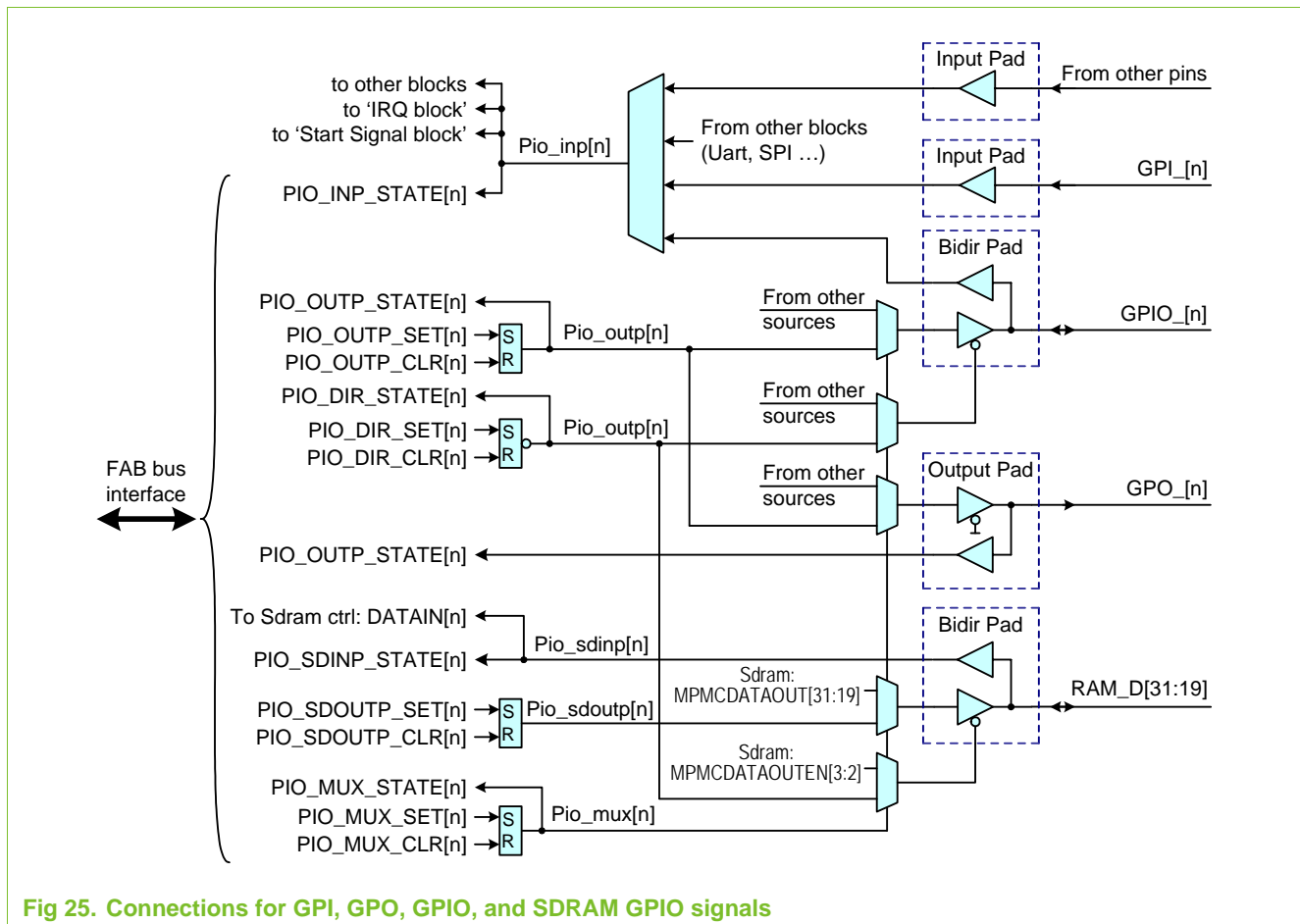


Fig 25. Connections for GPI, GPO, GPIO, and SDRAM GPIO signals

4.1 Inputs

- The actual pin level can be read via the PIO_INP_STATE register. A 'high' on the external pin will result in level '1' in the corresponding bit in the register.
- All input signals are connected as start signals. Refer to the Clocking and Power Control chapter for details.
- All input signals are connected as IRQ signals. Refer to the Interrupt Controller chapter for details.

4.2 Outputs

- The level for the output can be controlled via the PIO_OUTP_SET and PIO_OUTP_CLR registers.
- The actual level for the output can be read via the PIO_OUTP_STATE register.

4.3 Bidirectional pins

- As for Inputs, the PIO_INP_STATE register reflects the current level of the GPIO input pins.
- As for Outputs, the PIO_OUTP_SET and PIO_OUTP_CLR registers control the level on the corresponding GPIO pins.
- The PIO_DIR_SET and PIO_DIR_CLR registers control the direction of the GPIO pins. The chosen direction of the GPIO pins can be read in the PIO_DIR_STATE register.
- The programmed level of the output signal (not necessarily the actual pin level) can be read in the PIO_OUTP_STATE register.

4.4 SDRAM bus GPIOs

- When using a 16 bit SDRAM bus, or if no SDRAMs are connected, the RAM_D[31:19] pins may be used as GPIOs.
- The PIO_SDINP_STATE register reflects the actual level of the RAM_D[31:19] input pins.
- The PIO_SDOUTP_SET and PIO_SDOUTP_CLR registers control the level on the corresponding RAM_D[31:19] pins.
- The direction of the RAM_D[31:19] pins can be selected using the PIO_DIR_SET and PIO_DIR_CLR registers. The chosen direction of the RAM_D[31:19] pins can be read in the PIO_DIR_STATE register.
- Following reset, the RAM_D[31:19] pins are connected to the SDRAM block.

4.5 Alternate functions

Some GPIO pins have alternate functions that are selected by using the PIO_MUX_SET and PIO_MUX_CLR registers. The chosen multiplexing of these pins can be read in the PIO_MUX_STATE register.

GPO_00 has additional connections, allowing it to output one of 3 clock signals. This feature is intended primarily for system testing. The connections to GPO_00 are shown in [Figure 9–26](#).

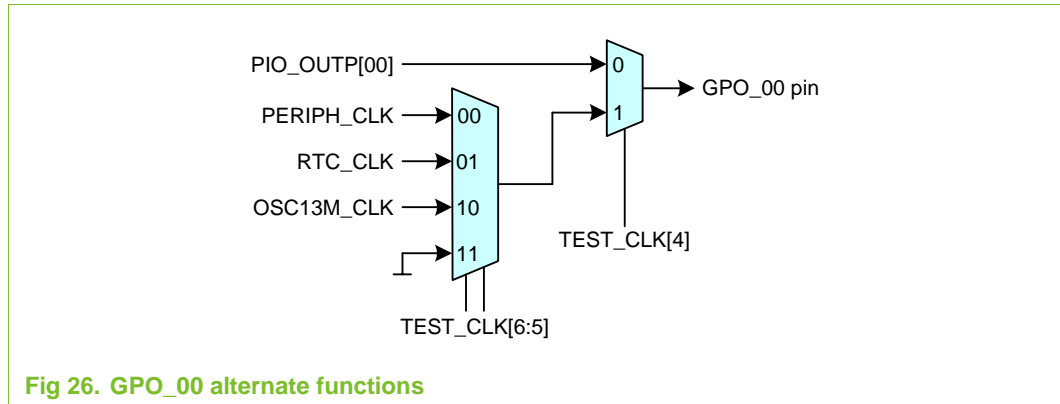


Fig 26. GPO_00 alternate functions

5. Register description

The registers in [Table 9–126](#) give control over GPIO features available on the LPC3180.

Table 126. Summary of GPIO registers

Address	Name	Description	Reset state	Access
0x4002 8000	PIO_INP_STATE	Input pin state register. Reads the state of input pins.	-	RO
0x4002 8004	PIO_OUTP_SET	Output pin set register. Allows setting output pin(s).	-	WO
0x4002 8008	PIO_OUTP_CLR	Output pin clear register. Allows clearing output pin(s).	-	WO
0x4002 800C	PIO_OUTP_STATE	Output pin state register. Reads the state of output pins.	-	RO
0x4002 8010	PIO_DIR_SET	GPIO direction set register. Configures I/O pins as outputs.	-	WO
0x4002 8014	PIO_DIR_CLR	GPIO direction clear register. Configures I/O pins as inputs.	-	WO
0x4002 8018	PIO_DIR_STATE	GPIO direction state register. Reads back pin directions.	0	RO
0x4002 801C	PIO_SDINP_STATE	Input pin state register for SDRAM pins. Reads the state of SDRAM input pins.	-	RO
0x4002 8020	PIO_SDOUDP_SET	Output pin set register for SDRAM pins. Allows setting SDRAM output pin(s).	-	WO
0x4002 8024	PIO_SDOUDP_CLR	Output pin clear register for SDRAM pins. Allows clearing SDRAM output pin(s).	-	WO
0x4002 8028	PIO_MUX_SET	PIO multiplexer control set register. Controls the selection of alternate functions on certain pins.	-	WO
0x4002 802C	PIO_MUX_CLR	PIO multiplexer control clear register. Controls the selection of alternate functions on certain pins.	-	WO
0x4002 8030	PIO_MUX_STATE	PIO multiplexer state register. Reads back the selection of alternate functions on certain pins.	0x0000 0000	RO

5.1 Input Pin State Register (PIO_INP_STATE - 0x4002 8000)

The PIO_INP_STATE register is a read-only register that provides the state of all general purpose inputs and some selected peripheral inputs.

Table 127. Input Pin State Register (PIO_INP_STATE - 0x4002 8000)

PIO_INP_STATE	Function	Description	Reset value
31:29	Reserved	The value read from a reserved bit is not defined.	-
28	GPI_11	Reflects the general purpose input pin GPI_11.	-
27	SPI2_DATIN	Reflects the state of the input pin SPI2_DATIN.	-
26	Reserved	The value read from a reserved bit is not defined.	-
25	SPI1_DATIN	Reflects the state of the input pin SPI1_DATIN.	-
24	GPIO_05	Reflects the general purpose I/O pin GPIO_05.	-
23	U7_RX	Reflects the state of the input pin U7_RX.	-
22	U7_HCTS	Reflects the state of the input pin U7_HCTS.	-
21	U6_IRRX	Reflects the state of the input pin U6_IRRX.	-
20	U5_RX	Reflects the state of the input pin U5_RX.	-
19	GPI_10 (U4_RX)	Reflects the general purpose input pin GPI_10 / U4_RX.	-
18	U3_RX	Reflects the state of the input pin U3_RX.	-
17	U2_RX	Reflects the state of the input pin U2_RX.	-
16	U2_HCTS	Reflects the state of the input pin U2_HCTS.	-
15	U1_RX	Reflects the state of the input pin U1_RX.	-
14	GPIO_04	Reflects the general purpose I/O pin GPIO_04.	-
13	GPIO_03 (KEY_ROW7)	Reflects the general purpose I/O pin GPIO_03 / KEY_ROW7.	-
12	GPIO_02 (KEY_ROW6)	Reflects the general purpose I/O pin GPIO_02 / KEY_ROW6.	-
11	GPIO_01	Reflects the general purpose I/O pin GPIO_01.	-
10	GPIO_00	Reflects the general purpose I/O pin GPIO_00.	-
9	GPI_09 (KEY_COL7)	Reflects the general purpose input pin GPI_09 / KEY_COL7.	-
8	GPI_08 (KEY_COL6/ SPI2_BUSY)	Reflects the general purpose input pin GPI_08 / KEY_COL6 / SPI2_BUSY.	-
7	GPI_07	Reflects the general purpose input pin GPI_07.	-
6	GPI_06 (HSTIM_CAP)	Reflects the general purpose input pin GPI_06 / HSTIM_CAP.	-
5	GPI_05	Reflects the general purpose input pin GPI_05.	-
4	GPI_04 (SPI1_BUSY)	Reflects the general purpose input pin GPI_04 / SPI1_BUSY.	-
3	GPI_03	Reflects the general purpose input pin GPI_03.	-
2	GPI_02	Reflects the general purpose input pin GPI_02.	-
1	GPI_01 (SERVICE_N)	Reflects the general purpose input pin GPI_01 / SERVICE_N.	-
0	GPI_00	Reflects the general purpose input pin GPI_00.	-

5.2 Output Pin Set Register (PIO_OUTP_SET - 0x4002 8004)

The PIO_OUTP_SET register is a write-only register that allows setting one or more general purpose output and I/O pins.

Writing a one to a bit in PIO_OUTP_SET results in the corresponding output or I/O (if configured as an output) pin being driven high. Writing a zero to a bit in PIO_OUTP_SET has no effect.

Table 128. Output Pin Set Register (PIO_OUTP_SET - 0x4002 8004)

PIO_OUTP_SET	Function	Description	Reset value
31	Reserved	Reserved, user software should not write ones to reserved bits.	-
30	GPIO_05	Reflects the general purpose I/O pin GPIO_05.	-
29	GPIO_04	Reflects the general purpose I/O pin GPIO_04.	-
28	GPIO_03	Reflects the general purpose I/O pin GPIO_03.	-
27	GPIO_02	Reflects the general purpose I/O pin GPIO_02.	-
26	GPIO_01	Reflects the general purpose I/O pin GPIO_01.	-
25	GPIO_00	Reflects the general purpose I/O pin GPIO_00.	-
24	Reserved	Reserved, user software should not write ones to reserved bits.	-
23	GPO_23	Reflects the general purpose output pin GPO_23 / U2_HRTS.	-
22	GPO_22	Reflects the general purpose output pin GPO_22 / U7_HRTS.	-
21	GPO_21	Reflects the general purpose output pin GPO_21 / U4_TX.	-
20	GPO_20	Reflects the general purpose output pin GPO_20.	-
19	GPO_19	Reflects the general purpose output pin GPO_19.	-
18	GPO_18	Reflects the general purpose output pin GPO_18.	-
17	GPO_17	Reflects the general purpose output pin GPO_17.	-
16	GPO_16	Reflects the general purpose output pin GPO_16.	-
15	GPO_15	Reflects the general purpose output pin GPO_15.	-
14	GPO_14	Reflects the general purpose output pin GPO_14.	-
13	GPO_13	Reflects the general purpose output pin GPO_13.	-
12	GPO_12	Reflects the general purpose output pin GPO_12.	-
11	GPO_11	Reflects the general purpose output pin GPO_11.	-
10	GPO_10	Reflects the general purpose output pin GPO_10.	-
9	GPO_09	Reflects the general purpose output pin GPO_09.	-
8	GPO_08	Reflects the general purpose output pin GPO_08.	-
7	GPO_07	Reflects the general purpose output pin GPO_07.	-
6	GPO_06	Reflects the general purpose output pin GPO_06.	-
5	GPO_05	Reflects the general purpose output pin GPO_05.	-
4	GPO_04	Reflects the general purpose output pin GPO_04.	-
3	GPO_03	Reflects the general purpose output pin GPO_03.	-
2	GPO_02	Reflects the general purpose output pin GPO_02.	-
1	GPO_01	Reflects the general purpose output pin GPO_01.	-
0	GPO_00	Reflects the general purpose output pin GPO_00 / TST_CLK1.	-

5.3 Output Pin Clear Register (PIO_OUTP_CLR - 0x4002 8008)

The PIO_OUTP_CLR register is a write-only register that allows clearing one or more general purpose output and I/O pins.

Writing a one to a bit in PIO_OUTP_CLR results in the corresponding output or I/O (if configured as an output) pin being driven low. Writing a zero to a bit in PIO_OUTP_CLR has no effect.

Table 129. Output Pin Clear Register (PIO_OUTP_CLR - 0x4002 8008)

PIO_OUTP_CLR	Function	Description	Reset value
31:0		Same functions as PIO_OUTP_SET.	-

5.4 Output Pin State Register (PIO_OUTP_STATE - 0x4002 800C)

The PIO_OUTP_STATE register is a read-only register that provides the state of all general purpose output and I/O pins.

Table 130. Output Pin State Register (PIO_OUTP_STATE - 0x4002 800C)

PIO_OUTP_STATE	Function	Description	Reset value
31:0		Same functions as PIO_OUTP_SET.	-

5.5 GPIO Direction Set Register (PIO_DIR_SET - 0x4002 8010)

The PIO_DIR_SET register is a write-only register that configures the data direction of GPIO pins and SDRAM data pins 31 through 19 when they are not used for SDRAM data. PIO_DIR_SET is used in conjunction with PIO_DIR_CLR.

Writing a one to a bit in PIO_DIR_SET results in the corresponding I/O pin being configured as an output. Writing a zero to a bit in PIO_DIR_SET has no effect.

In the case of SDRAM pins RAM_D[31:19], any value written to PIO_DIR_SET applies only if SDRAM pins RAM_D[31:19] are selected as GPIOs by the GPIO_SDRAM_SEL bit in the PIO_MUX_SET register, which is described later in this chapter.

Table 131. GPIO Direction Set Register (PIO_DIR_SET - 0x4002 8010)

PIO_DIR_SET	Function	Description	Reset value
31	Reserved	Reserved, user software should not write ones to reserved bits.	-
30	GPIO_05	Configure the general purpose I/O pin GPIO_05.	-
29	GPIO_04	Configure the general purpose I/O pin GPIO_04.	-
28	GPIO_03	Configure the general purpose I/O pin GPIO_03.	-
27	GPIO_02	Configure the general purpose I/O pin GPIO_02.	-
26	GPIO_01	Configure the general purpose I/O pin GPIO_01.	-
25	GPIO_00	Configure the general purpose I/O pin GPIO_00.	-
24:13	Reserved	Reserved, user software should not write ones to reserved bits.	-
12	RAM_D[31] pin	Configure the RAM_D[31] pin ^[1] .	-
11	RAM_D[30] pin	Configure the RAM_D[30] pin ^[1] .	-
10	RAM_D[29] pin	Configure the RAM_D[29] pin ^[1] .	-
9	RAM_D[28] pin	Configure the RAM_D[28] pin ^[1] .	-
8	RAM_D[27] pin	Configure the RAM_D[27] pin ^[1] .	-
7	RAM_D[26] pin	Configure the RAM_D[26] pin ^[1] .	-
6	RAM_D[25] pin	Configure the RAM_D[25] pin ^[1] .	-
5	RAM_D[24] pin	Configure the RAM_D[24] pin ^[1] .	-
4	RAM_D[23] pin	Configure the RAM_D[23] pin ^[1] .	-
3	RAM_D[22] pin	Configure the RAM_D[22] pin ^[1] .	-

Table 131. GPIO Direction Set Register (PIO_DIR_SET - 0x4002 8010)

PIO_DIR_SET	Function	Description	Reset value
2	RAM_D[21] pin	Configure the RAM_D[21] pin ^[1] .	-
1	RAM_D[20] pin	Configure the RAM_D[20] pin ^[1] .	-
0	RAM_D[19] pin	Configure the RAM_D[19] pin ^[1] .	-

[1] Bit level definitions: 1 = set pin as output, 0 = don't care.

5.6 GPIO Direction Clear Register (PIO_DIR_CLR - 0x4002 8014)

The PIO_DIR_CLR register is a write-only register that configures the data direction of GPIO pins and SDRAM data pins 31 through 19 when they are not used for SDRAM data. PIO_DIR_CLR is used in conjunction with PIO_DIR_SET.

Writing a one to a bit in PIO_DIR_CLR results in the corresponding I/O pin being configured as an input. Writing a zero to a bit in PIO_DIR_CLR has no effect.

In the case of SDRAM pins RAM_D[31:19], any value written to PIO_DIR_CLR applies only if SDRAM pins RAM_D[31:19] are selected as GPIOs by the GPIO_SDRAM_SEL bit in the PIO_MUX_SET register, which is described later in this chapter.

Table 132. GPIO Direction Clear Register (PIO_DIR_CLR - 0x4002 8014)

PIO_DIR_CLR	Function	Description	Reset value
31:0		Same functions as PIO_DIR_SET.	-

5.7 GPIO Direction State Register (PIO_DIR_STATE - 0x4002 80018)

The PIO_DIR_STATE register is a read-only register that reports the direction selection for GPIO pins and SDRAM data pins 31 through 19 when they are not used for SDRAM data. The value read reflects the result of writes to PIO_DIR_SET and PIO_DIR_CLR.

A value of zero indicates that the pin is configured as an input. A value of one indicates that the pin is configured as an output. In the case of SDRAM pins RAM_D[31:19], the value read from PIO_DIR_STATE only applies if these pins have been configured as GPIOs by the GPIO_SDRAM_SEL bit in the PIO_MUX_SET register, which is described later in this chapter.

Table 133. GPIO Direction State Register (PIO_DIR_STATE - 0x4002 80018)

PIO_DIR_STATE	Function	Description	Reset value
31:0		Same functions as PIO_DIR_SET.	0

5.8 Input Pin State register for SDRAM pins (PIO_SDINP_STATE - 0x4002 801C)

The PIO_SDINP_STATE register is a read-only register that provides the state of SDRAM pins RAM_D[31:19]. This allows reading the pin values when the SDRAM pins are used as GPIOs.

Table 134. Input Pin State register for SDRAM pins (PIO_SDINP_STATE - 0x4002 801C)

PIO_SDINP_STATE	Function	Description	Reset value
31:13	Reserved	The value read from a reserved bit is not defined.	-
12	RAM_D[31]	Reflects the state of the RAM_D[31] pin.	-
11	RAM_D[30]	Reflects the state of the RAM_D[30] pin.	-
10	RAM_D[29]	Reflects the state of the RAM_D[29] pin.	-
9	RAM_D[28]	Reflects the state of the RAM_D[28] pin.	-
8	RAM_D[27]	Reflects the state of the RAM_D[27] pin.	-
7	RAM_D[26]	Reflects the state of the RAM_D[26] pin.	-
6	RAM_D[25]	Reflects the state of the RAM_D[25] pin.	-
5	RAM_D[24]	Reflects the state of the RAM_D[24] pin.	-
4	RAM_D[23]	Reflects the state of the RAM_D[23] pin.	-
3	RAM_D[22]	Reflects the state of the RAM_D[22] pin.	-
2	RAM_D[21]	Reflects the state of the RAM_D[21] pin.	-
1	RAM_D[20]	Reflects the state of the RAM_D[20] pin.	-
0	RAM_D[19]	Reflects the state of the RAM_D[19] pin.	-

5.9 Output Pin Set register for SDRAM pins (PIO_SDOUTP_SET - 0x4002 8020)

The PIO_SDOUTP_SET register is a write-only register that allows setting one or more of the SDRAM pins RAM_D[31:19]. This applies only if SDRAM pins RAM_D[31:19] are selected as GPIOs (by the GPIO_SDRAM_SEL bit in the PIO_MUX_SET register, which is described later in this chapter), and if the specified pins are configured as outputs via the PIO_DIR_SET register.

Writing a one to a bit in PIO_SDOUTP_SET results in the corresponding pin (if configured as an output) being driven high. Writing a zero to a bit in PIO_SDOUTP_SET has no effect.

Table 135. Output Pin Set register for SDRAM pins (PIO_SDOUTP_SET - 0x4002 8020)

PIO_SDOUTP_SET	Function	Description	Reset value
31:0		Same functions as PIO_SDINP_STATE.	-

5.10 Output Pin Clear register for SDRAM pins (PIO_SDOUTP_CLR - 0x4002 8024)

The PIO_SDOUTP_CLR register is a write-only register that allows clearing one or more of the SDRAM pins RAM_D[31:19]. This applies only if SDRAM pins RAM_D[31:19] are selected as GPIOs (by the GPIO_SDRAM_SEL bit in the PIO_MUX_SET register, which is described later in this chapter), and if the specified pins are configured as outputs via the PIO_DIR_SET register.

Writing a one to a bit in PIO_SDOUTP_CLR results in the corresponding pin (if configured as an output) being driven low. Writing a zero to a bit in PIO_SDOUTP_CLR has no effect.

Table 136. Output Pin Clear register for SDRAM pins (PIO_SDOUTP_CLR - 0x4002 8024)

PIO_SDOUTP_CLR	Function	Description	Reset value
31:0		Same functions as PIO_SDINP_STATE.	-

5.11 PIO Multiplexer control Set register (PIO_MUX_SET - 0x4002 8028)

The PIO_MUX_SET register is a write-only register that allows configuring selected pins for one of two functions. In each case, one function is a GPIO-type function and the other is a peripheral function.

Writing a one to a bit in PIO_MUX_SET results in the corresponding pin being configured for the alternate function. Writing a zero to a bit in PIO_MUX_SET has no effect.

Table 137. PIO Multiplexer control Set register (PIO_MUX_SET - 0x4002 8028)

PIO_MUX_SET	Function	Description	Reset value
31:4	Reserved	Reserved, user software should not write ones to reserved bits.	-
3	GPIO_SDRAM_SEL	0: SDRAM_D[31:19] are connected to the SDRAM controller. 1: SDRAM_D[31:19] are connected to the GPIO block. These pins can be used as general purpose GPIO when 16 bit SDRAM or DDRAM is used.	0
2	GPO_21 mux control	0: GPO_21. 1: Configure GPO_21 to be U4_TX.	0
1	GPIO_03 mux control	0: GPIO_03. 1: Configure as GPIO_03 to be KeyScan Row[7].	0
0	GPIO_02 mux control	0: GPIO_02. 1: Configure as GPIO_02 to be KeyScan Row[6].	0

5.12 PIO Multiplexer control Clear register (PIO_MUX_CLR - 0x4002 802C)

The PIO_MUX_CLR register is a write-only register that allows configuring selected pins for one of two functions. In each case, one function is a GPIO-type function and the other is a peripheral function.

Writing a one to a bit in PIO_MUX_CLR results in the corresponding pin being configured for the default function. Writing a zero to a bit in PIO_MUX_CLR has no effect.

Table 138. PIO multiplexer control Clear register (PIO_MUX_CLR - 0x4002 802C)

PIO_MUX_CLR	Function	Description	Reset value
31:0		Same functions as PIO_MUX_SET.	-

5.13 PIO Multiplexer State register (PIO_MUX_STATE - 0x4002 8030)

The PIO_MUX_STATE register is a read-only register that reports the function selected for certain pins. The value read reflects the result of writes to PIO_MUX_SET and PIO_MUX_CLR.

A value of zero indicates that the pin is configured to the default function. A value of one indicates that the pin is configured to the alternate function.

Table 139. PIO Multiplexer State register (PIO_MUX_STATE - 0x4002 8030)

PIO_MUX_STATE	Function	Description	Reset value
31:0		Same functions as PIO_MUX_SET.	0

1. Introduction

The USB is a 4 wire bus that supports communication between a host and a number (127 max.) of peripherals. The host controller allocates the USB bandwidth to attached devices through a token based protocol. The bus supports hot plugging, un-plugging and dynamic configuration of the devices. All transactions are initiated by the host controller.

The host schedules transactions in 1 ms frames. Each frame contains a SoF marker and transactions that transfer data to/from device endpoints. Each device can have a maximum of 16 logical or 32 physical endpoints. There are 4 types of transfers defined for the endpoints. The control transfers are used to configure the device. The interrupt transfers are used for periodic data transfer. The bulk transfers are used when rate of transfer is not critical. The isochronous transfers have guaranteed delivery time but no error correction.

The device controller enables 12 Mb/s data exchange with a USB host controller. It consists of register interface, serial interface engine, endpoint buffer memory and DMA controller. The serial interface engine decodes the USB data stream and writes data to the appropriate end point buffer memory. The status of a completed USB transfer or error condition is indicated via status registers. An interrupt is also generated if enabled. The DMA controller when enabled transfers data between the endpoint buffer and the USB RAM.

Table 140. USB related acronyms, abbreviations, and definitions used in this chapter

Acronym/abbreviation	Description
AHB	Advanced High-performance bus
ATLE	Auto Transfer Length Extraction
ATX	Analog Transceiver
DD	DMA Descriptor
DC	Device Core
DDP	DD Pointer
DMA	Direct Memory Access
EoP	End of Package
EP	End Point
FS	Full Speed
HREADY	When HIGH the HREADY signal indicates that a transfer has finished on the AHB bus. This signal may be driven LOW to extend a transfer.
LED	Light Emitting Diode
LS	Low Speed
MPS	Maximum Packet Size
PLL	Phase Locked Loop
RAM	Random Access Memory
SoF	Start of Frame
SIE	Serial Interface Engine

Table 140. USB related acronyms, abbreviations, and definitions used in this chapter

Acronym/abbreviation	Description
SRAM	Synchronous RAM
UDCA	USB Device Communication Area
USB	Universal Serial Bus

1.1 Features

- Fully compliant with USB 2.0 Full Speed specification.
- Supports 32 physical (16 logical) endpoints.
- Supports Control, Bulk, Interrupt and Isochronous endpoints.
- Scalable realization of endpoints at run time.
- Endpoint Maximum packet size selection (up to USB maximum specification) by software at run time.
- RAM message buffer size based on endpoint realization and maximum packet size.
- Supports bus-powered capability with low suspend current.
- Support DMA transfer on all non-control endpoints.
- One Duplex DMA channel serves all endpoints.
- Allows dynamic switching between CPU controlled and DMA modes.
- Double buffer implementation for Bulk and Isochronous endpoints.

1.2 Fixed endpoint configuration

Table 141. Pre-fixed endpoint configuration

Logical endpoint	Physical endpoint	Endpoint type	Direction	Packet size (bytes)	Double buffer
0	0	Control	Out	8,16,32,64	No
0	1	Control	In	8,16,32,64	No
1	2	Interrupt	Out	1 to 64	No
1	3	Interrupt	In	1 to 64	No
2	4	Bulk	Out	8,16,32,64	Yes
2	5	Bulk	In	8,16,32,64	Yes
3	6	Isochronous	Out	1 to 1023	Yes
3	7	Isochronous	In	1 to 1023	Yes
4	8	Interrupt	Out	1 to 64	No
4	9	Interrupt	In	1 to 64	No
5	10	Bulk	Out	8,16,32,64	Yes
5	11	Bulk	In	8,16,32,64	Yes
6	12	Isochronous	Out	1 to 1023	Yes
6	13	Isochronous	In	1 to 1023	Yes
7	14	Interrupt	Out	1 to 64	No
7	15	Interrupt	In	1 to 64	No
8	16	Bulk	Out	8,16,32,64	Yes

Table 141. Pre-fixed endpoint configuration ...continued

Logical endpoint	Physical endpoint	Endpoint type	Direction	Packet size (bytes)	Double buffer
8	17	Bulk	In	8,16,32,64	Yes
9	18	Isochronous	Out	1 to 1023	Yes
9	19	Isochronous	In	1 to 1023	Yes
10	20	Interrupt	Out	1 to 64	No
10	21	Interrupt	In	1 to 64	No
11	22	Bulk	Out	8,16,32,64	Yes
11	23	Bulk	In	8,16,32,64	Yes
12	24	Isochronous	Out	1 to 1023	Yes
12	25	Isochronous	In	1 to 1023	Yes
13	26	Interrupt	Out	1 to 64	No
13	27	Interrupt	In	1 to 64	No
14	28	Bulk	Out	8,16,32,64	Yes
14	29	Bulk	In	8,16,32,64	Yes
15	30	Bulk	Out	8,16,32,64	Yes
15	31	Bulk	In	8,16,32,64	Yes

1.3 Architecture

The architecture of the USB device controller is shown below in the block diagram.

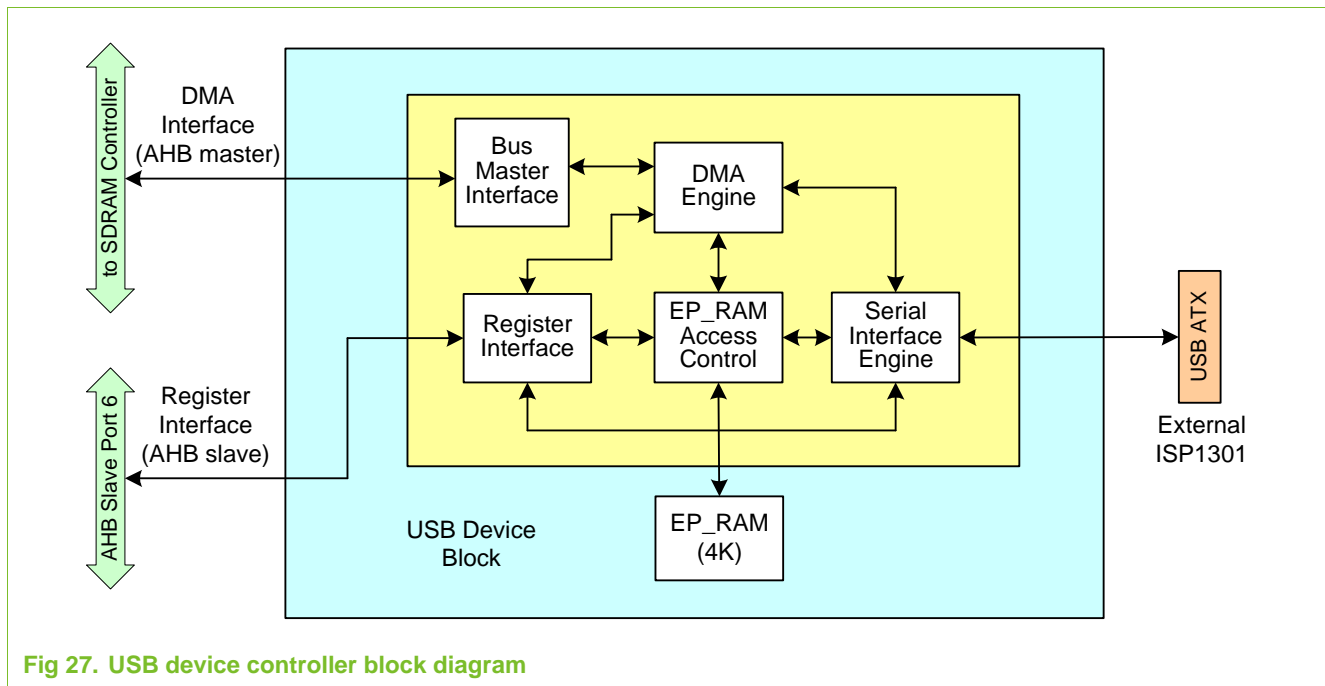


Fig 27. USB device controller block diagram

2. Data flow

USB is a host controlled protocol, i.e., irrespective of whether the data transfer is from the host to the device or device to the host, transfer sequence is always initiated by the host. During data transfer from device to the host, the host sends an IN token to the device, following which the device responds with the data.

2.1 Data flow from USB host to the device

The USB ATX receives the bi-directional D+ and D- signal of the USB bus. The USB device Serial Interface Engine (SIE) receives the serial data from the ATX and converts it into a parallel data stream. The parallel data is sent to the RAM interface which in turn transfers the data to the endpoint buffer. The endpoint buffer is implemented as an SRAM based FIFO. Each realized endpoint will have a reserved space in the RAM. So the total RAM space required depends on the number of realized endpoints, maximum packet size of the endpoint and whether the endpoint supports double buffering. Data is written to the buffers with the header showing how many bytes are valid in the buffer.

For non-isochronous endpoints, when a full data packet is received without any errors, the endpoint generates a request for data transfer from its FIFO by generating an interrupt to the system.

Isochronous endpoint will have one packet of data to be transferred in every frame. So the data transfer has to be synchronized to the USB frame rather than packet arrival. Therefore for every 1 ms there will be an interrupt to the system.

The data transfer follows the little endian format. The first byte received from the USB bus will be available in the LS byte of the receive data register.

2.2 Data flow from device to the host

For data transfer from an endpoint to the host, the host will send an IN token to that endpoint. If the FIFO corresponding to the endpoint is empty, the device will return a NAK and will raise an interrupt to the system. On this interrupt the CPU fills a packet of data in the endpoint FIFO. The next IN token that comes after filling this packet will transfer this packet to the host.

The data transfer follows the little endian format. The first byte sent on the USB bus will be the LS byte of the transmit data register.

2.3 Slave mode transfer

Slave data transfer is done through the interrupt issued from the USB device to the CPU.

Reception of valid (error-free) data packet in any of the OUT non-isochronous endpoint buffer generates an interrupt. Upon receiving the interrupt, the software can read the data using receive length and data registers. When there is no empty buffer (for a given OUT non-isochronous endpoint), any data arrival generates an interrupt only if the Interrupt on NAK feature for that endpoint type is enabled and the existing interrupt is cleared. For OUT isochronous endpoints, the data will always be written irrespective of the buffer status. There will be no interrupt generated specific to OUT isochronous endpoints other than the frame interrupt.

Similarly, when a packet is successfully transferred to the host from any of the IN non-isochronous endpoint buffer, an interrupt is generated. When there is no data available in any of the buffers (for a given IN non-isochronous endpoint), a data request generates an interrupt only if Interrupt on NAK feature for that endpoint type is enabled and existing interrupt is cleared. Upon receiving the interrupt, the software can load any data to be sent using transmit length and data registers. For IN isochronous endpoints, the data available in the buffer will be sent only if the buffer is validated; otherwise, an empty packet will be sent. Like OUT isochronous endpoints, there will be no interrupt generated specific to IN isochronous endpoints other than the frame interrupt.

2.4 DMA mode transfer

Under DMA mode operation the USB device will act as a master on the AHB bus and transfers the data directly from the memory to the endpoint buffer and vice versa. A duplex channel DMA acts as a AHB master on the bus.

The endpoint 0 of USB (default control endpoint) will receive the setup packet. It will not be efficient to transfer this data to the USB RAM since the CPU has to decode this command and respond back to the host. So, this transfer will happen in the slave mode only.

For each isochronous endpoint, one packet transfer happens every frame. Hence, the DMA transfer has to be synchronized to the frame interrupt.

The DMA engine also supports Auto Transfer Length Extraction (ATLE) mode for bulk transfers. In this mode the DMA engine recovers the transfer size from the incoming packet stream.

2.5 Interrupts

The USB device has three interrupt output lines. The interrupts `usb_dev_lp_int` and `usb_dev_hp_int` facilitates transfer of data in slave mode. These two interrupt lines are provided to allow two different priority (high/low) levels in slave mode transfer. Each of the individual endpoint interrupts can be routed to either high priority or low priority levels using corresponding bits in the endpoint interrupt priority register. The interrupt level is triggered with active HIGH polarity. The external interrupt generation takes place only if the necessary 'enable' bits are set in the Device Interrupt Enable register. Otherwise, they will be registered only in the status registers. The `usb_dev_dma_int` is raised when an `end_of_transfer` or a system error has occurred. DMA data transfer is not dependent on this interrupt. These interrupts also contribute to the `USB_INT` which can act as a start source in STOP mode.

3. Interfaces

3.1 Pin description

Table 142. USB external interface

Name	Direction	Description
USB_I2C_SDA	I/OT	I ² C serial bus data ^[1]
USB_I2C_SCL	I/OT	I ² C serial bus clock ^[1]
USB_ATX_INT_N	I	Interrupt from transceiver

Table 142. USB external interface

Name	Direction	Description
USB_OE_TP_N	I/O	Transmit enable for DAT/SE0
USB_DAT_VP	I/O	TX data / D+ receive
USB_SE0_VM	I/O	S. E. Zero transmit / D- receive

[1] Open drain pin requiring an external pull-up resistor

3.2 AHB interface

Accessing all of the registers in USB device controller is done through the AHB interface. AHB is also used for data transfer to all endpoints in the slave mode. All AHB signals are timed by the AHB clock "HCLK".

The minimum AHB clock frequency should be 18 MHz if the USB block is enabled.

3.3 Clock

The USB device controller clock is a 48MHz input clock derived from the Main oscillator clock OSC_CLK. This clock will be used to recover the 12MHz clock from the USB bus.

The AHB clock is also needed to access all the USB device registers.

3.4 Power requirements

The USB protocol insists on power management by the device. This becomes very critical if the device draws power from the bus (bus-powered device). The following constraints should be met by the bus-powered device.

1. A device in the non-configured state should draw a maximum of 100mA from the bus.
2. The configured device can draw only up to what is specified in the Max Power field of the configuration descriptor. The maximum value is 500mA.
3. A suspended device should draw only a maximum of 500µA.

3.4.1 Suspend and resume (Wake-up)

A device can go into suspend state if there is no activity for more than 3ms. In a full speed device, a frame token (SoF packet) starts at every millisecond. So, they are less likely to go into suspend state. But there are two situations during which they do go into the suspend state.

In the global suspend mode, the USB host suspends the full USB system by stopping the transmission of SoF packets. In the selective suspend mode, the host disables the hub port in which the device is connected, thus blocking the transmission of SoF packets and data to the device.

A suspended device can be resumed or woken up if the host starts sending USB packets again (host initiated wake-up).

3.4.2 Power management support

When the device is going to the suspend state, there will be an interrupt to the USB device controller when there is no activity on the bus for more than 3ms.

If there is no bus activity again for the next 2ms, the `usb_dev_needclk` signal will go low. This indicates that the USB main clock can be switched off. Once the USB main clock is switched off, internal registers in the USB clock domain will not be visible anymore to the software.

3.4.3 Remote wake-up

The USB device controller supports software initiated remote wake-up. Remote wake-up involves a resume signal initiated from the device. This is done by resetting the suspend bit in the device status register. Before writing into the register, all the clocks to the USB device have to be enabled. In order to keep the `usb_dev_needclk` high, the `AP_CLK` bit in the set mode register needs to be set to high so that the 48 Mhz PLL clock to the USB device controller is always enabled.

3.5 Software interface

The software interface of the USB device block consists of a register view and the format definitions for the endpoint descriptors. These two aspects are addressed in the next two subsections.

3.5.1 Register map

The following registers are located in the AHB clock domain. The minimum AHB clock frequency should be 18 MHz. They can be accessed directly by the CPU. All registers are 32 bit wide and aligned in the word address boundaries.

USB slave mode registers are located in the address region 0x3102 0200 to 0x3102 024C. All unused address in this region reads "DEADABBA".

DMA related registers are located in the address region 0x3102 0250 to 0x3102 02FC. All unused address in this region reads invalid data.

Table 143. USB device register address definitions

Name	Description	Address	R/W ^[1]	Function
Device interrupt registers				
USBDevIntSt	Device Interrupt Status	0x3102 0200	R	Interrupt status register for the device
USBDevIntEn	Device Interrupt Enable	0x3102 0204	R/W	Enable external interrupt generation
USBDevIntClr	Device Interrupt Clear	0x3102 0208	C	Clears device interrupt status
USBDevIntSet	Device Interrupt Set	0x3102 020C	S	Sets device interrupt status
USBDevIntPri	Device Interrupt Priority	0x3102 022C	W	Interrupt priority register
Endpoint interrupt registers				
USBEpIntSt	Endpoint Interrupt Status	0x3102 0230	R	Interrupt status register for endpoints
USBEpIntEn	Endpoint Interrupt Enable	0x3102 0234	R/W	Enable endpoint interrupt generation
USBEpIntClr	Endpoint Interrupt Clear	0x3102 0238	C	Clears endpoint interrupt status
USBEpIntSet	Endpoint Interrupt Set	0x3102 023C	S	Sets endpoint interrupt status
USBEpIntPri	Endpoint Interrupt Priority	0x3102 0240	W	Defines in which interrupt line the endpoint interrupt will be routed
Endpoint realization registers				
USBReEp	Realize Endpoint	0x3102 0244	R/W	Defines which endpoints are to be realized

Table 143. USB device register address definitions

Name	Description	Address	R/W ⁽¹⁾	Function
USBEpInd	Endpoint Index	0x3102 0248	W	Pointer to the maxpacket size register array
USBEpMaxPSize	MaxPacket Size	0x3102 024C	R/W	Max packet size register array
Data transfer registers				
USBRxData	Receive Data	0x3102 0218	R	Register from which data corresponding to the OUT endpoint packet is to be read
USBRxPLen	Receive PacketLength	0x3102 0220	R	Register from which packet length corresponding to the OUT endpoint packet is to be read
USBTxData	Transmit Data	0x3102 021C	W	Register to which data to the IN endpoint is to be written
USBTxPLen	Transmit PacketLength	0x3102 0224	W	Register to which packet length for IN endpoint is to be written
USBCtrl	USB Control	0x3102 0228	R/W	Controls read-write operation
Command registers				
USBCmdCode	Command Code	0x3102 0210	W	Register to which command has to be written
USBCmdData	Command Data	0x3102 0214	R	Register from which data resulting from the execution of command to be read
DMA registers				
USBDMARSt	DMA Request Status	0x3102 0250	R	The DMA request status register
USBDMARClr	DMA Request Clear	0x3102 0254	C	DMA request clear register
USBDMARSet	DMA Request Set	0x3102 0258	S	DMA Request set register
USBUDCAH	UDCA_Head	0x3102 0280	R/W	DD pointer address location
USBEpDMASt	EP DMA Status	0x3102 0284	R	DMA enable status for each endpoint
USBEpDMAEn	EP DMA Enable	0x3102 0288	S	Endpoint DMA enable register
USBEpDMADis	EP DMA Disable	0x3102 028C	C	Endpoint DMA disable register
USBDMAIntSt	DMA Interrupt Status	0x3102 0290	R	DMA Interrupt status register
USBDMAIntEn	DMA Interrupt Enable	0x3102 0294	R/W	DMA Interrupt enable register
USBEoTIntSt	End Of Transfer Interrupt Status	0x3102 02A0	R	DMA transfer complete interrupt status register
USBEoTIntClr	End Of Transfer Interrupt Clear	0x3102 02A4	C	DMA transfer complete interrupt clear register
USBEoTIntSet	End Of Transfer Interrupt Set	0x3102 02A8	S	DMA transfer complete interrupt set register
USBNDDRIntSt	New DD Request Interrupt Status	0x3102 02AC	R	New DD request interrupt status register
USBNDDRIntClr	New DD Request Interrupt Clear	0x3102 02B0	C	New DD request interrupt clear register
USBNDDRIntSet	New DD Request Interrupt Set	0x3102 02B4	S	New DD request interrupt set register
USBSysErrIntSt	System Error Interrupt Status	0x3102 02B8	R	System error interrupt status register
USBSysErrIntClr	System Error Interrupt Clear	0x3102 02BC	C	System error interrupt clear register
USBSysErrIntSet	System Error Interrupt Set	0x3102 02C0	S	System error interrupt set register
USBModId	Module ID register	0x3102 02FC	R	IP_number, Version and Revision

- [1] The R/W column in [Table 10–141](#) lists the accessibility of the register:
- Registers marked 'R' for access will return their current value when read.
 - Registers marked 'S' for access allows individual bits to be set to '1' for each corresponding register bit. Bits set to '0' will not affect the value of the corresponding register bit. Reading an 'S' marked register will return an invalid value.
 - Registers marked 'C' for access allows individual bits to be cleared by writing a value that has bits set to '1' for each corresponding register bit that needs to be set to '0'. Bits set to '0' will not affect the value of the corresponding register bit. Reading a 'C' marked register will return invalid value.
 - Registers marked 'R/W' allow both read and write.

3.6 USB device register definitions

3.6.1 USB Device Interrupt Status Register - (USBDevIntSt - 0x3102 0200, R)

Interrupt status register holds the value of the interrupt. '0' indicates no interrupt and '1' indicates the presence of the interrupt.

Table 144. USB Device Interrupt Status Register - (USBDevIntSt - 0x3102 0200, R)

Bits	Name	Function	Reset value
31:10	-	Reserved	0x0
9	ERR_INT	Error Interrupt. Any bus error interrupt from the USB device. Refer to section Section 10–3.8.1.9 “ReadErrorStatus” .	0
8	EP_RLZED	Endpoints realized. Set when Realize endpoint register or Maxpacket size register is updated.	0
7	TxENDPKT	The number of data bytes transferred to the FIFO equals the number of bytes programmed in the TxPacket length register.	0
6	RxENDPKT	The current packet in the FIFO is transferred to the CPU.	0
5	CDFULL	Command data register is full (Data can be read now).	0
4	CCEMPTY	The command code register is empty (New command can be written).	1
3	DEV_STAT	Set when USB Bus reset, USB suspend change or Connect change event occurs. Refer to section Section 10–3.8.1.6 “Set Device Status” .	0
2	EP_SLOW	This is the Slow interrupt transfer for the endpoint. If an Endpoint Interrupt Priority Register bit is not set, the endpoint interrupt will be routed to this bit.	0
1	EP_FAST	This is the fast interrupt transfer for the endpoint. If an Endpoint Interrupt Priority register bit is set, the endpoint interrupt will be routed to this bit.	0
0	FRAME	The frame interrupt occurs every 1 ms. This is to be used in isochronous packet transfer.	0

3.6.2 USB Device Interrupt Enable Register - (USBDevIntEn - 0x3102 0204, R/W)

If the Interrupt Enable bit value is set, an external interrupt is generated (on Fast or Slow Interrupt line) when the corresponding bit in the interrupt status register is set. If it is not set, no external interrupt is generated but interrupt will still be held in the interrupt status register. The bit field definition is same as the device interrupt status register as shown in [Table 10–144](#). All bits of this register are cleared after reset.

Table 145. USB Device Interrupt Enable Register - (USBDevIntEn - 0x3102 0204, R/W)

Bits	Name	Function	Reset value
31:0	See USBDevIntSt register bit allocation.	0 - No external interrupt is generated. 1 - Enables an external interrupt to be generated (Fast or Slow) when the corresponding bit in the USBDevIntSt register is set. If this bit is not set, no external interrupt is generated, but the interrupt status will be held in the interrupt status register.	0x0

3.6.3 USB Device Interrupt Clear Register - (USBDevIntClr - 0x3102 0208, C)

Setting a particular bit to '1' in this register causes the clearing of the interrupt by resetting the corresponding bit in the interrupt status register. Writing a '0' will not have any influence. The bit field definition is same as the device interrupt status register as shown in [Table 10–144](#).

Table 146. USB Device Interrupt Clear Register - (USBDevIntClr - 0x3102 0208, C)

Bits	Name	Function	Reset value
31:0	See USBDevIntSt register bit allocation.	0 - No effect. 1 - The corresponding bit in the USBDevIntSt register is cleared.	0x0

3.6.4 USB Device Interrupt Set Register - (USBDevIntSet - 0x3102 020C, S)

Setting a particular bit to '1' in this register will set the corresponding bit in the interrupt status register. Writing a '0' will not have any influence. The bit field definition is same as the device interrupt status register as shown in [Table 10–144](#).

Table 147. USB Device Interrupt Set Register - (USBDevIntSet - 0x3102 020C, S)

Bits	Name	Function	Reset value
31:0	See USBDevIntSt register bit allocation.	0 - No effect. 1 - The corresponding bit in the USBDevIntSt register is set.	0x0

3.6.5 USB Device Interrupt Priority Register - (USBDevIntPri - 0x3102 022C, W)

If the corresponding bit is set to '1', the corresponding interrupt will be routed to the high priority interrupt line. If the bit is '0' the interrupt will be routed to the low priority interrupt line. Only one of the EP_FAST or FRAME can be routed to the high priority interrupt line. Setting both bits at the same time is not allowed. If the software attempts to set both the bits to '1', none of them will be routed to the high priority interrupt line. All enabled endpoint interrupts will be routed to the low priority interrupt line if the EP_FAST bit is set to 0, irrespective of the Endpoint Interrupt Priority register setting.

Table 148. USB Device Interrupt Priority Register - (USBDevIntPri - 0x3102 022C, W)

Bits	Name	Function	Reset value
7:2	-	Reserved	0x0
1	EP_FAST	0 - EP_FAST interrupt is routed to the low priority interrupt line. 1 - EPFAST interrupt is routed to the high priority interrupt line. This is the fast interrupt transfer for the endpoint. If an Endpoint Interrupt Priority register bit is set, the endpoint interrupt will be routed to the high priority interrupt line.	0
0	FRAME	0 - FRAME interrupt is routed to the low priority interrupt line. 1 - FRAME interrupt is routed to the high priority interrupt line. The frame interrupt occurs every 1 ms. This is to be used in an isochronous packet transfer.	0

3.6.6 USB Endpoint Interrupt Status Register - (USBEpIntSt - 0x3102 0230, R)

Each physical non-isochronous endpoint is represented by one bit in this register to indicate that it has generated the interrupt. All non-isochronous OUT endpoints give an interrupt when they receive a packet without any error. All non-isochronous IN endpoints will give an interrupt when a packet is successfully transmitted or a NAK handshake is sent on the bus provided that the interrupt on NAK feature is enabled. Isochronous endpoint transfer takes place with respect to frame interrupt.

Table 149. USB Endpoint Interrupt Status Register - (USBEpIntSt - 0x3102 0230, R)

Bits	Name	Function	Reset value
31	EP 15TX	Endpoint 15, Data Transmitted Interrupt bit or sent a NAK.	0
30	EP 15RX	Endpoint 15, Data Received Interrupt bit.	0
29	EP 14TX	Endpoint 14, Data Transmitted Interrupt bit or sent a NAK.	0
28	EP 14RX	Endpoint 14, Data Received Interrupt bit.	0
27	EP 13TX	Endpoint 13, Data Transmitted Interrupt bit or sent a NAK.	0
26	EP 13RX	Endpoint 13, Data Received Interrupt bit.	0
25	EP 12TX	Endpoint 12, Isochronous endpoint.	NA
24	EP 12RX	Endpoint 12, Isochronous endpoint.	NA
23	EP 11TX	Endpoint 11, Data Transmitted Interrupt bit or sent a NAK.	0
22	EP 11RX	Endpoint 11, Data Received Interrupt bit.	0
21	EP 10TX	Endpoint 10, Data Transmitted Interrupt bit or sent a NAK.	0
20	EP 10RX	Endpoint 10, Data Received Interrupt bit.	0
19	EP 9TX	Endpoint 9, Isochronous endpoint.	NA
18	EP 9RX	Endpoint 9, Isochronous endpoint.	NA
17	EP 8TX	Endpoint 8, Data Transmitted Interrupt bit or sent a NAK.	0
16	EP 8RX	Endpoint 8, Data Received Interrupt bit.	0
15	EP 7TX	Endpoint 7, Data Transmitted Interrupt bit or sent a NAK.	0
14	EP 7RX	Endpoint 7, Data Received Interrupt bit.	0
13	EP 6TX	Endpoint 6, Isochronous endpoint.	NA
12	EP6 RX	Endpoint 6, Isochronous endpoint.	NA
11	EP 5TX	Endpoint 5, Data Transmitted Interrupt bit or sent a NAK.	0
10	EP 5RX	Endpoint 5, Data Received Interrupt bit.	0

Table 149. USB Endpoint Interrupt Status Register - (USBEPIntSt - 0x3102 0230, R) ...continued

Bits	Name	Function	Reset value
9	EP 4TX	Endpoint 4, Data Transmitted Interrupt bit or sent a NAK.	0
8	EP 4RX	Endpoint 4, Data Received Interrupt bit.	0
7	EP 3TX	Endpoint 3, Isochronous endpoint.	NA
6	EP 3RX	Endpoint 3, Isochronous endpoint.	NA
5	EP 2TX	Endpoint 2, Data Transmitted Interrupt bit or sent a NAK.	0
4	EP 2RX	Endpoint 2, Data Received Interrupt bit.	0
3	EP 1TX	Endpoint 1, Data Transmitted Interrupt bit or sent a NAK.	0
2	EP 1RX	Endpoint 1, Data Received Interrupt bit.	0
1	EP 0TX	Endpoint 0, Data Transmitted Interrupt bit or sent a NAK.	0
0	EP 0RX	Endpoint 0, Data Received Interrupt bit.	0

3.6.7 USB Endpoint Interrupt Enable Register - (USBEPIntEn - 0x3102 0234, R/W)

Setting bits in this register will cause the corresponding bit in the interrupt status register to transfer its status to the device interrupt status register. Either the EP_FAST or EP_SLOW bit will be set depending on the value in the endpoint interrupt priority register. Setting this bit to '1' implies operating in the slave mode. The bit field definition is the same as the Endpoint Interrupt Status Register as shown in [Table 10-149](#).

Table 150. USB Endpoint Interrupt Enable Register - (USBEPIntEn - 0x3102 0234, R/W)

Bits	Name	Function	Reset value
31:0	See USBEPIntSt register bit allocation.	0 - No effect. 1 - The corresponding bit in the USBEPIntSt register transfers its status to the USBDevIntSt register. Setting any bit to 1 in the USBEPIntEn register implies operating in Slave mode.	0x0

3.6.8 USB Endpoint Interrupt Clear Register - (USBEPIntClr - 0x3102 0238, C)

Writing a '1' to this bit clears the bit in the endpoint interrupt status register. Writing 0 will not have any impact. When the endpoint interrupt is cleared from this register, the hardware will clear the CDFULL bit in the device interrupt status register. On completion of this action, the CDFULL bit will be set and the command data register will have the status of the endpoint.

Endpoint interrupt register and CDFULL bit of Device Interrupt status register are related through clearing of interrupts in USB clock domain. Whenever software attempts to clear a bit of Endpoint interrupt register, hardware will clear CDFULL bit before it starts issuing "Select Endpoint/Clear Interrupt" command (refer to [Section 10-3.8.1.11](#)) and sets the same bit when command data is available for reading. Software will have to wait for CDFULL bit to be set to '1' (whenever it expects data from hardware) before it can read Command Data register.

Remark: Even though endpoint interrupts are "accessible" via either registers or protocol engine commands, keep in mind that the register is an "image" of what is happening at the protocol engine side. Therefore read the endpoint interrupt status register to know which endpoint has to be served, and then select one of two ways to clear the endpoint interrupt:

- Send the "SelectEndpoint/ClearInterrupt" command to the protocol engine in order to properly clear the interrupt, then read the CMD_DATA to get the status of the interrupt when CDFULL bit is set.

- Write a 1 to the corresponding bit in the endpoint interrupt clear register, wait until CDFULL bit is set, then read the CMD_DATA to get the status of the interrupt.

For bit definition of endpoint status read from command data register, refer to [Table 10–190](#). Each physical endpoint has its own reserved bit in this register. The bit field definition is the same as the Endpoint Interrupt Status Register as shown in [Table 10–149](#).

Table 151. USB Endpoint Interrupt Clear Register - (USBEpIntClr - 0x3102 0238, C)

Bits	Name	Function	Reset value
31:0	See USBEpIntSt register bit allocation.	0 - No effect. 1 - Clears the corresponding bit in the USBEpIntSt register.	0x0

Software is allowed to issue clear operation on multiple endpoints as well. However, only the status of the endpoint with the lowest number can be read at the end of this operation. Therefore, if the status of all the endpoints is needed, clearing the interrupts on multiple endpoints at once is not recommended. This is explained further in the following example:

Assume bits 5 and 10 of Endpoint Interrupt Status register are to be cleared. The software can issue Clear operation by writing in Endpoint Interrupt Clear register (with corresponding bit positions set to '1'). Then hardware will do the following:

1. Clears CDFULL bit of Device Interrupt Status register.
2. Issues 'Select Endpoint/Interrupt Clear' command for endpoint 10.
3. Waits for command to get processed and CDFULL bit to get set.
4. Now, endpoint status (for endpoint 10) is available in Command Data register (note that hardware does not wait for the software to finish reading endpoint status in Command Data register for endpoint 10).
5. Clears CDFULL bit again.
6. Issues 'Select Endpoint/Interrupt Clear' command for endpoint 5.
7. Waits for command to get processed and CDFULL bit to get set.
8. Now, endpoint status (for endpoint 5) is available in Command Data register for the software to read.

3.6.9 USB Endpoint Interrupt Set Register - (USBEpIntSet - 0x3102 023C, S)

Writing a '1' to a bit in this register sets the corresponding bit in the endpoint interrupt status register. Writing 0 will not have any impact. Each endpoint has its own bit in this register. The bit field definition is the same as the Endpoint Interrupt Status Register as shown in [Table 10–149](#).

Table 152. USB Endpoint Interrupt Set Register - (USBEpIntSet - 0x3102 023C, S)

Bits	Name	Function	Reset value
31:0	See USBEpIntSt register bit allocation.	0 - No effect. 1 - Sets the corresponding bit in the USBEpIntSt register.	0x0

3.6.10 USB Endpoint Interrupt Priority Register - (USBEpIntPri - 0x3102 0240, W)

This register determines whether the interrupt has to be routed to the fast interrupt line (EP_FAST) or to the slow interrupt line (EP_SLOW). If set 1 the interrupt will be routed to the fast interrupt bit of the device status register. Otherwise it will be routed to the slow endpoint interrupt bit. Note that routing of multiple endpoints to EP_FAST or EP_SLOW is

possible. The bit field definition is the same as the Endpoint Interrupt Status Register as shown in [Table 10–149](#). The Device Interrupt Priority register may override this register setting. Refer to [Section 10–3.6.5](#) for more details.

Table 153. USB Endpoint Interrupt Priority Register - (USBEpIntPri - 0x3102 0240, W)

Bits	Name	Function	Reset value
31:0	See USBEpIntSt register bit allocation.	0 - The corresponding interrupt will be routed to the slow endpoint interrupt bit in the USBEpIntSet register. 1 - The corresponding interrupt will be routed to the fast endpoint interrupt bit in the USBEpIntSet register.	0x0

3.6.11 USB Realize Endpoint Register - (USBReEp - 0x3102 0244, R/W)

Though fixed-endpoint configuration implements 32 endpoints, it is not a must that all have to be used. If the endpoint has to be used, it should have buffer space in the EP_RAM. The EP_RAM space can be optimized by realizing a subset of endpoints. This is done through programming the Realize Endpoint register. Each physical endpoint has one bit as shown in [Table 10–154](#). The USBReEp is a R/W register.

Table 154. USB Realize Endpoint Register - (USBReEp - 0x3102 0244, R/W)

Bits	Name	Function	Reset value
0	EP0	Control endpoint is realized by default after power on.	1
1	EP1	Control endpoint is realized by default after power on.	1
31:2	EPxx	Where xx can take a value between 2 and 31. 0 => endpoint unrealized. 1 => endpoint realized.	0

At power on only the default control endpoint is realized. Other endpoints if required have to be realized by programming the corresponding bit in the Realize Endpoint register. Realization of endpoints is a multi-cycle operation. The pseudo code of endpoint realization is shown below.

```
for every endpoint to be realized,
{
    /* OR with the existing value of the register */
    RealizeEndpointRegister |= (UInt32) ((0x1 << endpt));
    /* Load endpoint index Reg with physical endpoint no.*/
    EndpointIndexRegister = (UInt32) endpointnumber;

    /* load the max packet size Register */
    Endpoint MaxPacketSizeReg = PacketSize;

    /* check whether the EP_RLSED bit is set */
    while (!(DeviceInterruptStatusReg & PFL_HW_EP_RLSED_BIT))
    {
        /* wait till endpoint realization is complete */
    }
    /* Clear the EP_RLSED bit */
    Clear EP_RLSED bit in DeviceInterrupt Status Reg;
}
```

Device will not respond to any tokens to the un-realized endpoint. 'Configure Device' command can only enable all realized and enabled endpoints. See [Section 10–3.8.1.2](#) for more details.

3.7 EP_RAM requirements

The USB device controller uses dedicated RAM based FIFO (EP_RAM) as an endpoint buffer. Each endpoint has a reserved space in the EP_RAM. The EP_RAM size requirement for an endpoint depends on its Maxpacket size and whether it is double buffered or not. 32 words of EP_RAM are used by the device for storing the buffer pointers. The EP_RAM is word aligned but the Maxpacket size is defined in bytes hence the RAM depth has to be adjusted to the next word boundary. Also, each buffer has one word header showing the size of the packet length received.

EP_RAM size (in words) required for the physical endpoint can be expressed as

$$epramsize = ((Maxpacket size + 3)/4 + 1) \times db_status$$

where db_status = 1 for single buffered endpoint and 2 for double buffered endpoint.

Since all the realized endpoints occupy EP_RAM space, the total EP_RAM requirement is

$$\text{Total EP_RAM size} = 32 + \sum_{(n+0)}^N epramsize(n) \quad (6)$$

where N is the number of realized endpoints. Total EP_RAM size should not exceed 4K bytes (1K words).

EP_RAM can be accessed by 3 sources, which are SIE, DMA engine and CPU. Among them, CPU has the highest priority followed by the SIE and DMA engine. The DMA engine has got the lowest priority. Then again, under the above mentioned 3 request sources, write request has got higher priority than read request. Typically, CPU does single word read or write accesses, the DMA logic can do 32-byte burst access. The CPU and DMA engine operates at a higher clock frequency as compared to the SIE engine. The CPU cycles are valuable and so the CPU is given the highest priority. The CPU clock frequency is higher than the SIE operating frequency (12 MHz). The SIE will take 32 clock cycles for a word transfer. In general, this time translates to more than 32 clock cycles of the CPU in which it can easily do several accesses to the memory.

3.7.1 USB Endpoint Index Register - (USBEpInd - 0x3102 0248, W)

Each endpoint has a register carrying the Maxpacket size value for that endpoint. This is in fact a register array. Hence before writing, this register has to be 'addressed' through the Endpoint Index register.

The endpoint index register will hold the physical endpoint number. Writing into the Maxpacket size register will set the array element pointed by the Endpoint Index register.

Table 155. USB Endpoint Index Register - (USBEpInd - 0x3102 0248, W)

Bits	Name	Function	Reset value
31:5	-	Reserved.	NA
4:0	Phy endpoint	The physical endpoint number (0-31).	0x0

3.7.2 USB MaxPacketSize Register - (USBMaxPSize - 0x3102 024C, R/W)

At power on control endpoint is assigned the Maxpacketsize of 8 bytes. Other endpoints are assigned 0. Modifying MaxPacketSize register content will cause the buffer address of the internal RAM to be recalculated. This is essentially a multi-cycle process. At the end of it, the EP_RLZED bit will be set in the Device Interrupt Status register. MaxPacket Register Array Indexing is shown in [Figure 10–28](#).

Table 156. USB MaxPacketSize Register - (USBMaxPSize - 0x3102 024C, R/W)

Bits	Name	Function	Reset value
31:10	-	Reserved.	NA
9:0	MaxPacketSize	The maximum packet size value.	0x8

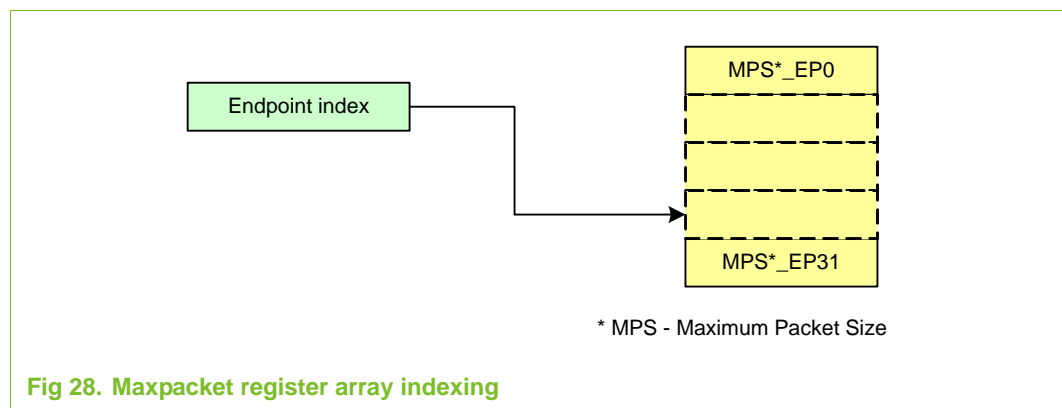


Fig 28. Maxpacket register array indexing

3.7.3 USB Receive Data Register - (USBRxData - 0x3102 0218, R)

For an OUT transaction, CPU reads the endpoint data from this register. Data from the endpoint RAM is fetched and filled in this register. There is no interrupt when the register is full.

Table 157. USB Receive Data Register - (USBRxData - 0x3102 0218, R)

Bits	Name	Function	Reset value
31:0	Receive data	Receive Data.	0x0

3.7.4 USB Receive Packet Length Register - (USBRxPLen - 0x3102 0220, R)

This register gives the number of bytes remaining in the EP_RAM for the current packet being transferred and whether the packet is valid or not. This register will get updated at every word that gets transferred to the system. Software can use this register to get the number of bytes to be transferred. When the number of bytes reaches zero, an end of packet interrupt is generated.

Table 158. USB Receive Packet Length Register - (USBRxPLen - 0x3102 0220, R)

Bits	Name	Function	Reset value
31:12	-	Reserved.	NA
11	PKT_RDY	Packet length field in the register is valid and packet is ready for reading.	0
10	DV	'1' - Data is valid; '0' - Data is invalid. Non-isochronous end point will not raise an interrupt when an erroneous data packet is received. But invalid data packet can be produced with bus reset. For isochronous endpoint, data transfer will happen even if an erroneous packet is received. In this case DV bit will not be set for the packet.	0
9:0	PKT_LNGTH	The remaining amount of data in bytes still to be read from the RAM.	0x0

3.7.5 USB Transmit Data Register - (USBTxData - 0x3102 021C, W)

For an IN transaction the CPU writes the data into this register. This data will be transferred into the EP_RAM before the next writing occurs. There is no interrupt when the register is empty.

Table 159. USB Transmit Data Register - (USBTxData - 0x3102 021C, W)

Bits	Name	Function	Reset value
31:0	Transmit Data	Transmit Data.	0x0

3.7.6 USB Transmit Packet Length Register - (USBTxPLen - 0x3102 0224, W)

The software should first write the packet length (\leq Maximum Packet Size) in the Transmit Packet Length register followed by the data write(s) to the Transmit Data register. This register counts the number of bytes transferred from the CPU to the EP_RAM. The software can read this register to determine the number of bytes it has transferred to the EP_RAM. After each write to the Transmit Data register the hardware will decrement the contents of the Transmit Packet Length register. For lengths larger than the Maximum Packet Size, the software should submit data in steps of Maximum Packet Size and the remaining extra bytes in the last packet. For example, if the Maximum Packet Size is 64 bytes and the data buffer to be transferred is of length 130 bytes, then the software submits 64 bytes packet twice followed by 2 bytes in the last packet. So, a total of 3 packets are sent on USB.

Table 160. USB Transmit Packet Length Register - (USBTxPLen - 0x3102 0224, W)

Bits	Name	Function	Reset value
31:10	-	Reserved.	NA
9:0	PKT_LNGTH	The remaining amount of data in bytes to be written to the EP_RAM.	0x0

3.7.7 USB Control Register - (USBCtrl - 0x3102 0228, R/W)

This register controls the data transfer operation of the USB device.

Table 161. USB Control Register - (USBCtrl - 0x3102 0228, R/W)

Bits	Name	Function	Reset value
31:6	-	Reserved.	NA
5:2	LOG_ENDPOINT	Logical Endpoint Number.	0x0
1	WR_EN	Write Enable; 1 - Write mode is enabled; 0 - disabled	0
0	RD_EN	Read Enable; 1 - Read mode is enabled; 0 - disabled	0

3.7.8 Slave mode data transfer

When the software wants to read the data from an endpoint buffer it should make the Read Enable bit high and should program the LOG_ENDPOINT in the USB control register. The control logic will first fetch the packet length to the receive packet length register. The PKT_RDY bit ([Table 10–158](#)) in the packet length register is set along with this. Also the hardware fills the receive data register with the first word of the packet.

The software can now start reading the Receive Data register. When the end of packet is reached the Read Enable bit will be disabled by the control logic and RxENDPKT bit is set in the Device interrupt status register. The software should issue a Clear Buffer ([Section 10–3.8.1.13](#)) command. The endpoint is now ready to accept the next packet.

If the software makes the Read Enable bit low midway, the reading will be terminated. In this case the data will remain in the EP_RAM. When the Read Enable signal is made high again for this endpoint, data will be read from the beginning.

For writing data to an endpoint buffer, Write Enable bit should be made high and software should write to the Tx Packet Length register the number of bytes it is going to send in the packet. It can then write data continuously in the Transmit Data register.

When the control logic receives the number of bytes programmed in the Tx Packet length register, it will reset the Write Enable bit. The TxENDPKT bit is set in the Device interrupt status register. The software should issue a Validate Buffer ([Section 10–3.8.1.14](#)) command. The endpoint is now ready to send the packet. If the software resets this bit midway, writing will start again from the beginning.

A synchronization mechanism is used to transfer data between the two clock domains i.e. AHB slave clock and the USB bit clock at 12 MHz. This synchronization process takes up to 5 clock cycles of the slow clock (i.e. 12 MHz) for reading/writing from/to a register before the next read/write can happen. The AHB HREADY output from the USB device is driven appropriately to take care of the timing.

Both Read Enable and Write Enable bits can be high at the same time for the same logical endpoint. The interleaved read and write operation is possible.

3.7.9 USB Command Code Register - (USBCmdCode - 0x3102 0210, W)

This register is used for writing the commands. The commands written here will get propagated to the Protocol Engine and will be executed there. After executing the command, the register will be empty, and the “CCEMTY” bit of the Interrupt status register is set high. See [Section 10–3.8 “Protocol engine command description” on page 171](#)

Table 162. USB Command Code Register - (USBCmdCode - 0x3102 0210, W)

Bits	Name	Function	Reset value
31:24	-	Reserved.	0x0
23:16	CMD_CODE	The code for the command.	0x0
15:8	CMD_PHASE	The command phase.	0x0
7:0	-	Reserved.	0x0

3.7.10 USB Command Data Register - (USBCmdData - 0x3102 0214, R)

This is a read-only register which will carry the data retrieved after executing a command. When the data are ready to read, the “CD_FULL” bit of the device interrupt status register is set. The CPU can poll this bit or enable an interrupt corresponding to this to sense the arrival of the data. The data is always one-byte wide. See [Section 10–3.8 “Protocol engine command description” on page 171](#).

Table 163. USB Command Data Register - (USBCmdData - 0x3102 0214, R)

Bits	Name	Function	Reset value
31:8	-	Reserved.	0x0
7:0	Command Data	Command Data.	0x0

3.7.11 USB DMA Request Status Register - (USBDMARSt - 0x3102 0250, R)

This register is set by the hardware whenever a packet (OUT) or token (IN) is received on a realized endpoint. It serves as a flag for DMA engine to start the data transfer if the DMA is enabled for this particular endpoint. Each endpoint has one reserved bit in this register. Hardware sets this bit when a realized endpoint needs to be serviced through DMA. Software can read the register content. DMA cannot be enabled for control endpoints (EP0 and EP1). For easy readability the control endpoint is shown in the register contents.

Table 164. USB DMA Request Status Register - (USBDMARSt - 0x3102 0250, R)

Bits	Name	Function	Reset value
31	EP31	Endpoint 31	0
30:2	EPxx	Where xx can take a value between 2 and 30. 0 => No request 1 => DMA requested	0x0
1	EP1	Control endpoint IN (DMA cannot be enabled for this endpoint).	0
0	EP0	Control endpoint OUT (DMA cannot be enabled for this endpoint).	0

3.7.12 USB DMA Request Clear Register - (USBDMARClr - 0x3102 0254, C)

Writing ‘1’ into the register will clear the corresponding interrupt from the DMA request register. Writing ‘0’ will not have any effect. After a packet transfer, the hardware clears the particular bit in DMA Request Status register. Software does not need to clear this bit. The bit field definition is same as the DMA Request Status Register as shown in [Table 10–164](#).

Table 165. USB DMA Request Clear Register - (USBDMARClr - 0x3102 0254, C)

Bits	Name	Function	Reset value
31	EP31	Endpoint 31	0
30:2	EPxx	Where xx can take a value between 2 and 30. 0 => No effect 1 => Clear the corresponding interrupt from the DMA register.	0x0
1	EP1	Control endpoint IN (DMA cannot be enabled for this endpoint and the EP1 bit must be 0).	0
0	EP0	Control endpoint OUT (DMA cannot be enabled for this endpoint and the EP0 bit must be 0).	0

The software should not clear the DMA request clear bit while the DMA operation is in progress. But if this bit is cleared, the behavior of the DMA engine will depend on at what time the clearing is done. There can be more than one DMA requests pending at any given time. The DMA engine processes these requests serially (i.e starting from EP2 to EP31). If the DMA request for a particular endpoint is cleared before DMA operation has started for that request, then the DMA engine will never know about the request and no DMA operation on that endpoint will be done (till the next request appears). On the other hand, if the DMA request for a particular endpoint is cleared after the DMA operation corresponding to that request has begun, it does not matter even if the request is cleared, since the DMA engine has registered the endpoint number internally and will not sample the same request before finishing the current DMA operation.

3.7.13 USB DMA Request Set Register - (USBDMARSet - 0x3102 0258, S)

Writing '1' into the register will set the corresponding interrupt from the DMA request register. Writing '0' will not have any effect. The bit field definition is same as the DMA Request Status Register as shown in [Table 10–164](#).

Table 166. USB DMA Request Clear Register - (USBDMARClr - 0x3102 0254, C)

Bits	Name	Function	Reset value
31	EP31	Endpoint 31	0
30:2	EPxx	Where xx can take a value between 2 and 30. 0 => No effect 1 => Set the corresponding interrupt from the DMA register.	0x0
1	EP1	Control endpoint IN (DMA cannot be enabled for this endpoint and the EP1 bit must be 0).	0
0	EP0	Control endpoint OUT (DMA cannot be enabled for this endpoint and the EP0 bit must be 0).	0

The "DMA Request Set Register" is normally used for the test purpose. It is also useful in the normal operation mode to avoid a "lock" situation if the DMA is programmed after that the USB packets are already received. Normally the arrival of a packet generates an interrupt when it is completely received. This interrupt is used by the DMA to start working. This works fine as long as the DMA is programmed before the arrival of the packet (2 packets - if double buffered). If the DMA is programmed "too late", the interrupts were already generated in slave mode (but not handled because the intention was to use the

DMA) and when the DMA is programmed no interrupts are generated to "activate" it. In this case the usage of the DMA Request Set Register is useful to manually start the DMA transfer.

3.7.14 USB UDCA Head Register - (USBUDCAH - 0x3102 0280, R/W)

The UDCA (USB Device Communication Area) Head register maintains the address where UDCA is allocated in the USB RAM (Figure 10–29). The USB RAM is part of the system memory which is used for the USB purposes. It is located at address 0x7FD0 0000 and is 16K in size. Note, however, DMA on endpoint 0 is not feasible. The UDCA has to be aligned to 128-byte boundary and should be of size 128 bytes (32 words that correspond to 32 physical endpoints). Each word can point to a DMA descriptor of a physical endpoint or can point to NULL (i.e. zero value) when the endpoint is not enabled for DMA operation. This implies that the DMA descriptors need to be created only for the DMA enabled endpoints. Gaps can be there while realizing the endpoints and there is no need to keep dummy DMA descriptors. The DMA engine will not process the descriptors of the DMA disabled endpoints. The reset value for this register is 0. Refer to Section 10–3.9 “DMA descriptor” and Section 10–4 “DMA operation” on page 183 for more details on DMA descriptors.

Table 167. USB UDCA Head Register - (USBUDCAH - 0x3102 0280, R/W)

Bits	Name	Function	Reset value
31:7	UDCA Header	Start address of the UDCA Header.	0x0
6:0	-	UDCA header is aligned in 128-byte boundaries.	0x0

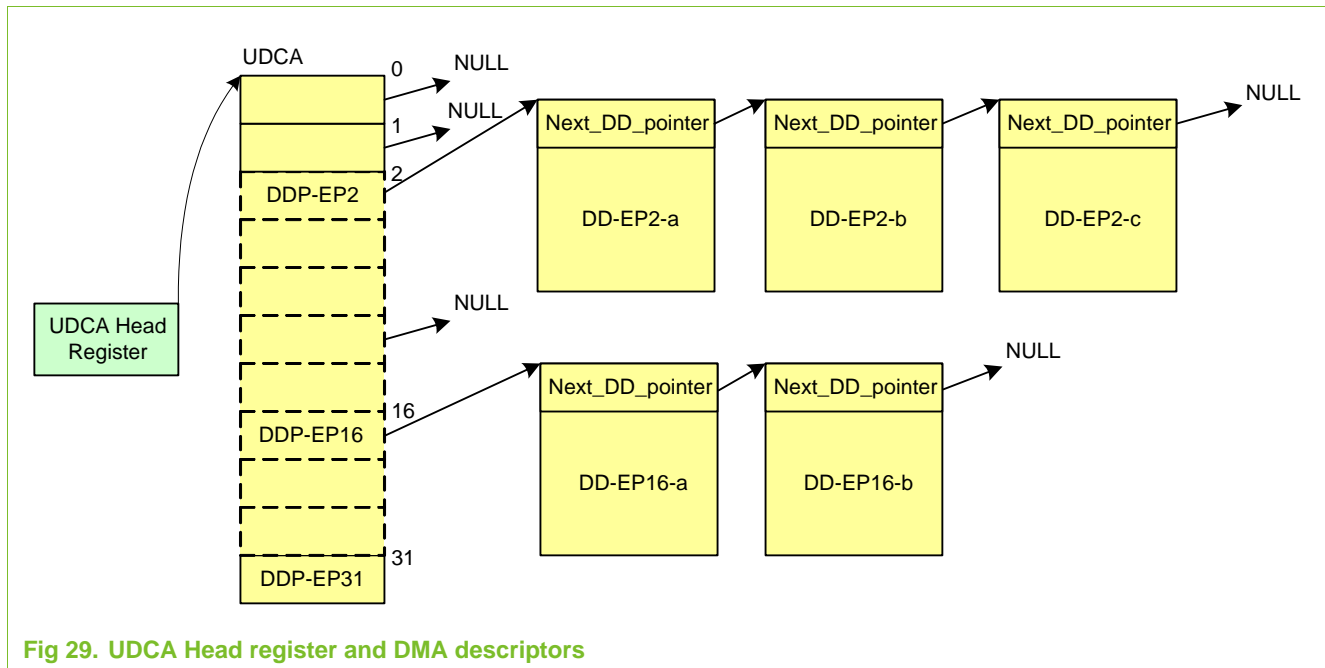


Fig 29. UDCA Head register and DMA descriptors

3.7.15 USB EP DMA Status register - (USBEPDMASt - 0x3102 0284, R)

This register indicates whether the DMA for a particular endpoint is enabled or disabled. Each endpoint has one bit assigned in the EP DMA Status register. DMA transfer can start only if this bit is set. Hence, it is referred as DMA_ENABLE bit. If the bit in the EP DMA Status register is made '0' (by writing into EP DMA Disable register) in between a packet

transfer, the current packet transfer will still be completed. After the current packet, DMA gets disabled. In other words, the packet transfer when started will end unless an error condition occurs. When error condition is detected the bit will be reset by the hardware.

Software does not have direct write permission to this register. It has to set the bit through EP DMA Enable register. Resetting of the bit is done through 'EP DMA Disable' register.

Table 168. USB EP DMA Status register - (USBEPDMASt - 0x3102 0284, R)

Bits	Name	Function	Reset value
31	EP31	Endpoint 31.	0
xx	EPxx	Where xx can take a value between 2 and 31. 0 => The DMA for Endpoint EPxx is disabled 1 => The DMA for Endpoint EPxx is enabled	0x0
1	EP1	Control endpoint IN (DMA cannot be enabled for this endpoint and the EP0 must be 0).	0
0	EP0	Control endpoint OUT (DMA cannot be enabled for this endpoint and the EP1 bit must be 0).	0

3.7.16 USB EP DMA Enable Register - (USBEPDMAEn - 0x3102 0288, S)

Writing '1' to this register will enable the DMA operation for the corresponding endpoint. Writing '0' will not have any effect. The bit field definition is same as the EP_DMA Status Register as shown in [Table 10–168](#).

Table 169. USB EP DMA Enable Register - (USBEPDMAEn - 0x3102 0288, S)

Bits	Name	Function	Reset value
31	EP31	Endpoint 31.	0
xx	EPxx	Where xx can take a value between 2 and 31. 0 => No effect. 1 => Enable DMA operation for endpoint EPxx.	0x0
1	EP1	Control endpoint IN (DMA cannot be enabled for this endpoint and the EP0 must be 0).	0
0	EP0	Control endpoint OUT (DMA cannot be enabled for this endpoint and the EP1 bit must be 0).	0

3.7.17 USB EP DMA Disable Register - (USBDEpDMADis - 0x3102 028C, C)

Writing '1' to this register will disable the DMA operation for the corresponding endpoint. Writing '0' will have the effect of resetting the DMA_PROCEED flag. The bit field definition is same as the EP_DMA Status Register as shown in [Table 10–168](#).

Table 170. USB EP DMA Disable Register - (USBDEpDMADis - 0x3102 028C, C)

Bits	Name	Function	Reset value
31	EP31	Endpoint 31.	0
xx	EPxx	Where xx can take a value between 2 and 31. 0 => No effect. 1 => Disable DMA operation for endpoint EPxx.	0x0
1	EP1	Control endpoint IN (DMA cannot be enabled for this endpoint and the EP0 must be 0).	0
0	EP0	Control endpoint OUT (DMA cannot be enabled for this endpoint and the EP1 bit must be 0).	0

3.7.18 USB DMA Interrupt Status Register - (USBDMIntSt - 0x3102 0290, R)

Bit 0 “End of Transfer Interrupt” will be set by hardware if any of the 32 bits in the End Of Transfer Interrupt Status register is ‘1’. The same logic applies for Bit 1 and 2 of the DMA Interrupt Status register. The hardware checks the 32 bits of New DD Request Interrupt Status register to set/clear the bit 1 of DMA Interrupt Status register and similarly the 32 bits of System Error Interrupt Status register to set/clear the bit 2 of DMA Interrupt Status register.

Table 171. USB DMA Interrupt Status Register - (USBDMIntSt - 0x3102 0290, R)

Bits	Name	Function	Reset value
31:3	-	Reserved.	0x0
2	System_Error_Interrupt	System error interrupt. 0 - All bits in the USBSysErrIntSt register are 0. 1 - At least one bit in the USBSysErrIntSt register is set.	0
1	New DD Request Interrupt	New DD Request Interrupt. 0 - All bits in the USBNDDRIntSt are 0. 1 - At least one bit in the USBNDDRIntSt is set.	0
0	End of Transfer Interrupt	End of Transfer Interrupt. 0 - All bits in the USBSysErrIntSt are 0. 1 - At least one bit in the USBSysErrIntSt is set.	0

3.7.19 USB DMA Interrupt Enable Register - (USBDMIntEn - 0x3102 0294, R/W)

Setting the bit in this register will cause external interrupt to happen for the bits set in the USB DMA Interrupt Status register. The bit field definition is same as the DMA Interrupt Status Register as shown in [Table 10–171](#).

Table 172. USB DMA Interrupt Enable Register - (USBDMIntEn - 0x3102 0294, R/W)

Bits	Name	Function	Reset value
31:3	-	Reserved.	0x0
2	System_Error_Interrupt	System error interrupt. 0 - The System Error Interrupt is disabled. 1 - The System Error Interrupt is enabled.	0
1	New DD Request Interrupt	New DD Request Interrupt. 0 - The New DD Request interrupt is disabled. 1 - The New DD Request Interrupt is enabled.	0
0	End of Transfer Interrupt	End of Transfer Interrupt. 0 - The End of Transfer Interrupt is disabled. 1 - The End of transfer Interrupt is enabled.	0

3.7.20 USB New DD Request Interrupt Status Register - (USBNDDRIntSt - 0x3102 02AC, R)

This interrupt bit is set when a transfer is requested from the USB device and no valid DD is detected for this endpoint.

Table 173. USB New DD Request Interrupt Status Register - (USBNDDRIntSt - 0x3102 02AC, R)

Bits	Name	Function	Reset value
31	EP31	Endpoint 31.	0
xx	EPxx	Where xx can take a value between 1 and 30. 0 => No new DD request for Endpoint xx. 1 => New DD Request for Endpoint xx.	0x0
0	EP0	Endpoint 0.	0

3.7.21 USB New DD Request Interrupt Clear Register - (USBNDDRIntClr - 0x3102 02B0, C)

Writing '1' into the register will clear the corresponding interrupt from the status register. Writing '0' will not have any effect. The bit field definition is same as the New DD Request Interrupt Status Register as shown in [Table 10–173](#).

Table 174. USB New DD Request Interrupt Clear Register - (USBNDDRIntClr - 0x3102 02B0, C)

Bits	Name	Function	Reset value
31	EP31	Endpoint 31.	0
xx	EPxx	Where xx can take a value between 1 and 30. 0 => No effect. 1 => Clear the EPxx new DD Interrupt request in the USBNDDRIntSt register.	0x0
0	EP0	Endpoint 0.	0

3.7.22 USB New DD Request Interrupt Set Register - (USBNDDRIntSet - 0x3102 02B4, S)

Writing '1' into the register will set the corresponding interrupt from the status register. Writing '0' will not have any effect. The bit field definition is same as the New DD Request Interrupt Status Register as shown in [Table 10–173](#).

Table 175. USB New DD Request Interrupt Set Register - (USBNDDRIntSet - 0x3102 02B4, S)

Bits	Name	Function	Reset value
31	EP31	Endpoint 31.	0
xx	EPxx	Where xx can take a value between 1 and 30. 0 => No effect. 1 => Set the EPxx new DD Interrupt request in the USBNDDRIntSt register.	0x0
0	EP0	Endpoint 0.	0

3.7.23 USB End Of Transfer Interrupt Status Register - (USBEOtIntSt - 0x3102 02A0, R)

When the DMA transfer completes for the descriptor either normally (descriptor is retired) or because of an error this interrupt occurs. The cause of the interrupt generation will be recorded in the DD_Status field of the descriptor. The bit field definition is same as the New DD Request Interrupt Status Register as shown in [Table 10–173](#).

Table 176. USB End Of Transfer Interrupt Status Register - (USBEoTIntSt - 0x3102 02A0, R)

Bits	Name	Function	Reset value
31	EP31	Endpoint 31.	0
xx	EPxx	Where xx can take a value between 1 and 30. 0 => There is no End of Transfer Interrupt request for endpoint xx. 1 => There is an End of Transfer Interrupt request for endpoint xx.	0x0
0	EP0	Endpoint 0.	0

3.7.24 USB End Of Transfer Interrupt Clear Register - (USBEoTIntClr - 0x3102 02A4, C)

Writing '1' into the register will clear the corresponding interrupt from the status register. Writing '0' will not have any effect. The bit field definition is same as the New DD Request Interrupt Status Register as shown in [Table 10–173](#).

Table 177. USB End Of Transfer Interrupt Clear Register - (USBEoTIntClr - 0x3102 02A4, C)

Bits	Name	Function	Reset value
31	EP31	Endpoint 31.	0
xx	EPxx	Where xx can take a value between 1 and 30. 0 => No effect. 1 => Clear the EPxx End of Transfer Interrupt request in the USBEoTIntSt register.	0x0
0	EP0	Endpoint 0.	0

3.7.25 USB End Of Transfer Interrupt Set Register - (USBEoTIntSet - 0x3102 02A8, S)

Writing '1' into the register will set the corresponding interrupt from the status register. Writing '0' will not have any effect. The bit field definition is same as the New DD Request Interrupt Status Register as shown in [Table 10–173](#).

Table 178. USB End Of Transfer Interrupt Set Register - (USBEoTIntSet - 0x3102 02A8, S)

Bits	Name	Function	Reset value
31	EP31	Endpoint 31.	0
xx	EPxx	Where xx can take a value between 1 and 30. 0 => No effect. 1 => Set the EPxx End of Transfer Interrupt request in the USBEoTIntSt register.	0x0
0	EP0	Endpoint 0.	0

3.7.26 USB System Error Interrupt Status Register - (USBSysErrIntClr - 0x3102 02B8, R)

If a system error (AHB bus error) occurs when transferring the data or when fetching or updating the DD this interrupt bit is set. The bit field definition is same as the New DD Request Interrupt Status Register as shown in [Table 10–173](#).

Table 179. USB System Error Interrupt Status Register - (USBSysErrIntClr - 0x3102 02B8, R)

Bits	Name	Function	Reset value
31	EP31	Endpoint 31.	0
xx	EPxx	Where xx can take a value between 1 and 30. 0 => There is no System Error Interrupt request for endpoint xx. 1 => There is a System Error Interrupt request for endpoint xx.	0x0
0	EP0	Endpoint 0.	0

3.7.27 USB System Error Interrupt Clear Register - (USBSysErrIntClr - 0x3102 02BC, C)

Writing '1' into the register will clear the corresponding interrupt from the status register. Writing '0' will not have any effect. The bit field definition is same as the New DD Request Interrupt Status Register as shown in [Table 10–173](#).

Table 180. USB System Error Interrupt Clear Register - (USBSysErrIntClr - 0x3102 02BC, C)

Bits	Name	Function	Reset value
31	EP31	Endpoint 31.	0
xx	EPxx	Where xx can take a value between 1 and 30. 0 => No effect. 1 => Clear the EPxx System Error Interrupt request in the USBSysErrIntSt register.	0x0
0	EP0	Endpoint 0.	0

3.7.28 USB System Error Interrupt Set Register - (USBSysErrIntSet - 0x3102 02C0, S)

Writing '1' into the register will set the corresponding interrupt from the status register. Writing '0' will not have any effect. The bit field definition is same as the New DD Request Interrupt Status Register as shown in [Table 10–173](#).

Table 181. USB System Error Interrupt Set Register - (USBSysErrIntSet - 0x3102 02C0, S)

Bits	Name	Function	Reset value
31	EP31	Endpoint 31.	0
xx	EPxx	Where xx can take a value between 1 and 30. 0 => No effect. 1 => Set the EPxx End of Transfer Interrupt request in the USBEoTIntSt register.	0x0
0	EP0	Endpoint 0.	0

3.7.29 USB Module ID Register - (USBModId - 0x3102 02FC, R)

Table 182. USB Module ID Register - (USBModId - 0x3102 02FC, R)

Bits	Name	Function	Reset value
31:16	IP_Number	USB Device Core IP number.	0x3503
15:8	VER	Version Number.	0x02
7:0	REV	Revision Number.	0x08

3.8 Protocol engine command description

The protocol engine operates based on the commands issued from the CPU.

These commands have to be written into the Command Code Register. The read data when present will be available in the Command Data register after the successful execution of the command. [Table 10–183](#) lists all protocol engine commands.

3.8.1 Read Current Frame Number command example

Here is an example of the Read Current Frame Number command (reading 2 bytes):

```

USBDevIntClr = 0x30;           // Clear both CCEMPTY & CDFULL int.
USBCmdCode = 0x00F50500;
while (!(USBDevIntSt & 0x10)); // Wait for CCEMPTY.
USBDevIntClr = 0x10;           // Clear CCEMPTY interrupt bit.
USBCmdCode = 0x00F50200;
while (!(USBDevIntSt & 0x20)); // Wait for CDFULL.
CurFrameNum = USBCmdData;     // Read Frame number LSB byte.
USBDevIntClr = 0x30;           // Clear both CCEMPTY & CDFULL int.
USBCmdCode = 0x00F50200;
while (!(USBDevIntSt & 0x20)); // Wait for CDFULL.
Temp = USBCmdData;            // Read Frame number MSB byte
USBDevIntClr = 0x20;           // Clear CDFULL interrupt bits.
CurFrameNum = CurFrameNum | (Temp << 8);

```

Table 183. Protocol engine command description

Command Name	Recipient	Command	Data phase (coding)
Device commands			
Set Address	Device	00 D0 05 00	Write 1 byte - 00 <Byte> 01 00
Configure Device	Device	00 D8 05 00	Write 1 byte - 00 <Byte> 01 00
Set Mode	Device	00 F3 05 00	Write 1 byte - 00 <Byte> 01 00
Read Current Frame Number	Device	00 F5 05 00	Read 1 or 2 bytes - 00 F5 02 00
Read Test Register	Device	00 FD 05 00	Read 2 bytes - 00 FD 02 00
Set Device Status	Device	00 FE 05 00	Write 1 byte - 00 <Byte> 01 00
Get Device Status	Device	00 FE 05 00	Read 1 byte - 00 FE 02 00
Get Error Code	Device	00 FF 05 00	Read 1 byte - 00 FF 02 00
ReadErrorStatus	Device	00 FB 05 00	Read 1 byte - 00 FB 02 00
Endpoint commands			
Select Endpoint	Endpoint 0	00 00 05 00	Read 1 byte (optional) - 00 00 02 00
	Endpoint 1	00 01 05 00	Read 1 byte (optional) - 00 01 02 00
	Endpoint 2	00 02 05 00	Read 1 byte (optional) - 00 02 02 00
	Endpoint xx	00 xx 05 00	Read 1 byte (optional) - 00 xx 02 00 xx - Physical endpoint number
	Endpoint 32	00 1F 05 00	Read 1 byte (optional) - 00 1F 02 00

Table 183. Protocol engine command description ...continued

Command Name	Recipient	Command	Data phase (coding)
Select Endpoint/Clear Interrupt	Endpoint 0	00 40 05 00	Read 1 byte - 00 40 02 00
	Endpoint 1	00 41 05 00	Read 1 byte - 00 41 02 00
	Endpoint 2	00 42 05 00	Read 1 byte - 00 42 02 00
	Endpoint xx	00 xx 05 00	Read 1 byte - 00 xx 02 00 xx - (Physical endpoint number + 40h)
	Endpoint 31	00 5F 05 00	Read 1 byte - 00 5F 02 00
Set Endpoint Status	Endpoint 0	00 40 05 00	Write 1 byte - 00 <Byte> 01 00
	Endpoint 1	00 41 05 00	Write 1 byte - 00 <Byte> 01 00
	Endpoint 2	00 42 05 00	Write 1 byte - 00 <Byte> 01 00
	Endpoint xx	00 xx 05 00	Write 1 byte - 00 <Byte> 01 00 xx - (Physical endpoint number + 40h)
	Endpoint 31	00 5F 05 00	Write 1 byte - 00 <Byte> 01 00
Clear Buffer	Selected Endpoint	00 F2 05 00	Read 1 byte (optional) - 00 F2 02 00
Validate Buffer	Selected Endpoint	00 FA 05 00	None

3.8.1.1 Set Address

Command: D0h

Data: Write 1 byte

The Set Address command is used to set the USB assigned address and enable the (embedded) function. The address set in the device will take effect after the status phase of the setup token. (Alternately, issuing the Set Address command twice will set the address in the device). At power_on reset, the DEV_EN is set to 0. After bus reset, the address is reset to "000_0000". The enable bit is set. The device will respond on packets for function address "000_0000", endpoint 0 (default endpoint).

Table 184. Device Set Address Register

Bits	Name	Function	Reset value
7	DEV_EN	Device Enable.	0
6:0	DEV_ADDR	Device address set by the software.	0x0

3.8.1.2 Configure Device

Command: D8h

Data: Write 1 byte

A value of '1' written to the register indicates that the device is configured and all the enabled non-control endpoints will respond. Control endpoints are always enabled and respond even if the device is not configured, in the default state.

Table 185. Configure Device Register

Bits	Name	Function	Reset value
7:1	-	Reserved.	0x0
0	CONF_DEVICE	Device is configured. This bit is set after the set configuration command is executed.	0

3.8.1.3 Set Mode

Command: F3h

Data: Write 1 byte

Table 186. Set Mode Register

Bits	Name	Function	Reset value
7:1	-	Reserved.	0
6	INAK_BO ^[1]	Interrupt on NAK for Bulk OUT endpoints. '0' Only successful transactions generate an interrupt. '1' Both successful and NAKed OUT transactions generate interrupts.	0
5	INAK_BI	Interrupt on NAK for Bulk IN endpoints. '0' Only successful transactions generate an interrupt. '1' Both successful and NAKed IN transactions generate interrupts.	0
4	INAK_IO ^[2]	Interrupt on NAK for Interrupt OUT endpoints. '0' Only successful transactions generate an interrupt. '1' Both successful and NAKed OUT transactions generate interrupts.	0
3	INAK_II	Interrupt on NAK for Interrupt IN endpoint. '0' Only successful transactions generate an interrupt. '1' Both successful and NAKed IN transactions generate interrupts.	0
2	INAK_CO	Interrupt on NAK for Control OUT endpoint '0' Only successful transactions generate an interrupt '1' Both successful and NAKed OUT transactions generate interrupts.	0
1	INAK_CI	Interrupt on NAK for Control IN endpoint. '0' Only successful transactions generate an interrupt. '1' Both successful and NAKed IN transactions generate interrupts.	0
0	AP_CLK	Always PLL Clock. '0' usb_needclk is functional; 48 Mhz Clock can be stopped when the device enters suspend state. '1' usb_needclk always have the value '1'. 48 Mhz Clock cannot be stopped in case when the device enters suspend state.	0

[1] This bit should be reset to 0 if the DMA is enabled for any of the Bulk OUT endpoints.

[2] This bit should be reset to 0 if the DMA is enabled for any of the Interrupt OUT endpoints.

3.8.1.4 Read Current Frame Number

Command: F5h

Data: Read 1 or 2 bytes

Returns the frame number of the last successfully received SOF. The frame number is eleven bits wide. The frame number returns least significant byte first. In case the user is only interested in the lower 8 bits of the frame number, only the first byte needs to be read.

- In case no SOF was received by the device at the beginning of a frame, the frame number returned is that of the last successfully received SOF.
- In case the SOF frame number contained a CRC error, the frame number returned will be the corrupted frame number as received by the device.

3.8.1.5 Read Test Register

Command: FDh

Data: Read 2 bytes

The test register is 16 bits wide. It returns the value of 0xA50F, if the USB clocks (48 Mhz and hclk) are fine.

3.8.1.6 Set Device Status

Command: FEh

Data: Write 1 byte

The Set Device Status command sets bits in the Device Status Register.

Table 187. Set Device Status Register

Bits	Name	Function	Reset value
7:5	-	Reserved.	0x0
4	RST	<p>Bus Reset: The reset bit is set when the device receives a bus reset. It is cleared when read. On a bus reset, the device will automatically go to the default state. In the default state:</p> <p>Device is unconfigured. Will respond to address 0. Control endpoint will be in the Stalled state. All endpoints are enabled. Data toggling is reset for all endpoints. All buffers are cleared. There is no change to the endpoint interrupt status. Generate Interrupt (DEV_STAT).</p>	0
3	SUS_CH	<p>Suspend Change: The suspend change bit is set to '1' when the suspend bit toggles. The suspend bit can toggle because:</p> <p>The device goes into the suspended state. The device is disconnected. The device receives resume signalling on its upstream port. The Suspend Change bit is reset after the register has been read. Generate Interrupt (DEV_STAT).</p>	0

Table 187. Set Device Status Register

Bits	Name	Function	Reset value
2	SUS	Suspend: The Suspend bit represents the current suspend state. It is set to '1' when the device hasn't seen any activity on its upstream port for more than 3 ms. It is reset to '0' on any activity. When the device is suspended (suspend bit = '1') and the CPU writes a '0' into it, the device will generate a remote wake-up. This will only happen when the device is connected (connect bit = '1'). When the device is not connected or not suspended, writing a '0' has no effect. Writing a '1' into this register has never an effect.	0
1	CON_CH	Connect Change: This bit is set when the device's pull-up resistor is disconnected because VBus disappeared. It is reset when read. Generate Interrupt (DEV_STAT).	0
0	CON	Connect: The Connect bit indicates the current connect status of the device. It controls the SoftConnect_N output pin, used for SoftConnect. Writing a '1' will make SoftConnect_N active. Writing a '0' will make SoftConnect_N inactive. Reading the connect bit returns the current connect status.	0

3.8.1.7 Get Device Status

Command: FEh

Data: Read 1 byte

The Get Device Status command returns the Device Status Register. Reading the device status returns 1 byte of data. The bit field definition is same as the Set Device Status Register as shown in [Table 10–187](#).

It is important to note that when the DEV_STAT status interrupt has been detected in the USB Device Interrupt Status register, the DEV_STAT bit will be set. This interrupt needs to be cleared first by setting the DEV_STAT bit in the “USB Device Interrupt Clear” register before sending the “Get Device Status” command to the protocol engine.

3.8.1.8 Get Error Code

Command: FFh

Data: Read 1 bytes

Different error conditions can arise inside the protocol engine. The ‘Get Error Code’ command returns the error code which last occurred. The 4 least significant bits form the error code.

Table 188. Get Error Code Register

Bits	Name	Function	Reset value
7:5	-	Reserved.	0x0
4	EA	The Error Active bit will be reset once this register is read.	0

Table 188. Get Error Code Register

Bits	Name	Function	Reset value
3:0	EC	Error Code Description	0x0
		0000 No Error.	
		0001 PID Encoding Error.	
		0010 Unknown PID.	
		0011 Unexpected Packet - any packet sequence violation from the specification.	
		0100 Error in Token CRC.	
		0101 Error in Data CRC.	
		0110 Time Out Error.	
		0111 Babble.	
		1000 Error in End of Packet.	
		1001 Sent/Received NAK.	
		1010 Sent Stall.	
		1011 Buffer Overrun Error.	
		1100 Sent Empty Packet (ISO endpoints only).	
		1101 Bitstuff Error.	
		1110 Error in Sync.	
		1111 Wrong Toggle Bit in Data PID, ignored data.	

3.8.1.9 ReadErrorStatus

Command: FBh

Data: Read 1 byte

This command reads the 8 bit Error register from the USB device. If any of these bits is set, there will be an interrupt to the CPU. The error bits are reset after reading the register.

Table 189. ReadErrorStatus Register

Bits	Name	Function	Reset value
7	TGL_ERR	Wrong toggle bit in data PID, ignored data.	0
6	BTSTF	Bit stuff error.	0
5	B_OVRN	Buffer Overrun.	0
4	EOP	End of packet error.	0
3	TIMOUT	Time out error.	0
2	DCRC	Data CRC error.	0
1	UEPKT	Unexpected Packet - any packet sequence violation from the specification	0
0	PID_ERR	PID encoding error or Unknown PID or Token CRC.	0

3.8.1.10 Select Endpoint

Command: 00-1Fh

Data: Read 1 byte (Optional)

The Select Endpoint command initializes an internal pointer to the start of the selected buffer in EP_RAM. Optionally, this command can be followed by a data read, which returns some additional information on the packet in the buffer. The command code of 'select endpoint' is equal to the physical endpoint number. In the case of single buffer, B_2_FULL bit is not valid.

Table 190. Select Endpoint Register

Bits	Name	Function	Reset value
7	-	Reserved.	0
6	B_2_FULL	The buffer 2 status '1' = Full; '0' = Empty.	0
5	B_1_FULL	The buffer 1 status '1' = Full; '0' = Empty.	0
4	EPN	EP NAKed '1' - The device has sent a NAK. If the host sends an OUT packet to a filled OUT buffer, the device returns NAK. If the host sends an IN token to an empty IN buffer, the device returns NAK. This bit is set when a NAK is sent and the interrupt on NAK feature is enabled. This bit is reset after the device has sent an ACK after an OUT packet or when the device has seen an ACK after sending an IN packet.	0
3	PO	Packet over-written: '1': The previously received packet was over-written by a setup packet. The value of this bit is cleared by the 'Select Endpoint/Clear Interrupt' command.	0
2	STP	Setup: '1': The last received packet for the selected endpoint was a setup packet. The value of this bit is updated after each successfully received packet (i.e. an ACKed package on that particular physical endpoint). It is cleared by doing a Select Endpoint/Clear Interrupt on this endpoint.	0
1	ST	'1': The selected endpoint is stalled.	0
0	F/E	Full/Empty: For OUT endpoint if the next read buffers is full this bit is set to 1. For IN endpoint if the next write buffer is empty this bit is set to 0. The F/E bit gives the ORed result of B_1_FULL and B_2_FULL bits.	0

3.8.1.11 Select Endpoint/Clear Interrupt

Command: 40-5Fh

Data: Read 1 byte

Commands 40h to 5Fh are identical to their Select Endpoint equivalents, with the following differences:

- They clear the associated interrupt in the USB clock domain only.
- In case of a control out endpoint, they clear the setup and over-written bits.
- Reading one byte is obligatory.

3.8.1.12 Set Endpoint Status

Command: 40-5Fhh

Data: Write 1 byte

The Set Endpoint Status command sets status bits '7:5' and '0' of the endpoint. The command code of Set Endpoint Status is equal to the sum of 40h and the physical endpoint number in hex value. Not all bits can be set for all types of endpoints.

Table 191. Set Endpoint Status Register

Bits	Name	Function	Reset value
7	CND_ST	Conditional Stall: '1' - Stall both control endpoints, unless the 'Setup Packet' bit is set. It is defined only for control OUT endpoints.	0
6	RF_MO	Rate Feedback Mode: '0' - Interrupt endpoint in 'toggle mode' '1' - Interrupt endpoint in 'rate feedback mode', meaning, transfer takes place without data toggle bit.	0
5	DA	Disabled: '1': The endpoint is disabled.	0
4:1	-	Reserved.	0x0
0	ST	<p>Stalled: '1': The endpoint is stalled.</p> <p>A Stalled control endpoint is automatically Unstalled when it receives a SETUP token, regardless of the content of the packet. If the endpoint should stay in its stalled state, the CPU can un-stall it.</p> <p>When a stalled endpoint is unstalled - either by the Set Endpoint Status command or by receiving a SETUP token - it is also re-initialized. This flushes the buffer: in case of an OUT buffer it waits for a DATA 0 PID; in case of an IN buffer it writes a DATA 0 PID. There is no change on the interrupt status of the endpoint. Even when unstalled, setting the stalled bit to '0' initializes the endpoint.</p> <p>When an endpoint is stalled by the Set Endpoint Status command it is also re initialized.</p> <p>The command to set the conditional stall bit will be ignored if the 'Setup Packet' bit is set (the EP will not be reset and no status bits will change).</p>	0

3.8.1.13 Clear Buffer

Command: F2h

Data: Read 1 byte (optional)

When an OUT packet sent by the host has been received successfully, an internal hardware FIFO status 'Buffer Full' flag is set. All subsequent packets will be refused by returning a NAK. When the CPU has read the data, it should free the buffer and clear the "Buffer Full" bit by using the Clear Buffer command. When the buffer is cleared, new packets will be accepted.

When bit '0' of the optional data byte is '1', the previously received packet was over-written by a SETUP packet. The Packet overwritten bit is used only in control transfers. According to the USB specification, SETUP packet should be accepted irrespective of the buffer status. The software should always check the status of the PO bit after reading the SETUP data. If it is set then it should discard the previously read data, clear the PO bit by issuing a Select Endpoint/Clear Interrupt command (see [Section 10–3.8.1.11](#)), read the new SETUP data and again check the status of the PO bit.

Table 192. Clear Buffer Register

Bits	Name	Function	Reset value
7:1	-	Reserved.	0x0
0	PO	Packet over-written. This bit is only applicable to the control endpoint EP0. 0 - The previously received packet is intact. 1 - The previously received packet was over-written by a later SETUP packet.	0

Here is an example in slave mode when an OUT packet is received on the USB device:

- Set the RD_EN bit and corresponding bits LOG_ENDPOINT number in the “USB Control” register.
- Check the PKT_RDY bit in the “Receive Packet Length” register
- Get the length of the receive packet from the “Receive Packet Length” register when the PKT_RDY bit is set.
- Read data from the “Receive Data” register based on the length.
- Send the “Select Endpoint” command to the protocol engine based on the LOG_ENDPOINT.
- Send the “Clear Buffer” command to the protocol engine for the new incoming packets.

3.8.1.14 Validate Buffer

Command: FAh

Data: None

When the CPU has written data into an IN buffer, it should validate the buffer through Command “Validate Buffer”. This will tell the hardware that the buffer is ready for dispatching. The hardware will send the content of the buffer when the next IN token is received. Internally, there is a hardware FIFO status, it has a "Buffer Full" bit. This bit is set by the "Validate Buffer" command, and cleared when the data have been dispatched.

When the CPU has written data into an IN buffer, it should set the buffer full flag by the Validate Buffer command. This indicates that the data in the buffer is valid and can be sent to the host when the next IN token is received.

A control IN buffer cannot be validated when the Packet Over-written bit of its corresponding OUT buffer is set or when the Set up packet is pending in the buffer. For the control endpoint the validated buffer will be invalidated when a Setup packet is received.

Here is an example describing when an IN packet is ready to transmit to the USB host in slave mode:

- Set the WR_EN bit and corresponding bits LOG_ENDPOINT number in the “USB Control” register.
- Set the length of the transmit packet in the “Transmit Packet Length” register.
- Write data to the “Transmit Data” register based on the length.

- Send the “Select Endpoint” command to the protocol engine based on the LOG_ENDPOINT.
- Send the “Validate Buffer” command to the protocol engine and tell the hardware that the buffer is ready to dispatch.

3.9 DMA descriptor

A DMA transfer can be characterized by a structure describing these parameters. This structure is called the DMA Descriptor (DD).

The DMA descriptors are placed in the USB RAM. These descriptors can be located anywhere in the USB RAM in the word-aligned boundaries. The USB RAM is part of the system memory which is used for the USB purposes. It is located at address 0x7FD0 0000 and is 16K in size.

DD for non-isochronous endpoints are four-word long and isochronous endpoints are five-word long.

Total USB RAM required for DD = (No. of non-iso endpoints x 4 + No. of iso endpoints x 5)

There are certain parameters associated with a DMA transfer. These are:

- The start address of the DMA buffer in the USB RAM.
- The length of the DMA Buffer in the USB RAM.
- The start address of the next DMA buffer.
- Control information.
- DMA count information (Number of bytes transferred).
- DMA status information.

[Table 10–193](#) lists the DMA descriptor fields.

Table 193. DMA descriptor

Word position	Access (H/W) ⁽¹⁾	Access (S/W)	Bit position	Description
0	R	R/W	31:0	Next_DD_pointer (USB RAM address).
1	R	R/W	1:0	DMA_mode (00 -Normal; 01 - ATLE).
	R	R/W	2	Next_DD_valid (1 - valid; 0 - invalid).
	-	-	3	Reserved.
	R	R/W	4	Isochronous_endpoint (1 - isochronous; 0 - non-isochronous).
	R	R/W	15:5	Max_packet_size
	R/W*	R/W	31:16	DMA_buffer_length in bytes.
2	R/W	R/W	31:0	DMA_buffer_start_addr.

Table 193. DMA descriptor ...continued

Word position	Access (H/W) ^[1]	Access (S/W)	Bit position	Description
3	R/W	R/I	0	DD_retired (To be initialized to 0).
	W	R/I	4:1	DD_status (To be initialized to 0) 0000 - Not serviced. 0001 - Being serviced. 0010 - Normal completion. 0011 - Data under run (short packet). 1000 - Data over run. 1001 - System error.
	R/W	R/I	5	Packet_valid (To be initialized to 0).
	R/W	R/I	6	LS_byte_extracted (ATLE mode) (To be initialized to 0).
	R/W	R/I	7	MS_byte_extracted (ATLE mode) (To be initialized to 0).
	R	W	13:8	Message_length_position (ATLE mode).
	-	-	15:14	Reserved.
	R/W	R/I	31:16	Present_DMA_count (To be initialized to 0).
4	R/W	R/W	31:0	Isochronous_packetsize_memory_address

[1] R - Read; W - Write; W* - Write only in ATLE mode; I - Initialize

3.9.1 Next_DD_pointer

Pointer to the memory location from where the next DMA descriptor has to be fetched.

3.9.2 DMA_mode

Defines in which mode the DMA has to operate. Two modes have been defined, Normal and ATLE. In the normal mode the DMA engine will not split a packet into two different DMA buffers. In the ATLE mode splitting of the packet into two buffers can happen. This is because two transfers can be concatenated in the packet to improve the bandwidth. See [Section 10–4.3.2 “Concatenated transfer \(ATLE\) mode operation”](#) on DMA operation.

3.9.3 Next_DD_valid

This bit indicates whether the software has prepared the next DMA descriptor. If it is valid, the DMA engine once finished with the current descriptor will load the new descriptor.

3.9.4 Isochronous_endpoint

The descriptor belongs to an isochronous endpoint. Hence, 5 words have to be read.

3.9.5 Max_packet_size

This field is the maximum packet size of the endpoint. This parameter has to be used while transferring the data for IN endpoints from the memory. It is used for OUT endpoints to detect the short packet. This is applicable to non-isochronous endpoints only. The max_packet_size field should be the same as the value set in the MaxPacketsize register for the endpoint.

3.9.6 DMA_buffer_length

This indicates the depth of the DMA buffer allocated for transferring the data. The DMA engine will stop using this descriptor when this limit is reached and will look for the next descriptor. This will be set by the software in the normal mode operation for both IN and OUT endpoints. In the ATLE mode operation the buffer_length is set by software for IN endpoints. For OUT endpoints this is set by the hardware from the extracted length of the data stream. In case of the Isochronous endpoints the DMA_buffer_length is specified in terms of number of packets.

3.9.7 DMA_buffer_start_addr

The address from where the data has to be picked up or to be stored. This field is updated packet-wise by DMA engine.

3.9.8 DD_retired

This bit is set when the DMA engine finishes the current descriptor. This will happen when the end of the buffer is reached or a short packet is transferred (no isochronous endpoints) or an error condition is detected.

3.9.9 DD_status

The status of the DMA transfer is encoded in this field. The following status are defined.

- **Not serviced** - No packet has been transferred yet. DD is in the initial position itself.
- **Being serviced** - This status indicates that at least one packet is transferred.
- **Normal completion** - The DD is retired because the end of the buffer is reached and there were no errors. DD_retired bit also is set.
- **Data under run** - Before reaching the end of the buffer, transfer is terminated because a short packet is received. DD_retired bit also is set.
- **Data over run** - End of the DMA buffer is reached in the middle of a packet transfer. This is an error situation. DD_retired bit will be set. The DMA count will show the value of DMA buffer length. The packet has to be re-transmitted from the FIFO. DMA_ENABLE bit is reset.
- **System error** - Transfer is terminated because of an error in the system bus. DD_retired bit is not set in this case. DMA_ENABLE bit is reset. Since system error can happen while updating the DD, the DD fields in the USB RAM may not be very reliable.

3.9.10 Packet_valid

This bit indicates whether the last packet transferred to the memory is received with errors or not. This bit will be set if the packet is valid, i.e., it was received without errors. Since non-isochronous endpoint will not generate DMA request for packet with errors, this field will not make much sense as it will be set for all packets transferred. But for isochronous endpoints this information is useful. See [Section 10-4.4](#) for isochronous endpoint operation.

3.9.11 LS_byte_extracted

Applicable only in the ATLE mode. This bit set indicates that the Least Significant Byte (LSB) of the transfer length has been already extracted. The extracted size will be reflected in the 'dma_buffer_length' field in the bits 23:16.

3.9.12 MS_byte_extracted

Applicable only in the ATLE mode. This bit set indicates that the Most Significant Byte (MSB) of the transfer size has been already extracted. The size extracted will be reflected in the 'dma_buffer_length' field at 31:24. Extraction stops when both 'LS_Byte_extracted' and 'MS_byte_extracted' fields are set.

3.9.13 Present_DMA_count

The number of bytes transferred by the DMA engine at any point of time. This is updated packet-wise by the DMA engine when it updates the descriptor. In case of the Isochronous endpoints the Present_DMA_count is specified in terms of number of packets transferred.

3.9.14 Message_length_position

This applies only in the ATLE mode. This field gives the offset of the message length position embedded in the packet. This is applicable only for OUT endpoints. Offset 0 indicates that the message length starts from the first byte of the packet onwards.

3.9.15 Isochronous_packet_size_memory_address

The memory buffer address where the packet size information along with the frame number has to be transferred or fetched. See [Figure 10-32](#). This is applicable to isochronous endpoints only.

4. DMA operation

4.1 Triggering the DMA engine

An endpoint will raise a DMA request when the slave mode transfer is disabled by setting the corresponding bit in "Endpoint Interrupt Enable" register to 0.

The DMA transfer for an OUT endpoint is triggered when it receives a packet without any errors (i.e., the buffer is full) and the 'DMA_ENABLE' (EP DMA Status register) bit is set for this endpoint.

Transfer for an IN endpoint is triggered when the host requests for a packet of data and the 'DMA_ENABLE' bit is set for this endpoint.

In DMA mode, the bits corresponding to Interrupt on NAK for Bulk OUT and Interrupt OUT endpoints (bit INAK_BO and INAK_IO) in Set Mode register ([Section 10-3.8.1.3](#)) should be reset to 0.

4.2 Arbitration between endpoints

If more than one endpoint is requested for data transfer at the same time, the endpoint with lower physical endpoint number value gets the priority.

4.3 Non isochronous endpoint operation

4.3.1 Normal mode operation

4.3.1.1 Setting up DMA transfer

The software prepares the DDs for the physical endpoints that need DMA transfer. These DDs are present in the USB RAM. Also, the start address of the first DD is programmed into the DDP location for the corresponding endpoint. The software will then set the DMA_ENABLE bit for this endpoint in the EP DMA Status register. The 'DMA_mode' bit in the descriptor has to be set to '00' for normal mode operation. It should also initialize all the bits in the DD as given in the table.

4.3.1.2 Finding DMA descriptor

When there is a trigger for a DMA transfer for an endpoint, DMA engine will first determine whether a new descriptor has to be fetched or not. A new descriptor need not have to be fetched if the last transfer was also made for the same endpoint and the DD is not yet in the 'retired' state. A flag called 'DMA_PROCEED' is used to identify this (see [Section 10–4.3.1.4](#)).

If a new descriptor has to be read, the DMA engine will calculate the location of the DDP for this endpoint and will fetch the start address of DD from this location. A DD start address at location zero is considered invalid. In this case a 'new_dd_request' interrupt is raised. All other word boundaries are valid.

If at any point of time the DD is to be fetched, the status of DD (word 3) is read first and the status of the 'DD_retired' bit is checked. If this is not set, DDP points to a valid DD. If the 'DD_retired' bit is set, the DMA engine will read the 'control' field (word 1) of the DD.

If the bit 'next_DD_valid' bit is set, the DMA engine will fetch the 'next_dd_pointer' field (word 0) of the DD and load it to the DDP. The new DDP is written to the UDCA area.

The full DMA descriptor (4 words) will in turn be fetched from this address pointed by DDP. The DD will give the details of the transfer to be done. The DMA engine will load its hardware resources with the information fetched from the DD (start address, DMA count etc.).

If the 'next_dd_valid' is not set and the DD_retired bit is set, the DMA engine will raise the 'NEW_DD_REQUEST' interrupt for this endpoint. It also disables the DMA_ENABLE bit.

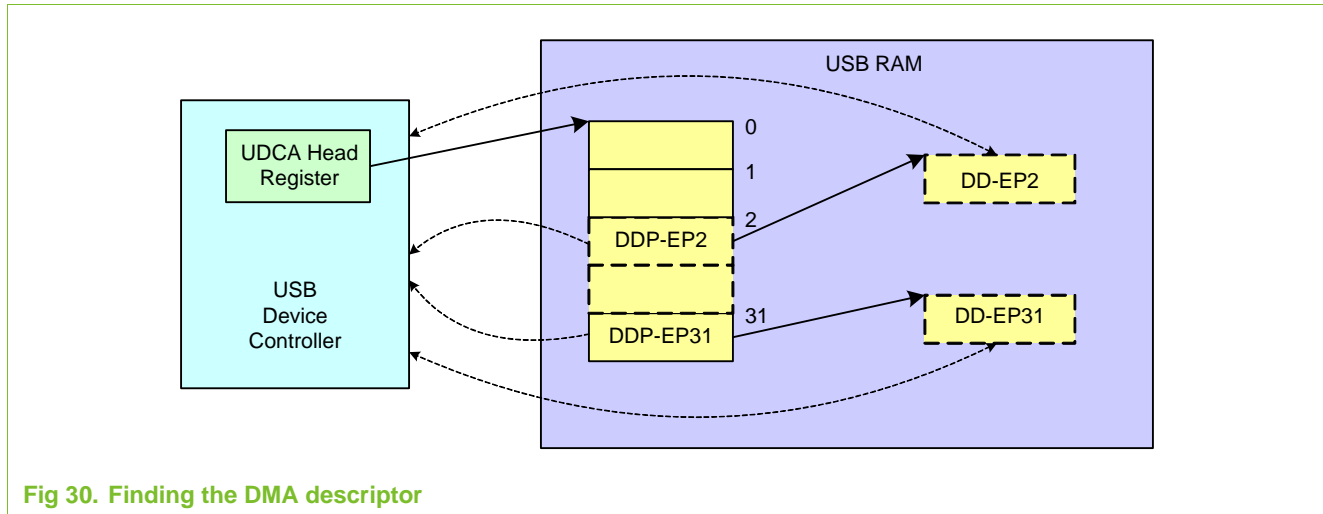


Fig 30. Finding the DMA descriptor

4.3.1.3 Transferring the data

In case of OUT endpoints, the current packet will be read from the EP_RAM by the DMA Engine and will get transferred to the USB RAM memory locations starting from the address pointed by 'dma_buffer_start_addr'. In case of IN endpoints, the data will be fetched from the USB RAM and will be written to the EP_RAM. The 'dma_buffer_start_addr' and 'present_dma_count' will get updated while the transfer progresses.

4.3.1.4 Optimizing descriptor fetch

A DMA transfer normally involves multiple packet transfers. If a DD once fetched is equipped to do multiple transfers, the hardware will not fetch DD for all the succeeding packets. It will do the fetching only if the previous packet transferred on this channel does not belong to this endpoint. This is on the assumption that the current contents of the hardware resource and that of the descriptor to be fetched will be the same. In such a case DMA engine can proceed without fetching the new descriptor if it has not transferred enough data specified in the 'dma_buffer_length' field of the descriptor. To keep this information the hardware will have a flag set called 'DMA_PROCEED'.

This flag will be reset after the required number of bytes specified in the 'dma_buffer_length' field is transferred. It is also reset when the software writes into the EP DMA Disable register. This will give the software control over the reading of DD by the hardware. Hardware will be forced to read the DD for the next packet. Writing data 0x0 into the EP DMA Disable register will cause only resetting of the DMA_PROCEED flag without disabling DMA for any endpoint.

4.3.1.5 Ending the packet transfer

The DMA engine will write back the DD with an updated status to the same memory location from where it was read. The 'dma_buffer_start_addr', 'present_dma_count' and the status bits field in the DD get updated. Only words 2 and 3 are updated by hardware in this mode.

A DD can have the following types of completion:

Normal completion: If the current packet is fully transferred and the 'dma_count' field equals the 'dma_buffer_length' defined in the descriptor, the DD has a normal completion. The DD will be written back to memory with 'DD_retired' bit set. END_OF_TRANSFER interrupt is raised for this endpoint. DD_Status bits are updated for 'normal_completion' code.

Transfer end completion: If the current packet is fully transferred, its size is less than the 'max_packet_size' defined in the descriptor, and the end of the buffer is still not reached the transfer end completion occurs. The DD will be written back to the memory with 'DD_retired' bit set and DD_Status bits showing 'data under run' completion code. Also, the 'END_OF_TRANSFER' interrupt for this endpoint is raised.

Error completion: If the current packet is partially transferred i.e. end of the DMA buffer is reached in the middle of the packet transfer, an error situation occurs. The DD is written back with DD_status 'data over run' and 'DD_retired' bit is set. The DMA engine will raise the End of Transfer interrupt and reset the corresponding bit for this endpoint in the 'DMA_ENABLE' register. This packet will be re-transmitted to the memory fully when DMA_ENABLE bit is set again by writing into the EP DMA Enable register.

4.3.1.6 No_Packet DD

For IN transfers, it can happen that for a DMA request the system does not have any data to send for a long time. The system can suppress this request by programming a no_packet DD. This is done by setting the 'Maxpacket_size' and 'dma_buffer_length' in the DD control field to 0. No packets will be sent to the host in response to the no_packet DD.

4.3.2 Concatenated transfer (ATLE) mode operation

Some host drivers like 'NDIS' (Network Driver Interface Standard) are capable of concatenating small transfers (delta transfers) to form a single large transfer. The device hardware should be able to break up this single transfer back into delta transfers and transfer them to different DMA buffers. This is achieved in the ATLE mode operation. This is applicable only for Bulk endpoints.

In ATLE mode, the Host driver can concatenate various transfer lengths, which correspond to different DMA descriptors on Device side. And these transfers have to be done on USB without breaking the packet. This is the primary difference between the Normal Mode and ATLE mode of DMA operation, wherein one DMA transfer length ends with either a full USB packet or a short packet and the next DMA transfer length starts with a new USB packet in Normal mode. These two transfers may be concatenated in the last USB packet of the first DMA transfer in ATLE mode.

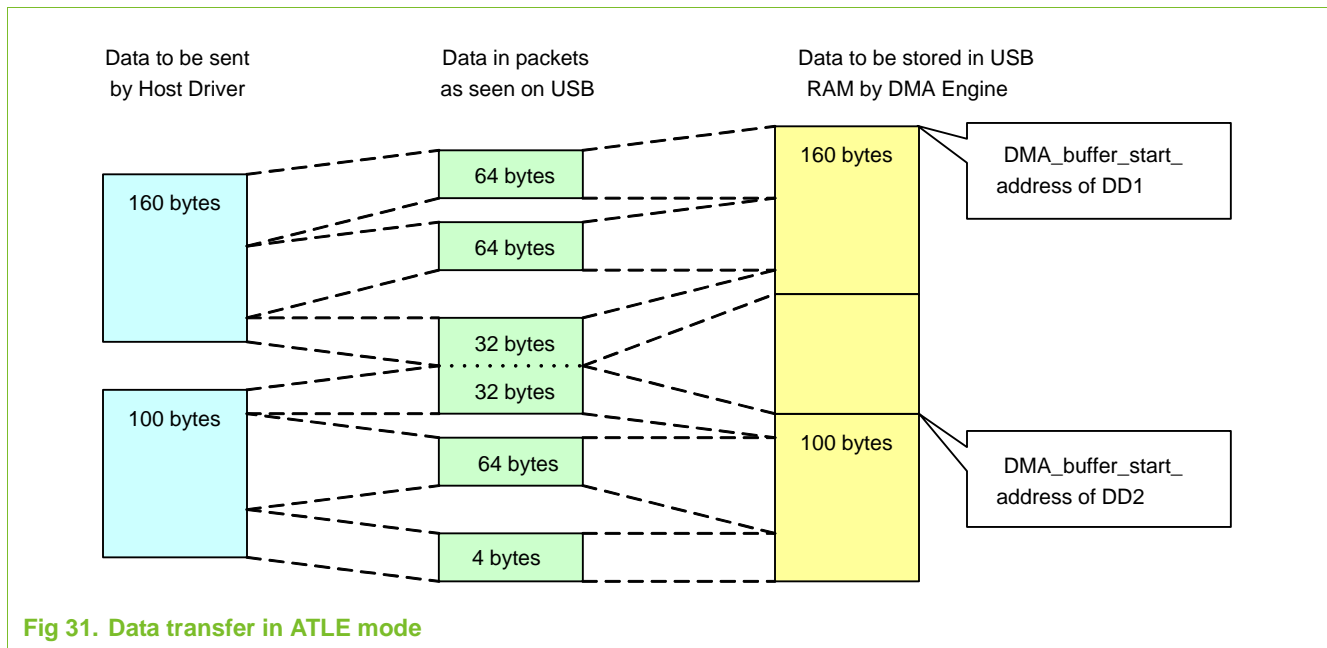


Fig 31. Data transfer in ATLE mode

4.3.2.1 OUT transfer in ATLE mode

Figure 10–31 shows a typical OUT transfer, where the host concatenates two DMA transfer lengths of 160 bytes and 100 bytes respectively. As seen on USB, there would be four packets of 64 bytes (MPS=64) and a short packet of 4 bytes in ATLE mode unlike Normal mode with five packets of 64, 64, 32, 64, 36 bytes in the given order.

It is now responsibility of the DMA engine to separate these two transfers and put them in proper memory locations as pointed by the "DMA_buffer_start_address" field of DMA Descriptor 1 (DD1) and DMA Descriptor 2 (DD2).

There are two things in OUT transfer of ATLE mode which differentiate it from the OUT transfer in Normal mode of DMA operation. The first one is that the Device software does not know the "DMA_buffer_length" of the incoming transfer and hence this field in DD is programmed to 0. But by the NDIS protocol, the device driver knows at which location in the incoming data transfer length will be stored. This value is programmed in the field "Message_length_position" of the DD.

It is responsibility of the hardware to read the two byte wide "DMA_buffer_length" at the offset (from start of transfer) specified by "Message_length_position", from incoming data and write it in "DMA_buffer_length" field of the DD. Once this information is extracted from the incoming data and updated in the DD, the transfer continues as in Normal mode of operation.

It may happen that the message length position points to the last byte in the USB packet, which means that out of two bytes of buffer length, first (LS) byte is available in the current packet and the second (MS) byte would follow in the next packet. To deal with such situations, the flags "LS_byte_extracted" and "MS_byte_extracted" are used by hardware. When the hardware reads the LS byte (which is the last byte of USB packet), it writes the contents of LS byte in position [23:16] of "DMA_buffer_length" field, sets the flag "LS_byte_extracted" to 1, and updates the DD in System memory (since the packet transfer is over).

On reception of the next packet, looking at "LS_byte_extracted" field 1 and "MS_byte_extracted" field 0, hardware knows that it has to read the first incoming byte as MS byte of buffer length, update the position (31:24) of "DMA_buffer_length" with the read contents and set the flag "MS_byte_extracted". After the extraction of MS byte of DMA buffer length, the transfer continues as in Normal mode of operation.

The second thing, which differentiates the ATLE mode OUT transfer from Normal mode OUT transfer, is the behavior in case when DD is retired in between a USB packet transfer.

As can be seen in [Figure 10–31](#), the first 32 bytes of the 3rd packet correspond to DD1 and the remaining 32 bytes correspond to DD2. In such a situation, on reception of first 32 bytes, the first DD (i.e. DD1) is retired and updated in the system memory, the new DD (pointed by "next_DD_pointer") is fetched and the remaining 32 bytes are transferred to the location in system memory pointed by "DMA_buffer_start_address" of new DD (i.e. DD2).

It should be noted that in ATLE mode, the software will always program the "LS_byte_extracted" and "MS_byte_extracted" fields to 0 while preparing a DD, and hence on fetching the DD2 in above situation, the Buffer Length Extraction process will start again as described earlier.

If the first DD is retired in between the packet transfer and the next DD is not programmed, i.e. "next_DD_valid" field in DD1 is 0, then the first DD is retired with the status "data over run" (DD_status = 1000), which has to be treated as an error condition and the DMA channel for that particular endpoint is disabled by the hardware. Otherwise the first DD is retired with status "normal completion" (DD_status = 0010).

Please note that in this mode the last buffer length to be transferred would always end with a short packet or empty packet indicating that no more concatenated data is coming on the way. If the concatenated transfer lengths are such that the last transfer ends on a packet boundary, the (NDIS) host will send an empty packet to mark the End Of Transfer.

4.3.2.2 IN transfer in ATLE mode

The operation in IN transfers is relatively simple compared to the OUT transfer in ATLE mode since device software knows the buffer length to be transferred and it is programmed in "DMA_buffer_length" field while preparing the DD, thus avoiding any transfer length extraction mechanism.

The only difference for IN transfers between ATLE mode and Normal mode of DMA operation is that the DDs can get retired in mid of the USB packet transfer. In such a case, the hardware will update the first DD in system memory, fetch the new DD pointed by "next_DD_pointer" field of the first DD, and fetch the remaining bytes from system memory pointed by "DMA_buffer_start_address" of second DD to complete the packet before sending it on USB.

In the above situation, if the next DD is not programmed, i.e. "next_DD_valid" field in DD is 0, and the buffer length for current DD has completed before the packet boundary, then the available bytes from current DD are sent as a short packet on USB, which marks the End Of Transfer for the Host.

In cases where the intended buffer lengths are already transferred and the last buffer length has completed on the USB packet boundary, it is responsibility of Device software to program the next DD with "DMA_buffer_length" field 0, after which an empty packet is sent on USB by the hardware to mark the End Of Transfer for the Host.

4.3.2.3 Setting up the DMA transfer

There is an additional field in the descriptor called 'message_length_position' which has to be set for the OUT endpoints. This indicates the start location of the message length in the incoming data packet. Also the software will set the 'dma_buffer_length' field to '0' for OUT endpoints as this field has to be updated by hardware.

For IN endpoints, descriptors are to be set in the same way as the normal mode operation.

Since a single packet can have two transfers which have to be transferred or collected from different DMA buffers, the software should keep two buffers ready always, except for the last delta transfer which ends with a short packet.

4.3.2.4 Finding the DMA descriptor

DMA descriptors are found in the same way as in the normal mode operation.

4.3.2.5 Transferring the data

For OUT end points if the 'LS_byte_extracted' or 'MS_byte_extracted' bit in the status field is not set, the hardware will extract the transfer length from the data stream. The 'dma_buffer_length' field derived from this information is 2 bytes long. Once the extraction is complete, both the 'LS_byte_extracted' and 'MS_byte_extracted' bits will be set.

For IN endpoints transfer proceeds like the normal mode and continues till the number of bytes transferred equals the 'dma_buffer_length'.

4.3.2.6 Ending the packet transfer

DMA engine proceeds with the transfer till the number of bytes specified in the field 'dma_buffer_length' gets transferred to or from the USB RAM. An END_OF_TRANSFER interrupt will be generated. If this happens in the middle of the packet, the linked DD will get loaded and the remaining part of the packet gets transferred to or from the address pointed by the new DD.

For an OUT endpoint if the linked DD is not valid and the packet is partially transferred to memory, the DD ends with data_over_run status set and DMA will be disabled for this endpoint. Otherwise DD_status will be updated with 'normal completion'.

For an IN endpoint if the linked DD is not valid and the packet is partially transferred to USB, DD ends with 'normal completion' and the packet will be sent as a short packet (since this situation is the end of transfer). Also, when the linked DD is valid and buffer length is 0, a short packet will be sent.

4.4 Isochronous endpoint operation

In case of isochronous endpoint operation the packet size can vary on each and every packet. There will be one packet per isochronous endpoint at every frame.

4.4.1 Setting up the DMA transfer

For the Isochronous DMA descriptor, the DMA length equals the number of frames for the transfer rather than the number of bytes. The DMA count is also updated in terms of the number of frames

4.4.1.1 Finding the DMA descriptor

Finding the descriptor is done in the same way as that for a non isochronous endpoint.

DMA descriptor has a bit field in the word 1 (`isochronous_endpoint`) to indicate that the descriptor belongs to an isochronous endpoint. Also, isochronous DD has a fifth word showing where the packet length for the frame has to be put (for OUT endpoint) or from where it has to be read.

A DMA request will be placed for DMA enabled isochronous endpoints on every frame interrupt. For a DMA request the DMA engine will fetch the descriptor, and if it identifies that the descriptor belongs to an Isochronous endpoint, it will fetch the fifth word of the DD which will give the location from where the packet length has to be placed or fetched.

4.4.2 Transferring the data

The data is transferred to or from the memory location pointed by the `dma_buffer_start_addr`. After the end of the packet transfer the `dma_count` value is incremented by 1.

For an OUT transfer a word is formed by combining the frame number and the packet length such that the packet length appears at the least significant 2 bytes (15 to 0). Bit 16 shows whether the packet is valid or not (set when packet is valid i.e. it was received without any errors). The frame number appears in the most significant 2 bytes (bit 31 to 17). The frame number is available from the USB device. This word is then transferred to the address location pointed by the variable `isochronous_packet_size_memory_address`. The `isochronous_packet_size_memory_address` is incremented by 4 after receiving or transmitting an Isochronous data packet. The `isochronous_packet_size` memory buffer should be big enough to hold information of all packets sent by the host.

For an IN endpoint only the bits from 15 to 0 are applicable. An Isochronous data packet of size specified by this field is transferred from the USB device to the Host in each frame. If the size programmed in this location is zero an empty packet will be sent by the USB device.

The Isochronous endpoint works only in the normal mode DMA operation.

An Isochronous endpoint can have only 'normal completion' since there is no short packet on Isochronous endpoint and the transfer continues infinitely till a system error occurs. Also, there is no `data_over_run` detection.

4.4.2.1 Isochronous OUT endpoint operation example

For example assume that an isochronous endpoint is programmed for the transfer of 10 frames. After transferring four frames with packet size 10, 15, 8 and 20 bytes: the descriptors and memory map looks as shown in [Figure 10–32](#), assuming that the transfer starts when the internal frame number was 21.

The total number of bytes transferred = $0xA + 0xF + 0x8 + 0x14 = 0x35$.

The sixteenth bit for all the words in the packet length memory will be set to 1.

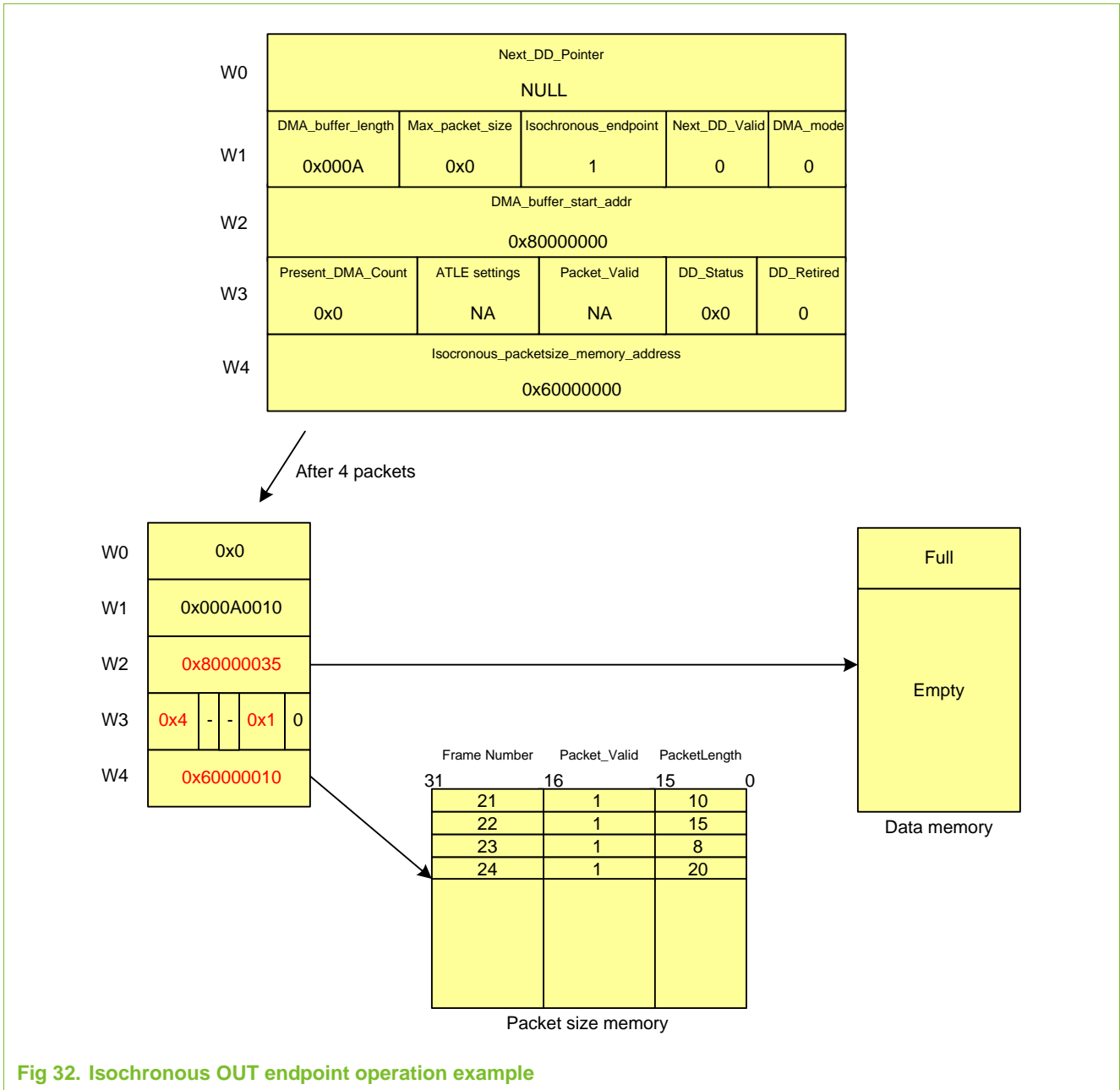


Fig 32. Isochronous OUT endpoint operation example

1. Introduction

This section describes the host portion of the USB 2.0 OTG dual role core which integrates the host controller (OHCI compliant), device controller and I2C. The I2C interface controls the external OTG ATX.

The USB is a 4 wire bus that supports communication between a host and a number (127 max.) of peripherals. The host controller allocates the USB bandwidth to attached devices through a token based protocol. The bus supports hot plugging, un-plugging and dynamic configuration of the devices. All transactions are initiated by the host controller.

The host controller enables data exchange with various USB devices attached to the bus. It consists of register interface, serial interface engine and DMA controller. The register interface complies to the OHCI specification.

Table 194. USB (OHCI) related acronyms and abbreviations used in this chapter

Acronym/abbreviation	Description
AHB	Advanced High-Performance Bus
ATX	Analog Transceiver
DMA	Direct Memory Access
FS	Full Speed
LS	Low Speed
OHCI	Open Host Controller Interface
USB	Universal Serial Bus

1.1 Features

- OHCI compliant.
- OpenHCI specifies the operation and interface of the USB Host Controller and SW Driver
 - USBOperational: Process Lists and generate SOF Tokens.
 - USBReset: Forces reset signaling on the bus, SOF disabled.
 - USBSuspend: Monitor USB for wakeup activity.
 - USBResume: Forces resume signaling on the bus.
- The Host Controller has four USB states visible to the SW Driver.
- HCCA register points to Interrupt and Isochronous Descriptors List.
- ControlHeadED and BulkHeadED registers point to Control and Bulk Descriptors List.

1.2 Architecture

The architecture of the USB host controller is shown below in [Figure 11–33](#).

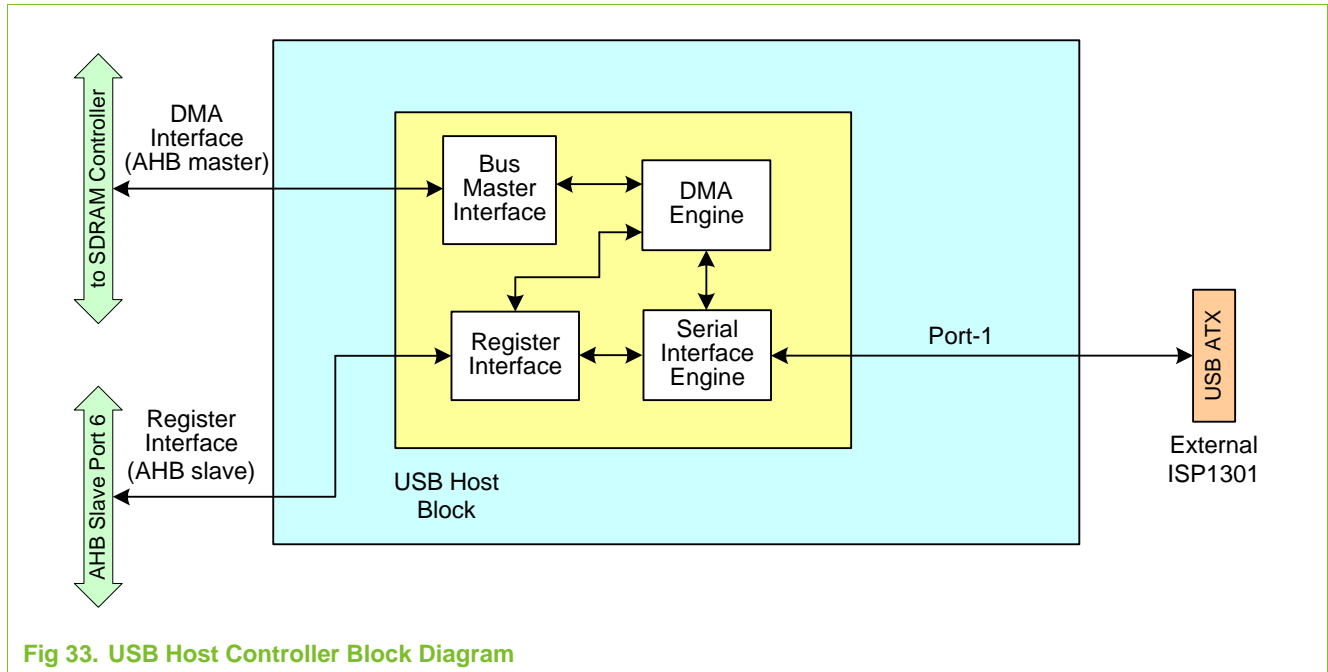


Fig 33. USB Host Controller Block Diagram

2. Interfaces

2.1 Pin description

Table 195. USB external interface

Name	Direction	Description
USB_I2C_SDA	I/OT	I ² C serial bus data ^[1]
USB_I2C_SCL	I/OT	I ² C serial bus clock ^[1]
USB_ATX_INT_N	I	Interrupt from transceiver
USB_OE_TP_N	I/O	Transmit enable for DAT/SE0
USB_DAT_VP	I/O	TX data / D+ receive
USB_SE0_VM	I/O	S. E. Zero transmit / D- receive

[1] Open drain pin requiring an external pull-up resistor

2.2 Software interface

The software interface of the USB host block consists of a register view and the format definitions for the endpoint descriptors. These two aspects are addressed in the next two subsections.

2.2.1 Register map

The following registers are located in the AHB clock 'cclk' domain. They can be accessed directly by the processor. All registers are 32 bit wide and aligned in the word address boundaries.

Table 196. USB Host register address definitions

Name	Address	R/W ⁽¹⁾	Function	Reset value
HcRevision	0x3102 0000	R	BCD representation of the version of the HCI specification that is implemented by the Host Controller.	0x10
HcControl	0x3102 0004	R/W	Defines the operating modes of the HC.	0x0
HcCommandStatus	0x3102 0008	R/W	This register is used to receive the commands from the Host Controller Driver (HCD). It also indicates the status of the HC.	0x0
HcInterruptStatus	0x3102 000C	R/W	Indicates the status on various events that cause hardware interrupts by setting the appropriate bits.	0x0
HcInterruptEnable	0x3102 0010	R/W	Controls the bits in the HcInterruptStatus register and indicates which events will generate a hardware interrupt.	0x0
HcInterruptDisable	0x3102 0014	R/W	The bits in this register are used to disable corresponding bits in the HcInterruptStatus register and in turn disable that event leading to hardware interrupt.	0x0
HcHCCA	0x3102 0018	R/W	Contains the physical address of the host controller communication area.	0x0
HcPeriodCurrentED	0x3102 001C	R	Contains the physical address of the current isochronous or interrupt endpoint descriptor.	0x0
HcControlHeadED	0x3102 0020	R/W	Contains the physical address of the first endpoint descriptor of the control list.	0x0
HcControlCurrentED	0x3102 0024	R/W	Contains the physical address of the current endpoint descriptor of the control list	0x0
HcBulkHeadED	0x3102 0028	R/W	Contains the physical address of the first endpoint descriptor of the bulk list.	0x0
HcBulkCurrentED	0x3102 002C	R/W	Contains the physical address of the current endpoint descriptor of the bulk list.	0x0
HcDoneHead	0x3102 0030	R	Contains the physical address of the last transfer descriptor added to the 'Done' queue.	0x0
HcFmInterval	0x3102 0034	R/W	Defines the bit time interval in a frame and the full speed maximum packet size which would not cause an overrun.	0x2EDF
HcFmRemaining	0x3102 0038	R	A 14-bit counter showing the bit time remaining in the current frame.	0x0
HcFmNumber	0x3102 003C	R	Contains a 16-bit counter and provides the timing reference among events happening in the HC and the HCD.	0x0
HcPeriodicStart	0x3102 0040	R/W	Contains a programmable 14-bit value which determines the earliest time HC should start processing a periodic list.	0x0
HcLSThreshold	0x3102 0044	R/W	Contains 11-bit value which is used by the HC to determine whether to commit to transfer a maximum of 8-byte LS packet before EOF.	0x628h
HcRhDescriptorA	0x3102 0048	R/W	First of the two registers which describes the characteristics of the root hub.	0xFF000902
HcRhDescriptorB	0x3102 004C	R/W	Second of the two registers which describes the characteristics of the Root Hub.	0x60000h

Table 196. USB Host register address definitions ...continued

Name	Address	R/W ^[1]	Function	Reset value
HcRhStatus	0x3102 0050	R/W	This register is divided into two parts. The lower D-word represents the hub status field and the upper word represents the hub status change field.	0x0
HcRhPortStatus[1]	0x3102 0054	R/W	Controls and reports the port events on a per-port basis.	0x0
HcRhPortStatus[2]	0x3102 0058	R/W	Controls and reports the port events on a per port basis.	0x0
Module_ID/Ver_Rev_ID	0x3102 00FC	R	IP number, where yy (0x00) is unique version number and zz (0x00) is a unique revision number.	0x3505yyzz

[1] The R/W column in [Table 11–196](#) lists the accessibility of the register:

- a) Registers marked 'R' for access will return their current value when read.
- b) Registers marked 'R/W' allow both read and write.

2.2.2 USB Host Register Definitions

Refer to the OHCI specification document on Compaq's website for register definitions.

1. Introduction

USB OTG (On-The-Go) is a supplement to the USB 2.0 specification that augments the capability of existing mobile devices and USB peripherals by adding host functionality for connection to USB peripherals. The specification and more information on USB OTG can be found on the usb.org website.

1.1 Features

- Fully compliant with On-The-Go supplement to the USB Specification 2.0 Revision 1.0.
- Supports Host Negotiation Protocol (HNP) and Session Request Protocol (SRP) for dual-role devices under software control. HNP is partially implemented in hardware.
- Provides programmable timers required for HNP and SRP.
- Supports slave mode operation through AHB slave interface.
- Supports the OTG ATX from Philips (ISP 1301) or any external CEA-2011OTG specification compliant ATX.

1.1.1 Architecture

The architecture of the USB OTG controller is shown below in [Figure 12–34](#).

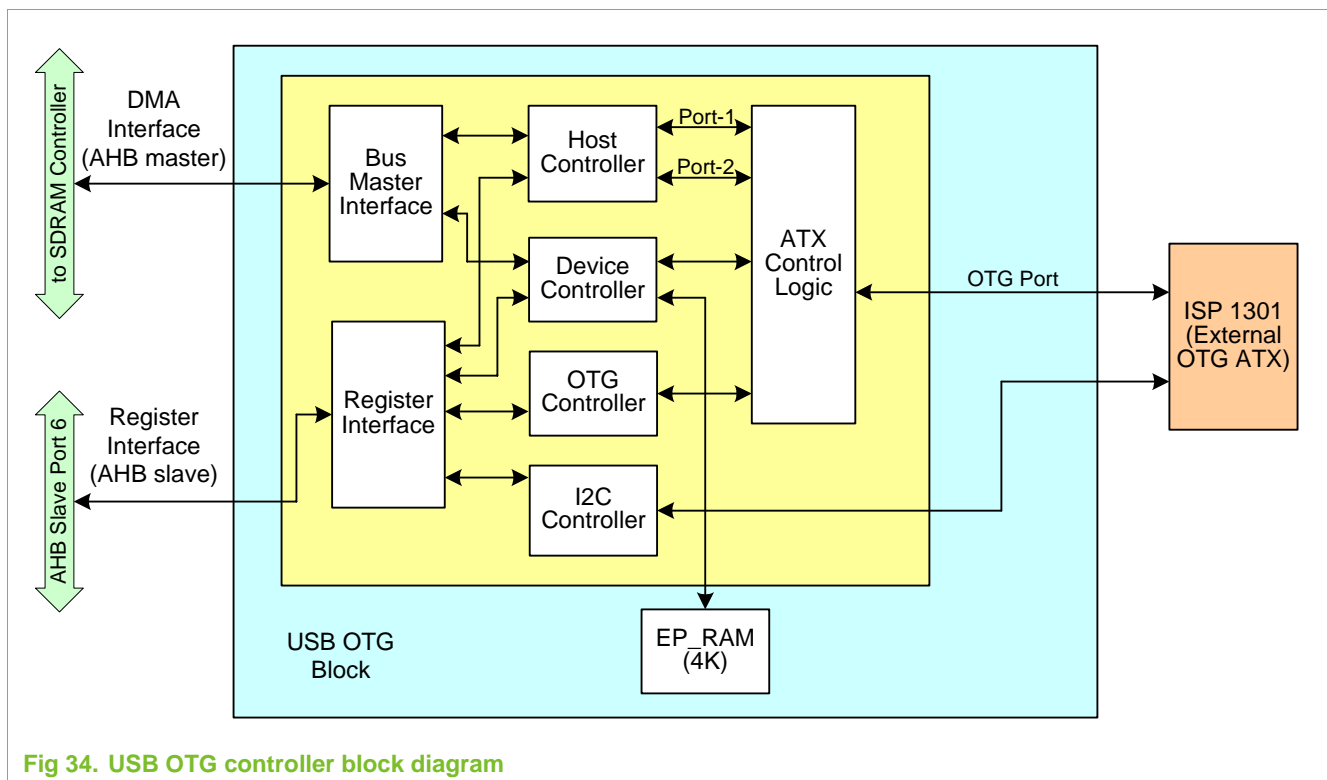


Fig 34. USB OTG controller block diagram

2. Modes of operation

Under software commands, the OTG controller is capable of operating in the following modes:

- USB OTG dual role device
- One port OHCI host (FS and LS)
- One port host or one port device

2.1 Pin description

Table 197. USB external interface

Name	Direction	Description
USB_I2C_SDA	I/OT	I ² C serial bus data ^[1]
USB_I2C_SCL	I/OT	I ² C serial bus clock ^[1]
USB_ATX_INT_N	I	Interrupt from transceiver
USB_OE_TP_N	I/O	Transmit enable for DAT/SE0
USB_DAT_VP	I/O	TX data / D+ receive
USB_SE0_VM	I/O	S. E. Zero transmit / D- receive

[1] Open drain pin requiring an external pull-up resistor

2.2 Software interface

The USB OTG controller contains a number of registers that are software programmable from the AHB slave system bus to determine configuration, control and status. All the registers are placed in the word aligned boundary. These are described as Device, Host, OTG and I²C registers. The Device and Host registers are explained in the *USB device controller* and *USB host (OHCI) controller* chapters.

2.3 Interrupts

The USB OTG controller has seven interrupt output lines. The interrupts `usb_dev_lp_int` and `usb_dev_hp_int` facilitate the transfer of data in slave mode. These two interrupt lines are provided to allow two different priority (high/low) levels in slave mode transfer. Each of the individual endpoint interrupts can be routed to either high priority or low priority levels using corresponding bits in the endpoint interrupt priority register. The interrupt level is triggered with active HIGH polarity. The external interrupt generation takes place only if the necessary 'enable' bits are set in the device interrupt enable register. Otherwise, they will be registered only in the status registers. The `usb_dev_dma_int` is raised when an `end_of_transfer` or a system error has occurred. DMA data transfer is not dependent on this interrupt. The interrupt `usb_host_int` is from the host block. The interrupt `usb_i2c_int` is from the I²C block. The interrupt `usb_otg_atx_int_n` is from the external transceiver. The interrupt `USB_otg_timer_int` is from the timer block. Device and Host interrupts also contribute to the `USB_INT` which can act as a start source in STOP mode. `usb_i2c_int`, `usb_otg_atx_int_n`, and `USB_otg_timer_int` can also act as a start source in STOP mode.

2.3.1 Register map

The following registers are located in the AHB clock domain. They can be accessed directly by the CPU. All registers are 32 bit wide and aligned on word address boundaries.

USB OTG registers are located in the address region 0x3102 0100 to 0x3102 0114. OTG Clock Control and Module ID registers are located in the address region 0x3102 0FF4 to 0x3102 0FFC. I²C registers are located in the address region 0x3102 0300 to 0x3102 0310.

Table 198. USB OTG and I²C register address definitions

Name	Address	R/W ^[1]	Function
OTG registers			
OTG_int_status	0x3102 0100	R	This register holds the status of the OTG interrupts
OTG_int_enable	0x3102 0104	R/W	This register is used for enabling the OTG interrupts
OTG_int_set	0x3102 0108	S	This register is used for setting the interrupts
OTG_int_clear	0x3102 010C	C	This register is used for clearing the interrupts
OTG_status	0x3102 0110	R/W	This register is used to monitor and control the operation of the OTG controller
OTG_timer	0x3102 0114	R/W	Timer to be used for various OTG time-out activities
I²C registers			
I2C_RX	0x3102 0300	R	Receive FIFO
I2C_TX	0x3102 0300	W	Transmit FIFO
I2C_STS	0x3102 0304	R	Status
I2C_CTL	0x3102 0308	R/W	Control
I2C_CLKHI	0x3102 030C	R/W	Clock division high, set to run min frequency
I2C_CLKLO	0x3102 0310	W	Clock division low, set to run min frequency
Clock control and module ID registers			
OTG_clock_control	0x3102 0FF4	R/W	Controls clocking of the OTG controller
OTG_clock_status	0x3102 0FF8	R	Clock availability status
OTG_module_id	0x3102 0FFC	R	IP_number, Version and Revision

[1] The R/W column in [Table 12–198](#) lists the accessibility of the register:

- a) Registers marked 'R' for access will return their current value when read.
- b) Registers marked 'S' for access allows individual bits to be set to '1' for each corresponding register bit. Bits set to '0' will not affect the value of the corresponding register bit. Reading an 'S' marked register will return an invalid value.
- c) Registers marked 'C' for access allows individual bits to be cleared by writing a value that has bits set to '1' for each corresponding register bit that needs to be set to '0'. Bits set to '0' will not affect the value of the corresponding register bit. Reading a 'C' marked register will return invalid value.
- d) Registers marked 'R/W' allow both read and write.

2.3.2 USB OTG Register Definitions

2.3.2.1 OTG interrupt status register²⁰ - (OTG_int_status - 0x3102 0100, R)

Table 199. OTG interrupt status register - (OTG_int_status - 0x3102 0100, R)

Bits	Name	Function	Reset value
31:4	-	Reserved	-
3	hnp_success	Set by the hardware when the interrupt event occurs. When software writes a value '1' into the OTG_int_clear register bit '3', this will be cleared by the hardware. If 'hnp_success_en' bit is set to '1', then the value in this register will be reflected on to the interrupt line. Refer to Section 12-2.3.3 "OTG switching" for details.	0
2	hnp_failure	Set by the hardware when the interrupt event occurs. When software writes a value '1' into the OTG_int_clear register bit '3', this will be cleared by the hardware. If 'hnp_failure_en' bit is set to '1', then the value in this register will be reflected on to the interrupt line. Refer to Section 12-2.3.3 "OTG switching" for details.	0
1	remove_pullup	Set by the hardware when the interrupt event occurs. When software writes a value '1' into the OTG_int_clear register bit '1', this will be cleared by the hardware. If 'Remove_pullup_en' bit is set to '1', then the value in this register will be reflected on to the interrupt line. Refer to Section 12-2.3.3 "OTG switching" for details.	0
0	timer_interrupt_status	Set by the hardware when the interrupt event occurs. When software writes a value '1' into the OTG_int_clear register bit '0', this will be cleared by the hardware. If "timer_interrupt_en" bit is set to '1', then the value in this register will be reflected on to the interrupt line.	0

2.3.2.2 OTG interrupt enable register - (OTG_int_enable - 0x3102 0104, R/W)

If the Interrupt Enable bit value is set, an external interrupt is generated (on OTG_timer_int interrupt line) when the corresponding bit in the interrupt status register is set. If it is not set, no external interrupt is generated but interrupt will still be held in the interrupt status register.

Table 200. OTG interrupt enable register - (OTG_int_enable - 0x3102 0104, R/W)

Bits	Name	Function	Reset value
31:4	-	Reserved	-
3	hnp_success_en	Enable/ disable timer interrupt. A value '1' in this register will enable the interrupt due to hnp_success.	0
2	hnp_failure_en	Enable/ disable timer interrupt. A value '1' in this register will enable the interrupt due to hnp_failure.	0
1	remove_pullup_en	Enable/ disable timer interrupt. A value '1' in this register will enable the interrupt due to remove_pullup.	0
0	timer_interrupt_en	Enable/ disable timer interrupt. A value '1' in this register will enable the interrupt due to timer.	0

20. Some of the interrupt status bits may carry different meanings, based on the context of operation (whether the switching is from 'B' to 'A' or 'A' to 'B')

2.3.2.3 OTG interrupt set register - (OTG_int_set - 0x3102 020C, S)

Setting a particular bit to '1' in this register will set the corresponding bit in the OTG_interrupt_status register. Writing a '0' will not have any influence.

Table 201. OTG interrupt set register - (OTG_int_set - 0x3102 020C, S)

Bits	Name	Function	Reset value
31:4	-	Reserved	-
3	hnp_success_set	If software writes a value '1' into this register, then the "hnp_success" bit will be set to '1' in OTG_int_status register.	-
2	hnp_failure_set	If software writes a value '1' into this register, then the "hnp_failure" bit will be set to '1' in OTG_int_status register.	-
1	remove_pullup_set	If software writes a value '1' into this register, then the "remove_pullup" bit will be set to '1' in OTG_int_status register.	-
0	timer_interrupt_set	If software writes a value '1' into this register, then the "timer_interrupt" bit will be set to '1' in OTG_int_status register.	-

2.3.2.4 OTG interrupt clear register - (OTG_int_clear - 0x3102 010C, C)

Setting a particular bit to '1' in this register causes the clearing of the interrupt by resetting the corresponding bit in the OTG_interrupt_status register. Writing a '0' will not have any influence.

Table 202. OTG interrupt clear register - (OTG_int_clear - 0x3102 010C, C)

Bits	Name	Function	Reset value
31:4	-	Reserved	-
3	hnp_success_clear	If software writes a value '1' into this register, then the "hnp_success" bit will be reset to '0' in OTG_int_status register.	-
2	hnp_failure_clear	If software writes a value '1' into this register, then the "hnp_failure" bit will be reset to '0' in OTG_int_status register.	-
1	remove_pullup_clear	If software writes a value '1' into this register, then the "remove_pullup" bit will be reset to '0' in OTG_int_status register.	-
0	timer_interrupt_clear	If software writes a value '1' into this register, then the "timer_interrupt" bit will be reset to '0' in OTG_int_status register.	-

2.3.2.5 OTG status and control register - (OTG_status - 0x3102 0110, R/W)

Table 203. OTG status and control register - (OTG_status - 0x3102 0110, R/W)

Bits	Name	Function	Reset value
31:16	Timer count status	The present count value of the timer is reflected here.	0x0
15:11	-	Reserved.	-
10	Pullup_removed	During a 'B' to 'A' hand over, when the software removes the D+ pull-up, this bit also should be set by the software. This is an indication to the hardware that, from now onwards, it can look for a connection from the 'A' device. Hardware will clear this bit, either when hnp_success or hnp_failure get reported, or when b_to_a_hnp_track bit is cleared by the software.	0

Table 203. OTG status and control register - (OTG_status - 0x3102 0110, R/W) ...continued

Bits	Name	Function	Reset value
9	a_to_b_hnp_track	Based on the context of OTG switching ('A' device to 'B' device switching), software can set this bit, so that OTG controller hardware can track the HNP related activities and can inform the software (OTG stack) through interrupt mechanism. All time critical activities are handled by the hardware and non-time critical ones are handled at the software level. Refer to Section 12-2.3.3 "OTG switching" . Hardware will clear this bit on time-out or on hnp_failure.	0
8	b_to_a_hnp_track	Based on the context of OTG switching ('B' device to 'A' device switching), software can set this bit, so that OTG controller hardware can track the HNP related activities and can inform the software (OTG stack) through interrupt mechanism. All time critical activities are handled by the hardware and non-time critical ones are handled at the software level. Refer to Section 12-2.3.3 "OTG switching" . Hardware will clear this bit on hnp_success or hnp_failure.	0
7	Transparent_I2C_en	This bit should be used only when the ISP 1301 is used in transparent I ² C mode. This will 3-state the OE pad and enables the internal pull-up for the pad. The interrupt source is also shifted from the USB_ATX_INT_N pin to the USB_OE_TP_N.	0
6	Timer_reset	Reset the Timer. Writing '1' to this register will reset the timer. This provides a single bit control for the software to restart the timer, when the timer is active.	0
5	Timer_enable	Start timer. A value '1' in this register will start the timer. If this bit is set to '0' while the timer is active, then the timer will get restarted, when the timer is enabled again.	0
4	Timer_mode	0=> monoshot, 1=> free running In monoshot mode, an interrupt will be generated at the end of the time-out count and the timer will be disabled. In free running mode, an interrupt will be generated when the time-out count is reached and the timer value will be reloaded into the counter. The timer is not disabled here.	0
3:2	Timer_scale	Timer granularity selection 0x00: 10 us (100 kHz) 0x01: 100 us (10 kHz) 0x10: 1000us (1 kHz) 0x11: Reserved	0x0
1	-	Reserved	-
0	Host_En	USB Host or Device selection 0x0 Device enabled 0x1 Host enabled	0

2.3.2.6 UART mode

The OTG Transceiver Interface Specification v0.92a specifies a "UART Mode", where SE0_VM and DAT_VP can be used as UART TX and RX (U5_RX and U5_TX) respectively. The differential transmitter, receiver, and the single ended receivers are not functional. By muxing U5_RX and otg_rx_data to the USB_DAT_VP pin and U5_TX and

otg_tx_se0 to the USB_SE0_VM pin of the transceiver, it is possible to use the D+ and D- pins for UART traffic (Rx to D+ and Tx to D-). The “UART Mode” must be set in the UART block as well as the in external transceiver.

The UART signaling level should be 2.8 V. To ensure this the ModeControl2[PSW_OE] bit is programmed to ‘0’ in the transceiver which means that the 1301’s ADR_PSW pin should be programmed to input (default after reset). This will cause external power switch to power transceiver with 2.8 V. Remember to set ModeControl2[PSW_OE] bit back to ‘1’ for 3.3 V USB operation when finished with UART mode.

The UART block is aware of the UART mode by setting the uart5_mode bit in the UART_CTRL[0] register. The uart5_rx will be ‘H’ default both in DAT/SE0 mode and UART mode. The UART block will see ‘H’ all the time during DAT/SE0 (and initial VP/VM) mode. The transceiver is put into UART Mode, by setting transceiver register ModeControl1[uart_en] = ‘1’. Additionally, the transceivers internal pull-up resistors should be enabled and pull-down resistors disabled (in that order) by first setting OTGControlSet[dp_pullup, dm_pullup] = ‘11’ and then OTGControlClear[dp_pulldown, dm_pulldown] = ‘11’.

All registers in the transceiver are accessed over I²C.

2.3.2.7 OTG timer register - (OTG_timer - 0x3102 0114, R/W)

Table 204. OTG timer register - (OTG_timer - 0x3102 0114, R/W)

Bits	Name	Function	Reset value
31:16	-	Reserved.	-
15:0	Timer Value	16-bit timer value to be counted. When the timer is enabled, the internal counter will be incremented based on the timer granularity. In mono mode, when the counter reaches timer value, an interrupt will be generated, and the timer will be disabled. In free running mode, when the counter reaches timer value, an interrupt will be generated, and counter will get a reset. The timer will not be disabled in this instance.	0xFFFF

2.3.2.8 OTG clock control register - (OTG_clock_control - 0x3102 0FF4, R/W)

This register controls the clocking of the OTG controller. Whenever software wants to access the registers, the corresponding clock control bit needs to be set. The software does not have to this exercise for every register access, provided that the corresponding OTG_clock_control bits are already set.

Table 205. OTG clock control register - (OTG_clock_control - 0x3102 0FF4, R/W)

Bits	Name	Function	Reset value
31:5	-	Reserved.	-
4	AHB_CLK_ON	AHB clock control. 0: Disable the AHB clock. 1: Enable the AHB clock.	0
3	OTG_CLK_ON	OTG clock control. 0: Disable the OTG clock. 1: Enable the OTG clock.	0

Table 205. OTG clock control register - (OTG_clock_control - 0x3102 0FF4, R/W) ...continued

Bits	Name	Function	Reset value
2	I2C_CLK_ON	I ² C clock control. 0: Disable the I ² C clock. 1: Enable the I ² C clock.	0
1	DEV_CLK_ON	Device clock control. 0: Disable the Device clock. 1: Enable the Device clock.	0
0	HOST_CLK_ON	Host clock control. 0: Disable the Host clock. 1: Enable the Host clock.	0

2.3.2.9 OTG clock status register - (OTG_clock_status - 0x3102 0FF8, R/W)

This register holds the clock availability status. The software should poll the otg_clock_status for the corresponding bit. If it is set, then software can go ahead with the register access. Software does not have to do this exercise for every access. If the otg_clock_control is already set before and the clock status information is already available to the software, then software can go ahead with normal register access, provided that the otg_clock_control content (respective bits) are not disturbed.

Table 206. OTG clock status register - (OTG_clock_status - 0x3102 0FF8, R/W)

Bits	Name	Function	Reset value
31:5	-	Reserved.	-
4	AHB_CLK_OK	AHB clock status. 0: AHB clock is not available. 1: AHB clock is available.	0
3	OTG_CLK_ON	OTG clock status. 0: OTG clock is not available. 1: OTG clock is available.	0
2	I2C_CLK_ON	I ² C clock status. 0: I ² C clock is not available. 1: I ² C clock is available.	0
1	DEV_CLK_ON	Device clock status. 0: Device clock is not available. 1: Device clock is available.	0
0	HOST_CLK_ON	Host clock status. 0: Host clock is not available. 1: Host clock is available.	0

2.3.2.10 OTG module id register - (OTG_module_id - 0x3102 0FFC, R)

Table 207. OTG module id register - (OTG_module_id - 0x3102 0FFC, R)

Bits	Name	Function	Reset value
31:16	IP_Number	USB OTG IP number.	0x3506
15:8	VER	Version Number.	0x02
7:0	REV	Revision Number.	0x08

2.3.2.11 I2C RX register - (I2C_RX - 0x3102 0300, R)

The I2C_RX is the top byte of the receive FIFO. The receive FIFO is 4 bytes deep. The Rx FIFO is flushed by a hard reset or by a soft reset (I2C_CTL bit 7). Reading an empty FIFO gives unpredictable data results.

Table 208. I2C RX register - (I2C_RX - 0x3102 0300, R)

Bits	Name	Function	Reset value
7:0	RX Data	Receive data.	-

2.3.2.12 I2C TX register - (I2C_TX - 0x3102 0300, W)

The TX is the top byte of the transmit FIFO. The transmit FIFO is 4 bytes deep.

The TX FIFO is flushed by a hard reset, soft reset (CTL bit 7), or if an arbitration failure occurs (STS bit 3). Data writes to a full FIFO are ignored.

The I2C_TX must be written for both write and read operations to transfer each byte. Bits [7:0] are ignored for master-receive operations. The master-receiver must write a dummy byte to the TX FIFO for each byte it expects to receive in the RX FIFO. When the STOP bit is set or the START bit is set to cause a RESTART condition on a byte written to the TX FIFO (master-receiver), then the byte read from the slave is not acknowledged. That is, the last byte of a master-receive operation is not acknowledged.

Table 209. I2C TX register - (I2C_TX - 0x3102 0300, W)

Bits	Name	Function	Reset value
9	STOP	1 = Issue a STOP condition after transmitting this byte.	-
8	START	1= Issue a START condition before transmitting this byte.	-
7:0	TX Data	Transmit data.	-

2.3.2.13 I2C STS register - (I2C_STS - 0x3102 0304, R)

The I2C_STS register provides status information on the Tx and Rx blocks as well as the current state of the external buses.

Table 210. I2C STS register - (I2C_STS - 0x3102 0304, R)

Bits	Name	Function	Reset value
31:12	-	Reserved	-
11	TFE	Transmit FIFO Empty. 0: TX FIFO contains valid data. 1: TX FIFO is empty TFE is set when the TX FIFO is empty and is cleared when the TX FIFO contains valid data.	1
10	TFF	Transmit FIFO Full. 0: TX FIFO is not full. 1: TX FIFO is full TFF is set when the TX FIFO is full and is cleared when the TX FIFO is not full.	0

Table 210. I2C STS register - (I2C_STS - 0x3102 0304, R) ...continued

Bits	Name	Function	Reset value
9	RFE	Receive FIFO Empty. 0: RX FIFO contains data. 1: RX FIFO is empty RFE is set when the RX FIFO is empty and is cleared when the RX FIFO contains valid data.	1
8	RFF	Receive FIFO Full (RFF). 0: RX FIFO is not full 1: RX FIFO is full This bit is set when the RX FIFO is full and cannot accept any more data. It is cleared when the RX FIFO is not full. If a byte arrives when the Receive FIFO is full, the SCL is held low until the CPU reads the RX FIFO and makes room for it.	0
7	SDA	The current value of the SDA signal.	-
6	SCL	The current value of the SCL signal.	-
5	Active	Indicates whether the bus is busy. This bit is set when a START condition has been seen. It is cleared when a STOP condition is seen.	0
4	DRSI	Slave Data Request (DRSI). 0: Slave transmitter does not need data. 1: Slave transmitter needs data. Once a transmission is started, the transmitter must have data to transmit as long as it isn't followed by a STOP condition or it will hold SCL low until more data is available. The Slave Data Request bit is set when the slave transmitter is data-starved. If the slave TX FIFO is empty and the last byte transmitted was acknowledged, then SCL is held low until the CPU writes another byte to transmit. This bit is cleared when a byte is written to the slave Tx FIFO.	0
3	DRMI	Master Data Request. 0: Master transmitter does not need data. 1: Master transmitter needs data. Once a transmission is started, the transmitter must have data to transmit as long as it isn't followed by a stop condition or it will hold SCL low until more data is available. The Master Data Request bit is set when the master transmitter is data-starved. If the master TX FIFO is empty and the last byte did not have a STOP condition flag, then SCL is held low until the CPU writes another byte to transmit. This bit is cleared when a byte is written to the master Tx FIFO.	0

Table 210. I2C STS register - (I2C_STS - 0x3102 0304, R) ...continued

Bits	Name	Function	Reset value
2	NAI	No Acknowledge. 0: Last transmission received an acknowledge. 1: Last transmission did not receive an acknowledge. After every byte of data is sent, the transmitter expects an acknowledge from the receiver. This bit is set if the acknowledge is not received. It is cleared when a byte is written to the master Tx FIFO.	0
1	AFI	Arbitration Failure. 0: No arbitration failure on last transmission. 1: Arbitration failure occurred on last transmission. When transmitting, if the SDA is low when SDAOUT is high, then this I ² C has lost the arbitration to another device on the bus. The Arbitration Failure bit is set when this happens. It is cleared by writing a '1' to bit 1 of the status register.	0
0	TDI	Transaction Done. 0: Transaction has not completed. 1: Transaction completed. This flag is set if a transaction completes successfully. It is cleared by writing a '1' to bit 0 of the status register. It is unaffected by slave transactions.	0

2.3.2.14 I2C CTL Register - (I2C_CTL - 0x3102 0308, R/W)

The I2C_CTL register is used to enable interrupts and reset the I²C state machine.

Table 211. I2C CTL Register - (I2C_CTL - 0x3102 0308, R/W)

Bits	Name	Function	Reset value
31:9	-	Reserved.	-
8	SRST	Soft reset. 1: Reset the I ² C to idle state. Self clearing. This is only needed in unusual circumstances if a device issues a start condition without issuing a stop condition. A system timer may be used to reset the I ² C if the bus remains busy longer than the time-out period. On a soft reset, the TX and RX FIFOs are flushed, I2C_STS register is cleared, and all internal state machines are reset to appear idle. The I2C_CLKHI, I2C_CLKLO and I2C_CTL (except Soft Reset Bit) are NOT modified by a soft reset.	0
7	TFFIE	Transmit FIFO Not Full Interrupt Enable. 0: Disable the TFFI. 1: Enable the TFFI. This enables the Transmit FIFO Not Full interrupt to indicate that more data can be written to the transmit FIFO. Note that this is not full. It is intended help the CPU to write to the I ² C block only when there is room in the FIFO and do this without polling the status register.	0

Table 211. I2C CTL Register - (I2C_CTL - 0x3102 0308, R/W) ...continued

Bits	Name	Function	Reset value
6	RFDAIE	Receive Data Available Interrupt Enable. 0: Disable the DAI. 1: Enable the DAI. This enables the DAI interrupt to indicate that data is available in the receive FIFO (i.e. not empty).	0
5	RFFIE	Receive FIFO Full Interrupt Enable. 0: Disable the RFFI. 1: Enable the RFFI. This enables the Receive FIFO Full interrupt to indicate that the receive FIFO cannot accept any more data.	0
4	DRSIE	Slave Transmitter Data Request Interrupt Enable. 0: Disable the DRSI interrupt. 1: Enable the DRSI interrupt. This enables the DRSI interrupt which signals that the slave transmitter has run out of data and the last byte was acknowledged, so the SCL line is being held low.	0
3	DRMIE	Master Transmitter Data Request Interrupt Enable. 0: Disable the DRMI interrupt. 1: Enable the DRMI interrupt. This enables the DRMI interrupt which signals that the master transmitter has run out of data, has not issued a STOP, and is holding the SCL line low.	0
2	NAIE	Transmitter No Acknowledge Interrupt Enable. 0: Disable the NAI. 1: Enable the NAI. This enables the NAI interrupt signalling that transmitted byte was not acknowledged.	0
1	AFIE	Transmitter Arbitration Failure Interrupt Enable. 0: Disable the AFI. 1: Enable the AFI. This enables the AFI interrupt which is asserted during transmission when trying to set SDA high, but the bus is driven low by another device.	0
0	TDIE	Transmit Done Interrupt Enable. 0: Disable the TDI interrupt. 1: Enable the TDI interrupt. This enables the TDI interrupt signalling that this I ² C issued a STOP condition.	0

2.3.2.15 I2C CLock High register - (I2C_CLKHI - 0x3102 030C, R/W)

The CLK register holds a terminal count for counting PERIPH_CLK clock cycles to create the high period of the slower I²C serial clock, SCL.

Table 212. I2C CLock High register - (I2C_CLKHI - 0x3102 030C, R/W)

Bits	Name	Function	Reset value
7:0	CDHI	Clock divisor high. This value is the number of PERIPH_CLK clocks the serial clock (SCL) will be high.	0x41

2.3.2.16 I2C Clock Low register - (I2C_CLKLO - 0x3102 0310, R/W)

The CLK register holds a terminal count for counting PERIPH_CLK clock cycles to create the low period of the slower I²C serial clock, SCL.

Table 213. I2C Clock Low register - (I2C_CLKLO - 0x3102 0310, R/W)

Bits	Name	Function	Reset value
7:0	CDLO	Clock divisor low. This value is the number of PERIPH_CLK clocks the serial clock (SCL) will be low.	0x41

2.3.3 OTG switching

The context of OTG controller operation is described in [Figure 12–35](#). The Host controller consist of a communication interface with the OHCI stack using a set of control and status registers as well as interrupts. The OTG stack with the OTG control block and device stack with device controller block are similar. The OTG stack also contains an interface to ISP 1301 (external OTG ATX) using the I²C interface as well as interrupts. During the SRP, the protocol events are handled by the OTG stack and the ISP 1301. During the HNP hand over sequence, some controlling events are time critical. It is better to handle them in hardware if system interrupt latency is fairly high (of the order of few milliseconds). The hardware required for doing these operations are incorporated inside the OTG control block. The software (OTG stack) has a well defined interface to this hardware using a set of control and interrupt status registers as well as interrupts. Here the software has the option of switching on the OTG control logic to track the time critical activities or to do it entirely in software (achieved through b_to_a_hnp_track and a_to_b_hnp_track register bits). If the hardware option is used, then during the handover sequence, the OTG control block will generate specific interrupt events to the OTG stack to do appropriate actions (with sufficient time granularity on the interrupt latency). In most cases, it could be around 20 ms.).

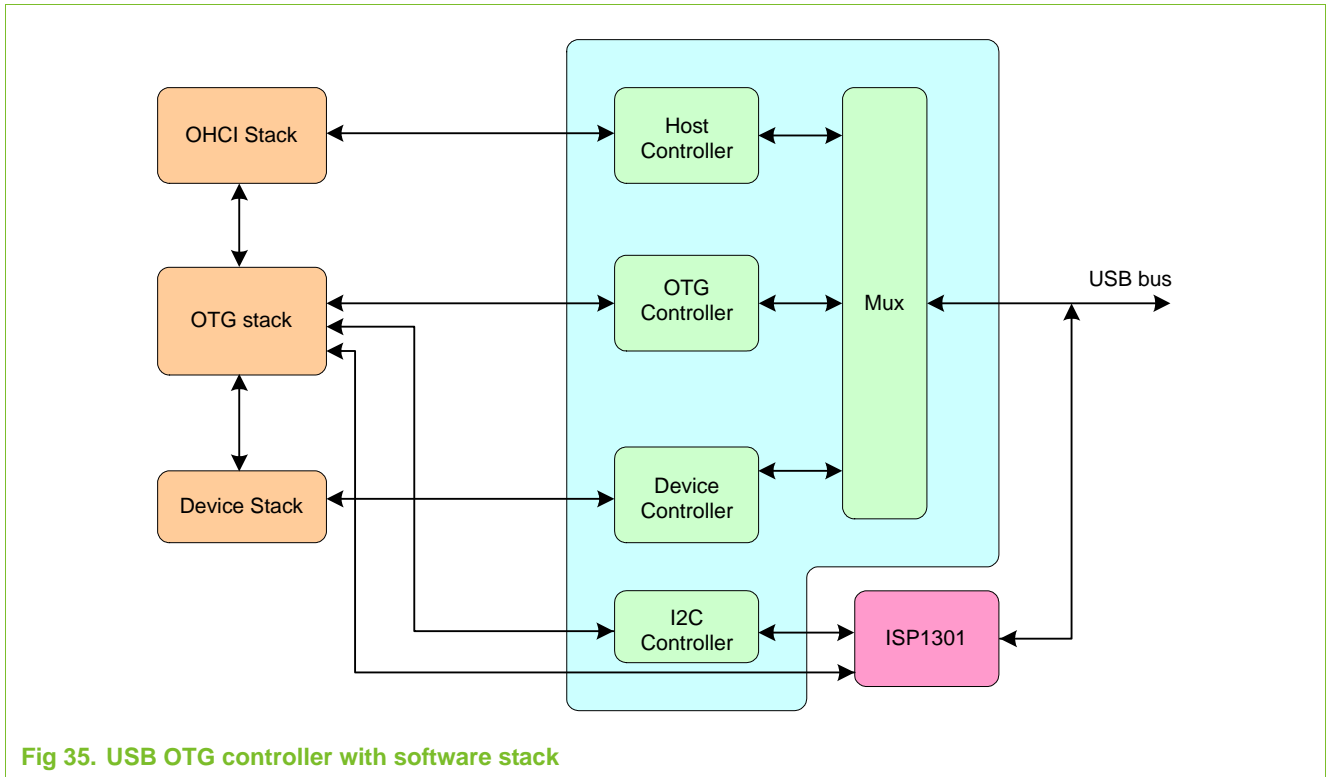


Fig 35. USB OTG controller with software stack

2.3.3.1 B to A HNP switching

The following are the actions ([Table 12-214](#)) required by the OTG hardware and the OTG stack during B (device) to A (host) handover sequence. The necessary steps are numbered in the sequence they appear.

Table 214. B to A HNP switching

No.	Controlling event	Action by hardware ^[1]	Action by software	Remarks
1.	Set feature command is executed by 'A' device.		When the 'B' device decides to become a host (B-> A) then software should set the b_to_a_hnp_track bit in the OTG_status and control register.	
2.	b_to_a_hnp_track bit is set.	Track the USB receive lines for suspend (Rx D+ and Rx D-).	-	Here the hardware will track the receive lines for 'J' condition for > 3ms.
3.	Receive line is idle for more than 3 ms (suspend condition).	An interrupt will be raised to the OTG stack, and remove_pullup bit will be set in the OTG_int_status register. The Rx D+ and Rx D- interface to Device controller will be isolated and will be placed under 'J' state. Continue monitoring the receive lines.	Once the interrupt is received, then OTG stack need to do the following actions in order. 1. Remove the D+ PULLUP (through I ² C and ISP1301). 2. Set the Pullup_removed bit in the OTG_status and control register. 3. At the end of the I ² C transaction (TDI bit set in I ² C), check whether the HNP failure bit is set or not. If set, then add the pull-up through I ² C. The action mentioned in '3' is required to avoid any race condition because of a resume or reset being generated from the 'A' device.	An interrupt will be raised by the Device controller indicating the suspend condition. This can be used by the Device controller stack for further processing. There is no interrupt latency issue. The 'B' device has around 150 ms time to respond with a removal of PULLUP. The Pullup_removed bit is used by the hardware if a 'J' condition is detected to determine whether it is due to the addition of pull-up by the 'A' device. Once the remove_pullup interrupt is generated, and before the actual removal of the pull-up, the 'A' device can cancel the hand over by placing a resume condition on the bus. The action mentioned as no '3' (HNP failure) in the previous column will take care of this.

Table 214. B to A HNP switching ...continued

No.	Controlling event	Action by hardware ^[1]	Action by software	Remarks
4.	Resume event detected or bus reset detected (on the receive lines) before the removal of PULLUP.	Remove isolation from the Host receive port. (OTG port connected back to device controller). Wait for Pullup_removed bit to get set. Once the Pullup_removed bit is set, then raise an interrupt to the OTG stack, and HNP failure bit will be set in the interrupt status register. Clear b_to_a_hnp_track bit. Clear Pullup_removed bit.	Once the interrupt is received, then OTG stack should add the D+ PULLUP (through I ² C and ISP1301). Go back to the peripheral state.	Resume detected become active, when 'K' condition exists on the bus for more than 25 μ s. Bus reset detected become active when SE0 detected on the bus for more than 3.2 ms. Once the interrupt is raised, the add pullup actions should be completed within ~17 ms. When the port is connected back to device controller, a suspend change event bit will be set in device controller. The device controller stack should be ready within ~17 ms to receive tokens from the 'A' device.
5.	Pullup_removed bit is set (no resume event detected).	Start a timer for 25 μ s.		The hardware will wait here for the timer to expire, to avoid any residual effects of the PULLUP removal.
6.	25 us timer expired.	Continue polling the receive lines for status change		The maximum time the hardware wait here is ~3.125 ms. Within this time, if any status change reported in USB receive lines, then appropriate actions are to be taken.

Table 214. B to A HNP switching ...continued

No.	Controlling event	Action by hardware ^[1]	Action by software	Remarks
7.	Resume detected or bus reset detected (after removal of PULLUP).	An interrupt will be raised to the OTG stack, and HNP failure bit will be set in the interrupt status register. Clear b_to_a_hnp_track bit. Clear Pullup_removed bit. Reset timer. OTG port is connected back to device controller.	Once the interrupt is received, then OTG stack should add the D+ PULLUP (through I ² C and ISP1301). Go back to the peripheral state.	Once the interrupt is raised, the add pullup actions should be completed in ~ 17 ms. When the port is connected back to device controller, a suspend change event bit will be set in device controller. This can be used by the Device controller stack for further processing.
8.	'J' detected (after removal of PULLUP).	An interrupt will be raised to the OTG stack, and HNP success bit will be set in the interrupt status register. Set the host_en bit. Clear pullup_removed bit. Change the Host controller internal receive port status to 'J' (SE0 to J transition). Start sending reset on the USB bus. Monitor the Host controller transmit lines (Tx D+, Tx D- and tx_en_n) for SE0 condition.	Once the Interrupt is received, change the status to b_host. Once this is happened, the OHCI driver should reset the port (10 ms).	The status change in Host controller port will be treated as a new full speed connection by the Host root hub function. This will result in a root hub status change interrupt being raised to OHCI stack. The 'J' detection must be sensed through a debounce circuit(2.5 μs).
9.	Host starts sending bus reset.	Connect the OTG port to Host controller. Stop driving bus reset on USB bus. Clear b_to_a_hnp_track bit Reset timer. Clear Pullup_removed bit.		From this point onwards, Host controller will send bus reset on USB bus for another 10 ms.

[1] In many instances, the same event causes two levels of interrupts being generated from the hardware. This may not be a desirable situation, unless it is properly handled. One possible solution could be, when the OTG stack is active for a hand over, then all actions based on interrupt are initiated by the OTG stack. This means, the OTG stack provides the communication to device and OHCI stack. All Device and Host specific interrupts are ignored.

2.3.3.2 A to B HNP Switching

The following are the actions (Table 12–215) required by the OTG controller hardware and the OTG stack during a "A" (host) to "B" (device) hand over sequence.

Table 215. A to B HNP switching

No.	Controlling event	Action by hardware	Action by software	Remarks
1.			OTG stack generates the set feature command through the Host function (software).	
2.			Set the "BDIS_ACON_EN" bit in the ISP 1301.	This will be set by the software once it is ready for a hand over. When this bit is set, the software should make sure that, the other side present 'B' device will not respond back with any USB packet (only SOF on the USB bus).
3.			Set the "a_to_b_hnp_track" bit in OTG_status and control register. Suspend the traffic on the OTG port. Load and enable the timer.	The timer value is loaded by software and should correspond to at least 150 ms interval.
4.	a_to_b_hnp_track bit set.	Poll the status on the Receive USB lines for suspend.	-	This bit is set by software before the OTG port get into suspend state. Software enables a timer.
5.	USB bus goes into suspend state.	Isolate Internal Host receive port (drive 'J'). Poll the status on the Receive USB lines.		
6.	Resume detected, when the timer is active	Connect the Host port to OTG port. Clear a_to_b_hnp_track bit. Disable timer. Set HNP failure bit in the interrupt status register. Generate Interrupt to OTG stack.	Clear "BDIS_ACON_EN" bit in ISP 1301. Go back to the a_host state.	A J-> K transition is treated as resume here, and can come from the downstream device (reflected on the receive D+ and D- lines).

Table 215. A to B HNP switching ...continued

No.	Controlling event	Action by hardware	Action by software	Remarks
7.	Timer expired.	Connect the Host port to OTG port. Clear a_to_b_hnp_track bit. Disable timer. Set hnp_failure and timer_interrupt_status bit in the OTG_int_status register. Generate Interrupt to OTG stack.	Clear "BDIS_ACON_EN" bit in ISP 1301. If HNP failure bit and the timer_interrupt_status bit are set, then go to a_wait_vfall state.	
8.	ISP 1301 generates BDIS_ACON_EN interrupt		No action	
9.	Bus reset detected on USB lines.	Set HNP success interrupt. Set host_en to '0'. Clear a_to_b_hnp_track bit. Disable timer. go back to IDLE state.	Transition to peripheral state.	When the host_en bit is set to '0'. Internal Host port will see "SE0" condition. This will signal a disconnect event to the OHCI software.

2.4 External transceiver interface

Figure 12–36 shows physical connectivity of ISP_1301 external ATX device with OTG controller.

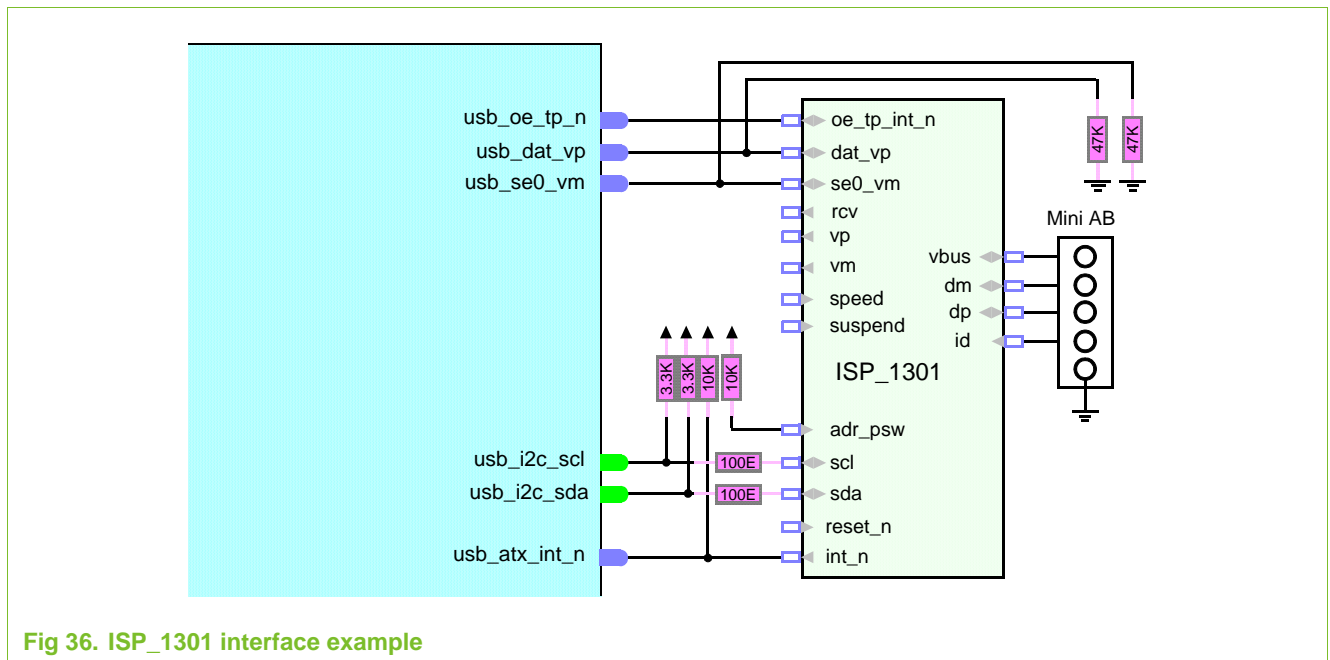


Fig 36. ISP_1301 interface example

1. Introduction

The LPC3180 contains seven UARTs, four of which are standard UARTs, downwards compatible with the INS16Cx50. These UARTs are described in this chapter. The remaining three UARTS are high speed UARTs, and are described in another chapter.

2. Features

- Each standard UART has 64 byte Receive and Transmit FIFOs.
- Receiver FIFO trigger points at 16, 32, 48, and 60 bytes.
- Transmitter FIFO trigger points at 0, 4, 8, and 16 bytes.
- Register locations conform to '550 industry standard.
- Each standard UART has a fractional rate pre-divider and an internal baud rate generator.
- The standard UARTs support 3 clocking modes: on, off, and auto-clock. The auto-clock mode shuts off the clock to the UART when it is idle.
- UART 6 includes an IrDA mode to support infrared communication.
- The standard UARTs are designed to support data rates of 2400; 4800; 9,600; 19,200; 38,400; 57,600; 115,200; 230,400; and 460,800 bps.
- Each UART includes an internal loopback mode.

3. Pin description

Table 216. Standard UART Pin Description

Pin name	Type	Description
Un_RX	Input	Receive data input. Serial data to the UART is input on this pin for UARTs 3, 4, and 5.
Un_TX	Output	Transmit data output. Serial data from the UART is output on this pin for UARTs 3, 4, and 5.
U6_IRRX	Input	Receive data input. Serial data to UART 6 is input on this pin. UART 6 supports a selectable IrDA mode.
U6_IRTX	Output	Transmit data output. Serial data from UART6 is output on this pin. UART 6 supports a selectable IrDA mode.

4. Functional description

The architecture of the standard UARTs is shown in the block diagram, [Figure 13–37](#). The UART receiver monitors the serial input line for valid input. The UART Rx Shift Register (RSR) accepts valid characters via the Un_RX pin. After a valid character is assembled in the RSR, it is passed to the UART Rx Buffer Register FIFO to await access by the CPU.

The UART transmitter accepts data written by the CPU or host and buffers the data in the UART Tx Holding Register FIFO (THR). The UART Tx Shift Register (TSR) reads the data stored in the THR and assembles the data to transmit via the serial output pin, Un_TX.

The UART Baud Rate Generator block generates the timing used by the UART transmitter and receiver. The interrupt interface contains registers IER and IIR. Status information from the Tx and Rx lines is stored in the LSR register. Control information for the Tx and Rx lines is stored in the LCR register. The FCR register controls the FIFOs for the Rx and Tx lines.

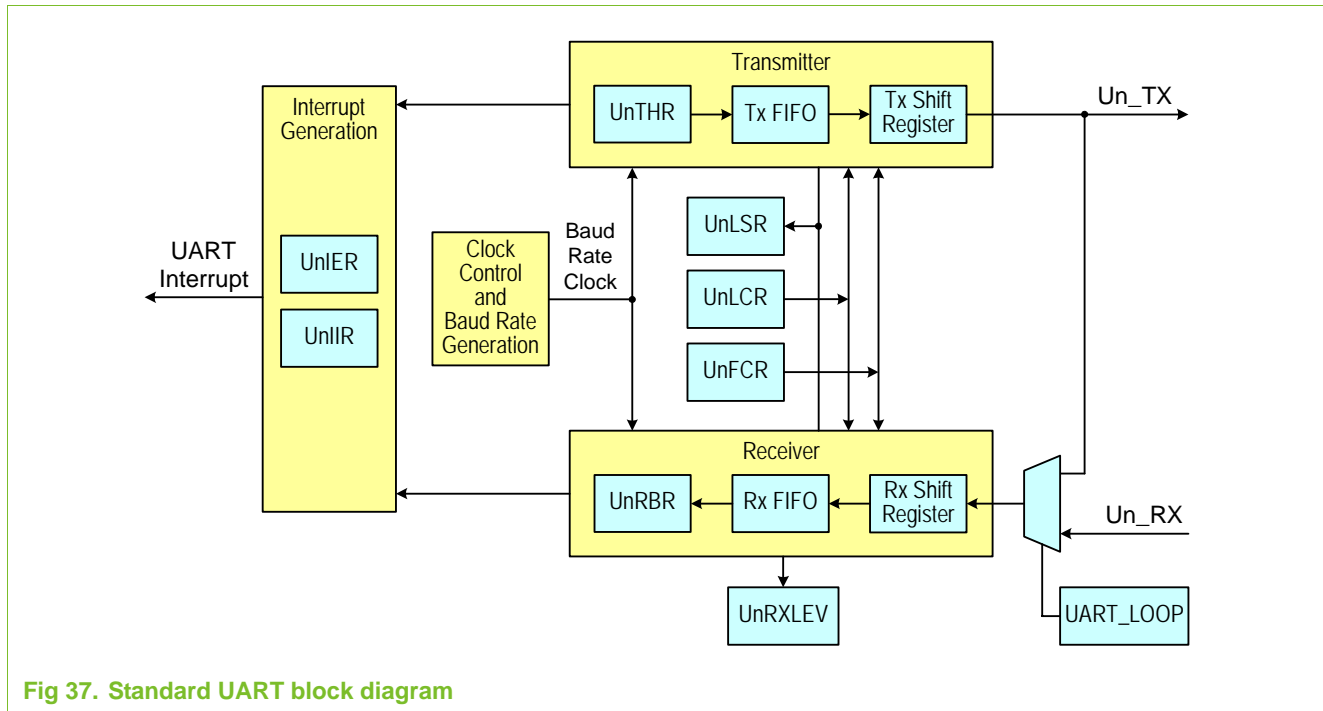


Fig 37. Standard UART block diagram

4.1 UART clock modes

Each UART has three clock modes, on, off and autoclock mode. In the on mode, the clock to the UART is always on, in off mode the clock is always off.

In the autoclock mode, the clock is normally switched off but is automatically switched on by hardware when required. The automatic function works for both transmit and receive. An incoming start bit is detected and turns the receiver clock on. The clock is switched off again when the receiver goes idle. When data is written to the transmit buffer, the clock is switched on, and remains on until the last data is transmitted. The clock control mechanism is applied to all parts of the UART and may be used to save power.

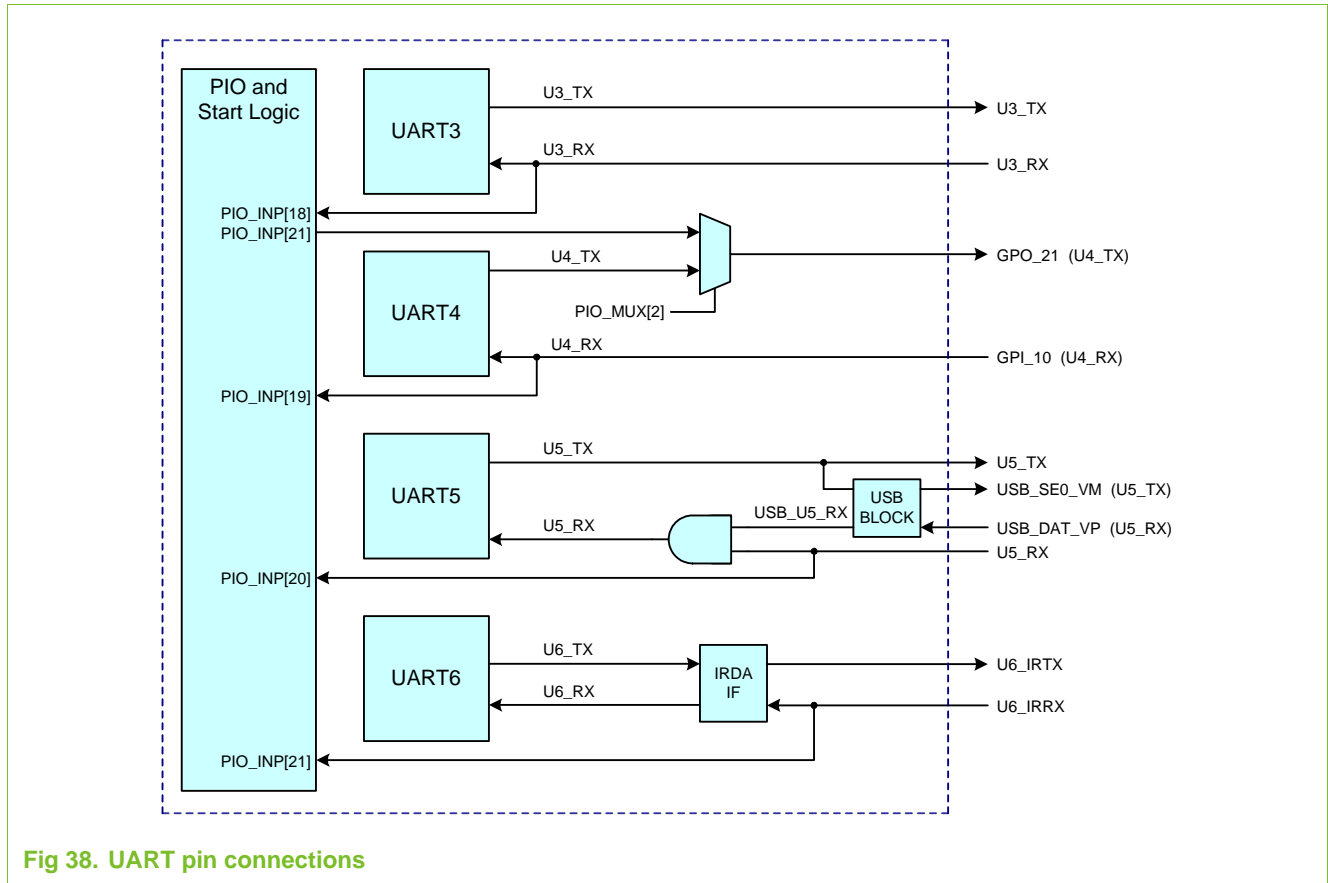


Fig 38. UART pin connections

5. UART base addresses

Table 217. Standard UART base addresses

UART	Base address
3	0x4008 0000
4	0x4008 8000
5	0x4009 0000
6	0x4009 8000

6. Register description

6.1 Primary UART control registers

Each standard UART contains registers as shown in [Table 13–218](#). Address offsets are shown in the first column. Each UART contains that register at the base address from [Table 13–217](#) plus the offset value from [Table 13–218](#).

Table 218. Registers for each standard UART

Address Offset	Name	Description	Bit 7	Bit 6	Bit 5	Bit 4	Bit 3	Bit 2	Bit 1	Bit 0	Type	Reset value	
0x00 (DLAB = 0) ^[1]	UnRBR	Receiver Buffer Register	MSB			READ DATA				LSB		RO	-
0x00 (DLAB = 0) ^[1]	UnTHR	Transmit Holding Register	MSB			WRITE DATA				LSB		WO	-
0x00 (DLAB = 1) ^[1]	UnDLL	Divisor Latch Lower Byte	MSB							LSB		R/W	0x01
0x04 (DLAB = 1) ^[1]	UnDLM	Divisor Latch Upper Byte	MSB							LSB		R/W	0
0x04 (DLAB = 0) ^[1]	UnIER	Interrupt Enable Register	Reserved				Modem Status Interrupt Enable	Rx Line Status Interrupt Enable	THRE Interrupt Enable	Rx Data Avail. Interrupt Enable	R/W	0	
0x08	UnIIR	Interrupt ID Register	(2 copies of FCR[0])		Reserved		Interrupt ID			Interrupt Pending	RO	0x01	
0x08	UnFCR	FIFO Control Register	Rx Trigger Level Select		Tx Trigger Level Select		DMA Mode Select	Tx FIFO Reset	Rx FIFO Reset	FIFO Enable	WO	0	
0x0C	UnLCR	Line Control Register	Divisor Latch Access Bit (DLAB)	Break Control	Parity Select		Parity Enable	Stop Bit Select	Word Length Select		R/W	0	
0x14	UnLSR	Line Status Register	Rx FIFO Error	Transmitter Empty	Transmit Holding Reg. Empty	Break Interrupt (BI)	Framing Error (FE)	Parity Error (PE)	Overrun Error	Receiver Data Ready	RO	0x60	
0x1C	UnRXLEV	Receive FIFO Level Register	Reserved			Rx Level						RO	0

[1] The Divisor Latch Access Bit (DLAB) is contained in UnLCR[7]. When DLAB = 1, the Divisor Latches are accessible and the Receiver Buffer Register, Transmit Holding Register, and Interrupt Enable Register are not accessible.

6.2 Additional UART control registers

There are additional registers in a separate address space that control other aspects of the standard UARTs. These are shown in [Table 13–219](#).

Table 219. Additional control registers for standard UARTs

Address	Name	Description	Reset State	Access
0x4000 40D0	U3CLK	UART 3 Clock Control Register	0	R/W
0x4000 40D4	U4CLK	UART 4 Clock Control Register	0	R/W
0x4000 40D8	U5CLK	UART 5 Clock Control Register	0	R/W
0x4000 40DC	U6CLK	UART 6 Clock Control Register	0	R/W
0x4000 40E0	IRDACLK	IrDA Clock Control Register	0	R/W
0x4005 4000	UART_CTRL	UART Clock Control Register	0	R/W
0x4005 4004	UART_CLKMODE	UART Clock Mode Register	0	R/W
0x4005 4008	UART_LOOP	UART Loopback Control Register	0	R/W

6.3 UART Receiver Buffer Register (UnRBR - 0x4008 0000, 0x4008 8000, 0x4009 0000, 0x4009 8000)

The UnRBR register allows reading the top byte of the Receiver FIFO of UARTn. The top byte of the Rx FIFO contains the oldest character received. Bit 0 always contains the first received data bit. If the character received is less than 8 bits, the unused MSBs are padded with zeroes.

The Divisor Latch Access Bit (DLAB) in the UnLCR register must be zero in order to access the UnRBR register. UnRBR is a Read Only register.

Since PE, FE and BI bits in the UnLSR register correspond to the byte sitting on the top of the RBR FIFO (i.e. the byte that will be provided in the next read from UnRBR), the approach for fetching the valid pair of received byte and its associated status bits is to first read the status from UnLSR, and then to read a data byte from UnRBR.

Table 220. UART Receiver Buffer Register (UnRBR - 0x4008 0000, 0x4008 8000, 0x4009 0000, 0x4009 8000)

UnRBR	Function	Description	Reset value
7:0	Receiver Buffer Register	The UARTn Receiver Buffer Register contains the oldest received byte in the UARTn Rx FIFO.	0

6.4 UARTn Transmitter Holding Register (UnTHR - 0x4008 0000, 0x4008 8000, 0x4009 0000, 0x4009 8000)

The UnTHR register accesses the top byte of the Transmit FIFO of UARTn. The top byte is the newest character in the Tx FIFO. The LSB represents the first bit to transmit.

The Divisor Latch Access Bit (DLAB) in the UnLCR register must be zero in order to access the UnTHR register. UnTHR is a Write Only register.

Table 221. UARTn Transmitter Holding Register (UnTHR - 0x4008 0000, 0x4008 8000, 0x4009 0000, 0x4009 8000)

UnTHR	Function	Description	Reset value
7:0	Transmit Holding Register	Writing to the UARTn Transmit Holding Register causes the data to be stored in the UARTn transmit FIFO. The byte will be sent when it reaches the bottom of the FIFO and the transmitter is available.	N/A

6.5 UARTn Divisor Latch LSB Register (UnDLL - 0x4008 0000, 0x4008 8000, 0x4009 0000, 0x4009 8000); UARTn Divisor Latch MSB Register (UnDLM - 0x4008 0004, 0x4008 8004, 0x4009 0004, 0x4009 8004)

The UARTn Divisor Latch is part of the UARTn Baud Rate Generator and holds the value used to divide the UART clock in order to produce the baud rate clock, which must be 16× the desired baud rate. The UnDLL and UnDLM registers together form a 16 bit divisor where UnDLL contains the lower 8 bits of the divisor and UnDLM contains the higher 8 bits of the divisor. If both registers together contain a 0, it is treated as a 1 value in order to prevent division by zero. Refer to the Baud Rate Calculation section of this chapter for complete information on rate programming.

The Divisor Latch Access Bit (DLAB) in the UnLCR register must be one in order to access the UARTn Divisor Latches.

Table 222. UARTn Divisor Latch LSB Register (UnDLL - 0x4008 0000, 0x4008 8000, 0x4009 0000, 0x4009 8000)

UnDLL	Function	Description	Reset value
7:0	Divisor Latch LSB Register	The UARTn Divisor Latch LSB Register, along with the UnDLM register, determines the baud rate of the UARTn.	0x01

Table 223. UARTn Divisor Latch MSB Register (UnDLM - 0x4008 0004, 0x4008 8004, 0x4009 0004, 0x4009 8004)

UnDLM	Function	Description	Reset value
7:0	Divisor Latch MSB Register	The UARTn Divisor Latch MSB Register, along with the UnDLL register, determines the baud rate of the UARTn.	0

6.6 UARTn Interrupt Enable Register (UnIER - 0x0x4008 0004, 0x4008 8004, 0x4009 0004, 0x4009 8004)

The UnIER register is used to enable the four interrupt sources available in each UART, as shown in [Table 13–224](#).

The Divisor Latch Access Bit (DLAB) in the UnLCR register must be one in order to access the UARTn Divisor Latches.

Table 224. UARTn Interrupt Enable Register (UnIER - 0x0x4008 0004, 0x4008 8004, 0x4009 0004, 0x4009 8004)

UnIER	Function	Description	Reset value
7:3	Reserved	Reserved, user software should not write ones to reserved bits. The value read from a reserved bit is not defined.	-
2	Rx Line Status Interrupt Enable	This bit enables the UARTn Receiver Line Status interrupt. This interrupt reflects Overrun Error, Parity Error, Framing Error, and Break conditions. The status of this interrupt can be read from UnLSR[4:1]. 0: Disable the Rx line status interrupts. 1: Enable the Rx line status interrupts.	0
1	THRE Interrupt Enable	This bit enables the Transmit Holding Register Empty (THRE) interrupt for UARTn. The status of this interrupt can be read from UnLSR[5]. 0: Disable the THRE interrupt. 1: Enable the THRE interrupt.	0
0	RDA Interrupt Enable	This bit enables the Receive Data Available (RDA) interrupt for UARTn. 0: Disable the RDA interrupt. 1: Enable the RDA interrupt.	0

6.7 UARTn Interrupt Identification Register (UnIIR - 0x4008 0008, 0x4008 8008, 0x4009 0008, 0x4009 8008)

The UnIIR is a read-only register that provides a status code that denotes the source of a pending interrupt. The interrupts are frozen during an access to UnIIR. If an interrupt occurs during an UnIIR access, the interrupt is recorded for the next UnIIR access.

Table 225. UARTn Interrupt Identification Register (UnIIR - 0x4008 0008, 0x4008 8008, 0x4009 0008, 0x4009 8008)

UnIIR	Function	Description	Reset value
7:6	FIFO Enable	These bits contain the same value as UnFCR[0].	0
5:4	Reserved	Reserved, user software should not write ones to reserved bits. The value read from a reserved bit is not defined.	-
3:1	Interrupt Identification	If the Interrupt Pending flag (bit 0 of this register) = 0, then the value of this field identifies the cause of the interrupt. The encoding of UnIIR[3:0] is shown in Table 13–226 .	0
0	Interrupt Pending	This flag indicates when there are no UARTn related interrupts pending. Note that this bit is active LOW. The pending interrupt can be determined by evaluating UnIIR[3:0]. 0: At least one interrupt is pending. 1: No pending interrupts.	1

Interrupts are identified as described in [Table 13–226](#). Given the value of UnIIR[3:0], an interrupt handler routine can determine the cause of the interrupt and how to clear the active interrupt. The UnIIR must be read in order to clear the interrupt prior to exiting the Interrupt Service Routine.

The UARTn RLS interrupt (UnIIR[3:0] = 0110) is the highest priority interrupt and is set whenever any one of four error conditions occur on the UARTn Rx input: overrun error (OE), parity error (PE), framing error (FE) and break interrupt (BI). The UARTn Rx error condition that set the interrupt can be observed via UnLSR[4:1]. The interrupt is cleared by an UnLSR read.

The UARTn RDA interrupt (UnIIR[3:0] = 0100) shares the second level priority with the CTI interrupt (UnIIR[3:0] = 1100). When the receive FIFO is enabled, the RDA is activated when the UARTn Rx FIFO reaches the trigger level defined in UnFCR[7:6] and is reset when the UARTn Rx FIFO depth falls below the trigger level. When the RDA interrupt goes active, the CPU can read a block of data defined by the trigger level. When the receive FIFO is disabled, the RDA is activated when any received data is available.

The CTI interrupt (UnIIR[3:0] = 1100) is a second level interrupt and is set when the UARTn Rx FIFO contains at least one character and no UARTn Rx FIFO activity has occurred in 4 character times. Any UARTn Rx FIFO activity (read or write of UARTn RSR) will clear the interrupt. This interrupt is intended to flush the UARTn RBR after a message has been received that is not a multiple of the trigger level size. For example, if a peripheral wished to send a 105 character message and the trigger level was 10 characters, the CPU would receive 10 RDA interrupts resulting in the transfer of 100 characters and 1 to 5 CTI interrupts (depending on the service routine) resulting in the transfer of the remaining 5 characters.

Table 226. UARTn interrupt handling

UnIIR [3:0]	Priority	Interrupt type	Interrupt source	Method of clearing interrupt
0x1	-	none	none	-
0x6	1 (High)	Receiver Line Status (RLS)	OE (Overrun Error), PE (Parity Error), FE (Framing Error), or BI (Break Indication). Note that an RLS interrupt is asserted immediately rather than waiting for the corresponding character to reach the top of the FIFO.	Read of UnLSR.
0x4	2	Receiver Data Available (RDA)	When the FIFO is turned off (UnFCR[0] = 0), this interrupt is asserted when receive data is available. When the FIFO is turned on (UnFCR[0] = 1), this interrupt is asserted when the receive trigger level (as specified by UnFCR[7:6]) has been reached in the FIFO.	Read of UnRBR when UnFCR[0] = 0, or UARTn FIFO contents go below the trigger level when UnFCR[0] = 1.
0xC	2	Character Time-out Indication (CTI)	This case occurs when there is at least one character in the Rx FIFO and no character has been received or removed from the FIFO during the last 4 character times.	Read of UnRBR, or a Stop bit is received.
0x2	3	Transmit Holding Register Empty (THRE)	When the FIFO is turned off (UnFCR[0] = 0), this interrupt is asserted when the transmit holding register is empty. When the FIFO is turned on (UnFCR[0] = 1), this interrupt is asserted when the transmit trigger level (as specified by UnFCR[5:4]) has been reached in the FIFO.	Read of UnIIR or write to THR.

The UARTn THRE interrupt (UnIIR[3:0] = 0010) is a third level interrupt and is activated when the UARTn THR FIFO empties out to a specific level. When the FIFO is enabled, the THRE interrupt occurs when the Tx FIFO level is below the threshold set in the Tx Trigger Level Select field in the UnFCR register (described later in this chapter). When the FIFO is disabled, the THRE interrupt occurs when the Tx FIFO is empty. The THRE interrupt is reset when a UnTHR write occurs or a read of the UnIIR occurs and the THRE is the highest interrupt (UnIIR[3:1] = 001).

6.8 UARTn FIFO Control Register (UnFCR - 0x4008 0008, 0x4008 8008, 0x4009 0008, 0x4009 8008)

The UnFCR controls the operation of the UARTn Rx and Tx FIFOs. Bits in UnFCR allow enabling the FIFOs, resetting the FIFOs, and selecting the FIFO trigger levels. Details are shown in [Table 13–227](#).

Table 227. UARTn FIFO Control Register (UnFCR - 0x4008 0008, 0x4008 8008, 0x4009 0008, 0x4009 8008)

UnFCR	Function	Description	Reset value
7:6	Receiver Trigger Level Select	These two bits determine how many receiver UARTn FIFO characters must be present before an interrupt is activated. 00: trigger level = 16 01: trigger level = 32 10: trigger level = 48 11: trigger level = 60	0
5:4	Transmitter Trigger Level Select	These two bits determine the level of the UARTn transmitter FIFO causes an interrupt. 00: trigger level = 0 01: trigger level = 4 10: trigger level = 8 11: trigger level = 16	0
3	FIFO Control	Internal UARTn FIFO control. This bit must be set to 1 for proper FIFO operation.	0
2	Transmitter FIFO Reset	Writing a logic 1 to UnFCR[2] will clear all bytes in UARTn Tx FIFO and reset the pointer logic. This bit is self-clearing.	0
1	Receiver FIFO Reset	Writing a logic 1 to UnFCR[1] will clear all bytes in UARTn Rx FIFO and reset the pointer logic. This bit is self-clearing.	0
0	FIFO Enable	UARTn transmit and receive FIFO enable. Any transition on this bit will automatically clear the UARTn FIFOs. 0: UARTn Rx and Tx FIFOs disabled. 1: UARTn Rx and Tx FIFOs enabled and other UnFCR bits activated.	0

6.9 UARTn Line Control Register (UnLCR - 0x4008 000C, 0x4008 800C, 0x4009 000C, 0x4009 800C)

The UnLCR determines the format of the data character that is to be transmitted or received.

Table 228. UARTn Line Control Register (UnLCR - 0x4008 000C, 0x4008 800C, 0x4009 000C, 0x4009 800C)

UnLCR	Function	Description	Reset value
7	Divisor Latch Access Bit	Allows access to the alternate registers at address offsets 0 and 4. 0: Disable access to the baud rate Divisor Latches, enabling access to UnRBR, UnTHR, and UnIER. 1: Enable access to the baud rate Divisor Latches, disabling access to UnRBR, UnTHR, and UnIER.	0
6	Break Control	Allows forcing the Un_TX output low in order to generate a break condition. 0: Disable break transmission 1: Enable break transmission.	0
5:4	Parity Select	If bit UnLCR[3] = 1, selects the type of parity used by the UART. 00: Odd parity 01: Even parity 10: Forced "1" stick parity 11: Forced "0" stick parity	0
3	Parity Enable	Selects the whether or not the UART uses parity. 0: Disable parity generation and checking 1: Enable parity generation and checking	0
2	Stop Bit Select	Selects the number of stop bits used by the UART. 0: 1 stop bit 1: 2 stop bits (1.5 if UnLCR[1:0] = 00)	0
1:0	Word Length Select	Selects the character length (in bits) used by the UART. 00: 5 bit character length 01: 6 bit character length 10: 7 bit character length 11: 8 bit character length	0

6.10 UARTn Line Status Register (UnLSR - 0x4008 0014, 0x4008 8014, 0x4009 0014, 0x4009 8014)

The UnLSR is a read-only register that provides status information on the UARTn Tx and Rx blocks.

Table 229. UARTn Line Status Register (UnLSR - 0x4008 0014, 0x4008 8014, 0x4009 0014, 0x4009 8014)

UnLSR	Function	Description	Reset value
7	FIFO Rx Error	This bit is set when a character with a receive error such as framing error, parity error or break interrupt, is loaded into the UnRBR. This bit is cleared when the UnLSR register is read and there are no subsequent errors in the UARTn FIFO. 0: UnRBR contains no UARTn Rx errors or UnFCR[0] = 0. 1: UARTn RBR contains at least one UARTn Rx error.	0
6	Transmitter Empty (TEMT)	This bit is set when the last character has been transmitted from the Transmit Shift Register. TEMT is cleared when another character is written to UnTHR. 0: UnTHR and/or the UnTSR contains valid data. 1: UnTHR and the UnTSR are empty.	1
5	Transmitter Holding Register Empty (THRE)	This bit is set when the transmitter FIFO reaches the level selected in UnFCR. THRE is cleared on a UnTHR write. 0: UnTHR contains valid data. 1: UnTHR is empty.	1
4	Break Interrupt (BI)	When the Un_RX pin is held low for one full character transmission (start, data, parity, stop), a break interrupt occurs. Once the break condition has been detected, the receiver goes idle until the Un_RX pin goes high. A read of UnLSR clears this status bit. 0: Break interrupt status is inactive. 1: Break interrupt status is active.	0
3	Framing Error (FE)	When the stop bit of a received character is a logic 0, a framing error occurs. A read of UnLSR clears this bit. A framing error is associated with the character at the top of the UARTn RBR FIFO. Upon detection of a framing error, the receiver will attempt to resynchronize to the data and assume that the bad stop bit is actually an early start bit. However, it cannot be assumed that the next received byte will be correct even if there is no Framing Error. 0: Framing error status is inactive. 1: Framing error status is active.	0
2	Parity Error (PE)	When the parity bit of a received character is in the wrong state, a parity error occurs. A read of UnLSR clears this bit. A parity error is associated with the character at the top of the UARTn RBR FIFO. 0: Parity error status is inactive. 1: Parity error status is active.	0
1	Overrun Error (OE)	This bit is set when the UARTn RSR has a new character assembled and the UARTn RBR FIFO is full. In this case, the UARTn RBR FIFO will not be overwritten and the character in the UARTn RSR will be lost. The overrun error condition is set as soon as it occurs. A read of UnLSR clears the OE flag. 0: Overrun error status is inactive. 1: Overrun error status is active.	0
0	Receiver Data Ready (RDR)	This bit is set when the UnRBR holds an unread character and is cleared when the UARTn RBR FIFO is empty. 0: UnRBR is empty. 1: UnRBR contains valid data.	0

6.11 UARTn Rx FIFO Level Register (UnRXLEV - 0x4008 001C, 0x4008 801C, 0x4009 001C, 0x4009 801C)

The UnRXLEV register is a read-only register that provides the current level of the receiver FIFO for UARTn. This allows software to have more information about UART activity than provided by the FIFO level interrupt.

Table 230. UARTn Rx FIFO Level Register (UnRXLEV - 0x4008 001C, 0x4008 801C, 0x4009 001C, 0x4009 801C)

UnRXLEV	Function	Description	Reset value
6:0	RXLEV	Current receiver FIFO level.	0

6.12 UARTn Clock Select Registers (Un_CLK - 0x4000 40D0; 0x4000 40D4; 0x4000 40D8; 0x4000 40DC)

Each of the standard (not high speed) UARTs have a fractional rate pre-divider, which creates the clock used by the UART as the input to the baud rate generator for transmit and receive functions. If the pre-divider is set to generate the desired baud rate, the UART baud rate generator is not needed. The Un_CLK registers control these rate generators. For details of baud rate generation, see the Baud Rate Calculation section.

Table 231. UARTn Clock Select Registers (Un_CLK - 0x4000 40D0; 0x4000 40D4; 0x4000 40D8; 0x4000 40DC)

Un_CLK	Function	Description	Reset value
16	Clock source select	0: Use PERIPH_CLK as input clock to the X/Y divider. 1: Use HCLK as input to the X/Y divider.	0
15:8	X divider value	If this value is set to 0, the output clock is stopped and the divider is put in a low power mode. See the description of the Y divider value below.	0
7:0	Y divider value	If this value is set to 0, the output clock is stopped and the divider is put in a low power mode. The X/Y divider divides the selected input clock using an X/Y divider. The output should be set to either 16 times the UART bit rate to be used, or a higher frequency if the UART baud rate generator (using the UnDLM and UnDLL registers) divides further down. Dividing directly down to 16 times the required bit rate is the most power efficient method. Note that the X/Y divider cannot multiply the clock rate. The X value must be less than or equal to the Y value.	0

6.13 IrDA Clock Control Register (IRDACLK - 0x4000 40E0)

The IRDACLK register controls the IrDA X/Y clock divider. This divider takes PERIPH_CLK as input and outputs a divided IRDA_CLK. This clock is used by the IrDA block associated with UART6 when the IrDA block is configured to operate in fixed 3/16 of 115.2 kbps mode. This configuration is done by UART_CTRL[2:1]. The IRDA_CLK should be stopped in order to save power when the IrDA block is set to run at the UART6 bit rate and not a fixed 115.2 kbps rate. For PERIPH_CLK = 13 MHz, the value to program is 0x1386. (X=19 and Y=134). This outputs a 1.8432 MHz clock to the UART (16 times oversampling). The IrDA clocking scheme is shown in [Figure 13-39](#).

Table 232. IrDA Clock Control Register (IRDACLK - 0x4000 40E0)

IRDACLK	Function	Description	Reset value
15:8	X divider value	If this value is set to 0, the output clock is stopped and the divider is put in a low power mode. See the description of the Y divider value below.	0
7:0	Y divider value	If this value is set to 0, the output clock is stopped and the divider is put in a low power mode. The X/Y divider divides the selected input clock using an X/Y divider. The output should be set to either 16 times the UART bit rate to be used, or a higher frequency if the UART baud rate generator (using the UnDLM and UnDLL registers) divides further down. Dividing directly down to 16 times the required bit rate is the most power efficient method.	0

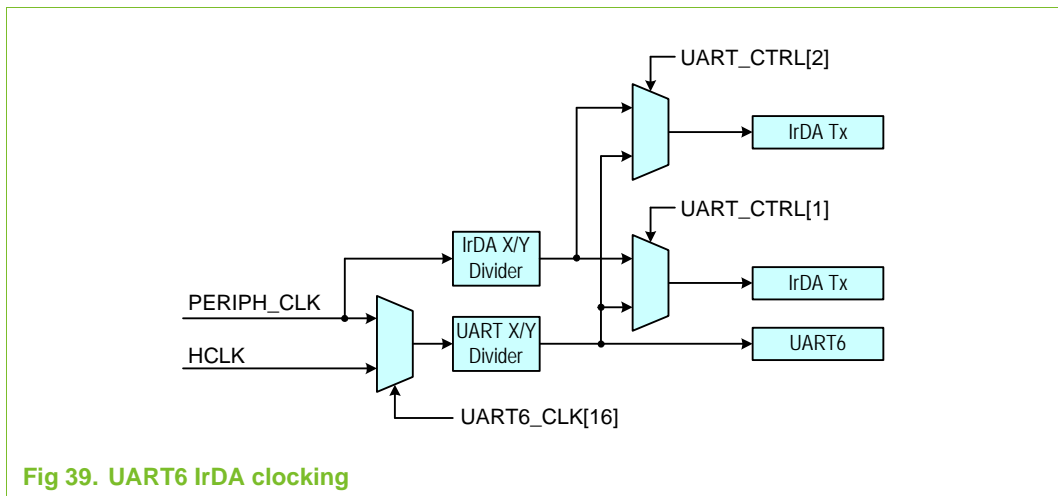


Fig 39. UART6 IrDA clocking

6.14 UART Control Register (UART_CTRL - 0x4005 4000)

The UART_CTRL register controls various details of the UART6 IrDA feature, as well as the connection of UART5 pins.

Table 233. UART Control Register (UART_CTRL - 0x4005 4000)

UART_CTRL	Function	Description	Reset value
10	HDPX_INV	0 = IRRX6 is not inverted. 1 = IRRX6 is inverted. This inversion comes in addition to the IRRX6_INV controlled inversion.	0
9	HDPX_EN	0 = IRRX6 is not disabled by TXD. 1 = IRRX6 is masked while TXD is low. This is used for stopping IRRXD6 data received from the IrDA transceiver while transmitting (optical reflection suppression).	0
8:6	Reserved	Reserved, user software should not write ones to reserved bits. The value read from a reserved bit is not defined.	-
5	UART6_IRDA	0 = UART6 uses the IrDA modulator/demodulator. 1 = UART6 bypasses the IrDA modulator/demodulator.	0

Table 233. UART Control Register (UART_CTRL - 0x4005 4000) ...continued

UART_CTRL	Function	Description	Reset value
4	IRTX6_INV	0 = The IRTX6 pin is not inverted. 1 = The IRTX6 pin is inverted.	0
3	IRRX6_INV	0 = The IRRX6 pin is not inverted. 1 = The IRRX6 pin is inverted.	0
2	IR_RxLength	0 = The IRDA expects Rx pulses 3/16 of the selected bit period. 1 = The IRDA expects Rx pulses 3/16 of a 115.2 kbps bit period.	0
1	IR_TxLength	0 = The IRDA Tx uses 3/16 of the selected bit period. 1 = The IRDA Tx uses 3/16 of a 115.2 kbps bit period.	0
0	UART5_MODE	0 = The UART5 TX/RX function is only routed to the U5_TX and U5_RX pins. 1 = The UART5 TX/RX function is also routed to the USB D+ and D- pins.	0

6.15 UART Clock Mode Register (UART_CLKMODE - 0x4005 4004)

The UART_CLKMODE register selects the clocking mode for standard UARTs, and also provides status information about the clocking for all UARTs (including high speed UARTs).

Table 234. UART Clock Mode Register (UART_CLKMODE - 0x4005 4004)

UART_CLKMODE	Function	Description	Reset value
22:16	CLK_STATX	This read-only field provides the Individual status of all UART clocks. 0000000: No UART clocks are running xxxxxx1: The UART 1 clock is running. Refer to the high speed UART chapter. xxxxx1x: The UART 2 clock is running. Refer to the high speed UART chapter. xxxx1xx: The UART 3 clock is running. xxx1xxx: The UART 4 clock is running. xx1xxxx: The UART 5 clock is running. x1xxxxx: The UART 6 clock is running. 1xxxxxx: The UART 7 clock is running. Refer to the high speed UART chapter.	0
15	Reserved	Reserved, user software should not write ones to reserved bits. The value read from a reserved bit is not defined.	
14	CLK_STAT	This read-only bit indicates whether any UARTs (including high speed UARTs) are currently being clocked. This is useful when all UARTs are in the autoclock mode, as a check to determine if it is safe to enter stop mode. 0: No UART clocks are running. (All UARTs are either turned off or in the auto-off state) 1: One or more UART clocks are running.	0
13:12	Reserved	Reserved, user software should not write ones to reserved bits. The value read from a reserved bit is not defined.	-

Table 234. UART Clock Mode Register (UART_CLKMODE - 0x4005 4004) ...continued

UART_CLKMODE	Function	Description	Reset value
11:10	UART6_CLK	Selects the clock mode for UART6. 00: Clock off mode (default) 01: Clock on mode 10: Auto clock mode 11: Not used	0
9:8	UART5_CLK	Selects the clock mode for UART5. The bit coding is the same as for UART6.	0
7:6	UART4_CLK	Selects the clock mode for UART4. The bit coding is the same as for UART6.	0
5:4	UART3_CLK	Selects the clock mode for UART3. The bit coding is the same as for UART6.	0
3:2	Reserved	Reserved, user software should not write ones to reserved bits. The value read from a reserved bit is not defined.	-
1:0	Reserved	Reserved, user software should not write ones to reserved bits. The value read from a reserved bit is not defined.	-

6.16 UART Loopback Control Register (UART_LOOP - 0x4005 4008)

The UART_LOOP register allows any of the seven UARTs to have the transmit output internally connected back to the receive input. This is generally done for testing purposes.

Table 235. UART Loopback Control Register (UART_LOOP - 0x4005 4008)

UART_LOOP	Function	Description	Reset value
6	LOOPBACK7	0 = UART7 loopback is turned off. 1 = UART7 is set to loopback mode.	0
5	LOOPBACK6	0 = UART6 loopback is turned off. 1 = UART6 is set to loopback mode. Note: The IRTX6 pin outputs a low in loopback mode when IrDA is enabled. When IrDA is bypassed the IRTX6 pin outputs a high as long as the IRTX6_INV bit is 1.	0
4	LOOPBACK5	0 = UART5 loopback is turned off. 1 = UART5 is set to loopback mode.	0
3	LOOPBACK4	0 = UART4 loopback is turned off. 1 = UART4 is set to loopback mode.	0
2	LOOPBACK3	0 = UART3 loopback is turned off. 1 = UART3 is set to loopback mode.	0
1	LOOPBACK2	0 = UART2 loopback is turned off. 1 = UART2 is set to loopback mode.	0
0	LOOPBACK1	0 = UART1 loopback is turned off. 1 = UART1 is set to loopback mode.	0

7. Baud rate calculation

Baud rates for the standard UARTs are based on either HCLK or PERIPH_CLK, and are divided by the fractional pre-divider (if used) and the UART baud rate generator (if used). The clocking scheme is shown in [Figure 13–40](#).

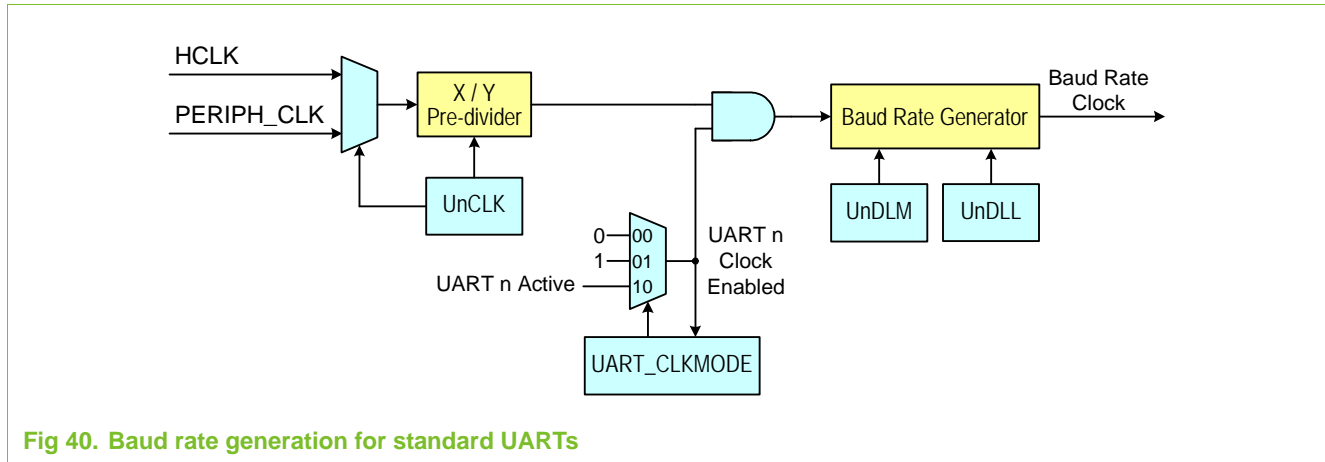


Fig 40. Baud rate generation for standard UARTs

The baud rate for one of the standard UARTs can be calculated from the equation:

$$\text{UARTn baud rate} = \text{UART clock (HCLK or PERIPH_CLK)} \times X/Y \text{ (from Un_CLK)} / \text{UnDLM} : \text{UnDLL}$$

If power usage is an issue in an application, the preferred method of generating baud rates is to use only the pre-divider to create the desired rate clock for the UART. Alternatively, only the UART baud rate generator may be used to create the desired UART clock.

If power usage is not critical, and multiple baud rates are to be supported, the highest baud rate required may be generated by the pre-divider, while the UART baud rate generator divides that clock down to the actual desired rate.

7.1 Examples of baud rate values

7.1.1 Rates generated using only the pre-divider

[Table 13–236](#) shows examples of baud rates for generated using only the pre-divider.

Table 236. Baud rates generated using the pre-divider

Source clock (MHz)	Desired baud rate	Rate adjustment value (decimal)	Fraction (X / Y)	Actual baud rate	Rate error %
13	7.372800	0.567138462	38 / 67	7.37313	0.0045
13	3.686400	0.283569231	19 / 67	3.68657	0.0045
13	1.843200	0.141784615	19 / 134	1.84328	0.0045
13	0.921600	0.070892308	9 / 127	0.92126	-0.0369
13	0.614400	0.047261538	6 / 127	0.61417	-0.0369
13	0.307200	0.023630769	3 / 127	0.30709	-0.0369

Table 236. Baud rates generated using the pre-divider

Source clock (MHz)	Desired baud rate	Rate adjustment value (decimal)	Fraction (X / Y)	Actual baud rate	Rate error %
13	0.153600	0.011815385	3 / 254	0.15354	-0.0369
13	0.076800	0.005907692	1 / 169	0.07692	0.1603
13	0.038400	0.002953846	1 / 255	0.05098	32.7614

7.1.2 Rates generated using only the UART baud rate generator

Table 13-237 shows examples of baud rates for generated using only the pre-divider.

Table 237. Baud rates generated using the pre-divider

Source clock (MHz)	Desired baud rate	UnDLM : UnDLL (Raw)	UnDLM : UnDLL (Rounded)	Actual baud rate	Rate error %
13	2400	338.54	339	2396.76	-0.14
13	4800	169.27	169	4807.69	0.16
13	9600	84.64	85	9558.82	-0.43
13	19200	42.32	42	19345.24	0.76
13	38400	21.16	21	38690.48	0.76
13	57600	14.11	14	58035.71	0.76
13	115200	7.05	7	116071.43	0.76
13	230400	3.53	4	203125.00	-11.84
13	460800	1.76	2	406250.00	-11.84

8. IRDA encoding and decoding

The IrDA block associated with UART6 includes an encoder and decoder for the IrDA standard protocol. When in this mode, UART6 will communicate with an external IrDA transmitter/receiver module, and supports a maximum performance of up to 115.2 kbps. The connections that are unique to UART6 are shown in Figure 13-41.

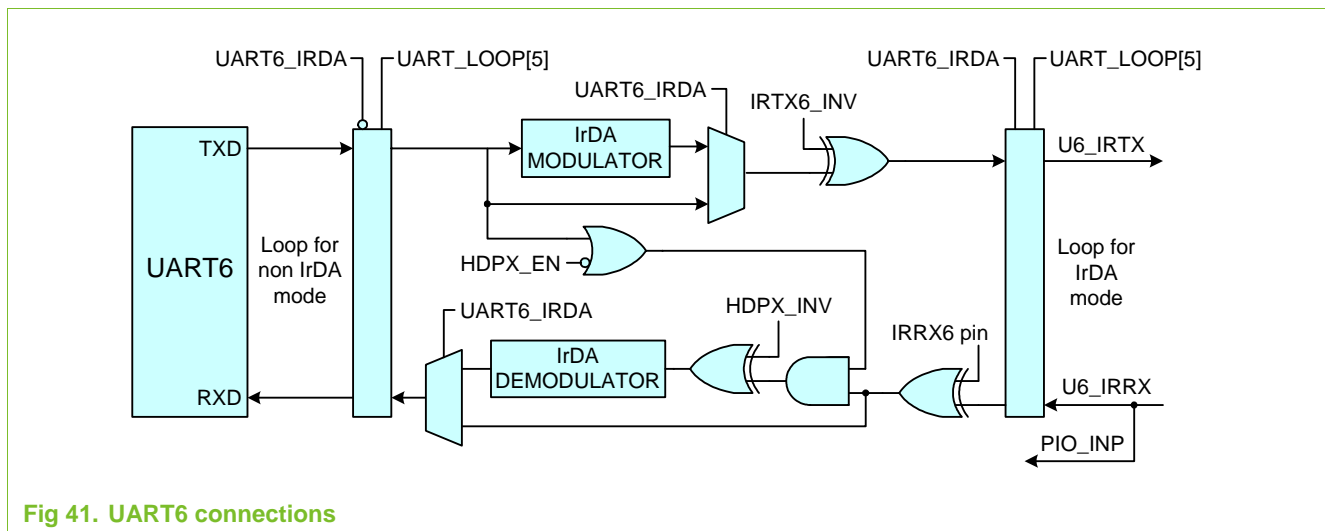


Fig 41. UART6 connections

The IrDA encoder generates the transformation from UART frame to IrDA frame according to [Figure 13-42](#). It is possible to select the IrDA pulse width to be 3/16 of the actual bit rate or 3/16 of a 115.2 kbps pulse width according to [Table 13-238](#).

When using the IrDA UART in the 3/16 of 115.2 kbps pulse mode, the IrDA clock will be generated by the special IrDA clock generator, controlled by the IRDACLK register. The IrDA clock generator uses the PERIPH_CLK as input and outputs a 1.8432 MHz IRDA_CLK. There is no restriction that the UART_CLK must be 7.3728 MHz. The IrDA clock generator is automatically enabled when IrDA is selected with fixed pulse width. (UART_CTRL[5] = 0 and either UART_CTRL[2] = 1 or UART_CTRL[1] = 1)

The receive path must also be configured to accept the short pulses. This is done by setting bit 2 (IR_RxLength) in the UART_CTRL register.

If an IrDA transceiver module with pulse-shaping on the receiver for short pulses is used, the IR_RxLength bit must always be set.

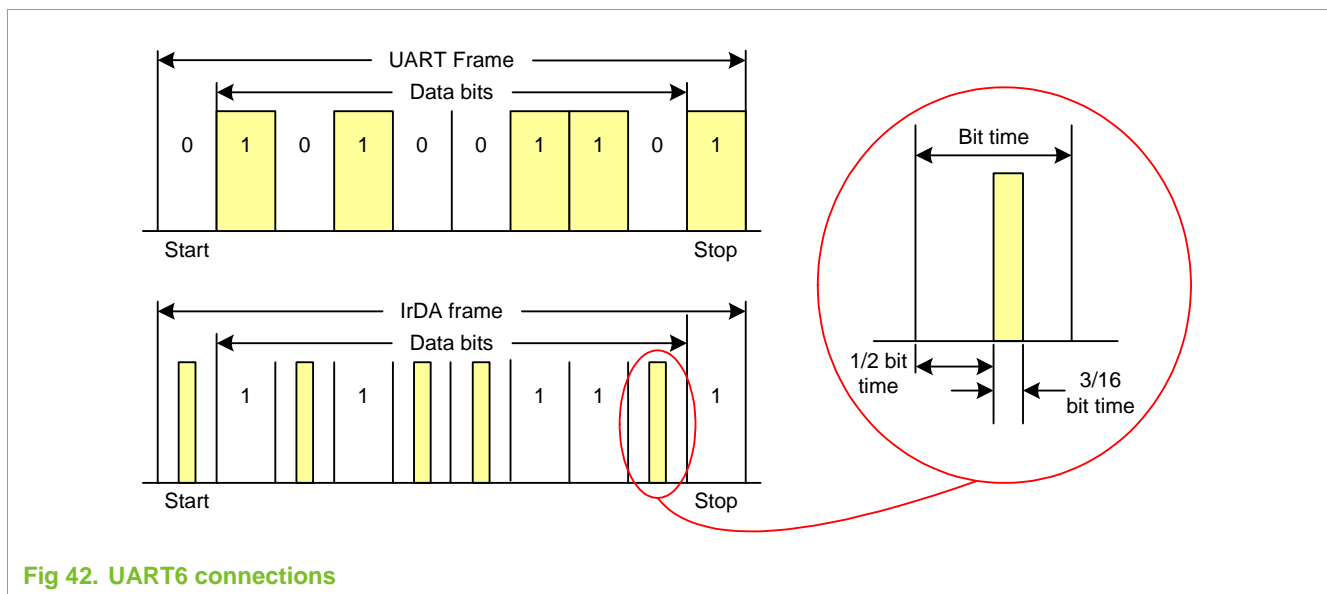


Fig 42. UART6 connections

Table 238. IrDA pulse timing

Bit rate (kbps)	Bit rate tolerance (% of bit rate)	Nominal pulse width (115-mode) (in μ s)	Nominal pulse width (μ s)		
			Min.	Nom.	Max.
4.8	± 0.87	1.63		88.55	
9.6	± 0.87	1.63		19.53	22.13
19.2	± 0.87	1.63		9.77	11.07
38.4	± 0.87	1.63		4.88	5.96
57.6	± 0.87	1.63		3.26	4.34
115.2	± 0.87	1.63	1.41	1.63	2.32

1. Introduction

The LPC3180 contains seven UARTs, three of which are referred to as High speed UARTs. These UARTs are described in this chapter. The remaining four UARTS are Standard UARTs, and are described in another chapter.

2. Features

- Each High speed UART has 64 byte Receive and Transmit FIFOs.
- Receiver FIFO trigger points at 16, 32, 48, and 60 bytes.
- Transmitter FIFO trigger points at 0, 4, 8, and 16 bytes.
- Register locations conform to '550 industry standard.
- Each High speed UART has an internal rate generator.
- The High Speed UARTs are designed to support data rates of 2400; 4800; 9,600; 19,200; 38,400; 57,600; 115,200; 230,400; 460,800; and 921,600 bps.
- Each UART includes an internal loopback mode.

3. Pin description

Table 239. UART1, 2, and 7 pin description

Pin name	Type	Description
Un_Rx	Input	Receive data input. Serial data to the UART is input on this pin.
Un_Tx	Output	Transmit data output. Serial data from the UART is output on this pin.
Un_HCTS	Input	Clear To Send. Active LOW input signal indicates that an external device is ready to accept transmitted data from the associated UART. Available for UARTs 2 and 7 only.
Un_HRTS	Output	Request To Send. Active LOW output signal indicates that the associated UART wishes to transmit data to an external device. Available for UARTs 2 and 7 only.

4. High speed UART base addresses

Table 240. Standard UART base addresses

UART	Base address
1	0x4001 4000
2	0x4001 8000
7	0x4001 C000

5. Functional description

The three high speed UARTs use 14 times over-sampling instead of 16 times, which is the typical over-sampling rate for a UART. With an input clock running at 13 MHz this gives a maximum standard bit rate of 921,600 bps.

The architecture of the high speed UARTs is shown in the block diagram, [Figure 14–43](#). The UART receiver monitors the serial input line for valid input. The UART Rx Shift Register accepts valid characters via the Un_RX pin. After a valid character is assembled in the Rx Shift Register, it is passed to the receive FIFO to await access by the CPU. The receiver for UARTs 2 and 7 can be configured to generate a Request To Send (RTS) signal as a handshake to control pacing of incoming data.

The UART transmitter accepts data written by the CPU or host and buffers the data in the transmit FIFO. The UART Tx Shift Register reads the data stored in the transmit FIFO and assembles the data to transmit via the serial output pin, Un_TX. The transmitter for UARTs 2 and 7 can be configured to accept a Clear To Send (CTS) signal as a handshake to control pacing of outgoing data.

The Rate Generator block generates the timing used by the UART transmitter and receiver. The interrupt interface is controlled by bits in the HSUn_CTRL register and provides status information via the HSUn_IIR register. Control information for the transmitter and receiver is stored in additional bits in HSUn_CTRL and additional status information is provided via bits in the HSUn_IIR register.

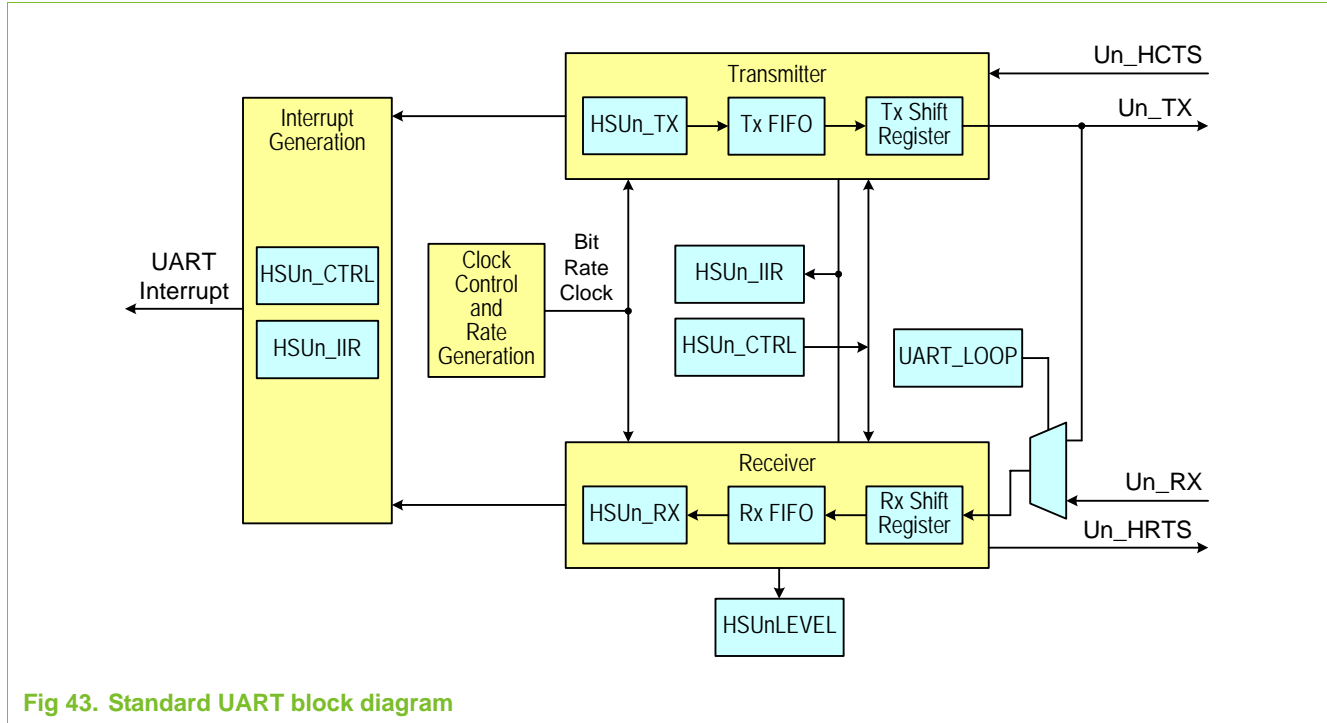


Fig 43. Standard UART block diagram

The details of how the high speed UARTs connect to device pins is shown in [Figure 14–44](#).

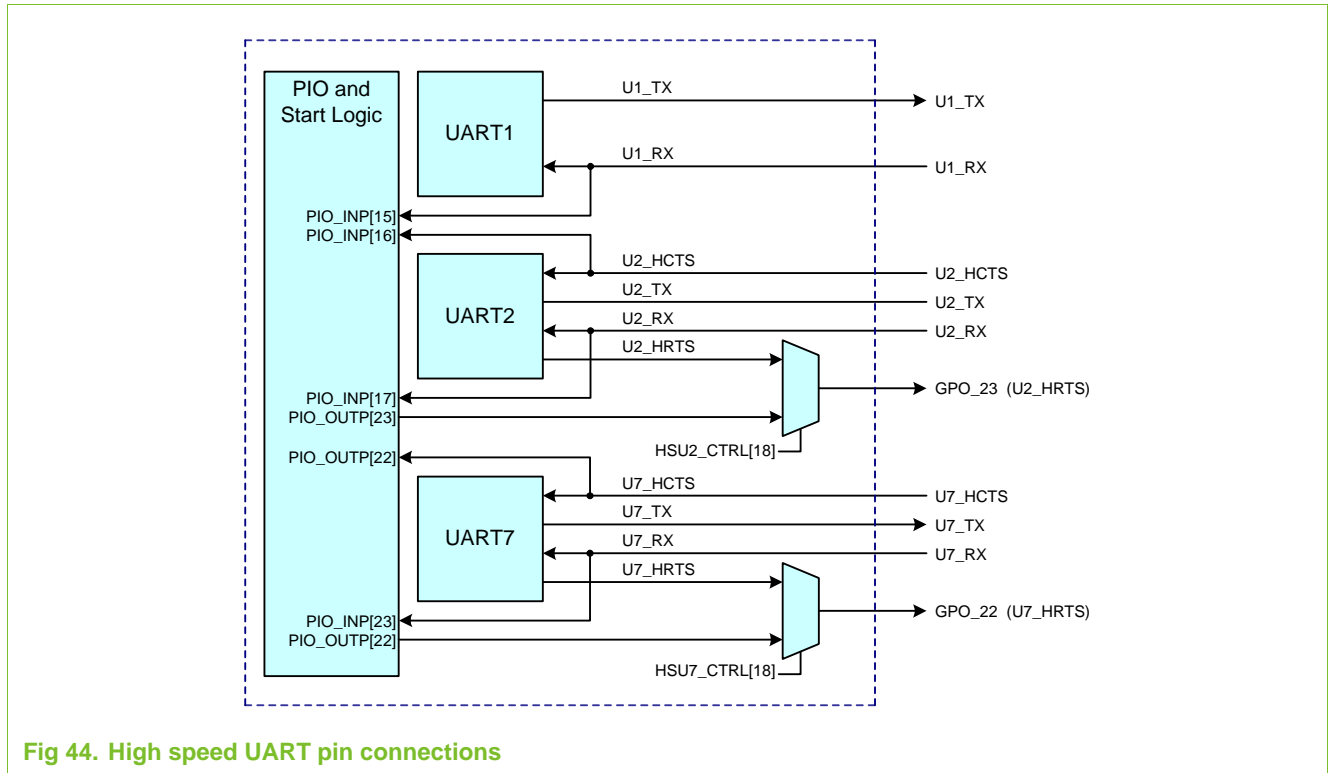


Fig 44. High speed UART pin connections

5.1 DMA support

The High Speed UARTs have support for DMA. This is implemented by using the TX/RX Interrupts as request signals to the DMA controller. In addition, there are signals from the DMA controller that clear the DMA requests when the operation completes. The burst size of the DMA channel must match the trigger level set in HSU_CTRL register.

6. Register description

Each High Speed UART contains registers as shown in [Table 14–241](#). Address offsets are shown in the first column. Each UART contains that register at the base address from [Table 14–240](#) plus the offset value from [Table 14–241](#).

Table 241. High speed UART register summary

Address offset	Name	Description	Reset value	Type
0x00	HSUn_RX	High speed UARTn Receiver FIFO	0x1XX	RO
0x00	HSUn_TX	High speed UARTn Transmitter FIFO	-	WO
0x04	HSUn_LEVEL	High speed UARTn FIFO Level Register	0	RO
0x08	HSUn_IIR	High speed UARTn Interrupt Identification Register	0	R/W
0x0C	HSUn_CTRL	High speed UARTn Control Register	0x0000 2800	R/W
0x10	HSUn_RATE	High speed UARTn Rate Control Register	0	R/W

6.1 High Speed UARTn Receiver FIFO Register (HSUn_RX - 0x4001 4000, 0x4001 8000, 0x4001 C000)

The read-only HSUn_RX register allows reading the top byte of the Receiver FIFO of High Speed UARTn. The top byte of the Rx FIFO contains the oldest character received. Bit 0 always contains the first received data bit. If the character received is less than 8 bits, the unused MSBs are padded with zeroes.

Table 242. High Speed UARTn Receiver FIFO Register (HSUn_RX - 0x4001 4000, 0x4001 8000, 0x4001 C000)

HSUn_RX	Function	Description	Reset value
10	HSU_BREAK	This bit indicates whether a break condition has been encountered. This bit is the same as HSU_IIR[4] 0: No break. 1: A break condition has been received.	0
9	HSU_ERROR	This bit reads indicates whether a framing error or an overflow error has been detected. This bit applies to the attached character in bits [7:0]. 0: No errors 1: An error has occurred	0
8	HSU_RX_EMPTY	This bit gives the status of the receiver FIFO. 0: One or more data bytes is available in the receiver FIFO. 1: The receiver FIFO is empty.	0
7:0	HSU_RX_DATA	Received data from the UARTn receiver FIFO.	-

6.2 High Speed UARTn Transmitter FIFO Register (HSUn_TX - 0x4001 4000, 0x4001 8000, 0x4001 C000)

The write-only HSUn_TX register accesses the top byte of the Transmit FIFO of UARTn. The top byte is the newest character in the Tx FIFO. The LSB represents the first bit to transmit.

Table 243. High Speed UARTn Transmitter FIFO Register (HSUn_TX - 0x4001 4000, 0x4001 8000, 0x4001 C000)

HSUn_TX	Function	Description	Reset value
7:0	HSU_TX_DATA	Writing to the UARTn Transmit Data Register causes the data to be stored in the UARTn transmit FIFO. The byte will be sent when it reaches the bottom of the FIFO and the transmitter is available.	-

6.3 High Speed UARTn Level Register (HSUn_LEVEL - 0x4001 4004, 0x4001 8004, 0x4001 C004)

The HSUn_Level register is a read-only register that provides the current level of the receiver FIFO for UARTn. This allows software to have more information about UART activity than provided by the FIFO level interrupt.

Table 244. High Speed UARTn Level Register (HSUn_LEVEL - 0x4001 4004, 0x4001 8004, 0x4001 C004)

HSUn_LEVEL	Function	Description	Reset value
15:8	HSU_TX_LEV	Current transmitter FIFO level.	0
7:0	HSU_RX_LEV	Current receiver FIFO level.	0

6.4 High Speed UARTn Interrupt Identification Register (HSUn_IIR - 0x4001 4008, 0x4001 8008, 0x4001 C008)

The HSUn_IIR register provides status of pending interrupt in the corresponding UART. HSUn_IIR also provides a means to clear most interrupts.

Table 245. High Speed UARTn Interrupt Identification Register (HSUn_IIR - 0x4001 4008, 0x4001 8008, 0x4001 C008)

HSUn_IIR	Function	Description	Reset value
6	HSU_TX_INT_SET	This write-only bit allows forcing a transmit interrupt as a method of starting a DMA transfer. 0: Writing a 0 has no effect. 1: Set the transmit interrupt flag.	0
5	HSU_RX_OE	This bit allows checking and clearing the overrun error flag. Read: 0: No overflow interrupt. 1: An overrun condition has occurred. Write: 0: Writing a 0 has no effect. 1: Clears the overrun interrupt.	0
4	HSU_BRK	This bit allows checking and clearing the break flag. Read: 0: No break interrupt. 1: A break condition has occurred (the stop-bit is zero, and all data bits are zero). Write: 0: Writing a 0 has no effect. 1: Clears the break interrupt.	0
3	HSU_FE	This bit allows checking and clearing the framing error flag. Read: 0: No framing error interrupt. 1: A framing error has occurred (the stop-bit is zero). Write: 0: Writing a 0 has no effect. 1: Clears the framing error interrupt.	0

Table 245. High Speed UARTn Interrupt Identification Register (HSUn_IIR - 0x4001 4008, 0x4001 8008, 0x4001 C008)

HSUn_IIR	Function	Description	Reset value
2	HSU_RX_TIMEOUT	This read-only bit allows checking the receiver timeout flag. This bit is only set if the timeout interrupt is enabled in the HSUX_CONTROL register. This bit may be cleared by reading data from HSUn_RX. 0: A receiver timeout has not occurred. 1: The receiver timeout interrupt is active.	0
1	HSU_RX_TRIG	This read-only bit allows checking the receiver trigger level. This bit may be cleared by reading data from HSUn_RX until the receiver FIFO is below the trigger level. 0: The receiver FIFO is below the trigger level. 1: The receiver FIFO is above the trigger level.	0
0	HSU_TX	This read-only bit allows checking and clearing the transmitter interrupt. The transmit interrupt can also be cleared by writing data to the transmit FIFO. Read: 0: The transmit interrupt is inactive. 1: The transmit interrupt is active. Write: 0: Writing a 0 has no effect. 1: Clear the transmit interrupt.	0

6.5 High Speed UARTn Control Register (HSUn_CTRL - 0x4001 400C, 0x4001 800C, 0x4001 C00C)

The HSUn_CTRL register controls various details of high speed UART operation. These include the FIFO trigger depths, handshake enable, polarity of handshake signals, and interrupt enables.

Table 246. High Speed UARTn Control Register (HSUn_CTRL - 0x4001 400C, 0x4001 800C, 0x4001 C00C)

HSUn_CTRL	Function	Description	Reset value
21	HRTS_INV	This bit controls the polarity of the Un_HRTS signal. The polarity applies only to the UART, not the PIO signal. Supported only by UARTs 2 and 7. 0: HRTS is not inverted. 1: HRTS is inverted.	0
20:19	HRTS_TRIG	This field controls the hardware RTS flow control trigger level. The Un_HRTS pin is set low when the RX FIFO level is above the specified value. Supported only by UARTs 2 and 7. 00: 8 bytes. 01: 16 bytes. 10: 32 bytes. 11: 48 bytes.	0
18	HRTS_EN	Controls the enabling of hardware RTS flow control. Supported only by UARTs 2 and 7. When enabled, the Un_HRTS pin is set low when the RX FIFO level is above the specified value in HSUn_CTRL[20:19]. 0: Hardware RTS flow control is disabled. The HRTS pin is controlled by the PIO block. 1: Hardware RTS flow control is enabled.	0
17:16	TMO_CONFIG	Configures the receiver timeout interrupt. 00: The receiver timeout interrupt is disabled. Use this configuration with DMA. 01: The timeout is set when the receiver is inactive for 4 character times. 10: The timeout is set when the receiver is inactive for 8 character times. 11: The timeout is set when the receiver is inactive for 16 character times.	0
15	HCTS_INV	This bit controls the polarity of the Un_HCTS signal. The polarity applies only to the UART, not the PIO signal. Supported only by UARTs 2 and 7. 0: HCTS is not inverted. 1: HCTS is inverted.	0
14	HCTS_EN	Controls the enabling of hardware CTS flow control. If this bit is set to one the transmit shift register will stop sending more data when it has finished the current character when Un_HCTS pin is low. Supported only by UARTs 2 and 7. 0: Transmit flow control is disabled. 1: Transmit flow is controlled by the Un_HCTS pin.	0

Table 246. High Speed UARTn Control Register (HSUn_CTRL - 0x4001 400C, 0x4001 800C, 0x4001 C00C) ...continued

HSUn_CTRL	Function	Description	Reset value
13:9	HSU_OFFSET	Sets the first bit sampling point. The first bit will be sampled the number of clocks specified by HSU_OFFSET after the start bit is detected. This allows adjusting the sampling time to compensate for delays at high bit rates. 00000: 0 clocks offset. 00001: 1 clocks offset. 00010: 2 clocks offset. : 10100: 20 clocks offset (value after reset). : 11111: 31 clocks offset.	0x14
8	HSU_BREAK	This bit controls the generation of a break on the transmit data line. When break is enabled, the Un_TX line is driven low. When break is disabled, Un_TX is driven by the transmitter state machine. 0: Disable break. 1: Enable break.	0
7	HSU_ERR_INT_EN	This bit controls the generation of an interrupt when there is an error detected in received data. The interrupt reflects framing error, break, and overrun error conditions. 0: Disable the UARTn error interrupt. 1: Enable the UARTn error interrupt.	0
6	HSU_RX_INT_EN	This bit controls the generation of a receive interrupt. 0: The receive interrupt is disabled. 1: The receive interrupt is enabled.	0
5	HSU_TX_INT_EN	This bit controls the generation of a transmit interrupt. 0: The transmit interrupt is disabled. 1: The transmit interrupt is enabled.	0
4:2	HSU_RX_TRIG	This field selects the receiver FIFO trigger level. 000: 1 byte. 001: 4 bytes. 010: 8 bytes. 011: 16 bytes. 100: 32 bytes. 101: 48 bytes. 110 to 111: Reserved.	0
1:0	HSU_TX_TRIG	This field selects the transmitter FIFO trigger level 00: 0 (empty). 01: 4 bytes. 10: 8 bytes. 11: 16 bytes.	0

6.6 High Speed UARTn Rate Control Register (HSUn_RATE - 0x4001 4010, 0x4001 8010, 0x4001 C010)

The HSUn_RATE register holds the value used to divide the UART clock in order to produce the bit rate clock. High speed UARTs use 14x oversampling, so the rate equation includes this value. Refer to the Rate Calculation section for more details on bit rate generation.

Table 247. High Speed UARTn Rate Control Register (HSUn_RATE - 0x4001 4010, 0x4001 8010, 0x4001 C010)

HSUn_RATE	Function	Description	Reset value
7:0	HSU_RATE	Controls the high speed UART clock divider, setting the UART rate. The UART rate = PERIPH_CLK / ((HSU_RATE+1) × 14) 0: UARTn bit rate is PERIPH_CLK divided by 1 × 14. 1: UARTn bit rate is PERIPH_CLK divided by 2 × 14. 255: 1: UARTn bit rate is PERIPH_CLK divided by 256 × 14.	0

6.7 Other relevant registers

Some registers described in the Standard UART chapter also have relevance to high speed UARTs.

6.7.1 Clock status

The status of clocks to all seven UARTs is reflected in the CLK_STATX and CLK_STAT fields of the UART_CLKMODE register, which is described in the Standard UART chapter. Using these fields, it can be determined whether clocks to a particular high speed UART have been turned off by the autclocking feature.

6.7.2 Loopback mode

Any of the high speed UARTs can be put into loopback mode by using bits in the UART_LOOP register. This register controls all 7 UARTS and is described in the Standard UART chapter.

7. Rate calculation for the high speed UARTs

The bit rates of the high speed UARTs are based PERIPH_CLK. A simple divider allows selecting the desired bit rate. In order to use high bit rates with the high speed UARTs, the frequency of PERIPH_CLK must be close to an even multiple of 14 times the desired rate. The nominal frequency of PERIPH_CLK is considered to be 13 MHz.

The UART rate is given by the equation: $\text{PERIPH_CLK} / ((\text{HSU_RATE}+1) \times 14)$

Examples of high speed UART bit rates are shown in [Table 14–248](#).

Table 248. Examples of high speed UART bit rates

PERIPH_CLK Frequency (MHz)	Desired bit rate	Divide value (Raw)	Divide value (Rounded)	HSUn_RATE value	Actual bit rate	Rate error %
13	2400	386.90	387	386	2399.41	-0.02
13	4800	193.45	193	192	4811.25	0.23
13	9600	96.73	97	96	9572.90	-0.28

Table 248. Examples of high speed UART bit rates

PERIPH_CLK Frequency (MHz)	Desired bit rate	Divide value (Raw)	Divide value (Rounded)	HSUn_RATE value	Actual bit rate	Rate error %
13	19200	48.36	48	47	19345.24	0.76
13	38400	24.18	24	23	38690.48	0.76
13	57600	16.12	16	15	58035.71	0.76
13	115200	8.06	8	7	116071.43	0.76
13	230400	4.03	4	3	232142.86	0.76
13	460800	2.02	2	1	464285.71	0.76
13	921600	1.01	1	0	928571.43	0.76

8. UART timing

Figure 14–45 shows the timing details of the 14 bit over-sampling used by the high speed UARTs, as well as how the data sampling offset operates. The offset feature allows compensation for timing issues at high bit rates. Refer to the description of the HSUn_CTRL register for details.

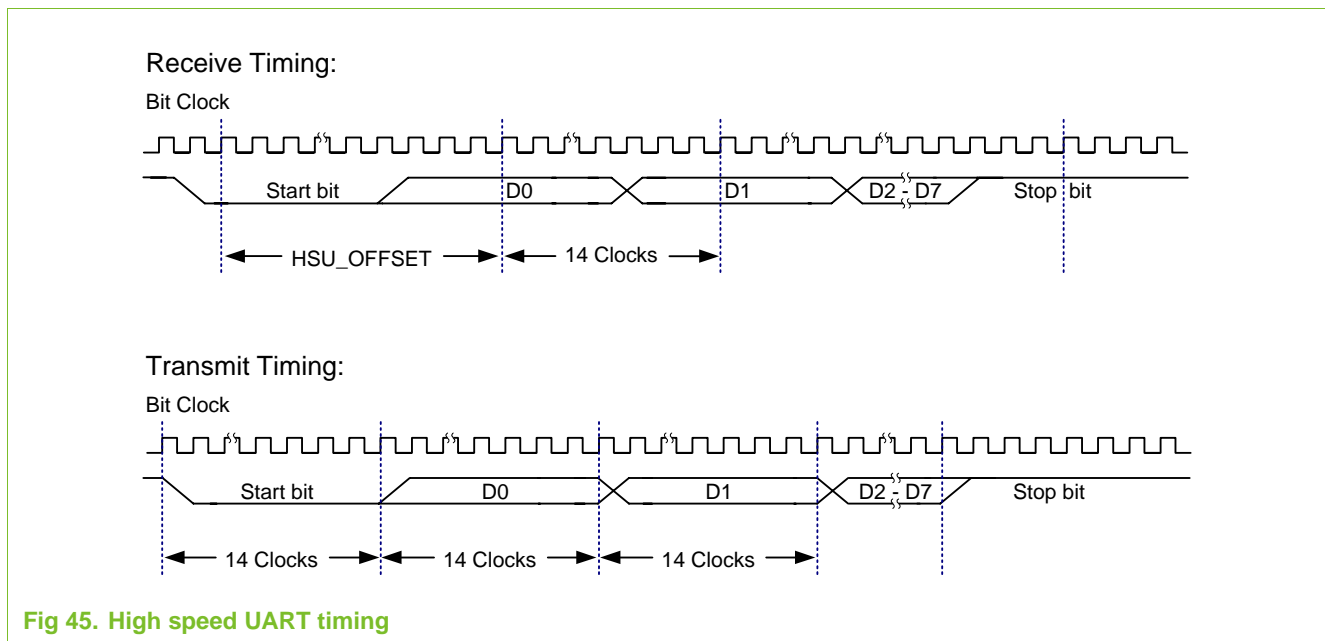


Fig 45. High speed UART timing

1. Introduction

The LPC3180 has two Serial Peripheral Interfaces (SPI). The SPI is a 3-wire serial interface designed to interface with a large range of serial peripheral or memory devices (SPI mode 0 to 3 compatible slave devices). The SPI does not support operation as a slave.

2. Features

- Supports slaves compatible with SPI modes 0 to 3.
- Half duplex synchronous transfers.
- DMA support for data transmit and receive.
- 1 to 16 bit word length.
- Choice of LSB or MSB first data transmission.
- 64 x 16-bit input or output FIFO.
- Bit rates up to 52 Mbits per second.
- Busy input function.
- DMA time out interrupt to allow detection of end of reception when using DMA.
- Timed interrupt to facilitate emptying the FIFO at the end of a transmission.
- SPI clock and data pins may be used as general purpose pins if the SPI is not used.

In the following sections, the term SPIn refers to both of the SPI interfaces, essentially replacing the "n" with "1" or "2" in order to apply to SPI1 or SPI2.

3. Pin description

Table 249. SPI pin description

Pin name	Type	Description
SPI _n _CLK	Input/ Output	SPI _n _CLK is a clock signal used to synchronize the transfer of data across an SPI bus. The SPI is always driven by the master and received by the slave.
SPI _n _DATIN	Input	The SPI _n _DATIN pin inputs data.
SPI _n _DATIO	Output	The SPI _n _DATIO pin outputs data.
GPI_04 / SPI1_BUSY and GPI_08 / SPI2_BUSY	Input	SPI _n _BUSY is an optional input that allows a slave to indicate that data transfer should pause.

4. Functional description

Following reset, the SPI pins are connected as GPIOs. To use each SPI interface the pins must be enabled in the SPIn_CON register.

The 3-wire serial interface consists of a serial data output (SPIn_DATIO), a serial data input (SPIn_DATIN), and a serial clock signal (SPIn_CLK). A fourth pin (SPIn_BUSY) may optionally be used to allow a slave to pause an SPI transfer. Single-master operations are supported by the interface. It is also possible to program SPIn_DATIO to be a bidirectional line.

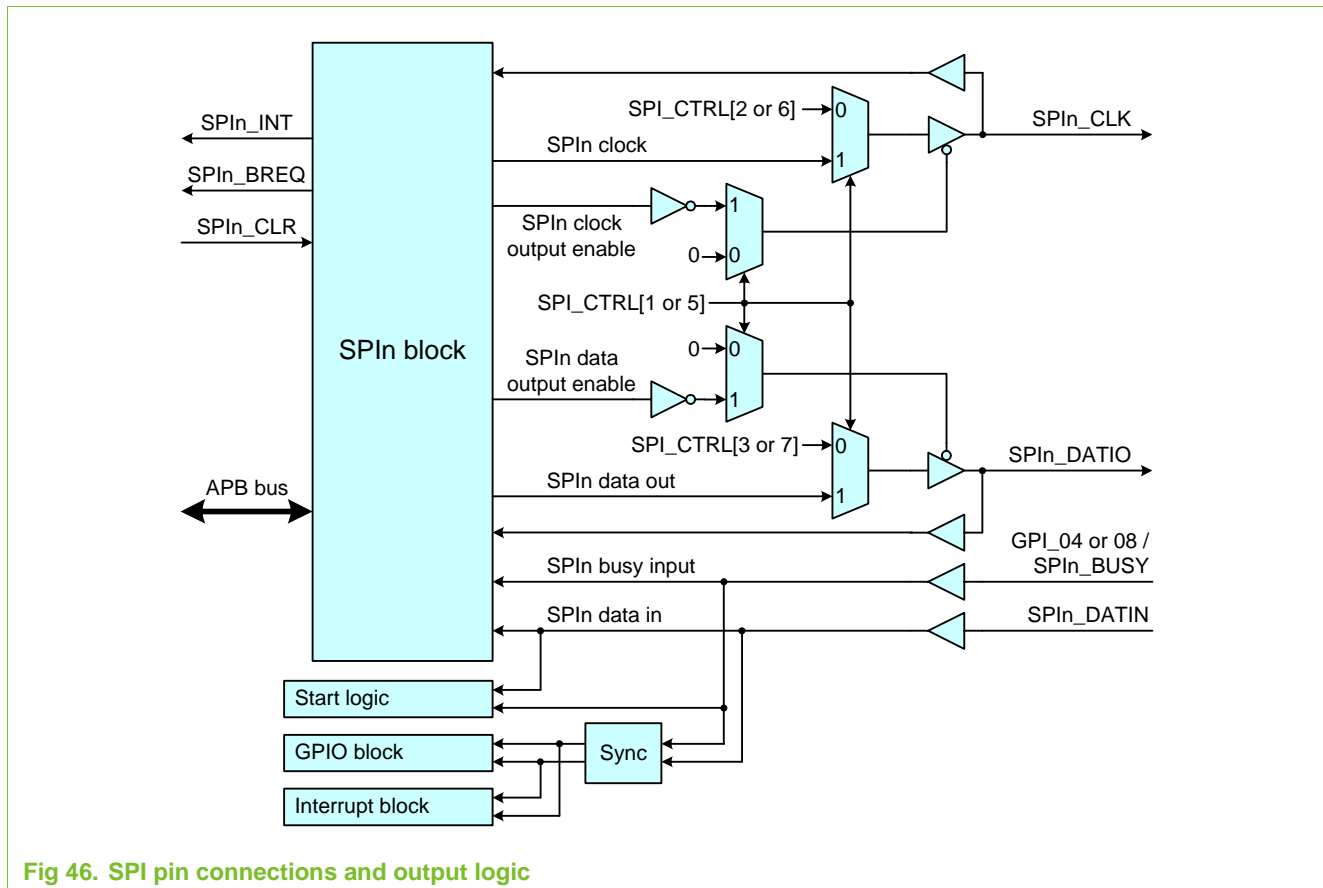


Fig 46. SPI pin connections and output logic

The SPIn_CLK pin is used to output the clock used for SPI data transfers. The master clock is generated by the internal SPI clock generator. The SPIn_DATIN pin and the SPIn_DATIO pin are the SPI data I/O-lines. For each slave device connected to the SPI master, a chip select signal must be generated, typically using a GPO or GPIO pin.

In order to use the interface, the enable bit in SPIn_GLOBAL must be set. Using the rst bit in SPIn_GLOBAL, a software controlled reset of the SPI interface can be initiated. The reset is only executed if the enable bit has been set.

SPI modes 0 to 3 are supported. The integrated FIFO allows continuous data transfers up to a programmed number of SPI frames. The frame length can be configured between 1 and 16 bits.

4.1 Single frame transfers

Transfers of a single SPI frame can be executed when the SPIn_FRM register is set to zero and the FIFO is empty. Data coming from or going to the external device can be accessed via the SPIn_DAT register. This register consists of a separate read and write register. The read part of the register provides incoming data from the shift register; the

write part of the register delivers data to the shift register. The size of the data frame to be transferred is determined by the bitnum field in the SPIn_CON register. The clock of the shift register is based on the output of the SPI clock generator. The bits of the SPIn_DAT write register are shifted out on SPIn_DATIO or the bits on SPIn_DATIN are shifted into the shift register (depending on the rxtx bit in SPIn_CON).

Sending data is accomplished by writing the data to be sent to the SPIn_DAT register, which is copied to the shift register. Data is clocked out on SPIn_DATIO. SPIn_DAT may be written with new data while the previous data is being shifted out. An end of transfer interrupt is always generated after bitnum+1 SPIn_CLK clock cycles, if the interrupt is enabled via the inteot bit in the SPIn_IER register.

To read data, the SPI can be started by doing a dummy read or dummy write to SPIn_DAT. Received data may be read from SPIn_DAT after bitnum+1 SPI clock cycles.

A data read sequence can be stopped by setting the shift_off bit in the SPIn_CON register. Setting shift_off is not necessary if the SPI interface is turned off prior to reading the SPIn_DAT register for the last time.

4.2 Block transfers

A block transfer on the SPI can be used to transfer a number of frames. For examples, these could be pages of data to or from an external SPI memory device. The SPIn_FRM register contains the number of consecutive SPI frames to transfer. The threshold interrupt should be enabled if the number of frames exceeds the FIFO size. The FIFO pointer controls the read or write actions to the FIFO and generates an interrupt request if the number of entries falls below the threshold in transmit mode or rises above the threshold in receive mode.

The data transfer is only stopped if the receive FIFO is full during receive mode or the transmit FIFO is empty during transmit mode. In this case the transfer will continue after software reads or writes data, until the frame count reaches zero. At that point, the end of transfer interrupt is flagged.

A block transfer can be configured as follows.

- Check that the FIFO is empty and no transfer is running (SPIn_STAT).
- Define the SPI frame size (the bitnum field in SPIn_CON).
- Load the SPIn_FRM register with the number of SPI frames to be transferred.
- Enable the threshold interrupt if required.

The master can initiate the transfer as follows.

- Read the SPIn_DAT register if a block should be transferred from the external device.
- Write the data word of the first SPI frame to the SPIn_DAT register if a block should be transferred to the external device. This frame is included in the value of SPIn_FRM.

Every time a threshold interrupt is asserted, software must read or write data from SPIn_DAT to maintain a continuous data transfer on the interface. After the complete block is transferred, the end of transfer interrupt is asserted. If there are still entries in the FIFO at that point, they should be read by the software.

The status of the block transfer may be checked by reading the shiftact bit in SPIn_STAT. This bit is set when the first frame is being transferred, and cleared when all frames defined in SPIn_FRM have been transmitted. Writing a value of zero to SPIn_FRM clears the shiftact status flag.

4.3 DMA mode

During reception, DMA requests are generated if the FIFO is not empty. During transmit, DMA requests are generated if the FIFO is not full. The DMA controller must be configured to respond appropriately to these requests. The DMA burst size should always be programmed to 1 on the SPI side.

In DMA master receive mode, an initial dummy read or write to SPIn_DAT is needed to start the reception. After that, DMA transfer requests are generated when the FIFO is not empty.

The FIFO threshold interrupt must be disabled, and for block transfer either the DMA Controller terminal count or the SPI end of transfer interrupt may be used.

Note: In reception, the SPI end of transfer interrupt (intcot) may be asserted while some data remains inside the DMA Controller buffers.

4.4 Busy signal

The SPIn_BUSY signal may be necessary for some slave devices which need time to complete internal operations. When enabled, the SPI interface will stop generation of SPIn_CLK pulses while SPIn_BUSY is asserted. If SPIn_BUSY becomes active the current transfer will stall regardless the state of the transfer (i.e. the transfer can be stopped in a middle of a word).

4.5 Single-master multiple-slave support

Multiple chip select output pins are needed to select between multiple slaves. GPIO or GPO signals may be used for this purpose. Software must ensure that only one chip select output is active at any time.

5. Register description

The registers in [Table 15–250](#) give control over the SPI interfaces.

Table 250. Summary of SPI registers

Address	Name	Description	Reset state	Access
0x2008 8000 0x2009 0000	SPI1_GLOBAL; SPI2_GLOBAL	SPIn Global Control Register. Controls resetting and enabling of SPI1 and SPI2.	0	R/W
0x2008 8004 0x2009 0004	SPI1_CON; SPI2_CON	SPIn Control Register. Controls many details of SPI operation.	0x0E08	R/W
0x2008 8008 0x2009 0008	SPI1_FRM; SPI2_FRM	SPIn Frame Count Register. Selects the number of SPI frames to be transferred.	0	R/W
0x2008 800C 0x2009 000C	SPI1_IER; SPI2_IER	SPIn Interrupt Enable Register. Enables or disables the 3 types of interrupts that may be generated by the SPI.	0	R/W

Table 250. Summary of SPI registers ...continued

Address	Name	Description	Reset state	Access
0x2008 8010 0x2009 0010	SPI1_STAT; SPI2_STAT	SPIn Status Register. Provides information on conditions in the SPI interface.	0x01	R/W
0x2008 8014 0x2009 0014	SPI1_DAT SPI2_DAT	SPIn Data Buffer Register. Provides access to the transmit and receive FIFO buffers.	0	R/W
0x2008 8400 0x2009 0400	SPI1_TIM_CTRL SPI2_TIM_CTRL	SPIn Timer Control Register. Controls the generation of timed interrupts.	0x02	R/W
0x2008 8404 0x2009 0404	SPI1_TIM_COUNT SPI2_TIM_COUNT	SPIn Timer Counter Register. This is the counter for timed interrupts.	0	R/W
0x2008 8408 0x2009 0408	SPI1_TIM_STAT SPI2_TIM_STAT	SPIn Timer Status Register. Contains the timed interrupt pending flag.	0	R/W

5.1 SPIn Global Control register (SPIn_GLOBAL - 0x2008 8000, 0x2009 0000)

The SPIn_GLOBAL register contains control bits that allow enabling and/or resetting the related SPI interface.

Table 251. SPIn Global Control register (SPIn_GLOBAL - 0x2008 8000, 0x2009 0000)

SPIn_GLOBAL	Function	Description	Reset value
1	rst	Allows software reset of the SPI interface. 0: No action. 1: The SPI interface is reset. The interface must be enabled to be active.	0
0	enable	Enables the SPI interface. 0: The SPI interface is disabled. 1: The SPI interface is enabled.	0

5.2 SPIn Control register (SPIn_CON - 0x2008 8004, 0x2009 0004)

The SPIn_CON register contains bits that control many aspects of SPI operation. These include selection of how the pins are used, the frame size, the SPI mode (how data and clocks are related), and the FIFO thresholds.

Table 252. SPIn Control register (SPIn_CON - 0x2008 8004, 0x2009 0004)

SPIn_CON	Function	Description	Reset value
23	unidir	Selects bidirectional or unidirectional usage of the SPIn_DATIO pin. 0: The SPI operates with the bidirectional data line SPIn_DATIO 1: The SPI operates with unidirectional input and output pins SPIn_DATIN and SPIn_DATIO reset	0
22	bhalt	Busy halt. Determines whether the SPIn_BUSY affects SPI operation. 0: The SPIn_BUSY pin is ignored during master operation. 1: Data transfer is halted if SPIn_BUSY is active during master operation.	0
21	bpol	Busy polarity. Controls the polarity of the SPIn_BUSY signal. 0: SPIn_BUSY is active LOW. 1: SPIn_BUSY is active HIGH.	0
20	Reserved	Reserved, user software should not write ones to reserved bits. The value read from a reserved bit is not defined.	0
19	msb	Controls the order in which data bits are transferred. 0: Data is transferred MSB first. 1: Data is transferred LSB first.	0
18	Reserved	Reserved, user software should not write ones to reserved bits. The value read from a reserved bit is not defined.	0
17:16	mode	SPI mode selection. 00: SPI mode 0. Clock starts low, data is sampled at the clock rising edge. 01: SPI mode 1. Clock starts low, data is sampled at the clock falling edge. 10: SPI mode 2. Clock starts high, data is sampled at the clock falling edge. 11: SPI mode 3. Clock starts high, data is sampled at the clock rising edge.	0
15	rxtx	Controls the direction of data transfer. 0: data is shifted into the SPI (receive) 1: data is shifted out the SPI (transmit)	0
14	thr	Controls the FIFO threshold. This determines the operation of the FIFO threshold interrupt flag in the SPIn_STAT register. For receive (the rxtx bit = 0): 0: The FIFO threshold is disabled, threshold = 1 entry in FIFO. 1: The FIFO threshold is enabled, threshold = 56 entries in FIFO. For transmit (the rxtx bit = 1): 0: The FIFO threshold is disabled. 1: The FIFO threshold is enabled, threshold=8 entries in FIFO.	0

Table 252. SPIn Control register (SPIn_CON - 0x2008 8004, 0x2009 0004) ...continued

SPIn_CON	Function	Description	Reset value
13	shift_off	Controls generation of clock pulses on SPIn_CLK. 0: enables the generation of clock pulses on SPIn_CLK. 1: disables the generation of clock pulses on SPIn_CLK.	0
12:9	bitnum	Defines the number of bits to be transmitted or received in one block transfer (transmit or receive operation). The value is the number of bits - 1. The reset value gives 8 data bits.	0x7
8	Reserved	Reserved, user software should not write ones to reserved bits. The value read from a reserved bit is not defined.	0
7	ms	SPI master mode enable. 0: Not supported. 1: SPI is operating as a master.	0
6:0	rate	SPI transfer rate. $SPIn_CLK = HCLK / (rate + 1) \times 2$. Refer to the Rate Calculation section for more details.	0x08

5.3 SPIn Frame Count register (SPIn_FRM - 0x2008 8008, 0x2009 0008)

The SPIn_FRM register specifies the number of SPI frames to be transferred when a block transfer is used.

Table 253. SPIn Frame Count register (SPIn_FRM - 0x2008 8008, 0x2009 0008)

SPIn_FRM	Function	Description	Reset value
15:0	spif	SPI frame count. This field specifies the number of SPI frames to be transferred (one frame is the number of bits specified in field bitnum in register SPIn_CON). Writing a zero to this field clears the shiftact status flag.	0

5.4 SPIn Interrupt Enable register (SPIn_IER - 0x2008 800C, 0x2009 000C)

The SPIn_IER register allows selection of which SPI interrupts are enabled.

Table 254. SPIn Interrupt Enable register (SPIn_IER - 0x2008 800C, 0x2009 000C)

SPIn_IER	Function	Description	Reset value
2	Reserved	Reserved, user software should not write ones to reserved bits. The value read from a reserved bit is not defined.	0
1	intect	End of transfer interrupt enable. 0: The end of transfer interrupt is disabled. 1: The end of transfer interrupt is enabled.	
0	intthr	FIFO threshold interrupt enable. 0: The FIFO threshold interrupt is disabled. 1: The FIFO threshold interrupt is enabled.	

5.5 SPIn Status Register (SPIn_STAT - 0x2008 8010, 0x2009 0010)

The SPIn_STAT register provides information on the activities of the SPI interface.

Table 255. SPIn Status Register (SPIn_STAT - 0x2008 8010, 0x2009 0010)

SPIn_STAT	Function	Description	Reset value
8	intclr	SPI interrupt clear. Writing a one to this bit clears the SPI interrupt. Writing a zero to this bit has no effect.	0
7	eot	End of transfer interrupt flag. ^{[1][2][3]} This flag is cleared by writing a 1 to bit 8. 0: The end of transfer has not been reached. 1: The end of transfer has been reached.	0
6	busylev	SPIn_BUSY level. ^{[2][3]} This bit gives the current level of the SPIn_BUSY input.	0
5:4	Reserved	Reserved, user software should not write ones to reserved bits. The value read from a reserved bit is not defined.	-
3	shiftact	Shift active. Indicates when the SPI is transferring data. ^{[2][3]} 0: No SPI data transfer is in progress. 1: An SPI data transfer is in progress.	0
2	bf	FIFO full interrupt flag. ^{[2][3]} 0: The FIFO is not full. 1: The FIFO is full.	0
1	thr	FIFO threshold interrupt flag. ^{[1][2][3]} For rxtx=0: (receive) 0: The number of entries in the FIFO is below the threshold. 1: The number of entries in the FIFO is at or above the threshold. For rxtx=1: (transmit) 0: The number of entries in the FIFO is above the threshold. 1: The number of entries in the FIFO is at or below the threshold.	0
0	be	FIFO empty interrupt flag. ^{[2][3]} 0: The FIFO is not empty. 1: The FIFO is empty.	1

[1] These flags trigger the SPI interrupt.

[2] These flags can be forced to be active by software. This will trigger the SPI interrupt if it is not already set.

[3] The hardware flag goes inactive after 2 HCLK cycles, but the SPI interrupt will remain active.

5.6 SPIn Data Buffer register (SPIn_DAT - 0x2008 8014, 0x2009 0014)

The SPIn_DAT register is the means to read incoming data and write outgoing data. Note that when a data size of less than 16 bits is selected in the bitnum field of SPIn_CON, the data is right-justified in SPIn_DAT for both reading and writing.

Table 256. SPIn Data Buffer register (SPIn_DAT - 0x2008 8014, 0x2009 0014)

SPIn_DAT	Function	Description	Reset value
15:0	spid	SPI data. When SPIn_DAT is read, an entry is read from the FIFO and deleted. When SPIn_DAT is written, an entry is added to the FIFO.	0

5.7 SPIn Timer Control register (SPIn_TIM_CTRL - 0x2008 8400, 0x2009 0400)

The SPIn_TIM_CTRL register controls the activities of the time out timer. The timer can generate interrupts when the FIFO contains data for longer than a predetermined time, or when an SPI DMA request is not serviced for longer than a predetermined time. Details of timer operation may be found in the Timed Interrupt and DMA Time-out Modes section following the register descriptions. The peripheral interrupt and timed interrupt are ORed together when both are enabled.

Table 257. SPIn Timer Control register (SPIn_TIM_CTRL - 0x2008 8400, 0x2009 0400)

SPIn_TIM_CTRL	Function	Description	Reset value
2	tirqe	Timed interrupt enable. 0: Timed interrupt is disabled. 1: Timed interrupt is enabled.	0x02
1	pirqe	Peripheral interrupt enable. 0: SPI status interrupt input disabled. 1: SPI status interrupt input enabled.	
0	mode	The mode bit determines how the timer is used. 0: Timed interrupt mode. 1: DMA time out mode.	

5.8 SPIn Timer Counter register (SPIn_TIM_COUNT - 0x2008 8404, 0x2009 0404)

The SPIn_TIM_COUNT register contains the clock count value that is used in both the timed interrupt and DMA Time-out modes. Writing a value to this register starts the timed interrupt counter from 0. Details of timer operation may be found in the Timed Interrupt and DMA Time Out Modes section following the register descriptions.

Table 258. SPIn Timer Counter register (SPIn_TIM_COUNT - 0x2008 8404, 0x2009 0404)

SPIn_TIM_COUNT	Function	Description	Reset value
15:0	count	This field contains the timed interrupt period.	0

5.9 SPIn Timer Status register (SPIn_TIM_STAT - 0x2008 8408, 0x2009 0408)

The SPIn_TIM_STAT register allows checking the status of the time-out timer and distinguishing a time-out interrupt from SPI peripheral interrupts.

Table 259. SPIn Timer Status register (SPIn_TIM_STAT - 0x2008 8408, 0x2009 0408)

SPIn_TIM_STAT	Function	Description	Reset value
15	tirqstat	Timed interrupt status flag. Write 1 to this bit to clear the flag. 0: no timed interrupt pending 1: timed interrupt pending	
14:0	Reserved	Reserved, user software should not write ones to reserved bits. The value read from a reserved bit is not defined.	0

6. Timed interrupt and DMA time-out modes

The interrupt generator of the SPI handles several interrupt sources like the FIFO full interrupt `bf`, the FIFO empty interrupt `be`, and the FIFO threshold interrupt `thr`. In addition to these interrupt sources, the SPI may also generate a timed interrupt based on counts occurring at the frequency of `SPIn_CLK`.

6.1 Timed interrupt mode

The timed interrupt mode can generate an interrupt if data remains in the FIFO for a predetermined time.

- When `SPIn_TIM_COUNT` is written, the time out counter starts from 0.
- The time out counter re-starts from 0 when the value written in `SPIn_TIM_COUNT` is reached, generating an output pulse.
- If the FIFO depth is higher than 0 during the rising edge of the counter output pulse, a timed interrupt is generated.
- When the software clears the `tirqstat` bit in `SPIn_TIM_STAT`, the SPI interrupt is cleared regardless of counter value.

6.2 DMA time-out mode

The DMA time out mode can generate an interrupt if the SPI DMA request is not serviced within a predetermined time.

- When `SPIn_TIM_COUNT` is written, the time out counter is enabled, but does not start incrementing.
- The time out counter is started by the first DMA burst request from the SPI block (the signal `SPIn_BREQ`).
- Every rising edge of `SPIn_BREQ` clears the time out counter.
- When the time out counter reaches the value in `SPIn_TIM_COUNT`, the timed interrupt is set, and the time out counter is disabled.
- When software clears the `tirqstat` bit, the SPI interrupt output is cleared regardless of the level of `SPIn_BREQ`.

7. Rate calculation

The bit transfer rate of the SPI is defined by the formula:

$$\text{SPIn_CLK} = \text{HCLK} / ((\text{rate} + 1) \times 2).$$

The maximum bit rate is 52 MHz. [Table 15–260](#) gives some examples of SPI rates.

Table 260. Examples of SPI bit rates

Rate selection <code>SPIn_CON[6:0]</code>	Clock division	SPI bit rate for HCLK = 104 MHz (Mbit/s)
0000000	2	52
0000001	4	26
0000010	6	17.33
...

Table 260. Examples of SPI bit rates ...continued

Rate selection SPIn_CON[6:0]	Clock division	SPI bit rate for HCLK = 104 MHz (Mbit/s)
0011001	52	2
...
1111111	256	0.406

1. Introduction

The Secure Digital interface allows access to external Secure Digital memory cards. The SD Card interface conforms to the SD Memory Card Specification Version 1.01. The SD block interfaces to slave port 5 on the AHB Matrix. The SD Card interface uses an APB interface and is interfaced to the AHB bus through an AHB-APB bridge.

2. Features

- Conformance to the SD Memory Card Specification Version 1.01.
- DMA is supported through the system DMA Controller.
- Provides all functions specific to the secure digital memory card. These include the clock generation unit, power management control, command and data transfer.
- APB interface provides access to the SD Card Interface registers, and generates interrupt and DMA request signals.

3. Pin description

Table 261. SD card interface pin description

Pin name	Type	Description
MS_SCLK	Output	SD card clock output.
MS_BS	Input	SD card command input/output.
MS_DIO[3:0]	Output	SD card data lines.

4. Functional description

Figure 16–47 shows the connection of the SD Card Interface to an external Secure Digital memory card. If other pins are required for a specific SD Card arrangement, they would be implemented by software using GPIO or GPO pins.

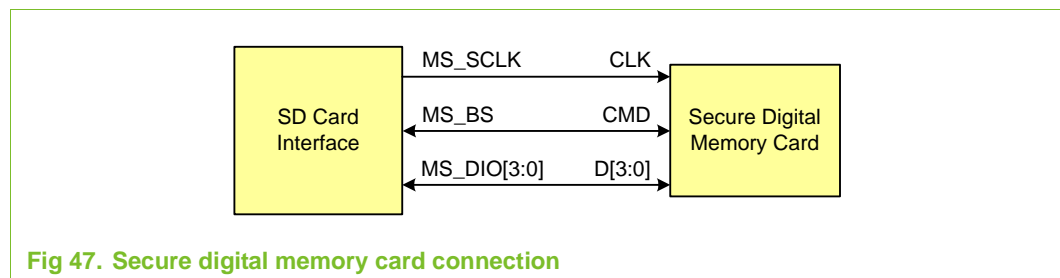


Figure 16–48 shows a simplified block diagram of the SD Card Interface.

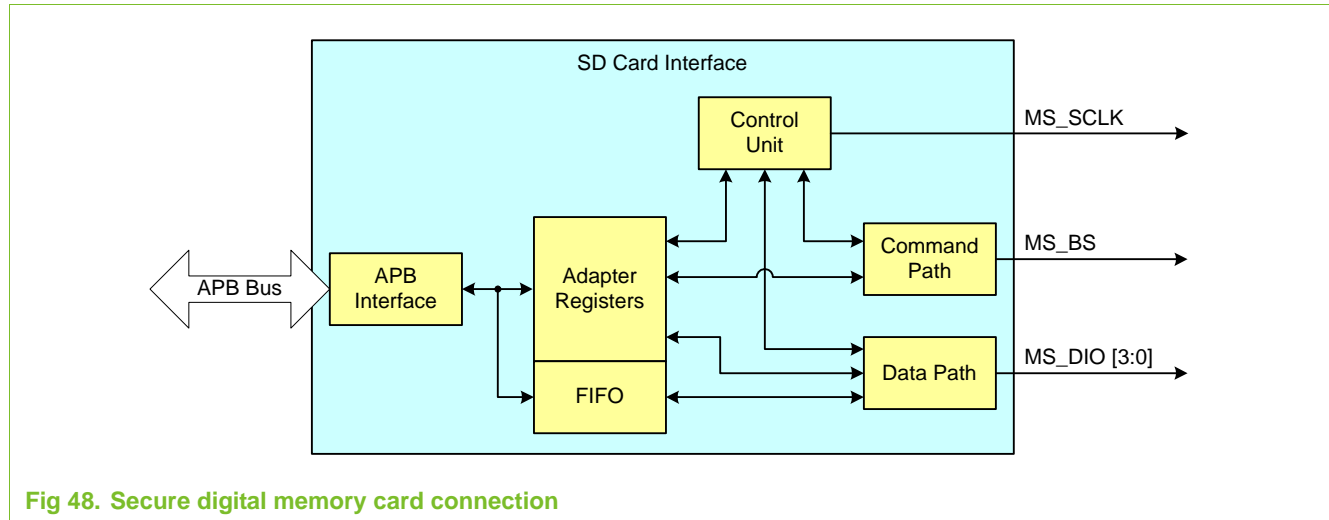


Fig 48. Secure digital memory card connection

The SD Card Interface consists of five subunits:

- Adapter register block.
- Control unit.
- Command path.
- Data path.
- Data FIFO.

4.1 Adapter register block

The register block contains all of the SD Card interface registers. This block also generates the signals that clear the static flags in the SD card. The clear signals are generated when 1 is written into the corresponding bit location of the SD_Clear register.

4.2 Control unit

The control unit contains the power management functions and the clock divider for the memory card clock.

There are three power phases: Power-off; Power-up; and Power-on.

Note that a GPIO or GPO is used to control external SD card power. SD_POWER[CTRL] should be set to power_up until power is stable, then to power_on. During Power-off and Power-up phases the interface output pins are disabled.

The clock management logic generates and controls the SD_CLK signal. The SD_CLK output can use either a clock divide or clock bypass mode. The clock output is inactive:

- After the interface is reset.
- During the power-off or power-up phases.
- If the power saving mode is enabled and the card bus is in the IDLE state (eight clock periods after both the command and data path subunits enter the IDLE phase).

4.3 Command path

The command path subunit sends commands to and receives responses from the SD card.

The CPU controls command transfers. The SD_FIFO can be read or written as a 32 bit wide register. The FIFO contains 16 entries on 16 sequential addresses. This allows the CPU to use load-store multiple operands for accessing the FIFO.

4.3.1 Command path state machine

When the command register is written and the enable bit is set, command transfer starts. When the command has been sent, the Command Path State Machine (CPSM) sets the status flags and enters the IDLE state if a response is not required. If a response is required, the state machine waits for the response. When the response is received, the received CRC code and the internally generated code are compared, and the appropriate status flags are set. The state machine uses a fixed time-out of 64 SDCLKs when waiting for a response from the SD Card. [Figure 16–49](#) gives details of the CPSM.

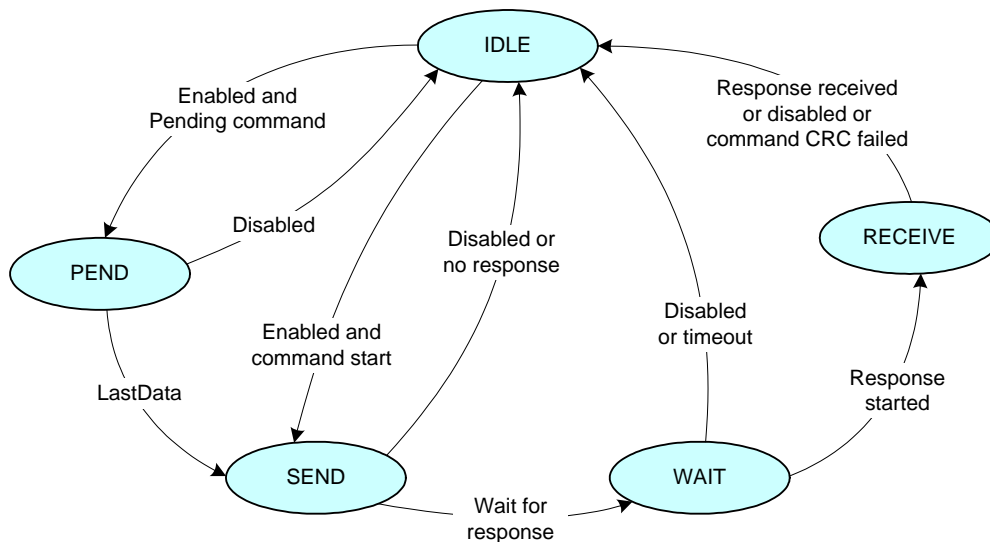


Fig 49. Command path state machine

When the WAIT state is entered, the command timer starts running. If the time-out is reached before the CPSM moves to the RECEIVE state, the time-out flag is set and the IDLE state is entered. The time-out period has a fixed value of 64 SD_CLK clock periods.

If the interrupt bit is set in the command register, the timer is disabled and the CPSM waits for an interrupt request from the SD card. If a pending bit is set in the command register, the CPSM enters the PEND state, and waits for a CmdPend signal from the data path subunit. When CmdPend is detected, the CPSM moves to the SEND state. This enables the data counter to trigger the stop command transmission. The CPSM remains in the IDLE state for at least eight SD_CLK periods to meet Ncc and Nrc timing constraints in the SD card specification.

[Figure 16–50](#) shows the command transfer.

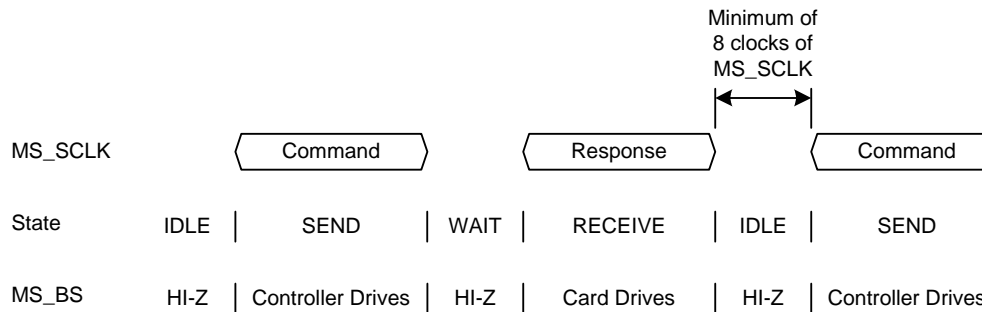


Fig 50. Command transfer

4.3.2 Command format

The command path operates in a half-duplex mode, so that commands and responses can either be sent or received. If the CPSM is not in the SEND state, the MS_BS output is in HI-Z state, as shown in [Figure 16–50](#). Data on MS_BS is synchronous to the rising SD_CLK edge. All commands have a fixed length of 48 bits. [Table 16–262](#) shows the command format.

Table 262. Command format

Bit position	Width	Value	Description
47	1	0	Start bit.
46	1	1	Transmission bit.
[45:40]	6	-	Command index.
[39:8]	32	-	Argument.
[7:1]	7	-	CRC7.
0	1	1	End bit.

The SD Card Interface supports two response types. Both use CRC error checking:

- 48 bit short response (see [Table 16–263](#)).
- 136 bit long response (see [Table 16–264](#)).

Note: If the response does not contain a CRC (CMD1 response), the device driver must ignore the CRC failed status.

Table 263. Short response format

Bit position	Width	Value	Description
47	1	0	Start bit.
46	1	0	Transmission bit.
[45:40]	6	-	Command index.
[39:8]	32	-	Argument.
[7:1]	7	-	CRC7 (or 1111111).
0	1	1	End bit.

Table 264. Long response format

Bit position	Width	Value	Description
135	1	0	Start bit.
134	1	1	Transmission bit.
[133:128]	6	111111	Reserved.
[127:1]	127	-	CID or CSD (including internal CRC7).
0	1	1	End bit.

The command register contains the command index (six bits sent to a card) and the command type. These determine whether the command requires a response, and whether the response is 48 or 136 bits long (refer to the SD_Command register description for more information). The command path implements the status flags shown in [Table 16–265](#) (refer to the SD_Status register description for more information).

Table 265. Command path status flags

Flag	Description
CmdRespEnd	Set if response CRC is OK.
CmdCrcFail	Set if response CRC fails.
CmdSent	Set when command (that does not require response) is sent.
CmdTimeOut	Response timeout.
CmdActive	Command transfer in progress.

The CRC generator calculates the CRC checksum for all bits before the CRC code. This includes the start bit, transmitter bit, command index, and command argument (or card status). The CRC checksum is calculated for the first 120 bits of CID or CSD for the long response format. Note that the start bit, transmitter bit and the six reserved bits are not used in the CRC calculation.

The CRC checksum is a 7-bit value:

$$\text{CRC}[6:0] = \text{Remainder} [(M(x) \times x^7) / G(x)]$$

$$G(x) = x^7 + x^3 + 1$$

$$M(x) = (\text{start bit}) \times x^{39} + \dots + (\text{last bit before CRC}) \times x^0, \text{ or}$$

$$M(x) = (\text{start bit}) \times x^{119} + \dots + (\text{last bit before CRC}) \times x^0$$

4.4 Data path

The card data bus width can be programmed using the clock control register. If the wide bus mode is enabled, data is transferred at four bits per clock cycle over all four data signals (MS_DIO[3:0]). If the wide bus mode is not enabled, only one bit per clock cycle is transferred over MS_DIO[0].

4.4.1 Data path state machine

The DPSM operates at SD_CLK frequency. Data on the card bus signals is synchronous to the rising edge of SD_CLK. The DPSM has six states, as shown in [Figure 16–51](#).

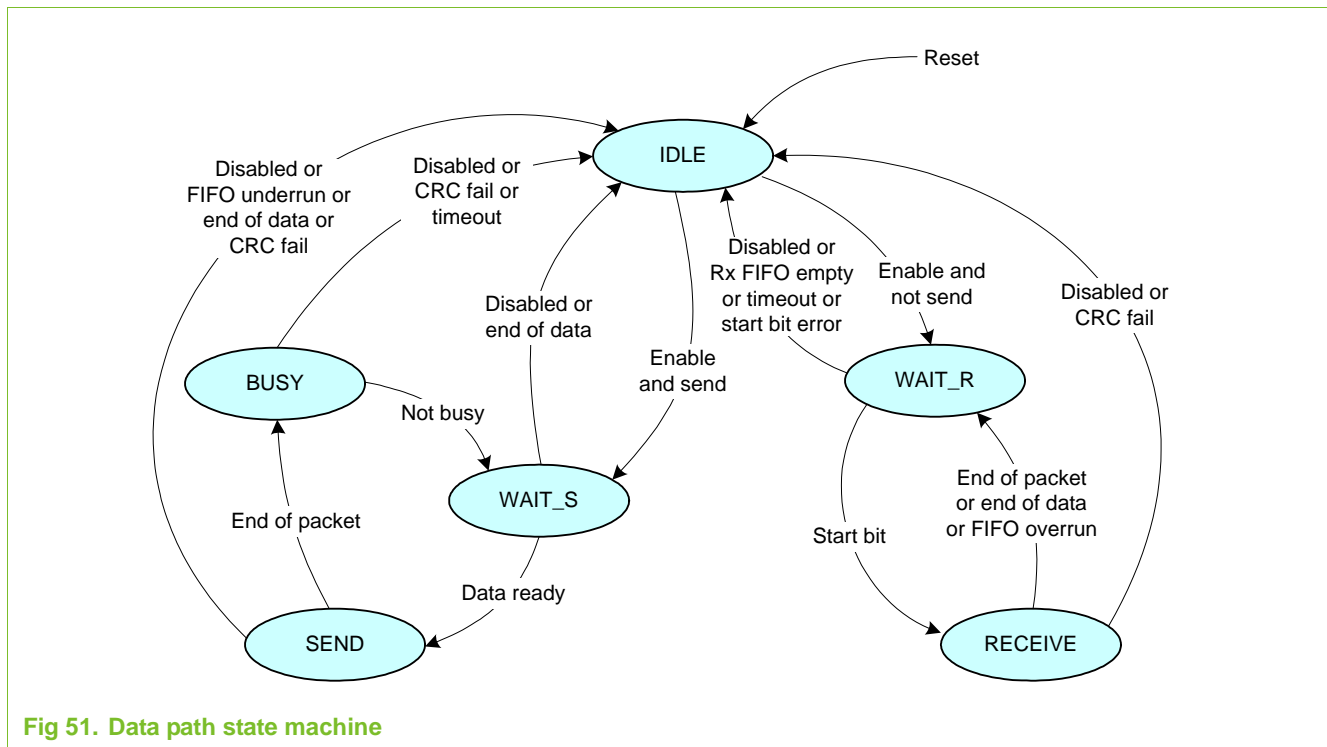


Fig 51. Data path state machine

4.4.1.1 IDLE

The data path is inactive, and the MS_DIO[3:0] outputs are in HI-Z. When the data control register is written and the enable bit is set, the DPSM loads the data counter with a new value and, depending on the data direction bit, moves to either the WAIT_S or WAIT_R state.

4.4.1.2 WAIT_R

If the data counter equals zero, the DPSM moves to the IDLE state when the receive FIFO is empty. If the data counter is not zero, the DPSM waits for a start bit on MS_DIO.

The DPSM moves to the RECEIVE state if it receives a start bit before a time-out, and loads the data block counter. If it reaches a time-out before it detects a start bit, or a start bit error occurs, the DPSM moves to the IDLE state and sets the time-out status flag.

4.4.1.3 RECEIVE

Serial data received from the SD card is packed in bytes and written to the data FIFO. Depending on the transfer mode bit in the data control register, the data transfer mode can be either block or stream:

- In block mode, when the data block counter reaches zero, the DPSM waits until it receives the CRC code. If the received code matches the internally generated CRC code, the DPSM moves to the WAIT_R state. If not, the CRC fail status flag is set and the DPSM moves to the IDLE state.
- In stream mode, the DPSM receives data while the data counter is not zero. When the counter is zero, the remaining data in the shift register is written to the data FIFO, and the DPSM moves to the WAIT-R state.

If a FIFO overrun error occurs, the DPSM sets the FIFO error flag and moves to the WAIT_R state.

4.4.1.4 WAIT_S

The DPSM moves to the IDLE state if the data counter is zero. If not, it waits until the data FIFO empty flag is deasserted, and moves to the SEND state.

Note: The DPSM remains in the WAIT_S state for at least two clock periods to meet the Nwr timing constraints in the SD card specification.

4.4.1.5 SEND

The DPSM starts sending data to a card. Depending on the transfer mode bit in the data control register, the data transfer mode can be either block or stream:

- In block mode, when the data block counter reaches zero, the DPSM sends an internally generated CRC code and end bit, and moves to the BUSY state.
- In stream mode, the DPSM sends data to a card while the enable bit is HIGH and the data counter is not zero. It then moves to the IDLE state.

If a FIFO underrun error occurs, the DPSM sets the FIFO error flag and moves to the IDLE state.

4.4.1.6 BUSY

The DPSM waits for the CRC status flag:

- If it does not receive a positive CRC status, it moves to the IDLE state and sets the CRC fail status flag.
- If it receives a positive CRC status, it moves to the WAIT_S state if MS_DIO[0] is not LOW (the card is not busy).

If a timeout occurs while the DPSM is in the BUSY state, it sets the data timeout flag and moves to the IDLE state.

4.4.1.7 Data timer

The data timer is enabled when the DPSM is in the WAIT_R or BUSY state, and generates the data time-out error:

- When transmitting data, the time-out occurs if the DPSM stays in the BUSY state for longer than the programmed time-out period.
- When receiving data, the time-out occurs if the end of the data is not true, and if the DPSM stays in the WAIT_R state for longer than the programmed time-out period.

4.4.2 Data counter

The data counter has two functions:

- To stop a data transfer when it reaches zero. This is the end of the data transfer.
- To start transferring a pending command (see [Figure 16–52](#)). This is used to send the stop command for a stream data transfer.

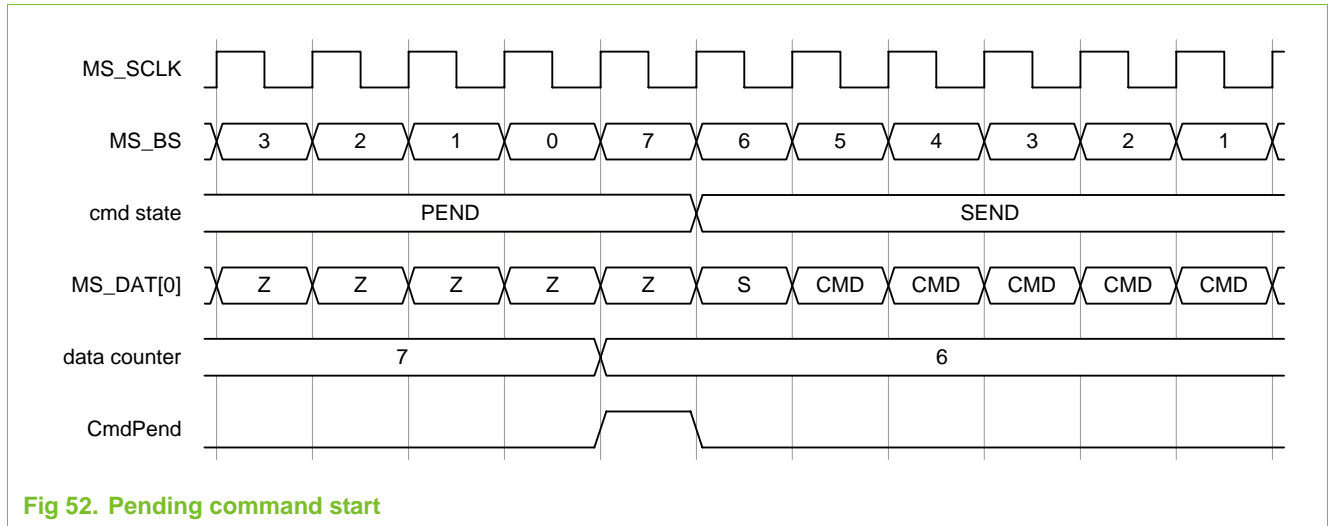


Fig 52. Pending command start

The data block counter determines the end of a data block. If the counter is zero, the end-of-data condition is TRUE (refer to the SD_DataCtrl register description for more information).

4.4.3 Bus mode

In wide bus mode, all four data signals (MS_DIO[3:0]) are used to transfer data, and the CRC code is calculated separately for each data bit. While transmitting data blocks to a card, only MS_DIO[0] is used for the CRC token and busy signalling. The start bit must be transmitted on all four data signals at the same time (during the same clock period). If the start bit is not detected on all data signals on the same clock edge while receiving data, the DPSM sets the start bit error flag and moves to the IDLE state.

The data path also operates in half-duplex mode, where data is either sent to a card or received from a card. While not being transferred, MS_DIO[3:0] are in the HI-Z state.

Data on these signals is synchronous to the rising edge of the clock period.

4.4.4 CRC token status

The CRC token status follows each write data block, and determines whether a card has received the data block correctly. When the token has been received, the card asserts a busy signal by driving MS_DIO[0] LOW. [Table 16–266](#) shows the CRC token status values.

Table 266. CRC token status

Token	Description
010	Card has received error-free data block.
101	Card has detected a CRC error.

4.4.5 Status flags

[Table 16–267](#) lists the data path status flags (refer to the SD_Status register description for more information).

Table 267. Data path status flags

Flag	Description
TxFifoFull	Transmit FIFO is full.
TxFifoEmpty	Transmit FIFO is empty.
TxFifoHalfEmpty	Transmit FIFO is half full.
TxDataAvlbl	Transmit FIFO data available.
TxUnderrun	Transmit FIFO underrun error.
RxFifoFull	Receive FIFO is full.
RxFifoEmpty	Receive FIFO is empty.
RxFifoHalfFull	Receive FIFO is half full.
RxDataAvlbl	Receive FIFO data available.
RxOverrun	Receive FIFO overrun error.
DataBlockEnd	Data block sent/received.
StartBitErr	Start bit not detected on all data signals in wide bus mode.
DataCrcFail	Data packet CRC failed.
DataEnd	Data end (data counter is zero).
DataTimeOut	Data timeout.
TxActive	Data transmission in progress.
RxActive	Data reception in progress.

4.4.6 CRC generator

The CRC generator calculates the CRC checksum only for the data bits in a single block, and is bypassed in data stream mode. The checksum is a 16-bit value:

$$\text{CRC}[15:0] = \text{Remainder} [(M(x) \times x^{15}) / G(x)]$$

$$G(x) = x^{16} + x^{12} + x^5 + 1$$

$$M(x) = (\text{first data bit}) \times x^n + \dots + (\text{last data bit}) \times x^0$$

4.5 Data FIFO

The data FIFO (first-in-first-out) subunit is a data buffer with transmit and receive logic. The FIFO contains a 32-bit wide, 16-word deep data buffer, in addition to transmit and receive logic.

4.5.1 Transmit FIFO

Data is written to the transmit FIFO through the APB interface once the SD Card Interface is enabled for transmission. When a write occurs, data is written into the FIFO location specified by the current value of the data pointer. The pointer is incremented after every FIFO write.

The transmit FIFO contains a data output register. This holds the data word pointed to by the read pointer. If the transmit FIFO is disabled, all status flags are deasserted, and the read and write pointers are reset. [Table 16–268](#) lists the transmit FIFO status flags.

Table 268. Transmit FIFO status flags

Flag	Description
TxFifoFull	Set to HIGH when all 16 transmit FIFO words contain valid data.
TxFifoEmpty	Set to HIGH when the transmit FIFO does not contain valid data.
TxHalfEmpty	Set to HIGH when 8 or more transmit FIFO words are empty. This flag can be used as a DMA request.
TxDataAvlbl	Set to HIGH when the transmit FIFO contains valid data. This flag is the inverse of the TxFifoEmpty flag.
TxUnderrun	Set to HIGH when an underrun error occurs. This flag is cleared by writing to the SD_Clear register.

4.5.2 Receive FIFO

When the data path subunit receives a word of data, it is written to the receive FIFO. The write pointer is incremented after the write is completed. On the read side, the contents of the FIFO word pointed to by the current value of the read pointer are available for reading by the CPU. The read pointer is incremented when the data is read via the APB bus interface.

If the receive FIFO is disabled, all status flags are deasserted, and the read and write pointers are reset. [Table 16–269](#) lists the receive FIFO status flags.

Table 269. Receive FIFO status flags

Flag	Description
RxFifoFull	Set to HIGH when all 16 receive FIFO words contain valid data.
RxFifoEmpty	Set to HIGH when the receive FIFO does not contain valid data.
RxHalfFull	Set to HIGH when 8 or more receive FIFO words contain valid data. This flag can be used as a DMA request.
RxDataAvlbl	Set to HIGH when the receive FIFO is not empty. This flag is the inverse of the RxFifoEmpty flag.
RxOverrun	Set to HIGH when an overrun error occurs. This flag is cleared by writing to the SD_Clear register.

4.6 APB interface

The APB interface generates interrupt and DMA requests and accesses the SD Card Interface registers and the data FIFO. It consists of a data path, register decoder, and interrupt/DMA logic. DMA is controlled by the system DMA Controller.

5. Register description

This section describes the SD registers and provides programming details. The SD Card Interface registers are shown in [Table 16–270](#).

Table 270. Secure Digital card interface register summary

Address offset	Name	Description	Reset value	Type
0x2009 8000	SD_Power	Power Control Register	0x0000 0000	R/W
0x2009 8004	SD_Clock	Clock Control Register	0x0000 0000	R/W
0x2009 8008	SD_Argument	Argument register	0x0000 0000	R/W
0x2009 800C	SD_Command	Command register	0x0000 0000	R/W

Table 270. Secure Digital card interface register summary ...continued

Address offset	Name	Description	Reset value	Type
0x2009 8010	SD_Respcmd	Command response register	0x0000 0000	RO
0x2009 8014	SD_Response0	Response register 0	0x0000 0000	RO
0x2009 8018	SD_Response1	Response register 1	0x0000 0000	RO
0x2009 800C	SD_Response2	Response register 2	0x0000 0000	RO
0x2009 8020	SD_Response3	Response register 3	0x0000 0000	RO
0x2009 8024	SD_DataTimer	Data Timer	0x0000 0000	R/W
0x2009 8028	SD_DataLength	Data Length register	0x0000 0000	R/W
0x2009 802C	SD_DataCtrl	Data Control register	0x0000 0000	R/W
0x2009 8030	SD_DataCnt	Data counter	0x0000 0000	RO
0x2009 8034	SD_Status	Status register	0x0000 0000	RO
0x2009 8038	SD_Clear	Clear register	0x0000 0000	WO
0x2009 803C	SD_Mask0	Interrupt mask register 0	0x0000 0000	R/W
0x2009 8040	SD_Mask1	Interrupt mask register 1	0x0000 0000	R/W
0x2009 8048	SD_FIFOcnt	FIFO counter	0x0000 0000	RO
0x2009 8080 to 0x2009 80BC	SD_FIFO	Data FIFO register	0x0000 0000	R/W

5.1 Power control register (SD_Power - 0x2009 8000)

The SD_Power register controls an external power supply. Power can be switched on and off. When the external power supply is switched on, the software first enters the power-up phase, and waits until the supply output is stable before moving to the power-on phase. The card bus outlets are disabled during both phases. Note that after a data write, data cannot be written to this register for three MS_SCLK clock periods plus two HCLK periods. [Table 16–271](#) shows the bit assignment of the SD_Power register.

Table 271. Power control register (SD_Power - 0x2009 8000)

Bit	Function	Description	Reset value
31:7	Not used	-	-
6	OpenDrain	SDCMD output control 0=MS_BS (MS_BS pin) is push-pull type (default) 1=MS_BS (MS_BS pin) is open drain type	0
5:2	Not used	-	-
1:0	Ctrl	Power mode control. 00 = Power Off. 01 = Reserved. 10 = Power up. Disables output pins. The SD_PWR function may be implemented in software by using a GPO pin. 11 = Power on. Enables output pins. The SD_PWR function may be implemented in software by using a GPO pin.	0

5.2 Clock control register (SD_Clock - 0x2009 8004)

The SD_Clock register controls the SD_CLK output. While the SD Card Interface is in identification mode, the maximum SD_CLK frequency is 400 kHz. Note that after a data write, data cannot be written to this register for three SD_CLK clock periods plus two HCLK periods. [Table 16–272](#) shows the bit assignment of the clock control register.

Table 272. Clock control register (SD_Clock - 0x2009 8004)

Bit	Function	Description	Reset value
31:12	Not used	-	-
11	WideBus	Enables the wide bus mode. 0 = Standard bus mode (only MS_DIO[0] used). 1 = Wide bus mode (MS_DIO[3:0] used).	0
10	Bypass	Enables bypassing the clock divide logic. 0 = No bypass. 1 = Bypass SDCLK divider. (SD_CLK = SDCLK)	0
9	PwrSave	Disables the SD card clock output when the bus is idle. 0 = SD_CLK is always enabled. 1 = SD_CLK is disabled when SD bus is idle.	0
8	Enable	Enables the SD card clock. 0 = SD_CLK disabled. 1 = SD_CLK enabled.	0
7:0	ClkDiv	Controls the SD card clock period. Set SD_CLK output frequency $SD_CLK = SDCLK / (2 \times (ClkDiv + 1))$	0

5.3 Argument register (SD_Argument - 0x2009 8008)

The SD_Argument register contains a 32-bit command argument, which is sent to a card as part of a command message. If a command contains an argument, it must be loaded into the SD_Argument register before writing a command to the SD_Command register. [Table 16–273](#) shows the bit assignment of the SD_Argument register.

Table 273. Argument register (SD_Argument - 0x2009 8008)

Bit	Function	Description	Reset value
31:0	Argument	Command argument	0

5.4 Command register (SD_Command - 0x2009 800C)

The SD_Command register contains the command index and command type bits:

- The command index is sent to a card as part of a command message.
- The command type bits control the Command Path State Machine (CPSM). Writing 1 to the enable bit starts the command send operation, while clearing the bit disables the CPSM.

Note that after a data write, data cannot be written to this register for three SD_CLK clock periods plus two HCLK periods. [Table 16–274](#) shows the bit assignment of the SD_Command register.

Table 274. Command register (SD_Command - 0x2009 800C)

Bit	Function	Description	Reset value
31:11	Not used	-	-
10	Enable	0 = Disable the Command Path State Machine. 1 = Enable the Command Path State Machine.	0
9	Pending	0 = Do not wait before sending the command. 1 = Wait for CmdPend before sending the command.	0
8	Interrupt	0 = No interrupt. 1 = Disable the command timer and wait for a card interrupt request without timeout.	0
7	LongRsp	0 = Expect a normal response. 1 = Expect a 136-bit long command response if a response is required.	0
6	Response	0 = No response is required. 1 = A response to the command is required.	0
5:0	CmdIndex	Command Index. This is sent to the card as part of the command message.	0

[Table 16–275](#) shows the response types.

Table 275. Command response types

Response	Long Response	Description
0	0	No response, expect CmdSent flag.
0	1	No response, expect CmdSent flag.
1	0	Short response, expect CmdRespEnd or CmdCrcFail flag.
1	1	Long response, expect CmdRespEnd or CmdCrcFail flag.

5.5 Command response register (SD_Respcmd - 0x2009 8010)

The SD_Respcmd register contains the command index field of the last command response received. If the command response transmission does not contain the command index field (long response), the RespCmd field is unknown. [Table 16–276](#) shows the bit assignment of the SD_Respcmd register.

Table 276. Command response register (SD_Respcmd - 0x2009 8010)

Bit	Function	Description	Reset value
31:6	Not used	-	-
5:0	RespCmd	Response command index.	0

5.6 Response registers (SD_Response0-3 - 0x2009 8014, 018, 01C, 020)

The SD_Response0-3 registers contain the status of a card, which is part of the received response. [Table 16–277](#) shows the bit assignment of the SD_Response0-3 registers.

Table 277. Response registers (SD_Response0-3 - 0x2009 8014, 018, 01C, 020)

Bit	Function	Description	Reset value
31:0	Status	Card status.	0

The most significant bit of the card status is received first. The SD_Response3 register LSB is always 0. The card status size can be 32 or 127 bits, depending on the response type, as shown in [Table 16–278](#).

Table 278. Response register type

Description	Short response	Long response
SD_Response0	Card status [31:0].	Card status [127:96].
SD_Response1	Unused.	Card status [95:64].
SD_Response2	Unused.	Card status [63:32].
SD_Response3	Unused.	Card status [31:1].

5.7 Data timer register (SD_DataTimer - 0x2009 8024)

The SD_DataTimer register contains the data time-out period in card bus clock periods. A counter loads the value from the data timer register and starts decrementing when the Data Path State Machine (DPSM) enters the WAIT_R or BUSY state. If the timer reaches 0 while the DPSM is in either of these states, the time-out status flag is set. A data transfer must be written to the data timer register and the data length register before being written to the data control register. [Table 16–279](#) shows the bit assignment of the SD_DataTimer register.

Table 279. Data timer register (SD_DataTimer - 0x2009 8024)

Bit	Function	Description	Reset value
31:0	DataTime	Data time-out period.	0

5.8 Data length register (SD_DataLength - 0x2009 8028)

The SD_DataLength register indicates the number of data bytes to be transferred. The value is loaded into the data counter when data transfer starts. For a block data transfer, the value in the data length register must be a multiple of the block size (see Data control register, SD_DataCtrl). A data transfer must be written to the data timer register and the data length register before being written to the data control register. [Table 16–280](#) shows the bit assignment of the SD_DataLength register.

Table 280. Data length register (SD_DataLength - 0x2009 8028)

Bit	Function	Description	Reset value
31:16	Not used	-	-
15:0	DataLength	Data length value.	0

5.9 Data control register (SD_DataCtrl - 0x2009 802C)

The SD_DataCtrl register controls the DPSM. Data transfer starts if 1 is written to the enable bit. Depending on the direction bit, the DPSM moves to the WAIT_S or WAIT_R state. It is not necessary to clear the enable bit after the data transfer. Note that after a data write, data cannot be written to this register for three SD_CLK clock periods plus two HCLK periods. [Table 16–281](#) shows the bit assignment of the SD_DataCtrl register.

Table 281. Data control register (SD_DataCtrl - 0x2009 802C)

Bit	Function	Description	Reset value
31:8	Not used	-	-
7:4	BlockSize	0000 = 1 byte. 0001 = 2 bytes. 0010 = 4 bytes. 1011 = 2048 bytes (maximum). Any value above 1011 is reserved.	0
3	DMAEnable	0 = DMA is disabled. 1 = DMA is enabled.	0
2	Mode	0 = Block data transfer. 1 = Stream data transfer.	0
1	Direction	0 = From controller to Card (transmit). 1 = From Card to Controller (receive).	0
0	Enable	0 = Data transfer disabled. 1 = Data transfer enabled.	0

5.10 Data counter register (SD_DataCnt - 0x2009 8030)

The SD_DataCnt register loads the value from the data length register (see Data length register, SD_DataLength) when the DPSM moves from the IDLE state to the WAIT_R or WAIT_S state. As data is transferred, the counter decrements the value until it reaches 0. The DPSM then moves to the IDLE state and the data status end flag is set. This register should be read only when the data transfer is complete. [Table 16–282](#) shows the bit assignment of the SD_DataCnt register.

Table 282. Data counter register (SD_DataCnt - 0x2009 8030)

Bit	Function	Description	Reset value
31:16	Not used	-	-
15:0	DataCount	Indicates the number of bytes remaining to transfer.	0

5.11 Status register (SD_Status - 0x2009 8034)

The SD_Status register is a read-only register. It contains two types of flag:

- Static [10:0]: These remain asserted until they are cleared by writing to the Clear register (see Clear register, SD_Clear).
- Dynamic [21:11]: These change state depending on the state of the underlying logic (for example, FIFO full and empty flags are asserted and deasserted as data is written to the FIFO).

[Table 16–283](#) shows the bit assignment of the SD_Status register.

Table 283. Status register (SD_Status - 0x2009 8034)

Bit	Function	Description	Reset value
31:22	Not used	-	-
21	RxDataAvlbl	1 = Data available in receive FIFO.	0
20	TxDATAAvlbl	1 = Data available in transmit FIFO.	0
19	RxFifoEmpty	1 = Receive FIFO empty.	0
18	TxFifoEmpty	1 = Transmit FIFO empty.	0
17	RxFifoFull	1 = Receive FIFO full.	0
16	TxFifoFull	1 = Transmit FIFO full.	0
15	RxFifoHalfFull	1 = Receive FIFO half full.	0
14	TxFifoHalfEmpty	1 = Transmit FIFO half empty.	0
13	RxActive	1 = Data receive in progress.	0
12	TxActive	1 = Data transmit in progress.	0
11	CmdActive	1 = Command transfer in progress.	0
10	DataBlockEnd	1 = Data block sent/received (CRC check passed).	0
9	StartBitErr	1 = Start bit not detected on all data signals in wide bus mode.	0
8	DataEnd	1 = Data end (Data counter is zero).	0
7	CmdSent	1 = Command sent (No response required).	0
6	CmdRespEnd	1 = Command Response received (CRC check passed).	0
5	RxOverrun	1 = Receive FIFO overrun.	0
4	TxUnderrun	1 = Transmit FIFO underrun.	0
3	DataTimeOut	1 = Data Timeout.	0
2	CmdTimeOut	1 = Command Response Timeout.	0
1	DataCrcFail	1 = Data block sent/received (CRC check failed).	0
0	CmdCrcFail	1 = Command response received (CRC check failed).	0

5.12 Clear register (SD_Clear - 0x2009 8038)

The SD_Clear register is a write-only register. The corresponding static status flags can be cleared by writing a 1 to the corresponding bit in the register. [Table 16–284](#) shows the bit assignment of the SD_Clear register.

Table 284. Clear register (SD_Clear - 0x2009 8038)

Bit	Function	Description	Reset value
31:11	Not used	-	-
10	DataBlockEndClr	Clears the DataBlockEnd flag.	0
9	StartBitErrClr	Clears the StartBitErr flag.	0
8	DataEndClr	Clears the DataEnd flag.	0
7	CmdSentClr	Clears the CmdSent flag.	0
6	CmdRespEndClr	Clears the CmdRespEnd flag.	0
5	RxOverrunClr	Clears the RxOverrun flag.	0
4	TxUnderrunClr	Clears the TxUnderrun flag.	0

Table 284. Clear register (SD_Clear - 0x2009 8038) ...continued

Bit	Function	Description	Reset value
3	DataTimeOutClr	Clears the DataTimeOut flag.	0
2	CmdTimeOutClr	Clears the CmdTimeOut flag.	0
1	DataCrcFailClr	Clears the DataCrcFail flag.	0
0	CmdCrcFailClr	Clears the CmdCrcFail flag.	0

5.13 Interrupt mask registers (SD_Maskx - 0x2009 803C, 040)

The interrupt mask registers 0 and 1 determine which status flags generate an interrupt request by setting the corresponding bit to 1. [Table 16–285](#) shows the bit assignment of the SD_Maskx registers.

Table 285. Interrupt mask registers (SD_Maskx - 0x2009 803C, 040)

Bit	Function	Description	Reset value
31:22	Not used	-	-
21	Mask21	1 = enable interrupt for the RxDataAvlbl flag.	0
20	Mask20	1 = enable interrupt for the TxDataAvlbl flag.	0
19	Mask19	1 = enable interrupt for the RxFifoEmpty flag.	0
18	Mask18	1 = enable interrupt for the TxFifoEmpty flag.	0
17	Mask17	1 = enable interrupt for the RxFifoFull flag.	0
16	Mask16	1 = enable interrupt for the TxFifoFull flag.	0
15	Mask15	1 = enable interrupt for the RxFifoHalfFull flag.	0
14	Mask14	1 = enable interrupt for the TxFifoHalfEmpty flag.	0
13	Mask13	1 = enable interrupt for the RxActive flag.	0
12	Mask12	1 = enable interrupt for the TxActive flag.	0
11	Mask11	1 = enable interrupt for the CmdActive flag.	0
10	Mask10	1 = enable interrupt for the DataBlockEnd flag.	0
9	Mask9	1 = enable interrupt for the StartBitErr flag.	0
8	Mask8	1 = enable interrupt for the DataEnd flag.	0
7	Mask7	1 = enable interrupt for the CmdSent flag.	0
6	Mask6	1 = enable interrupt for the CmdRespEnd flag.	0
5	Mask5	1 = enable interrupt for the RxOverrun flag.	0
4	Mask4	1 = enable interrupt for the TxUnderrun flag.	0
3	Mask3	1 = enable interrupt for the DataTimeOut flag.	0
2	Mask2	1 = enable interrupt for the CmdTimeOut flag.	0
1	Mask1	1 = enable interrupt for the DataCrcFail flag.	0
0	Mask0	1 = enable interrupt for the CmdCrcFail flag.	0

5.14 FIFO counter register (SD_FIFOCnt - 0x2009 8048)

The SD_FIFOCnt register contains the remaining number of words to be written to or read from the FIFO. The FIFO counter loads the value from the data length register (see Data length register, SD_DataLength) when the Enable bit is set in the data control register. If the data length is not word aligned (a multiple of 4), the remaining 1 to 3 bytes are regarded as a word. [Table 16–286](#) shows the bit assignment of the SD_FIFOCnt register.

Table 286. FIFO counter register (SD_FIFOCnt - 0x2009 8048)

Bit	Function	Description	Reset value
31:15	Not used	-	-
14:0	DataCount	Remaining data words to transfer.	0

5.15 Data FIFO register (SD_FIFO - 0x2009 8080 to 0x2009 80BC)

The receive and transmit FIFOs can be read or written as 32-bit wide registers. The FIFOs contain 16 entries on 16 sequential addresses. This allows the CPU to use its load and store multiple operands to read and write to the FIFO. [Table 16–287](#) shows the bit assignment of the SD_FIFO register.

Table 287. Data FIFO register (SD_FIFO - 0x2009 8080 to 0x2009 80BC)

Bit	Function	Description	Reset value
31:0	Data	Read or write FIFO data.	0

1. Features

- The two I²C blocks are standard I²C compliant bus interfaces that may be used in Single Master mode only.
- Programmable clock to allow adjustment of I²C transfer rates.
- Bidirectional data transfer.
- Serial clock synchronization allows devices with different bit rates to communicate via one serial bus.
- Serial clock synchronization can be used as a handshake mechanism to suspend and resume serial transfer.

2. Applications

Interfaces to external I²C standard parts, such as serial RAMs, LCDs, tone generators, diagnostic ports, etc.

3. Description

There are two I²C interfaces in the LPC3180. I2C1 is connected to the I2C1_SDL and I2C1_SDA pins on the VDD1828 domain. I2C2 is connected to the I2C2_SDL and I2C2_SDA pins on the VDDIO18 domain.

These I²C blocks are a master only implementation supporting the 400 kHz I²C mode with 7 bit addressing. Each has a four word FIFO for both transmit and receive. An interrupt signal is available from each block.

Note that the I²C clock must be enabled in the I2CCLK_CTRL register before using the I²C. The I²C clock can be disabled between communications. Since this is a single master I²C interface, software has full control of when I²C communication is taking place on the bus.

A typical I²C-bus configuration is shown in [Figure 17-54](#). Depending on the state of the direction bit (R/W), two types of data transfers are possible on the I²C-bus:

Data transfer from a master transmitter to a slave receiver. The first byte transmitted by the master is the slave address. Next follows a number of data bytes. The slave returns an acknowledge bit after each received byte.

Data transfer from a slave transmitter to a master receiver. The first byte (the slave address) is transmitted by the master. The slave then returns an acknowledge bit. Next follows the data bytes transmitted by the slave to the master. The master returns an acknowledge bit after all received bytes other than the last byte. At the end of the last received byte, a “not acknowledge” is returned. The master device generates all of the serial clock pulses and the START and STOP conditions. A transfer is ended with a STOP condition or with a repeated START condition. Since a repeated START condition is also the beginning of the next serial transfer, the I²C-bus will not be released.

Each of the I²C interfaces on the LPC3180 contains a four byte FIFO, allowing more data to be transferred before additional software attention is needed.

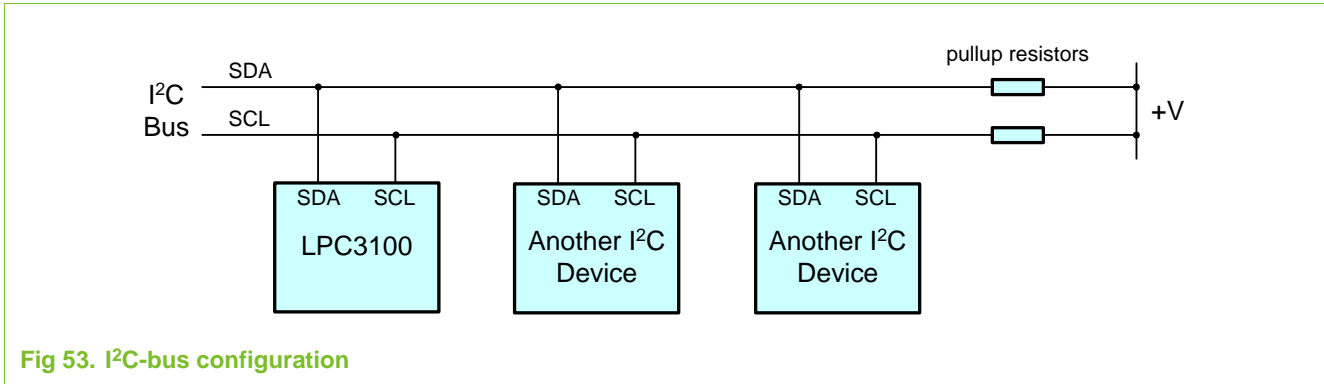


Fig 53. I²C-bus configuration

4. Pin description

Table 288. I²C-bus pin description

Pin name	Type	Description
I2C1_SDA, I2C2_SDA	Input/Output	I ² C Serial Data.
I2C1_SCL, I2C2_SCL	Input/Output	I ² C Serial Clock.

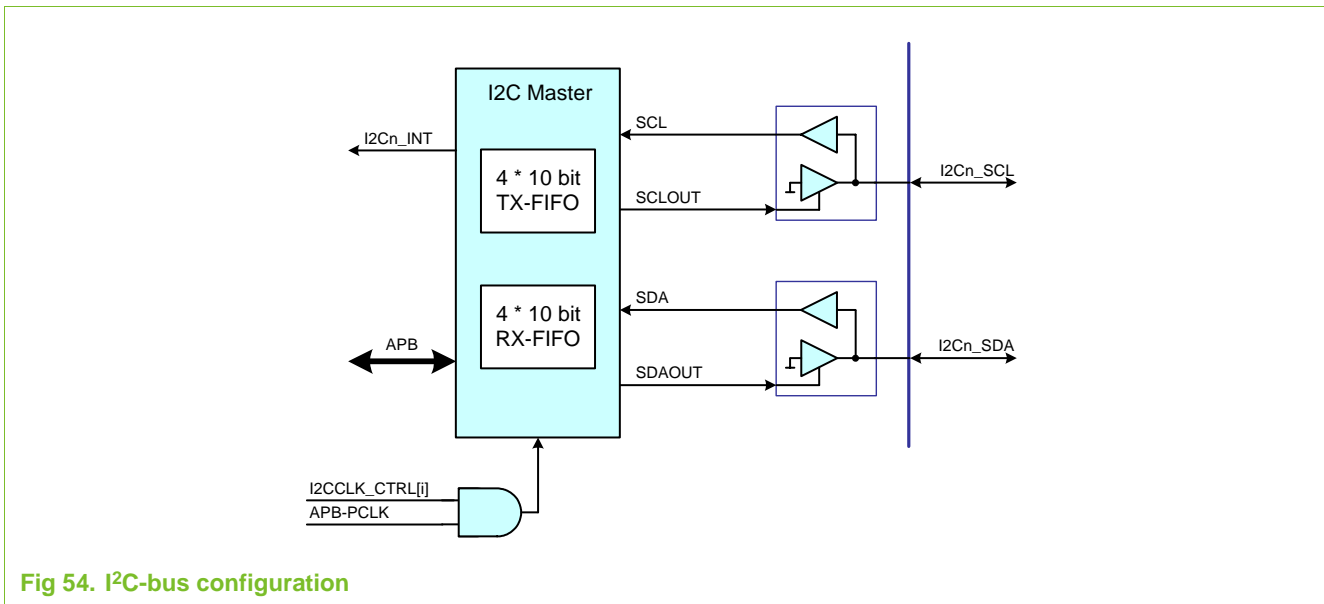


Fig 54. I²C-bus configuration

5. Register description

The two I²C blocks are located at the base addresses shown in [Table 17–289](#).

Table 289. Standard UART base addresses

I ² C block	Base address
1	0x400A 0000
2	0x400A 8000

Each I²C interface contains the registers shown in [Table 17–290](#). More detailed descriptions follow.

Table 290. I²C registers

Address offset	Name	Description	Access
0x00	I2Cn_RX	I2Cn RX Data FIFO	RO
0x00	I2Cn_TX	I2Cn TX Data FIFO	WO
0x04	I2Cn_STS	I2Cn Status Register	RO
0x08	I2Cn_CTRL	I2Cn Control Register	R/W
0x0C	I2Cn_CLK_HI	I2Cn Clock Divider high	R/W
0x10	I2Cn_CLK_LO	I2Cn Clock Divider low	R/W

5.1 I2Cn RX Data FIFO (I2Cn_RX - 0x400A 0000, 0x400A 8000)

The RX FIFO may be cleared via a soft reset, by setting bit 8 in the I2Cn_CTRL register.

When operating as a master, the TX_FIFO must be written for both write and read operations for proper transactions. Bits [7:0] are ignored for master-receive operations. The master-receiver must write a (dummy) byte to the TX_FIFO for each byte it expects to receive in the RX_FIFO.

When the STOP_bit (9) is set or the START_bit (8) is set - to cause a RESTART condition - on a byte written to the TX_FIFO as a master-receiver, then the byte read from the slave is not acknowledged. That is, the last byte of a master-receive operation is not acknowledged.

If the RX FIFO is read while empty, a DATA ABORT exception is generated.

Table 291. I2Cn RX Data FIFO (I2Cn_RX - 0x400A 0000, 0x400A 8000)

I2Cn_RX	Function	Description	Reset value
7:0	RxData	Receive FIFO data bits 7:0	N/A

5.2 I2Cn TX Data FIFO (I2Cn_TX - 0x400A 0000, 0x400A 8000)

The TX FIFO may be cleared via a soft reset, by setting bit 8 in the I2Cn_CTRL register.

If the TX FIFO is written to while full a DATA ABORT exception is generated.

Table 292. I2Cn TX Data FIFO (I2Cn_TX - 0x400A 0000, 0x400A 8000)

I2Cn_TX	Function	Description	Reset value
9	STOP	0: Do not issue a STOP condition after transmitting this byte 1: Issue a STOP condition after transmitting this byte.	NA
8	START	0: Do not Issue a START condition before transmitting this byte 1: Issue a START condition before transmitting this byte.	NA
7:0	TxData	Transmit FIFO data bits 7:0	NA

5.3 I2Cn Status register (I2Cn_STS - 0x400A 0004, 0x400A 8004)

The status is a read-only register that provides status information on the TX and RX blocks as well as the current state of the external buses. A soft reset will clear the status register with the exception of the TFE and RFE bits, which will be set, and the SCL and SDA bits, which continue to reflect the state of the bus pins.

Table 293. I2Cn Status register (I2Cn_STS - 0x400A 0004, 0x400A 8004)

I2Cn_STS	Function	Description	Reset value
11	TFE	Transmit FIFO Empty. 0: TX FIFO contains valid data. 1: TX FIFO is empty TFE is set when the TX FIFO is empty and is cleared when the TX FIFO contains valid data.	1
10	TFF	Transmit FIFO Full. 0: TX FIFO is not full. 1: TX FIFO is full TFF is set when the TX FIFO is full and is cleared when the TX FIFO is not full.	0
9	RFE	Receive FIFO Empty. 0: RX FIFO contains data. 1: RX FIFO is empty RFE is set when the RX FIFO is empty and is cleared when the RX FIFO contains valid data.	1
8	RFF	Receive FIFO Full. 0: RX FIFO is not full 1: RX FIFO is full This bit is set when the RX FIFO is full and cannot accept any more data. It is cleared when the RX FIFO is not full. If a byte arrives when the Receive FIFO is full, the SCL is held low until the ARM reads the RX FIFO and makes room for it.	0
7	SDA	The current value of the SDA signal.	NA
6	SCL	The current value of the SCL signal.	NA
5	ACTIVE	Indicates whether the bus is busy. This bit is set when a START condition has been seen. It is cleared when a STOP condition is seen.	0
4	(unused)	Not used.	NA
3	DRMI	Master Data Request Interrupt 0: Master transmitter does not need data. 1: Master transmitter needs data. Once a transmission is started, the transmitter must have Data to transmit as long as it isn't followed by a stop Condition or it will hold SCL low until more data is Available. The Master Data Request bit is set when the master transmitter is data-starved. If the master TX FIFO is empty and the last byte did not have a STOP condition flag, then SCL is held low until the ARM writes another byte to transmit. This bit is cleared when a byte is written to the master TX FIFO.	0

Table 293. I2Cn Status register (I2Cn_STS - 0x400A 0004, 0x400A 8004) ...continued

I2Cn_STS	Function	Description	Reset value
2	NAI	No Acknowledge Interrupt 0: Last transmission received an acknowledge. 1: Last transmission did not receive an acknowledge. After every byte of data is sent, the transmitter expects an acknowledge from the receiver. This bit is set if the acknowledge is not received. It is cleared when a byte is written to the master TX FIFO.	0
1	(unused)	Not used.	NA
0	TDI	Transaction Done Interrupt 0: Transaction has not completed. 1: Transaction completed. This flag is set if a transaction completes successfully. It is cleared by writing a '1' to bit 0 of the status register.	0

5.4 I2Cn Control Register (I2Cn_CTRL - 0x400A 0008, 0x400A 8008)

The CTL register is used to enable interrupts and reset the I²C state machine.

Table 294. I2Cn Control Register (I2Cn_CTRL - 0x400A 0008, 0x400A 8008)

I2Cn_CTRL	Function	Description	Reset value
8	RESET	Soft Reset 0: No effect 1: Reset the I ² C to idle state. Self clearing. On a soft reset, the TX and RX FIFOs are flushed, STS register is cleared, and all internal state machines are reset to appear idle. The CLK, CTL, and ADR registers are NOT modified by a soft reset.	0
7	TFFIE	Transmit FIFO Not Full Interrupt Enable 0: Disable the TFFI. 1: Enable the TFFI. This enables the Transmit FIFO Not Full interrupt to indicate that more data can be written to the transmit FIFO. Note that this is not full. It is intended help the ARM Write to the I ² C block only when there is room in the FIFO to accept it and do this without polling the status register.	0
6	RFDAIE	Receive Data Available Interrupt Enable 0: Disable the DAI. 1: Enable the DAI. This enables the DAI interrupt to indicate that data is available in the receive FIFO (i.e. not empty).	0
5	DAIE	Receive FIFO Full Interrupt Enable 0: Disable the RFFI. 1: Enable the RFFI. This enables the Receive FIFO Full interrupt to indicate that the receive FIFO cannot accept any more data.	0
4	(unused)	Not used.	NA

Table 294. I2Cn Control Register (I2Cn_CTRL - 0x400A 0008, 0x400A 8008) ...continued

I2Cn_CTRL	Function	Description	Reset value
3	DRMIE	Master Transmitter Data Request Interrupt Enable 0: Disable the DRMI interrupt. 1: Enable the DRMI interrupt. This enables the DRMI interrupt which signals that the master transmitter has run out of data, has not issued a Stop, and is holding the SCL line low.	0
2	NAIE	Transmitter No Acknowledge Interrupt Enable 0: Disable the NAI. 1: Enable the NAI. This enables the NAI interrupt signalling that transmitted byte was not acknowledged.	0
1	(unused)	Not used.	NA
0	TDIE	Transmit Done Interrupt Enable 0: Disable the TDI interrupt. 1: Enable the TDI interrupt. This enables the TDI interrupt signalling that this I ² C issued a stop condition.	0

5.5 I2Cn Clock Divider High (I2Cn_CLK_HI - 0x400A 000C, 0x400A 800C)

The CLK register holds a terminal count for counting HCLK cycles to create the high period of the slower I²C serial clock, SCL. When reset, the clock divider will be set to run at its minimum frequency.

Table 295. I2Cn Clock Divider High (I2Cn_CLK_HI - 0x400A 000C, 0x400A 800C)

I2Cn_CLK_HI	Function	Description	Reset value
9:0	CLK_DIV_HI	Clock Divisor High This value sets the number of HCLK cycles SCL will be high. $F_{SCL} = F_{HCLK} / (CLK_DIV_HI + CLK_DIV_LO)$ This means that in order to get $F_{SCL} = 100$ kHz set $CLK_DIV_HIGH = CLK_DIV_LOW = 520$. ($F_{HCLK} = 104$ MHz). The lowest operating frequency is about 50 kHz.	0x3FF

5.6 I2Cn Clock Divider Low (I2Cn_CLK_LO - 0x400A 0010, 0x400A 8010)

The CLK register holds a terminal count for counting HCLK cycles to create the low period of the slower I²C serial clock, SCL. When reset, the clock divider will be set to run at its minimum frequency.

Table 296. I2Cn Clock Divider Low (I2Cn_CLK_LO - 0x400A 0010, 0x400A 8010)

I2Cn_CLK_LO	Function	Description	Reset value
9:0	CLK_DIV_LO	Clock Divisor Low This value sets the number of HCLK cycles SCL will be low. $F_{SCL} = F_{HCLK} / (CLK_DIV_HI + CLK_DIV_LO)$ This means that in order to get $F_{SCL} = 100$ kHz set $CLK_DIV_HIGH = CLK_DIV_LOW = 520$. ($F_{HCLK} = 104$ MHz). The lowest operating frequency is about 50 kHz.	0x3FF

6. I²C clock settings

[Table 17–297](#) shows some examples of clock settings for various HCLK and I²C frequencies.

Table 297. Example I²C rate settings

HCLK frequency (MHz)	I ² C clock rate (kHz)	I2Cn_CLK_HI + I2Cn_CLK_LO	I2Cn_CLK_HI	I2Cn_CLK_LO	Comment
208	100	1080	520	520	Symmetric clock (standard for 100 kHz I ² C)
104	100	1040	520	520	Symmetric clock (standard for 100 kHz I ² C)
52	100	520	260	260	Symmetric clock (standard for 100 kHz I ² C)
13	100	130	65	65	Symmetric clock (standard for 100 kHz I ² C)
208	400	520	187	333	Asymmetric clock (per 400 kHz I ² C spec)
104	400	260	94	166	Asymmetric clock (per 400 kHz I ² C spec)
52	400	130	47	83	Asymmetric clock (per 400 kHz I ² C spec)
13	400	33 (rounded up)	12	21	Asymmetric clock (per 400 kHz I ² C spec). Actual rate will be 393.9 kHz.

1. Features

- Supports up to 64 keys in 8 × 8 matrix.
- Programmable debounce period.
- A key press can wake up the CPU from stop mode.

2. Functional description

2.1 Clocking

The Keyboard Scan block has dual clock domains, a 32 kHz domain for scan functionality and a PERIPH_CLK domain for the FAB bus interface including registers. To secure proper functionality the 32 kHz clock should always be kept running.

To wake up the CPU from stop mode on a 'key pressed', a start signal is issued via the NKEY_IRQ signal. This is achieved without the APB bus or PERIPH_CLK active.

2.2 Multiplexing of pins

To be able to use a full 8 × 8 matrix, the GPIO_03 and GPIO_02 pins must be connected to Row[7:6]. This is performed by setting the appropriate bits in the PIO_MUX_SET register.

2.3 Keyboard scan operation

When the internal state machine is in 'Idle state', all KEY_ROW[n] pins are set to 'high' waiting for a key (or multiple keys) to be pressed. 'Key pressed' is detected as a 'high' on the respective KEY_COL[n] input pin. The matrix is scanned by setting one output pin 'high' at a time and read all inputs. After a pre-programmed de-bounce period (n identical matrix values are read) the keypad state is stored in the matrix registers (KS_DATA[n][7:0]) and an interrupt request is sent to the interrupt controller. The keypad is then continuously scanned waiting for 'extra key pressed' or 'key released'. Any new keypad state is scanned and stored into the matrix registers followed by a new interrupt request to the interrupt controller.

It is possible to detect and separate up to 64 multiple keys pressed. It is possible to read the KEY_ROW[n] inputs directly via the FAB bus. The internal de-bounce logic will then be inactive.

The time for one read cycle of a 6 × 6 keypad with 32 kHz input clock is:

$$(1/32000) \times 6 = 187 \text{ ms}$$

(with de-bouncing (KS_DEB[7:0] = 5):

$$5 \times (1/32000) \times 6 = 938 \text{ ms}$$

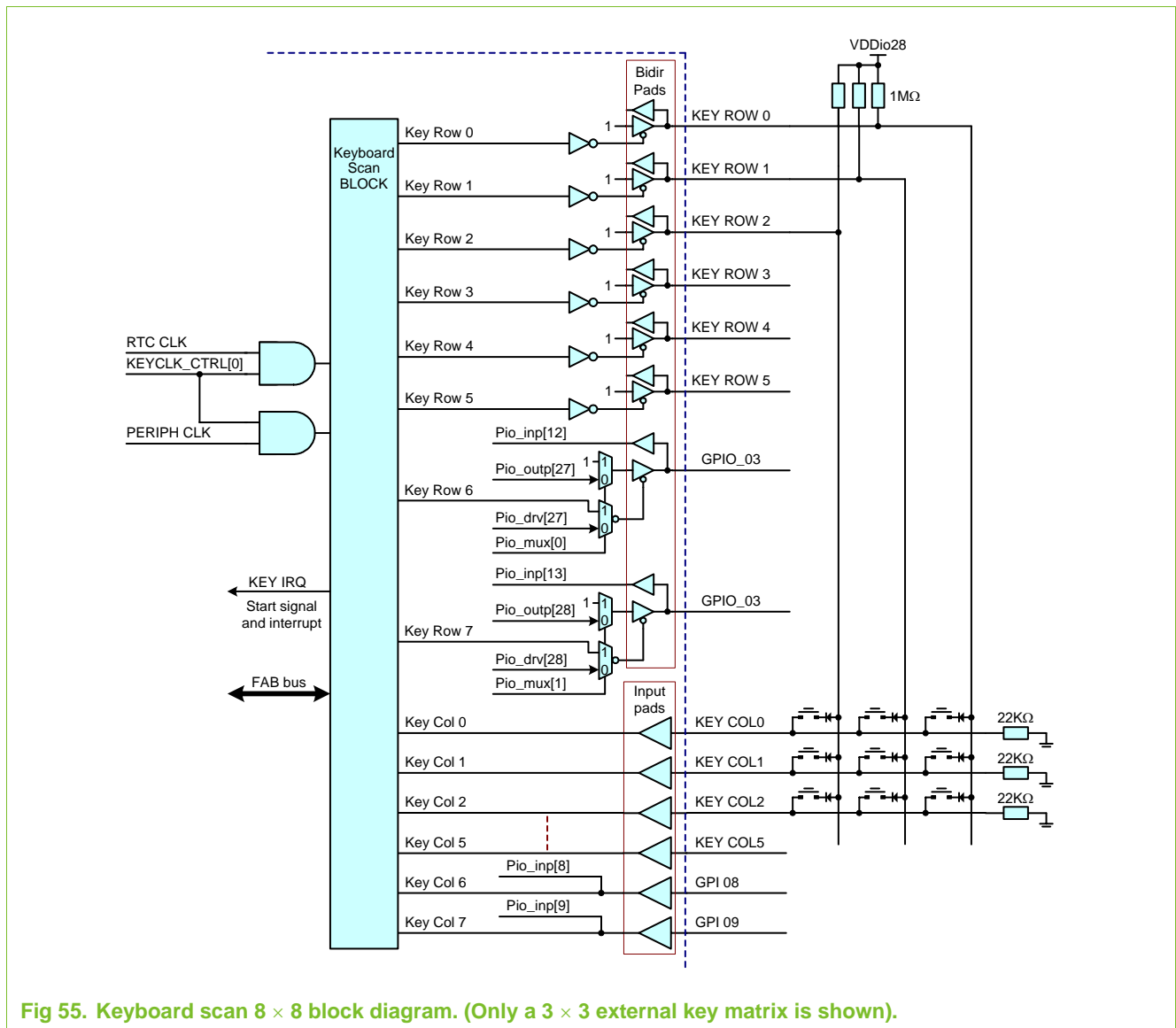


Fig 55. Keyboard scan 8 × 8 block diagram. (Only a 3 × 3 external key matrix is shown).

3. Register description

Table 18–298 shows the registers associated with the Keyboard Scan and a summary of their functions. Following the table are details for each register.

Table 298. Keyboard scan registers

Address	Name	Description	Reset value	Access
0x4005 0000	KS_DEB	Keypad de-bouncing duration register	0x05	R/W
0x4005 0004	KS_STATE_COND	Keypad state machine current state register	0x00	RO
0x4005 0008	KS_IRQ	Keypad interrupt register	0x01	R/W
0x4005 000C	KS_SCAN_CTL	Keypad scan delay control register	0x05	R/W
0x4005 0010	KS_FAST_TST	Keypad scan clock control register	0x02	R/W
0x4005 0014	KS_MATRIX_DIM	Keypad Matrix Dimension select register	0x06	R/W

Table 298. Keyboard scan registers

Address	Name	Description	Reset value	Access
0x4005 0040	KS_DATA0	Keypad data register 0	0x00	RO
0x4005 0044	KS_DATA1	Keypad data register 1	0x00	RO
0x4005 0048	KS_DATA2	Keypad data register 2	0x00	RO
0x4005 004C	KS_DATA3	Keypad data register 3	0x00	RO
0x4005 0050	KS_DATA4	Keypad data register 4	0x00	RO
0x4005 0054	KS_DATA5	Keypad data register 5	0x00	RO
0x4005 0058	KS_DATA6	Keypad data register 6	0x00	RO
0x4005 005C	KS_DATA7	Keypad data register 7	0x00	RO

3.1 Keypad De-bouncing Duration register (KS_DEB, RW - 0x4005 0000)

Table 299. Keypad De-bouncing Duration register (KS_DEB, RW - 0x4005 0000)

Bits	Description	Reset value
7:0	Keypad de-bouncing duration. Number of equal matrix values to be read. 0x02 => Debounce completes after 2 equal matrix values are read 0xFF => Debounce completes after 256 equal matrix values are read	0x5

3.2 Keypad State Machine Current State register (KS_STATE_COND, RO - 0x4005 0004)

Table 300. Keypad State Machine Current State register (KS_STATE_COND, RO - 0x4005 0004)

Bits	Name	Description	Reset value
1:0	STATE	00: Idle 01: Scan Once 10: IRQ generation 11: Scan Matrix	0x0

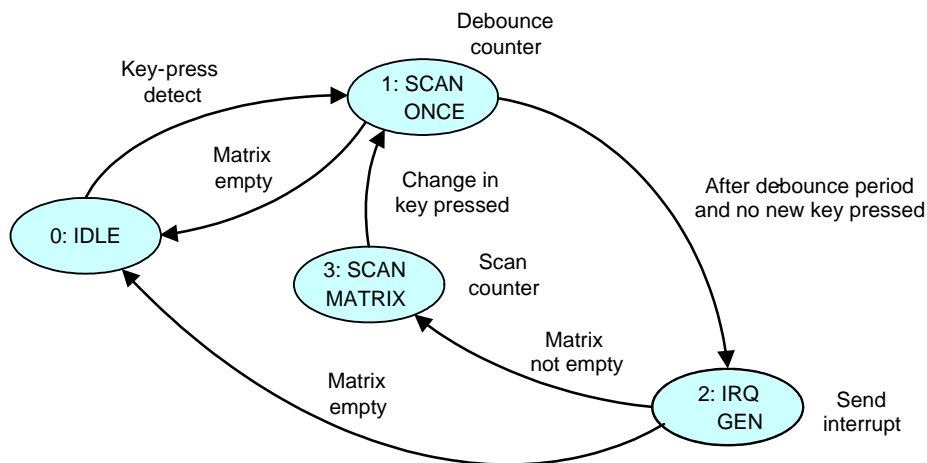


Fig 56. Keyboard scan state diagram

3.3 Keypad Interrupt register (KS_IRQ, RW - 0x4005 0008)

Table 301. Keypad Interrupt register (KS_IRQ, RW - 0x4005 0008)

Bits	Name	Description	Reset value
0	KIRQN	0: Active interrupt: Key pressed or released. Any write access to this register will clear the interrupt. In polling mode, this bit needs to be reset after a key has been pressed. 1: No active interrupt.	0x1

3.4 Keypad Scan Delay Control register (KS_SCAN_CTL, RW - 0x4005 000C)

Table 302. Keypad Scan Delay Control register (KS_SCAN_CTL, RW - 0x4005 000C)

Bits	Name	Description	Reset value
7:0	SCN_CTL	Time between each keypad scan in STATE: 'Scan Matrix'. Time between each scan = $(1 / \text{clock_freq}) \times 32 \times \text{SCN_CTL}$ 32KHz clock source: SCN_CTL = 0x00 => Scan always SCN_CTL = 0x01 => $(1 / 32\text{KHz}) \times 32 \times 1 = 1 \text{ ms}$ (32 clock cycles \times 1) SCN_CTL = 0xFF => $(1 / 32\text{KHz}) \times 32 \times 256 = 250 \text{ ms}$ (32 clock cycles \times 256) (default) 13MHz clock source: SCN_CTL = 0x00 => Scan always SCN_CTL = 0x01 => $(1 / 13\text{MHz}) \times 32 \times 1 = 2,5 \mu\text{S}$ (32 clock cycles \times 1) SCN_CTL = 0xFF => $(1 / 13\text{MHz}) \times 32 \times 256 = 630 \mu\text{S}$ (32 clock cycles \times 256) (default)	0xFF

3.5 Keypad Scan Clock Control register (KS_FAST_TST, RW - 0x4005 0010)

Table 303. Keypad Scan Clock Control register (KS_FAST_TST, RW - 0x4005 0010)

Bits	Description	Reset value
0	0: No forced Jump (default). 1: Jump to STATE: Scan Once.	0
1	0: Use PERIPH_CLK as the clock source. 1: Use the 32 KHz RTC clock as the clock source (default).	1

3.6 Keypad Matrix Dimension Select register (KS_MATRIX_DIM, RW - 0x4005 0014)

Table 304. Keypad Matrix Dimension Select register (KS_MATRIX_DIM, RW - 0x4005 0014)

Bits	Name	Description	Reset value
3:0	MX_DIM	0x01 => 1 x 1 matrix dimension 0x06 => 6 x 6 matrix dimension (default) 0x08 => 8 x 8 matrix dimension (Max)	0x06

3.7 Keypad Data Register 0 (KS_DATA0, RO - 0x4005 0040)

Table 305. Keypad Data Register 0 (KS_DATA0, RO - 0x4005 0040)

Bits	Description	Reset value
7:0	KEY_R0_C<7:0> Image of Column <7:0> on Row 0. Captured on Row 0 'high' 1: Column <7:0> = 'high' (key pressed on Row 0) 0: Column <7:0> = 'low' (no key pressed on Row 0)	0x0

3.8 Keypad Data Register 1 (KS_DATA1, RO - 0x4005 0044)

Table 306. Keypad Data Register 1 (KS_DATA1, RO - 0x4005 0044)

Bits	Description	Reset value
7:0	KEY_R1_C<7:0> Image of Column <7:0> on Row 1. Captured on Row 1 'high' 1: Column <7:0> = 'high' (key pressed on Row 1) 0: Column <7:0> = 'low' (no key pressed on Row 1)	0x0

3.9 Keypad Data Register 2 (KS_DATA2, RO - 0x4005 0048)

Table 307. Keypad Data Register 2 (KS_DATA2, RO - 0x4005 0048)

Bits	Description	Reset value
7:0	KEY_R2_C<7:0> Image of Column <7:0> on Row 2. Captured on Row 2 'high' 1: Column <7:0> = 'high' (key pressed on Row 2) 0: Column <7:0> = 'low' (no key pressed on Row 2)	0x0

3.10 Keypad Data Register 3 (KS_DATA3, RO - 0x4005 004C)

Table 308. Keypad Data Register 3 (KS_DATA3, RO - 0x4005 004C)

Bits	Description	Reset value
7:0	KEY_R3_C<7:0> Image of Column <7:0> on Row 3. Captured on Row 3 'high' 1: Column <7:0> = 'high' (key pressed on Row 3) 0: Column <7:0> = 'low' (no key pressed on Row 3)	0x0

3.11 Keypad Data Register 4 (KS_DATA4, RO - 0x4005 0050)

Table 309. Keypad Data Register 4 (KS_DATA4, RO - 0x4005 0050)

Bits	Description	Reset value
7:0	KEY_R4_C<7:0> Image of Column <7:0> on Row 4. Captured on Row 4 'high' 1: Column <7:0> = 'high' (key pressed on Row 4) 0: Column <7:0> = 'low' (no key pressed on Row 4)	0x0

3.12 Keypad Data Register 5 (KS_DATA5, RO - 0x4005 0054)

Table 310. Keypad Data Register 5 (KS_DATA5, RO - 0x4005 0054)

Bits	Description	Reset value
7:0	KEY_R5_C<7:0> Image of Column <7:0> on Row 5. Captured on Row 5 'high' 1: Column <7:0> = 'high' (key pressed on Row 5) 0: Column <7:0> = 'low' (no key pressed on Row 5)	0x0

3.13 Keypad Data Register 6 (KS_DATA6, RO - 0x4005 0058)

Table 311. Keypad Data Register 6 (KS_DATA6, RO - 0x4005 0058)

Bits	Description	Reset value
7:0	KEY_R6_C<7:0> Image of Column <7:0> on Row 6. Captured on Row 6 'high' 1: Column <7:0> = 'high' (key pressed on Row 6) 0: Column <7:0> = 'low' (no key pressed on Row 6)	0x0

3.14 Keypad Data Register 7 (KS_DATA7, RO - 0x4005 005C)

Table 312. Keypad Data Register 7 (KS_DATA7, RO - 0x4005 005C)

Bits	Description	Reset value
7:0	KEY_R0_C<7:0> Image of Column <7:0> on Row 7. Captured on Row 7 'high' 1: Column <7:0> = 'high' (key pressed on Row 7) 0: Column <7:0> = 'low' (no key pressed on Row 7)	0x0

1. Features

- 32-bit Timer/Counter with programmable 16-bit Prescaler.
- Counter or Timer operation.
- Two 32-bit capture channels which take a snapshot of the timer value when a signal transitions. A capture event may also optionally generate an interrupt.
- Three 32-bit match registers that allow:
 - Continuous operation with optional interrupt generation on match.
 - Stop timer on match with optional interrupt generation.
 - Reset timer on match with optional interrupt generation.
- Pause control to stop counting when core is in debug state.

2. Pin description

Table 313. High speed timer pin description

Pin name	Type	Description
GPI_06 (HSTIM_CAP)	Input	External capture input

3. Description

The high speed timer block is clocked by PERIPH_CLK. The clock is first divided down in a 16 bit programmable prescale counter which clocks a 32 bit Timer/counter. The prescaler is typically set to output a suitable frequency e.g. 1 kHz. There are 3 match registers comparing value against the Timer/counter. A match in one of the match registers can generate an interrupt and the Timer/counter can be set to either continue to run, stop, or be reset. The high speed timer has only one interrupt connected to the main interrupt controller. The timer can be disabled in the TIMCLK_CTRL register. A time-out is typically handled by reading the Timer/counter, adding the number of clocks for the time-out and storing the new value into one of the Match registers. The overflow in the add operation (carry) can be discarded. The high-speed timer/counter also supports debug functionality, by setting the pause_en bit in the Timer control register the counter will not count while the ARM core is in debug state.

The block diagram of the Millisecond timer is shown in [Figure 19–57](#).

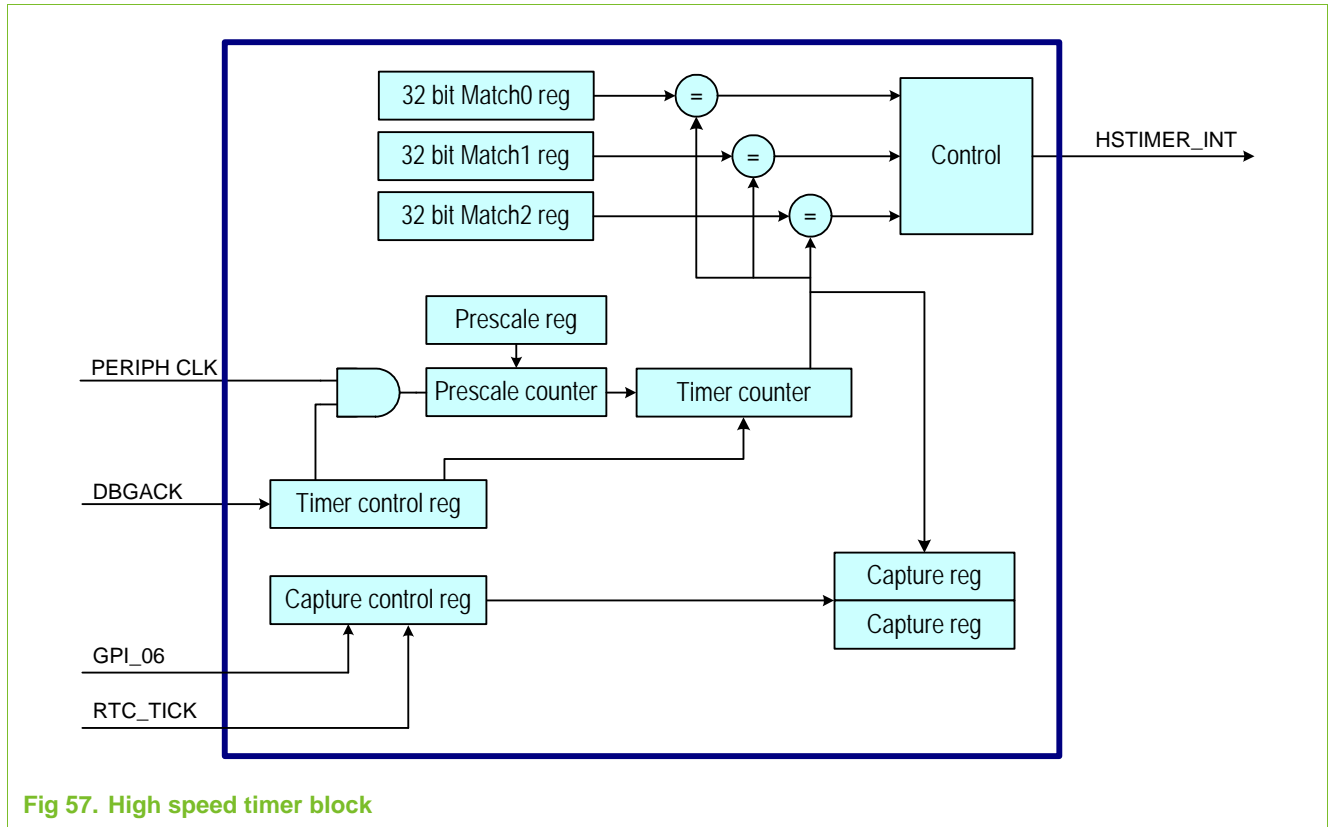


Fig 57. High speed timer block

4. Register description

The High Speed timer includes the registers shown in [Table 19–314](#). Detailed descriptions of the registers follow.

Table 314. High speed timer registers

Address offset	Name	Description	Reset value	Type
0x4003 8000	HSTIM_INT	High Speed timer interrupt status register	0	R/W
0x4003 8004	HSTIM_CTRL	High Speed timer control register	0	R/W
0x4003 8008	HSTIM_COUNTER	High Speed timer counter value register	0	R/W
0x4003 800C	HSTIM_PMATCH	High Speed timer prescale counter match register	0	R/W
0x4003 8010	HSTIM_PCOUNT	High Speed Timer prescale counter value register	0	R/W
0x4003 8014	HSTIM_MCTRL	High Speed timer match control register	0	R/W
0x4003 8018	HSTIM_MATCH0	High Speed timer match 0 register	0	R/W
0x4003 801C	HSTIM_MATCH1	High Speed timer match 1 register	0	R/W
0x4003 8020	HSTIM_MATCH2	High Speed timer match 2 register	0	R/W
0x4003 8028	HSTIM_CCR	High Speed timer capture control register	0	R/W
0x4003 802C	HSTIM_CR0	High Speed timer capture 0 register	0	RO
0x4003 8030	HSTIM_CR1	High Speed timer capture 1 register	0	RO

4.1 High Speed Timer Interrupt Status register (HSTIM_INT, RW - 0x4003 8000)

Table 315. High Speed Timer Interrupt Status register (HSTIM_INT, RW - 0x4003 8000)

Bits	Description	Reset value
7:6	Not used. Write is don't care, Read returns random value.	0
5	RTC_TICK Reading a 1 indicates an active RTC tick capture status. Write 1 to clear this status. Note that this status can not generate an ARM interrupt. The pins can however generate PIO interrupts directly.	0
4	GPI_06 Same description as for bit 5.	0
3	Not used. Write is don't care, Read returns random value	0
2	MATCH2_INT Reading a 1 indicates an active MATCH 2 interrupt. Writing a 1 clears the active interrupt status. Writing 0 has no effect. Note: Remove active match status by writing a new match value before clearing the interrupt. Otherwise this a new match interrupt may be activated immediately after clearing the match interrupt since the match may still be valid.	0x0
1	MATCH1_INT Same description as bit 2	0x0
0	MATCH0_INT Same description as bit 1	0x0

4.2 High Speed Timer Control register (HSTIM_CTRL, RW - 0x4003 8004)

Table 316. High Speed Timer Control register (HSTIM_CTRL, RW - 0x4003 8004)

Bits	Description	Reset value
7:3	Not used. Write is don't care, Read returns random value.	0x0
2	PAUSE_EN (DEBUG_EN) 0 = Timer counter continues to run if ARM enters debug mode. 1 = Timer counter is stopped when the core is in debug mode (DBGACK high).	0
1	RESET_COUNT 0 = Timer counter is not reset. (Default) 1 = Timer counter will be reset on next PERIPH_CLK edge. Software must write this bit back to low to release the reset.	0
0	COUNT_ENAB 0 = Timer Counter is stopped. (Default) 1 = Timer Counter is enabled	

4.3 High Speed Timer Counter Value register (HSTIM_COUNTER, RW - 0x4003 8008)

Table 317. High Speed Timer Counter Value register (HSTIM_COUNTER, RW - 0x4003 8008)

Bits	Description	Reset value
31:0	HSTIM_COUNTER A read reflects the current value of the High Speed Timer counter. A write loads a new value into the Timer counter.	0x0

4.4 High Speed Timer Prescale Counter Match register (HSTIM_PMATCH, RW - 0x4003 800C)

Table 318. High Speed Timer Prescale Counter Match register (HSTIM_PMATCH, RW - 0x4003 800C)

Bits	Description	Reset value
31:16	Not used. Write is don't care, Read returns random value.	0
15:0	PMATCH Holds the current match value for the prescale counter. The timer counter will be incremented every PMATCH+1 cycles of PERIPH_CLK. For example: Set the PMATCH value to 1299 (decimal) in order to increment the Timer Counter every 100 ms.	0x0

4.5 High Speed Timer Prescale Counter register (HSTIM_PCOUNT, RW - 0x4003 8010)

Table 319. High Speed Timer Prescale Counter register (HSTIM_PCOUNT, RW - 0x4003 8010)

Bits	Description	Reset value
31:16	Not used. Write is don't care, Read returns random value.	0
15:0	HSTIM_PCOUNT A read reflects the current value of the Prescale Counter. A write loads a new value into the counter.	0x0

4.6 High Speed Timer Match Control register (HSTIM_MCTRL, RW - 0x4003 8014)

Table 320. High Speed Timer Match Control register (HSTIM_MCTRL, RW - 0x4003 8014)

Bits	Description	Reset value
15:9	Not used. Write is don't care, Read returns random value.	0
8	STOP_COUNT2 0 = Disable the stop functionality on Match 2. (Default) 1 = Enable the Timer Counter to be stopped on Match 2.	0
7	RESET_COUNT2 0 = Disable reset of Timer Counter on Match 2. (Default) 1 = Enable reset of Timer Counter on Match 2.	0
6	MR2_INT 0 = Disable interrupt on the Match 2 register. (Default) 1 = Enable internal interrupt status generation on the Match 2 register	0
5	STOP_COUNT1 0 = Disable the stop functionality on Match 1. (Default) 1 = Enable the Timer Counter to be stopped on Match 1.	0
4	RESET_COUNT1 0 = Disable reset of Timer Counter on Match 1. (Default) 1 = Enable reset of Timer Counter on Match 1	0

Table 320. High Speed Timer Match Control register (HSTIM_MCTRL, RW - 0x4003 8014) ...continued

Bits	Description	Reset value
3	MR1_INT 0 = Disable interrupt on the Match 1 register. (Default) 1 = Enable internal interrupt status generation on the Match 1 register	0
2	STOP_COUNT0 0 = Disable the stop functionality on Match 0. (Default) 1 = Enable the Timer Counter to be stopped on Match 0.	0
1	RESET_COUNT0 0 = Disable reset of Timer Counter on Match 0. (Default) 1 = Enable reset of Timer Counter on Match 0	0
0	MRO_INT 0 = Disable interrupt on the Match 0 register. (Default) 1 = Enable internal interrupt status generation on the Match 0 register	0

4.7 High Speed Timer Match 0 register (HSTIM_MATCH0, RW - 0x4003 8018)

Table 321. High Speed Timer Match 0 register (HSTIM_MATCH0, RW - 0x4003 8018)

Bits	Description	Reset value
31:0	MATCH0 Holds the match values for the Timer Counter. Accesses to this register have no other effect than reading the current register value or loading a new value.	0

4.8 High Speed Timer Match 1 register (HSTIM_MATCH1, RW - 0x4003 801C)

Table 322. High Speed Timer Match 1 register (HSTIM_MATCH1, RW - 0x4003 801C)

Bits	Description	Reset value
31:0	MATCH1 Holds the match values for the Timer Counter. Accesses to this register have no other effect than reading the current register value or loading a new value.	0

4.9 High Speed Timer Match 2 register (HSTIM_MATCH2, RW - 0x4003 8020)

Table 323. High Speed Timer Match 2 register (HSTIM_MATCH2, RW - 0x4003 8020)

Bits	Description	Reset value
31:0	MATCH2 Holds the match values for the Timer Counter. Accesses to this register have no other effect than reading the current register value or loading a new value.	0

4.10 High Speed Timer Capture Control Register (HSTIM_CCR, RW - 0x4003 8028)

Table 324. High Speed Timer Capture Control Register (HSTIM_CCR, RW - 0x4003 8028)

Bits	Description	Reset value
15:6	Not used. Write is don't care, Read returns random value.	0
5	RTC_TICK_EVENT If this bit is set, an interrupt status will be set in the HSTIM_INT register on a capture.	0
4	RTC_TICK_FALL If this bit is set, the timer counter will be loaded into the CR1 if a falling edge is detected on RTC_TICK.	0
3	RTC_TICK_RISE If this bit is set, the timer counter will be loaded into the CR1 if a rising edge is detected on RTC_TICK.	0
2	GPI_06 If this bit is set, an interrupt status will be set in the HSTIM_INT register on a capture.	0
1	GPI_06 If this bit is set, the timer counter will be loaded into the CR0 if a falling edge is detected on GPI_06.	0
0	GPI_06 If this bit is set, the timer counter will be loaded into the CR0 if a rising edge is detected on GPI_06	0

Remark: Selecting both falling and rising edge on a capture signal is valid.

4.11 High Speed Timer Capture 0 Register (HSTIM_CR0, RO - 0x4003 802C)

Table 325. High Speed Timer Capture 0 Register (HSTIM_CR0, RO - 0x4003 802C)

Bits	Description	Reset value
31:0	CAPT_VALUE Holds the captured value from the Timer Counter when rise or fall event happens on GPI_06.	0

4.12 High Speed Timer Capture 1 Register (HSTIM_CR1, RO - 0x4003 8030)

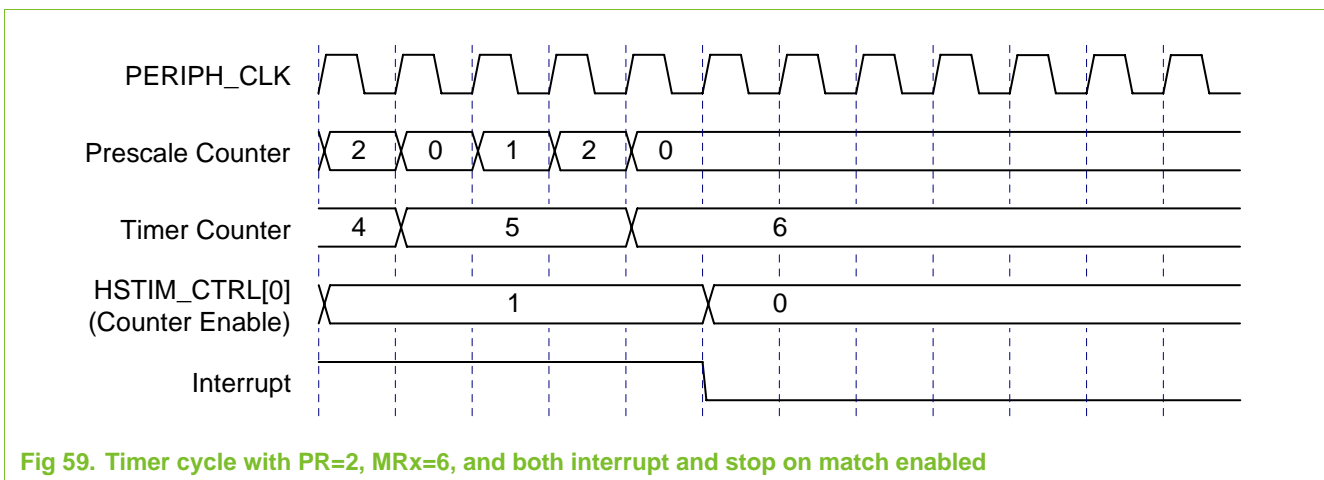
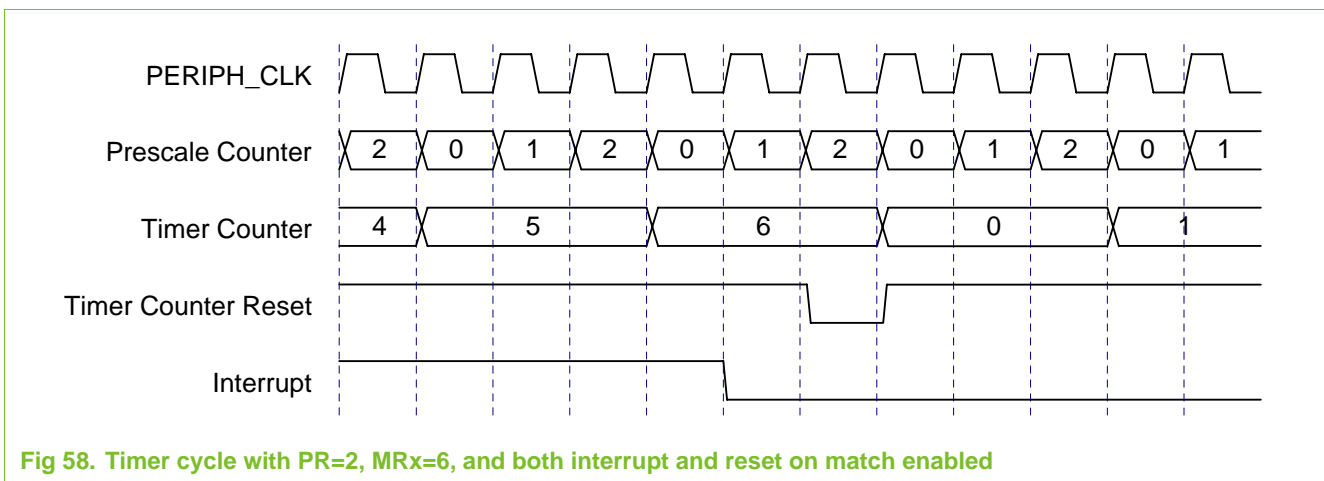
Table 326. High Speed Timer Capture 1 Register (HSTIM_CR1, RO - 0x4003 8030)

Bits	Description	Reset value
31:0	CAPT_VALUE Holds the captured value from the Timer Counter when rise or fall event happens on RTC_TICK.	0

5. Examples of timer operation

Figure 19–58 shows a timer configured to reset the count and generate an interrupt on match. The prescaler is set to 2 and the match register set to 6. At the end of the timer cycle where the match occurs, the timer count is reset. This gives a full length cycle to the match value. The interrupt indicating that a match occurred is generated in the next clock after the timer reached the match value.

Figure 19–59 shows a timer configured to stop and generate an interrupt on match. The prescaler is again set to 2 and the match register set to 6. In the next clock after the timer reaches the match value, the timer enable bit in TCR is cleared, and the interrupt indicating that a match occurred is generated.



1. Features

- 32-bit Timer/Counters.
- Counter or Timer operation.
- Two 32-bit match registers that allow:
 - Continuous operation with optional interrupt generation on match.
 - Stop timer on match with optional interrupt generation.
 - Reset timer on match with optional interrupt generation.
- Pause control to stop counting when core is in debug state.

2. Description

The Millisecond timer is clocked by the 32 kHz RTC clock. The registers are accessed on a different clock domain while the counter is counting on. This solution speeds up accesses to the Millisecond timer. Reads and writes to registers in the Millisecond timer are clocked by the HCLK. It takes a maximum of three HCLK before the writes are performed to the register.

There are two match registers comparing values against the Timer/counter. A match on one of the match registers can generate an interrupt and the Timer/counter can be set to either continue to run, stop, or be reset. The Millisecond timer has one interrupt connected to the main interrupt controller. The timer can be disabled in the MSTIM_CTRL register. A time-out is typically handled by reading the Timer/counter, adding the number of clocks for the time-out and storing the new value into one of the Match registers. The overflow in the add operation (carry) can be discarded. The millisecond timer also supports debug functionality: By setting the pause_en bit in the Timer/control register the counter will not count while the ARM core is in debug state.

The block diagram of the millisecond timer is shown below.

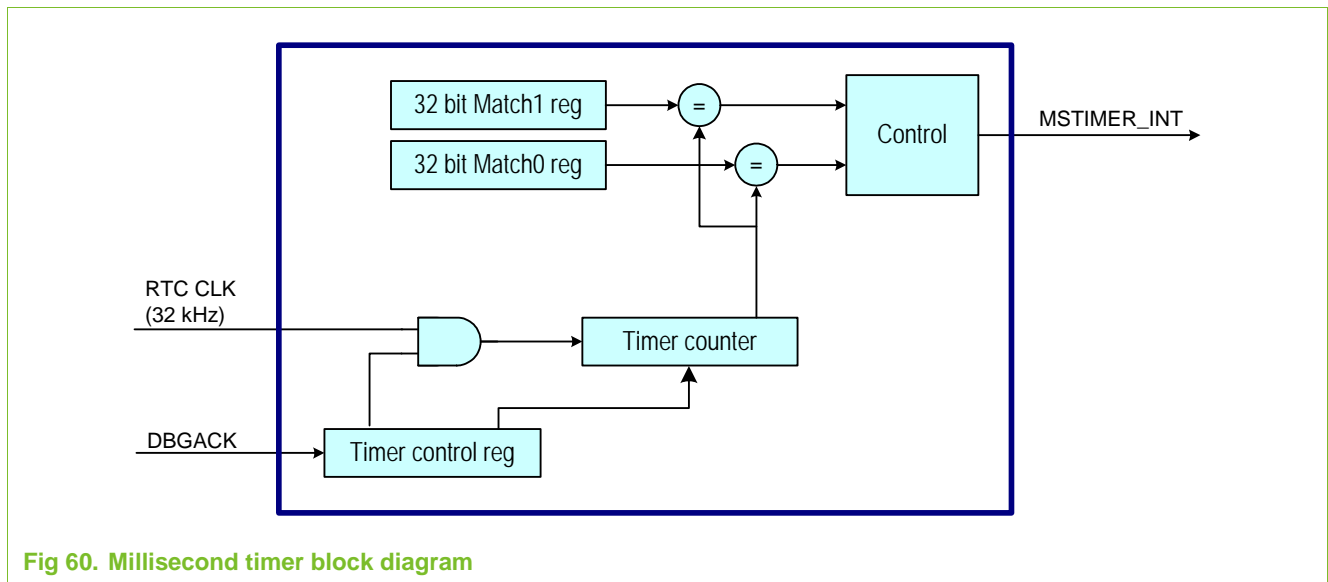


Fig 60. Millisecond timer block diagram

3. Register description

The Millisecond timer includes the registers shown in [Table 20–327](#). Detailed descriptions of the registers follow.

Table 327. Millisecond timer registers

Address offset	Name	Description	Reset value	Type
0x4003 4000	MSTIM_INT	Millisecond timer interrupt status register	0	R/W
0x4003 4004	MSTIM_CTRL	Millisecond timer control register	0	R/W
0x4003 4008	MSTIM_COUNTER	Millisecond timer counter value register	0	R/W
0x4003 4014	MSTIM_MCTRL	Millisecond timer match control register	0	R/W
0x4003 4018	MSTIM_MATCH0	Millisecond timer match 0 register	0	R/W
0x4003 401C	MSTIM_MATCH1	Millisecond timer match 1 register	0	R/W

3.1 Millisecond Timer Interrupt Status register (MSTIM_INT, RW - 0x4003 4000)

Table 328. Millisecond Timer Interrupt Status register (MSTIM_INT, RW - 0x4003 4000)

Bits	Description	Reset value
7:2	Not used. Write is don't care, Read returns random value.	0
1	MATCH1_INT: Reading a 1 indicates an active MATCH 1 interrupt. Writing a 1 clears the active interrupt status. Writing 0 has no effect. Note: Remove active match status by writing a new match value before clearing the interrupt. Otherwise this a new match interrupt may be activated immediately after clearing the match interrupt since the match may still be valid.	0x0
0	MATCH0_INT See MATCH1_INT.	0x0

3.2 Millisecond Timer Control register (MSTIM_CTRL, RW - 0x4003 4004)

Table 329. Millisecond Timer Control register (MSTIM_CTRL, RW - 0x4003 4004)

Bits	Description	Reset value
7:3	Not used. Write is don't care, Read returns random value.	0x0
2	PAUSE_EN (DEBUG_EN) 0 = Timer counter continues to run if ARM enters debug mode. 1 = Timer counter is stopped when the core is in debug mode (DBGACK high).	0
1	RESET_COUNT 0 = Timer counter is not reset. (Default) 1 = Timer counter will be reset on next PERIPH_CLK edge. Software must write this bit back to low to release the reset.	0
0	COUNT_ENAB 0 = Timer Counter is stopped. (Default) 1 = Timer Counter is enabled	

3.3 Millisecond Timer Counter Value register (MSTIM_COUNTER, RW - 0x4003 4008)

Table 330. Millisecond Timer Counter Value register (MSTIM_COUNTER, RW - 0x4003 4008)

Bits	Description	Reset value
31:0	MSTIM_COUNTER A read reflects the current value of the Millisecond Timer counter. A write loads a new value into the Timer counter.	0x0

3.4 Millisecond Timer Match Control register (MSTIM_MCTRL, RW - 0x4003 4014)

Table 331. Millisecond Timer Match Control register (MSTIM_MCTRL, RW - 0x4003 4014)

Bits	Description	Reset value
15:6	Not used. Write is don't care, Read returns random value.	0
5	STOP_COUNT1 0 = Disable the stop functionality on Match 1. (Default) 1 = Enable the Timer Counter to be stopped on Match 1.	0
4	RESET_COUNT1 0 = Disable reset of Timer Counter on Match 1. (Default) 1 = Enable reset of Timer Counter on Match 1	0
3	MR1_INT 0 = Disable interrupt on the Match 1 register. (Default) 1 = Enable internal interrupt status generation on the Match 1 register	0

Table 331. Millisecond Timer Match Control register (MSTIM_MCTRL, RW - 0x4003 4014) ...continued

Bits	Description	Reset value
2	STOP_COUNT0 0 = Disable the stop functionality on Match 0. (Default) 1 = Enable the Timer Counter to be stopped on Match 0.	0
1	RESET_COUNT0 0 = Disable reset of Timer Counter on Match 0. (Default) 1 = Enable reset of Timer Counter on Match 0	0
0	MR0_INT 0 = Disable interrupt on the Match 0 register. (Default) 1 = Enable internal interrupt status generation on the Match 0 register	0

3.5 Millisecond Timer Match 0 register (MSTIM_MATCH0, RW - 0x4003 4018)

Table 332. Millisecond Timer Match 0 register (MSTIM_MATCH0, RW - 0x4003 4018)

Bits	Description	Reset value
31:0	MATCH0 Holds the match values for the Timer Counter. Accesses to this register have no other effect than reading the current register value or loading a new value. Note: The match interrupt is generated at the end of the matching 32 kHz cycle. The delay will subsequently be up to one cycle longer than MATCH - COUNTER indicates.	0

3.6 Millisecond Timer Match 1 register (MSTIM_MATCH1, RW - 0x4003 401C)

Table 333. Millisecond Timer Match 1 register (MSTIM_MATCH1, RW - 0x4003 401C)

Bits	Description	Reset value
31:0	MATCH1 Holds the match value for the Timer Counter. Accesses to this register have no other effect than reading the current register value or loading a new value. Note: The match interrupt is generated at the end of the matching 32 kHz cycle. The delay will subsequently be up to one cycle longer than MATCH - COUNTER indicates.	0

1. Features

- PERIPH_CLK or 32KHz clock source option.
- Programmable 4-bit Prescaler.
- Programmable duty cycle in 255 steps.
- PWM_OUT2 pin can be programmed to output the internal interrupt status (nIRQ or nFIQ).

2. Description

There are two free running Pulse Width Modulators (PWM1 and PWM2) located on the FAB bus. They are clocked separately with either PERIPH_CLK or the 32 kHz RTC clock. Note that PERIPH_CLK is stopped and the 32 kHz clock is not stopped in the microcontroller's STOP mode. If the PWMs are not used, the PWM1_CLK and PWM2_CLK can be switched off by programming the PWMCLK_CTRL register. See [Table 21–334](#) for examples of PWM frequencies:

Table 334. PWM frequencies

Clock Source	Freq. div.	PWM_CLK frequency	PWM_RELOADV	PWM_OUT pin frequency
13 MHz	1 (min)	13 MHz	1 (min)	50 kHz (max)
	1 (min)	13 MHz	256 (max)	198 Hz
	15 (max)	866.7 kHz	256 (max)	13.2 Hz (min)
32 kHz	1 (min)	32 kHz	1 (min)	128 Hz (max)
	1 (min)	32 kHz	256 (max)	0.5 Hz
	15 (max)	2.18 kHz	256 (max)	0.033 Hz (min)

Both PWMs have a programmable duty cycle in 255 steps.

The outputs from PWM1 and PWM2 are connected to the external output pins PWM_OUT1 and PWM_OUT2. When a PWM is disabled, the corresponding output pin will resume the logic state set by the PWM_PIN_LEVEL bit in the control register.

The PWM_OUT2 pin can be programmed to output the internal interrupt status (nIRQ or nFIQ).

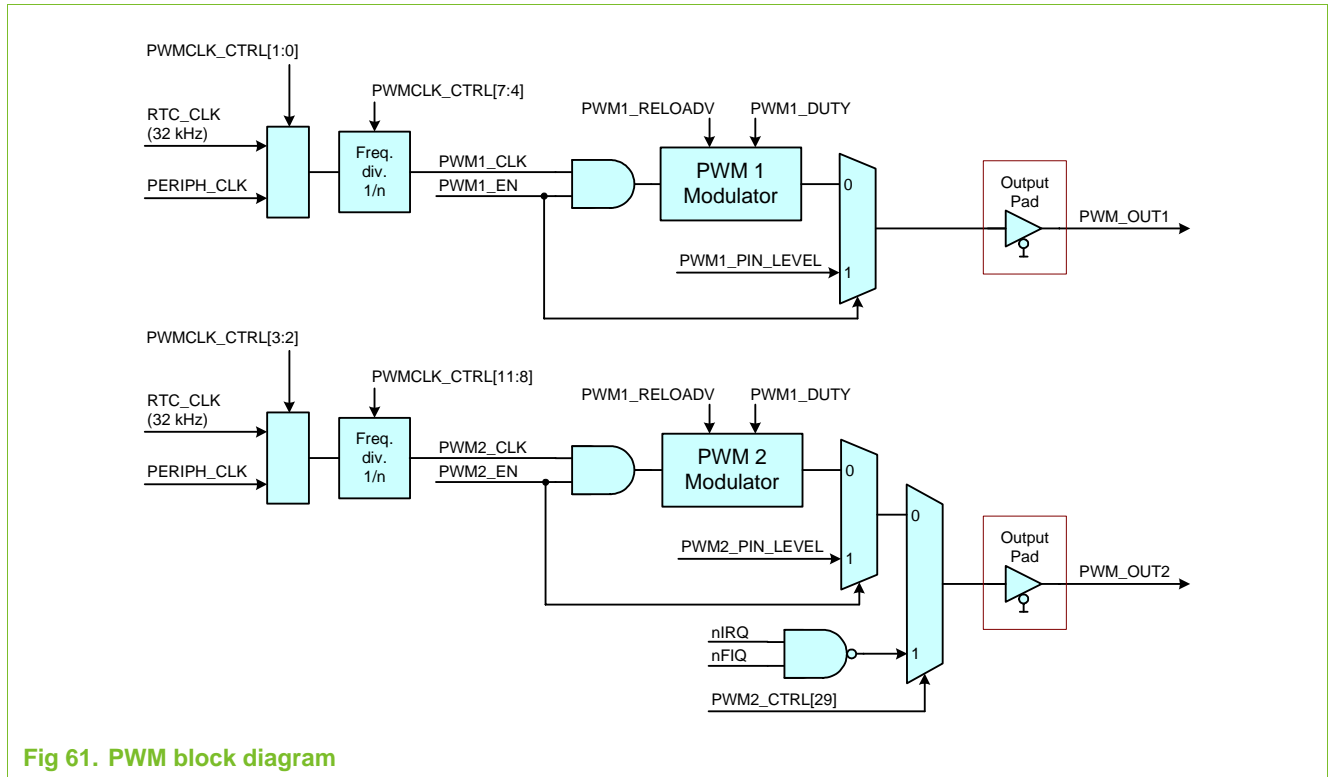


Fig 61. PWM block diagram

3. Register description

Table 21–335 shows the registers of PWM0 and PWM1.

Table 335. Pulse Width Modulator register map

Address offset	Name	Description	Reset value	Type
0x4005 C000	PWM1_CTRL	PWM1 Control register.	0x0	R/W
0x4005 C004	PWM2_CTRL	PWM2 Control register.	0x0	R/W

3.1 PWM1 Control Register (PWM1_CTRL, RW - 0x4005 C000)

Table 336. PWM1 Control Register (PWM1_CTRL, RW - 0x4005 C000)

Bits	Description	Reset value
31	PWM1_EN This bit gates the PWM_CLK signal and enables the external output pin to the PWM_PIN_STATE logical level. 0 = PWM disabled. (Default) 1 = PWM enabled.	0
30	PWM1_PIN_LEVEL If the PWM1_EN bit is set to 0, the PWM_OUT1 pin is set to the PWM1_PIN_LEVEL logical state. (Default = 0)	0

Table 336. PWM1 Control Register (PWM1_CTRL, RW - 0x4005 C000) ...continued

Bits	Description	Reset value
29:16	Not used Write is don't care, Read returns random value.	0
15:8	PWM1_RELOADV Reload value for the PWM output frequency. $F_{out} = (PWM_CLK / PWM_RELOADV) / 256$. A value of 0 is treated as 256. (Default = 0)	0x0
7:0	PWM1_DUTY Adjusts the output duty cycle. $[Low]/[High] = [PWM_DUTY] / [256-PWM_DUTY]$, where $0 < PWM_DUTY \leq 255$. (Default = 0)	0x0

3.2 PWM2 Control Register (PWM2_CTRL, RW - 0x4005 C004)

Table 337. PWM2 Control Register (PWM2_CTRL, RW - 0x4005 C004)

Bits	Description	Reset value
31	PWM2_EN This bit gates the PWM_CLK signal and enables the external output pin to the PWM_PIN_STATE logical level. 0 = PWM disabled. (Default) 1 = PWM enabled.	0
30	PWM2_PIN_LEVEL If the PWM1_EN bit is set to 0, the PWM_OUT1 pin is set to the PWM1_PIN_LEVEL logical state. (Default = 0)	0
29	PWM2_INT 0 = Normal PWM_OUT2 functionality 1 = PWM_OUT2 outputs the internal interrupt status. A low level means that neither nIRQ or nFIQ is active. $PWM_OUT2 = nIRQ \text{ 'NAND' } nFIQ$.	0
28:16	Not used Write is don't care, Read returns random value.	0
15:8	PWM2_RELOADV Reload value for the PWM output frequency. $F_{out} = (PWM_CLK / PWM_RELOADV) / 256$ (A value of 0 is treated as 256) Default = 0	0x0
7:0	PWM2_DUTY Adjusts the output duty cycle. $[Low]/[High] = [PWM_DUTY] / [256-PWM_DUTY]$, where $0 < PWM_DUTY \leq 255$. (Default = 0)	0x0

1. Features

- Measures the passage of time in seconds.
- 32 bit up and down seconds counter
- Ultra Low Power design to support battery powered systems.
- Dedicated 32 KHz oscillator.
- Dedicated power supply pins can be connected to a battery or 1.2 V power supply.
- An ONSW output pin is included to assist in waking up when the chip has had power removed to all functions except the RTC and Battery RAM.
- Two 32 bit match registers with interrupt option.
- 128 bytes of very low voltage static RAM.
- RTC and Battery RAM power supply is isolated from the rest of the chip.

2. Description

2.1 RTC counter

The RTC is running at 32768 Hz using a very low power oscillator. The main purpose of the RTC is to clock the RTC Timers and to generate alarm interrupts which also can power up the device. The RTCCLK can also clock the 397x PLL, the Millisecond Timer, the A/D converter, the Keyboard Scanner, and the PWMs. The 32 bit RTC counters run continuously at 1 Hz and are never reset provided that the RTC has power. The RTC up-counter value represents a number of seconds elapsed since second 0, which is an application determined time. The RTC counter will reach maximum value after about 136 years. The RTC down-counter is initiated with all 1's. Software may use this timer to verify that the RTC block contains valid information. The two timers will have the same date and time, but using different algorithms for the mapping.

The suggested rule for verifying the RTC information is: Use sum of the counters equal to 0xFFFF FFFE which is different from the default values. If software finds that the two timers maps to different dates or times, the RTC should be reset by writing the RTC_CTRL[4] high and low. When the 1 Hz clock is running, the up/down counters should be stopped when writing to the counters. This will ensure that there are no clock edges during the writes. All RTC registers should be validated by software at boot time, if possible. Invalid RTC values can occur if the VDD_RTC has dropped below the minimum value.

The two 32 bit Match registers are readable and writable by the processor, and a match will result in an active interrupt provided that the interrupt is enabled in the Interrupt register. A match is true when the RTC up counter holds a value equal to the match register. Interrupts are by default disabled. In order to prevent an active RTC_ONSW signal when the RTC is powered up, the signal is gated with a pattern checker. If the RTC_KEY register does not contain the correct value, the RTC_ONSW signal will be

stopped from propagating onto the ONSW pin. The ONSW pin will only be driven as long as the match is active. After 1s with active match and the software has not accessed the RTC block, the ONSW pin will go low when the match is no longer active.

The RTC block resides in a separate voltage domain. The block is supplied via a separate supply pin with power either from the battery or a regulator. The RTC block will always be powered by a nominal voltage when there is any activity on the signals going to other blocks. This means that any ARM accesses to registers or SRAM will only take place when nominal voltage is present. No accesses are allowed to the RTC in the 0.9 V VddCore mode. However, the RTC oscillator and counter still have to work down to the minimum voltage. Also, the contents of the SRAM and all registers/ latches etc. must be preserved down to the minimum voltage.

Note that the RTC Timer registers are not reset by the device reset signal issued at power up. (Except for bits RTC_CTRL[7:4]). There are no register values that are set to default when the RTC voltage drops below the minimum value. This means that the default values shown in the register descriptions are valid only after the ARM core has written the RTC_CTRL[4] bit high in order to issue a hardware reset to the RTC block.

2.2 RTC SRAM

The RTC block also contains 32 words of very low voltage SRAM. This SRAM is able to hold its contents down to the minimum RTC operating voltage. Note that there will be no ARM accesses as long as the voltage is below normal operating conditions. The SRAM is accessible in 32-bit word only. The software should keep an inverted checksum in the SRAM for content validation. (Inverted to avoid a good checksum if all cells are zero). Care must be taken by software to not access this RAM too often in order to keep the average RTC current low enough.

2.3 RTC ONSW output

The ONSW output pin can be used to trigger the external power supply to turn on all the operating voltages. The source for the ONSW pin is an RTC-match event. The ONSW output goes to a positive-edge triggered power device. It is important that another external source does not hold an active high ONSW for an indefinite time. The RTC-alarm is by nature a 1s pulse. During power-up of any voltage domain, there will be no false pulses on the ONSW pin.

An RTC match can drive the ONSW pin active (high) for as long as the match lasts (1s). This may be disabled by the ONSW control register. The match status is latched so that software can find the source which generated the match and ONSW pulse even after the match has finished. The ONSW match latch is cleared by writing a 1 to RTC_INSTAT[2]. The ONSW pin can also be driven active directly by software. Software can also drive the ONSW pin high by writing a 1 to the RTC_CTRL[7] register bit provided that the RTC_KEY is correctly initiated.

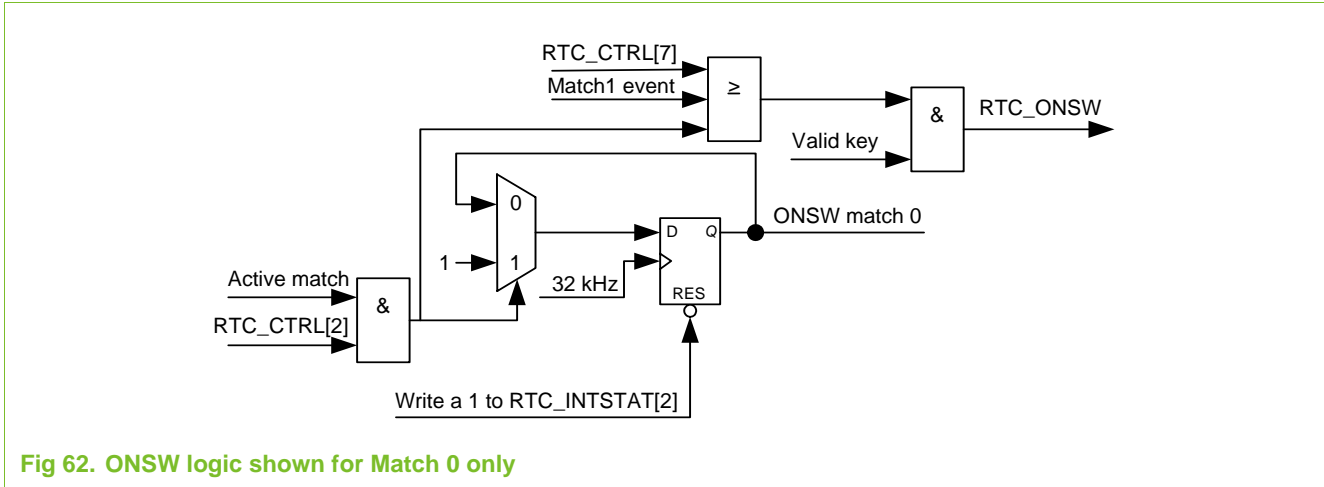


Fig 62. ONSW logic shown for Match 0 only

2.4 RTC oscillator

The crystal for the RTC is connected as shown in [Figure 22–63](#). Capacitors are also required, as shown. Capacitor values may be found in [Table 22–338](#). Values in the table do not take package capacitance into account.

Table 338. Recommended values for the RTC external 32 kHz oscillator C_{X1/X2} components

Crystal load capacitance	Maximum crystal series resistance R _S	External load capacitors
11 pF	< 100 kΩ	18 pF
13 pF	< 100 kΩ	22 pF
15 pF	< 100 kΩ	27 pF

Note: The RTC registers take their default value after a software reset in RTC_CTRL[4]. There is no power-on reset signal to this block except RTC_CTRL register.

4.1 RTC Up Counter Value register (RTC_UCOUNT, RW - 0x4002 4000)

Table 340. RTC Up Counter Value register (RTC_UCOUNT, RW - 0x4002 4000)

Bits	Description	Reset value
31:0	A read reflects the current value of the RTC counter. A write loads a new value into the RTC counter. The counter value should never be written except when setting the correct time and date. The counter expires after about 136 years and has 1s resolution. The counter must be stopped (RTC_CTRL[6] = 1) when writing to this register. In order to read back the value just written, there must be minimum a 32 kHz clock period time delay since the write was done.	0x0

4.2 RTC Down Counter Value register (RTC_DCOUNT, RW - 0x4002 4004)

Table 341. RTC Down Counter Value register (RTC_DCOUNT, RW - 0x4002 4004)

Bits	Description	Reset value
31:0	A read reflects the current value of the RTC counter. A write loads a new value into the RTC counter. The counter value should never be written except when setting the correct time and date. The counter expires after about 136 years and has 1s resolution. The counter must be stopped (RTC_CTRL[6] = 1) when writing to this register. In order to read back the value just written, there must be minimum a 32 kHz clock period time delay since the write was done.	0x0

4.3 RTC Match 0 register (RTC_MATCH0, RW - 0x4002 4008)

Table 342. RTC Match 0 register (RTC_MATCH0, RW - 0x4002 4008)

Bits	Description	Reset value
31:0	Holds the current match value for RTC timer 0. Writing to this register with a different value than the RTC_UCOUNT holds, will set the match status inactive. Interrupt on a match can be enabled in the RTC_INT register. A match can also drive the ONSW pin active, powering on the microcontroller. This is controlled in the RTC_CTRL register. A match event can only happen on the 1 Hz edge. When setting up a match asynchronously to the RTC tick, the match will occur within a +/- 0.5s of the specified setting.	0x0

4.4 RTC Match 1 Register (RTC_MATCH1, RW - 0x4002 400C)

Table 343. RTC Match 1 Register (RTC_MATCH1, RW - 0x4002 400C)

Bits	Description	Reset value
31:0	Holds the current match value for RTC timer 1. See the description for RTC_MATCH0 register.	0x0

4.5 RTC Control register (RTC_CTRL, RW - 0x4002 4010)

Table 344. RTC Control register (RTC_CTRL, RW - 0x4002 4010)

Bits	Description	Reset value
31:11	Not used. Write is don't care, Read returns random value.	-
10	Read only: Output from the 32 kHz oscillator. A read returns the current level of the RTC_CLK.	-
8:9	Not used. Write is don't care, Read returns random value.	-
7	RTC force ONSW ^[1] 0 = Do not force the ONSW signal. (Default). See Note below. 1 = Force ONSW high	0
6	RTC counter clock disable ^[1] 0 = up/down counters running. (Default) See Note below. 1 = 1 Hz clock stopped. Used when writing to the counters.	0
5	Not used. Write is don't care, Read returns random value.	-
4	Software controlled RTC reset ^[1] 0 = RTC running. (Default) See Note below. 1 = RTC in hardware reset. Resets all registers to default value. Note that software must write first 1, then 0. Do not attempt to set any bits in this register at the same time as releasing the reset.	0
3	Match 1 ONSW control. 0 = Match 1 is disabled from driving the ONSW pin. (Default) 1 = Match 1 will drive the ONSW pin active in 1s on a match as long as the RTC_KEY is correct.	0
2	Match 0 ONSW control. 0 = Match 0 is disabled from driving the ONSW pin. (Default) 1 = Match 0 will drive the ONSW pin active in 1s on a match as long as the RTC_KEY is correct.	0
1	Match 1 interrupt enable bit. Note that an active Match interrupt status and RTC_IRQ may still be set after writing 0 to this bit. The RTC_INTSTAT register also need clearing after setting this bit to 0. 0 = interrupt disabled (default) 1 = interrupt enabled	0
0	Match 0 interrupt enable bit. Note that an active Match interrupt status and RTC_IRQ may still be set after writing 0 to this bit. The RTC_INTSTAT register also need clearing after setting this bit to 0. 0 = interrupt disabled (default) 1 = interrupt enabled	0

[1] Note: RTC_CTRL[7:4] is reset to 0 on an active RESET_N (Device reset). These are the only register bits in the RTC block that will be reset by the device reset. The reset of the RTC is reset by RTC_CTRL[4] which is software controlled.

4.6 RTC Interrupt Status Register (RTC_INTSTAT, RW - 0x4002 4014)

Table 345. RTC Interrupt Status Register (RTC_INTSTAT, RW - 0x4002 4014)

Bits	Description	Reset value
31:3	Not used. Write is don't care, Read returns random value.	0x0
2	ONSW Match status Reading a 1 indicates that the ONSW latch is set from a match event. If the match is no longer active, the ONSW pin will be driven low. Writing a 1 clears the latch and ONSW will not be driven active. Writing 0 has no effect.	0
1	Match 1 interrupt status Reading a 1 indicates an active MATCH 1 interrupt. Writing a 1 clears the active interrupt status. Writing 0 has no effect. Always remove the active match condition by writing a new value to the RTC_MATCH1 register before clearing this status.	0
0	Match 0 interrupt status Reading a 1 indicates an active MATCH 0 interrupt. Writing a 1 clears the active interrupt status. Writing 0 has no effect. Always remove the active match condition by writing a new value to the RTC_MATCH0 register before clearing this status.	0

4.7 RTC Key Register (RTC_KEY, RW - 0x4002 4018)

Table 346. RTC Key Register (RTC_KEY, RW - 0x4002 4018)

Bits	Description	Reset value
31:0	The software must write the value 0xB5C13F27 into this register before the RTC_ONSW signal can pass onto the ONSW pin. The correct value is checked by logic in the RTC block.	0x0

4.8 Battery RAM (RTC_SRAM, RW - 0x4002 4080 - 40FF)

Table 347. Battery RAM (RTC_SRAM, RW - 0x4002 4080 - 40FF)

Bits	Description	Reset value
31:0	32 words of General purpose SRAM. This RAM can be treated as nonvolatile memory as long as the RTC block has valid supply voltage. See start of this chapter how to verify a valid RTC content after power up. The SRAM can only be accessed as 32 bit words. (No byte or halfword access is supported). Software needs to be careful how often this RAM is accessed because there is a maximum power consumption restriction on the external RTC power supply.	0x0

1. Features

- Internally resets chip if not periodically reloaded.
- Flag to indicate Watchdog reset.
- Programmable 32-bit timer.
- Can be used as a standard timer if watchdog is not used.
- Pause control to stop counting when core is in debug state.
- Programmable watchdog pulse output on RESOUT_N pin.

2. Description

The watchdog timer block is clocked by PERIPH_CLK, which clocks a 32 bit counter. The clock to the watchdog can be stopped with the TIM_CTRL register. There is one match register comparing value against the Timer counter. When configured for watchdog functionality, a match in the match register drives the match output low. The match output is gated with the enable signal from WDTIM_MCTRL[4:3]. This gives the opportunity to generate two types of reset signals, WDOG_RESET1_N that only resets the chip internally, and WDOG_RESET2 that goes through a programmable pulse generator before it goes to the external pin RESOUT_N and to the internal chip reset.

The watchdog timer can be used as a standard high speed timer when not used as watchdog. It also supports interrupt and debug functionality: Setting the pause_en bit in the WDTIM_CTRL register ensures that the counter will not count while the core is in debug state.

The block diagram of the watchdog is shown in [Figure 23–64](#).

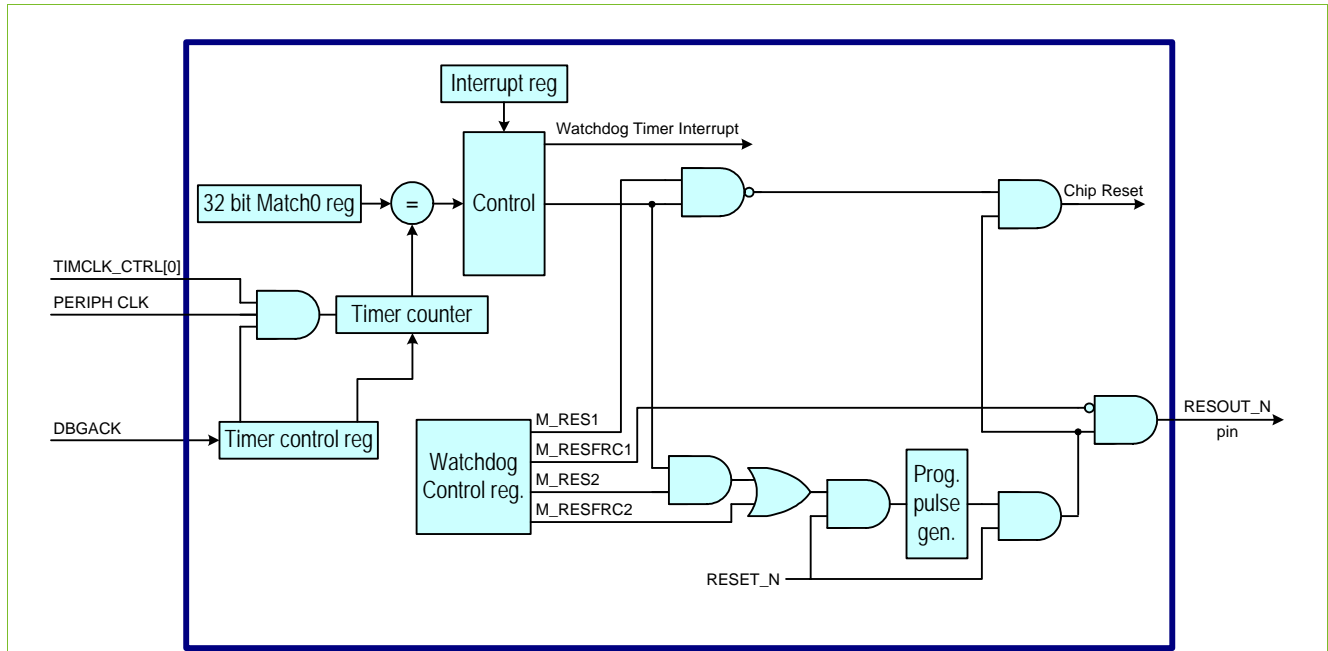


Fig 64. Watchdog timer block diagram

2.1 Reset examples

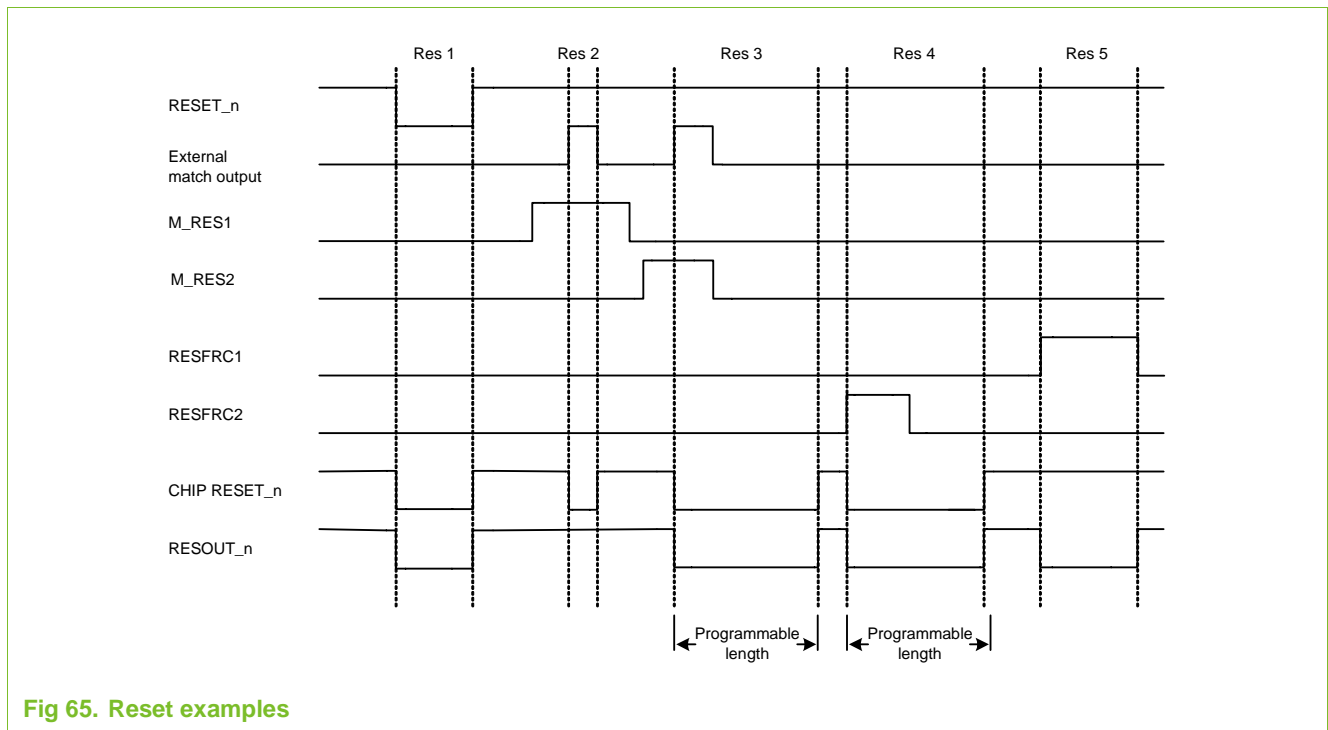


Fig 65. Reset examples

Res 1: An external reset gives an internal chip reset and an output on RESOUT_N.

Res 2: If there is an External Match output (WDOG match) and M_RES1 is High, then there will be an internal chip reset.

Res 3: If there is an External Match output (WDOG match) and M_RES2 is High, then there will be an internal chip reset and a RESOUT_N reset pulse with a programmable length.

Res 4: If RESFRC2 is set high, then there will be an internal chip reset and a RESOUT_N reset pulse with a programmable length.

Res 5 If RESFRC1 is set high, the RESOUT_N will go active (low).

2.2 Programmable pulse generator

The programmable pulse generator is triggered with a positive edge on the input and it generates a negative reset pulse with the length set in the WDOG_PULSE register. The pulse generator is not be reset by an internal chip reset. The WDTIM_PULSE register must be programmed after reset like the rest of the watchdog.

2.3 WDTIM_RES register

The WDTIM_RES register bit is cleared on external reset and set on internal reset. Software can read the WDTIM_RES register to find out whether the most recent reset was due to the watchdog or external reset.

3. Register description

The Watchdog includes the following registers. Detailed descriptions of the registers follow. The Watchdog timer clock must be enabled in the TIMCLK_CTRL register to get read/write access to any registers.

Table 348. Watchdog timer registers

Address	Name	Description	Reset value	Type
0x4003 C000	WDTIM_INT	Watchdog timer interrupt status register	0	R/W
0x4003 C004	WDTIM_CTRL	Watchdog timer control register	0	R/W
0x4003 C008	WDTIM_COUNTER	Watchdog timer counter value register	0	R/W
0x4003 C00C	WDTIM_MCTRL	Watchdog timer match control register	0	R/W
0x4003 C010	WDTIM_MATCH0	Watchdog timer match 0 register	0	R/W
0x4003 C014	WDTIM_EMR	Watchdog timer external match control register	0	R/W
0x4003 C018	WDTIM_PULSE	Watchdog timer reset pulse length register	0	R/W
0x4003 C01C	WDTIM_RES	Watchdog timer reset source register	0	RO

3.1 Watchdog Timer Interrupt Status Register (WDTIM_INT, RW - 0x4003 C000)

Table 349. Watchdog Timer Interrupt Status Register (WDTIM_INT, RW - 0x4003 C000)

Bits	Description	Reset value
7:1	Not used. Write is don't care, Read returns random value.	0
0	MATCH_INT Reading a 1 indicates an active MATCH 0 interrupt. Writing a 1 clears the active interrupt status. Writing 0 has no effect	0x0

3.2 Watchdog Timer Control Register (WDTIM_CTRL, RW - 0x4003 C004)

Table 350. Watchdog Timer Control Register (WDTIM_CTRL, RW - 0x4003 C004)

Bits	Description	Reset value
7:3	Not used. Write is don't care, Read returns random value.	0x0
2	PAUSE_EN (DEBUG_EN) 0 = Timer counter continues to run if ARM enters debug mode. 1 = Timer counter is stopped when the core is in debug mode (DBGACK high).	0
1	RESET_COUNT 0 = Timer counter is not reset. (Default) 1 = Timer counter will be reset on next PERIPH_CLK edge. Software must write this bit back to low to release the reset.	0
0	COUNT_ENAB 0 = Timer Counter is stopped. (Default) 1 = Timer Counter is enabled	

3.3 Watchdog Timer Counter Value Register (WDTIM_COUNTER, RW - 0x4003 C008)

Table 351. Watchdog Timer Counter Value Register (WDTIM_COUNTER, RW - 0x4003 C008)

Bits	Description	Reset value
31:0	WDTIM_COUNTER A read reflects the current value of the Watchdog Timer counter. A write loads a new value into the Timer counter.	0x0

3.4 Watchdog Timer Match Control Register (WDTIM_MCTRL, RW - 0x4003 C00C)

Table 352. Watchdog Timer Match Control Register (WDTIM_MCTRL, RW - 0x4003 C00C)

Bits	Description	Reset value
7	Not used. Write is don't care, Read returns random value.	0x0
6	RESFRC2 0 = No force. (Default) 1 = Force WDOG_RESET2 signal active	0
5	RESFRC1 0 = No force. (Default) 1 = Force RESOUT_N signal active	0
4	M_RES2 0 = Match output does not affect the WDOG_RESET2 signal. (Default) 1 = Enable Match output to generate active WDOG_RESET2 signal. This gives a chip Reset and RESOUT_N reset pulse.	0
3	M_RES1 0 = Match output does not generate device reset. (Default) 1 = Enable Match output to generate internal device reset. NB This does not generate a reset pulse on RESOUT_N.	0

Table 352. Watchdog Timer Match Control Register (WDTIM_MCTRL, RW - 0x4003 C00C) ...continued

Bits	Description	Reset value
2	STOP_COUNT0 0 = Disable the stop functionality on Match 0. (Default) 1 = Enable the Timer Counter and Prescale counter to be stopped on Match 0.	0
1	RESET_COUNT0 0 = Disable reset of Timer Counter on Match 0. (Default) 1 = Enable reset of Timer Counter on Match 0	0
0	MRO_INT 0 = Disable interrupt on the Match 0 register. (Default) 1 = Enable internal interrupt status generation on the Match 0 register.	0

3.5 Watchdog Timer Match 0 Register (WDTIM_MATCH0, RW - 0x4003 C010)

Table 353. Watchdog Timer Match 0 Register (WDTIM_MATCH0, RW - 0x4003 C010)

Bits	Description	Reset value
31:0	MATCH0 Holds the match value for the Timer Counter. Accesses to this register have no other effect than reading the current register value or loading a new value.	0

3.6 Watchdog Timer External Match Control Register (WDTIM_EMR, RW - 0x4003 C014)

Table 354. Watchdog Timer External Match Control Register (WDTIM_EMR, RW - 0x4003 C014)

Bits	Description	Reset value
7:6	Not used. Write is don't care, Read returns random value.	0x0
5:4	MATCH_CTRL 00 = Do nothing with the match output on match. (Default) 01 = Do not use this. 10 = Set Match output high on match. Use this setting when watchdog shall generate device reset. 11 = Do not use this.	0
3:1	Not used. Write is don't care, Read returns random value.	0
0	EXT_MATCH0 Holds current value of the match output signal. Match output can be set/reset by writing directly to this bit.	0

3.7 Watchdog Timer Reset Pulse Length Register (WDTIM_PULSE, RW - 0x4003 C018)

Table 355. Watchdog Timer Reset Pulse Length Register (WDTIM_PULSE, RW - 0x4003 C018)

Bits	Description	Reset value
15:0	PULSE ^[1] This register gives the RESET pulse length. 0x0: Reset pulse length is 5 PERIPH_CLKs 0x1: Reset pulse length is 6 PERIPH_CLKs 0xFFFF: Reset pulse length is 65541 PERIPH_CLKs	0x0

[1] The default value is set by external RESET_N only, not internal watchdog reset.

3.8 Watchdog Timer Reset Source Register (WDTIM_RES, RO - 0x4003 C01C)

Table 356. Watchdog Timer Reset Source Register (WDTIM_RES, RO - 0x4003 C01C)

Bits	Description	Reset value
31:1	Not used. Write is don't care, Read returns random value.	0x0
0	0: The last reset was a RESET_N reset 1: The last Reset was an internal chip reset (Watchdog reset)	0: external reset 1: internal reset

1. Introduction

The DMA controller allows peripheral-to memory, memory-to-peripheral, peripheral-to-peripheral, and memory-to-memory transactions. Each DMA stream provides unidirectional serial DMA transfers for a single source and destination. For example, a bi-directional port requires one stream for transmit and one for receives. The source and destination areas can each be either a memory region or a peripheral.

2. Features

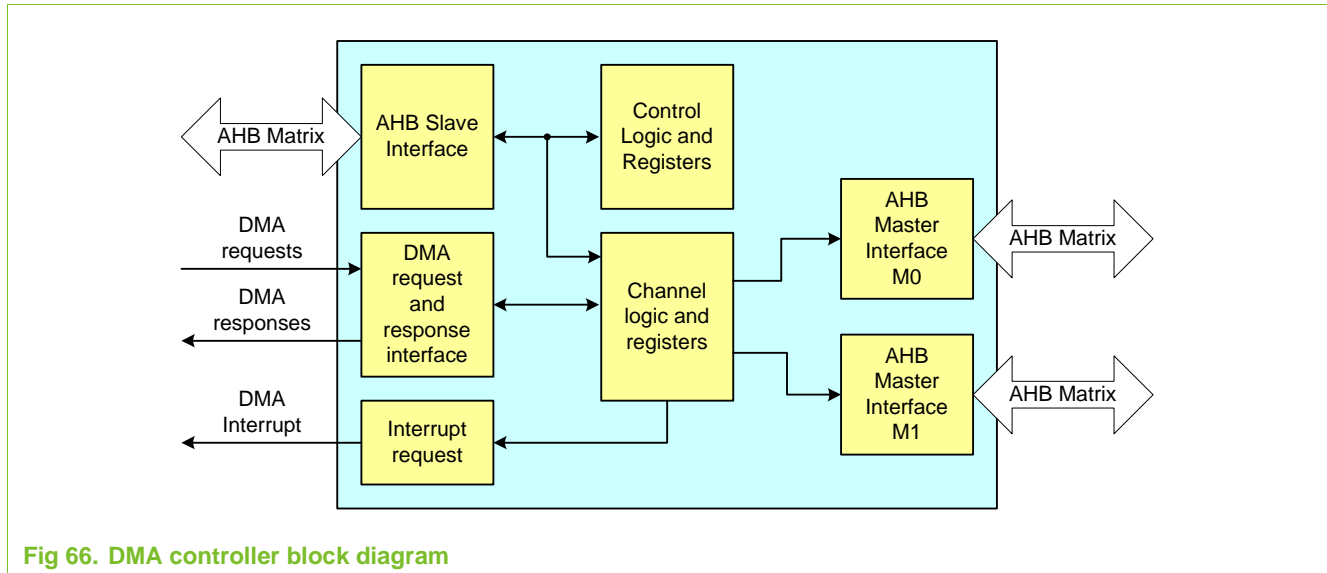
- Eight DMA channels. Each channel can support an unidirectional transfer.
- 16 DMA request lines.
- Single DMA and burst DMA request signals. Each peripheral connected to the DMA Controller can assert either a burst DMA request or a single DMA request. The DMA burst size is set by programming the DMA Controller.
- Memory-to-memory, memory-to-peripheral, peripheral-to-memory, and peripheral-to-peripheral transfers are supported.
- Scatter or gather DMA is supported through the use of linked lists. This means that the source and destination areas do not have to occupy contiguous areas of memory.
- Hardware DMA channel priority.
- AHB slave DMA programming interface. The DMA Controller is programmed by writing to the DMA control registers over the AHB slave interface.
- Two AHB bus masters for transferring data. These interfaces transfer data when a DMA request goes active. Either master can be selected for source or destination on each DMA channel.
- 32-bit AHB master bus width.
- Incrementing or non-incrementing addressing for source and destination.
- Programmable DMA burst size. The DMA burst size can be programmed to more efficiently transfer data.
- Internal four-word FIFO per channel.
- Supports 8, 16, and 32-bit wide transactions.
- Big-endian and little-endian support. The DMA Controller defaults to little-endian mode on reset.
- An interrupt to the processor can be generated on a DMA completion or when a DMA error has occurred.
- Raw interrupt status. The DMA error and DMA count raw interrupt status can be read prior to masking.

3. Functional description

This section describes the major functional blocks of the DMA Controller.

3.1 DMA controller functional description

The DMA Controller enables peripheral-to-memory, memory-to-peripheral, peripheral-to-peripheral, and memory-to-memory transactions. Each DMA stream provides unidirectional serial DMA transfers for a single source and destination. For example, a bidirectional port requires one stream for transmit and one for receive. The source and destination areas can each be either a memory region or a peripheral, and can be accessed through the AHB master. [Figure 24–66](#) shows a block diagram of the DMA Controller.



The functions of the DMA Controller are described in the following sections.

3.1.1 AHB slave interface

All transactions to DMA Controller registers on the AHB slave interface are 32 bits wide. Eight bit and 16-bit accesses are not supported and will result in an exception.

3.1.2 Control logic and register bank

The register block stores data written or to be read across the AHB interface.

3.1.3 DMA request and response interface

See DMA Interface description for information on the DMA request and response interface.

3.1.4 Channel logic and channel register bank

The channel logic and channel register bank contains registers and logic required for each DMA channel.

3.1.5 Interrupt request

The interrupt request generates the interrupt to the ARM processor.

3.1.6 AHB master interface

The DMA Controller contains two AHB master interfaces. Each AHB master is capable of dealing with all types of AHB transactions, including:

- Split, retry, and error responses from slaves. If a peripheral performs a split or retry, the DMA Controller stalls and waits until the transaction can complete.
- Locked transfers for source and destination of each stream.
- Setting of protection bits for transfers on each stream.

3.1.6.1 Bus and transfer widths

The physical width of the AHB bus is 32 bits. Source and destination transfers can be of differing widths and can be the same width or narrower than the physical bus width. The DMA Controller packs or unpacks data as appropriate.

3.1.6.2 Endian behavior

The DMA Controller can cope with both little-endian and big-endian addressing. Software can set the endianness of each AHB master individually.

Internally the DMA Controller treats all data as a stream of bytes instead of 16-bit or 32-bit quantities. This means that when performing mixed-endian activity, where the endianness of the source and destination are different, byte swapping of the data within the 32-bit data bus is observed.

Note: If byte swapping is not required, then use of different endianness between the source and destination addresses must be avoided. [Table 24–357](#) shows endian behavior for different source and destination combinations.

Table 357. Endian behavior

Source endian	Destination endian	Source width	Destination width	Source transfer no/byte lane	Source data	Destination transfer no/byte lane	Destination data
Little	Little	8	8	1/[7:0]	21	1/[7:0]	21212121
				2/[15:8]	43	2/[15:8]	43434343
				3/[23:16]	65	3/[23:16]	65656565
				4/[31:24]	87	4/[31:24]	87878787
Little	Little	8	16	1/[7:0]	21	1/[15:0]	43214321
				2/[15:8]	43	2/[31:16]	87658765
				3/[23:16]	65		
				4/[31:24]	87		
Little	Little	8	32	1/[7:0]	21	1/[31:0]	87654321
				2/[15:8]	43		
				3/[23:16]	65		
				4/[31:24]	87		
Little	Little	16	8	1/[7:0]	21	1/[7:0]	21212121
				1/[15:8]	43	2/[15:8]	43434343
				2/[23:16]	65	3/[23:16]	65656565
				2/[31:24]	87	4/[31:24]	87878787

Table 357. Endian behavior ...continued

Source endian	Destination endian	Source width	Destination width	Source transfer no/byte lane	Source data	Destination transfer no/byte lane	Destination data
Little	Little	16	16	1/[7:0]	21	1/[15:0]	43214321
				1/[15:8]	43	2/[31:16]	87658765
				2/[23:16]	65		
				2/[31:24]	87		
Little	Little	16	32	1/[7:0]	21	1/[31:0]	87654321
				1/[15:8]	43		
				2/[23:16]	65		
				2/[31:24]	87		
Little	Little	32	8	1/[7:0]	21	1/[7:0]	21212121
				1/[15:8]	43	2/[15:8]	43434343
				1/[23:16]	65	3/[23:16]	65656565
				1/[31:24]	87	4/[31:24]	87878787
Little	Little	32	16	1/[7:0]	21	1/[15:0]	43214321
				1/[15:8]	43	2/[31:16]	87658765
				1/[23:16]	65		
				1/[31:24]	87		
Little	Little	32	32	1/[7:0]	21	1/[31:0]	87654321
				1/[15:8]	43		
				1/[23:16]	65		
				1/[31:24]	87		
Big	Big	8	8	1/[31:24]	12	1/[31:24]	12121212
				2/[23:16]	34	2/[23:16]	34343434
				3/[15:8]	56	3/[15:8]	56565656
				4/[7:0]	78	4/[7:0]	78787878
Big	Big	8	16	1/[31:24]	12	1/[15:0]	12341234
				2/[23:16]	34	2/[31:16]	56785678
				3/[15:8]	56		
				4/[7:0]	78		
Big	Big	8	32	1/[31:24]	12	1/[31:0]	12345678
				2/[23:16]	34		
				3/[15:8]	56		
				4/[7:0]	78		
Big	Big	16	8	1/[31:24]	12	1/[31:24]	12121212
				1/[23:16]	34	2/[23:16]	34343434
				2/[15:8]	56	3/[15:8]	56565656
				2/[7:0]	78	4/[7:0]	78787878
Big	Big	16	16	1/[31:24]	12	1/[15:0]	12341234
				1/[23:16]	34	2/[31:16]	56785678
				2/[15:8]	56		
				2/[7:0]	78		

Table 357. Endian behavior ...continued

Source endian	Destination endian	Source width	Destination width	Source transfer no/byte lane	Source data	Destination transfer no/byte lane	Destination data
Big	Big	16	32	1/[31:24]	12	1/[31:0]	12345678
				1/[23:16]	34		
				2/[15:8]	56		
				2/[7:0]	78		
Big	Big	32	8	1/[31:24]	12	1/[31:24]	12121212
				1/[23:16]	34	2/[23:16]	34343434
				1/[15:8]	56	3/[15:8]	56565656
				1/[7:0]	78	4/[7:0]	78787878
Big	Big	32	16	1/[31:24]	12	1/[15:0]	12341234
				1/[23:16]	34	2/[31:16]	56785678
				1/[15:8]	56		
				1/[7:0]	78		
Big	Big	32	32	1/[31:24]	12	1/[31:0]	12345678
				1/[23:16]	34		
				1/[15:8]	56		
				1/[7:0]	78		

3.1.6.3 Error conditions

An error during a DMA transfer is flagged directly by the peripheral by asserting an Error response on the AHB bus during the transfer. The DMA Controller automatically disables the DMA stream after the current transfer has completed, and can optionally generate an error interrupt to the CPU. This error interrupt can be masked.

3.1.7 Channel hardware

Each stream is supported by a dedicated hardware channel, including source and destination controllers, as well as a FIFO. This enables better latency than a DMA controller with only a single hardware channel shared between several DMA streams and simplifies the control logic.

3.1.8 DMA request priority

DMA channel priority is fixed. DMA channel 0 has the highest priority and DMA channel 7 has the lowest priority.

If the DMA Controller is transferring data for the lower priority channel and then the higher priority channel goes active, it completes the number of transfers delegated to the master interface by the lower priority channel before switching over to transfer data for the higher priority channel. In the worst case this is as large as a one quadword.

It is recommended that memory-to-memory transactions use the lowest priority channel. Otherwise other AHB bus masters are prevented from accessing the bus during DMA Controller memory-to-memory transfer.

3.1.9 Interrupt generation

A combined interrupt output is generated as an OR function of the individual interrupt requests of the DMA Controller and is connected to the interrupt controller.

3.2 DMA system connections

3.2.1 DMA request signals

The DMA request signals are used by peripherals to request a data transfer. The DMA request signals indicate whether a single or burst transfer of data is required and whether the transfer is the last in the data packet. The DMA available request signals are:

DMACBREQ[15:0] — Burst request signals. These cause a programmed burst number of data to be transferred.

DMACSREQ[15:0] — Single transfer request signals. These cause a single data to be transferred. The DMA controller transfers a single transfer to or from the peripheral.

DMACLBREQ[15:0] — Last burst request signals.

DMACLSREQ[15:0] — Last single transfer request signals.

Note that most peripherals do not support all request types.

3.2.2 DMA response signals

The DMA response signals indicate whether the transfer initiated by the DMA request signal has completed. The response signals can also be used to indicate whether a complete packet has been transferred. The DMA response signals from the DMA controller are:

DMACCLR[15:0] — DMA clear or acknowledge signals. The DMACCLR signal is used by the DMA controller to acknowledge a DMA request from the peripheral.

DMACTC[15:0] — DMA terminal count signals. The DMACTC signal can be used by the DMA controller to indicate to the peripheral that the DMA transfer is complete.

The connection of the DMA Controller to supported peripheral devices is shown in [Table 24–358](#).

Table 358. Peripheral connections to the DMA controller and matching flow control signals.

Peripheral Number	DMA Slave	DMACBREQ	DMACSREQ	DMACLBREQ	DMACLSREQ
0	reserved	-	-	-	-
1	NAND Flash (same as channel 12)	X	-	-	-
2	reserved	-	-	-	-
3	SPI2 receive and transmit	X	-	-	-
4	SD Card interface receive and transmit	X	X	X	X
5	HS-Uart1 transmit	X	-	-	-
6	HS-Uart1 receive	X	-	-	-
7	HS-Uart2 transmit	X	-	-	-
8	HS-Uart2 receive	X	-	-	-
9	HS-Uart7 transmit	X	-	-	-
10	HS-Uart7 receive	X	-	-	-
11	SPI1 receive and transmit	X	-	-	-
12	NAND Flash (same as channel 1)	X	-	-	-
15:13	reserved	-	-	-	-

4. Register description

The DMA Controller supports 8 channels. Each channel has registers specific to the operation of that channel. Other registers controls aspects of how source peripherals relate to the DMA Controller. There are also global DMA control and status registers.

The DMA Controller registers are shown in [Table 24–359](#).

Table 359. Register summary

Address	Name	Description	Reset state	Access
General registers				
0x3100 0000	DMACIntStat	DMA Interrupt Status Register	0	RO
0x3100 0004	DMACIntTCStat	DMA Interrupt Terminal Count Request Status Register	0	RO
0x3100 0008	DMACIntTCClear	DMA Interrupt Terminal Count Request Clear Register	-	WO
0x3100 000C	DMACIntErrStat	DMA Interrupt Error Status Register	0	RO
0x3100 0010	DMACIntErrClr	DMA Interrupt Error Clear Register	-	WO
0x3100 0014	DMACRawIntTCStat	DMA Raw Interrupt Terminal Count Status Register	0	RO
0x3100 0018	DMACRawIntErrStat	DMA Raw Error Interrupt Status Register	0	RO
0x3100 001C	DMACEnbldChns	DMA Enabled Channel Register	0	RO
0x3100 0020	DMACSoftBReq	DMA Software Burst Request Register	0	R/W
0x3100 0024	DMACSoftSReq	DMA Software Single Request Register	0	R/W
0x3100 0028	DMACSoftLBReq	DMA Software Last Burst Request Register	0	R/W
0x3100 002C	DMACSoftLSReq	DMA Software Last Single Request Register	0	R/W
0x3100 0030	DMACConfig	DMA Configuration Register	0	R/W
0x3100 0034	DMACSync	DMA Synchronization Register	0	R/W
Channel 0 registers				
0x3100 0100	DMACC0SrcAddr	DMA Channel 0 Source Address Register	0	R/W
0x3100 0104	DMACC0DestAddr	DMA Channel 0 Destination Address Register	0	R/W
0x3100 0108	DMACC0LLI	DMA Channel 0 Linked List Item Register	0	R/W
0x3100 010C	DMACC0Control	DMA Channel 0 Control Register	0	R/W
0x3100 0110	DMACC0Config	DMA Channel 0 Configuration Register	0 ^[1]	R/W
Channel 1 registers				
0x3100 0120	DMACC1SrcAddr	DMA Channel 1 Source Address Register	0	R/W
0x3100 0124	DMACC1DestAddr	DMA Channel 1 Destination Address Register	0	R/W
0x3100 0128	DMACC1LLI	DMA Channel 1 Linked List Item Register	0	R/W
0x3100 012C	DMACC1Control	DMA Channel 1 Control Register	0	R/W
0x3100 0130	DMACC1Config	DMA Channel 1 Configuration Register	0 ^[1]	R/W
Channel 2 registers				
0x3100 0140	DMACC2SrcAddr	DMA Channel 2 Source Address Register	0	R/W
0x3100 0144	DMACC2DestAddr	DMA Channel 2 Destination Address Register	0	R/W
0x3100 0148	DMACC2LLI	DMA Channel 2 Linked List Item Register	0	R/W
0x3100 014C	DMACC2Control	DMA Channel 2 Control Register	0	R/W
0x3100 0150	DMACC2Config	DMA Channel 2 Configuration Register	0 ^[1]	R/W

Table 359. Register summary ...continued

Address	Name	Description	Reset state	Access
Channel 3 registers				
0x3100 0160	DMACC3SrcAddr	DMA Channel 3 Source Address Register	0	R/W
0x3100 0164	DMACC3DestAddr	DMA Channel 3 Destination Address Register	0	R/W
0x3100 0168	DMACC3LLI	DMA Channel 3 Linked List Item Register	0	R/W
0x3100 016C	DMACC3Control	DMA Channel 3 Control Register	0	R/W
0x3100 0170	DMACC3Config	DMA Channel 3 Configuration Register	0 ^[1]	R/W
Channel 4 registers				
0x3100 0180	DMACC4SrcAddr	DMA Channel 4 Source Address Register	0	R/W
0x3100 0184	DMACC4DestAddr	DMA Channel 4 Destination Address Register	0	R/W
0x3100 0188	DMACC4LLI	DMA Channel 4 Linked List Item Register	0	R/W
0x3100 018C	DMACC4Control	DMA Channel 4 Control Register	0	R/W
0x3100 0190	DMACC4Config	DMA Channel 4 Configuration Register	0 ^[1]	R/W
Channel 5 registers				
0x3100 01A0	DMACC5SrcAddr	DMA Channel 5 Source Address Register	0	R/W
0x3100 01A4	DMACC5DestAddr	DMA Channel 5 Destination Address Register	0	R/W
0x3100 01A8	DMACC5LLI	DMA Channel 5 Linked List Item Register	0	R/W
0x3100 01AC	DMACC5Control	DMA Channel 5 Control Register	0	R/W
0x3100 01B0	DMACC5Config	DMA Channel 5 Configuration Register	0 ^[1]	R/W
Channel 6 registers				
0x3100 01C0	DMACC6SrcAddr	DMA Channel 6 Source Address Register	0	R/W
0x3100 01C4	DMACC6DestAddr	DMA Channel 6 Destination Address Register	0	R/W
0x3100 01C8	DMACC6LLI	DMA Channel 6 Linked List Item Register	0	R/W
0x3100 01CC	DMACC6Control	DMA Channel 6 Control Register	0	R/W
0x3100 01D0	DMACC6Config	DMA Channel 6 Configuration Register	0 ^[1]	R/W
Channel 7 registers				
0x3100 01E0	DMACC7SrcAddr	DMA Channel 7 Source Address Register	0	R/W
0x3100 01E4	DMACC7DestAddr	DMA Channel 7 Destination Address Register	0	R/W
0x3100 01E8	DMACC7LLI	DMA Channel 7 Linked List Item Register	0	R/W
0x3100 01EC	DMACC7Control	DMA Channel 7 Control Register	0	R/W
0x3100 01F0	DMACC7Config	DMA Channel 7 Configuration Register	0 ^[1]	R/W

[1] Bit 17 of this register is a read-only status flag.

4.1 DMA Interrupt Status Register (DMACIntStat - 0x3100 0000)

The DMACIntStat Register is read-only and shows the status of the interrupts after masking. A HIGH bit indicates that a specific DMA channel interrupt request is active. The request can be generated from either the error or terminal count interrupt requests.

[Table 24–360](#) shows the bit assignments of the DMACIntStat Register.

Table 360. DMA Interrupt Status Register (DMACIntStat - 0x3100 0000)

Bit	Name	Function
7:0	IntStat	Status of DMA channel interrupts after masking. Each bit represents one channel: 0 - the corresponding channel has no active interrupt request. 1 - the corresponding channel does have an active interrupt request.

4.2 DMA Interrupt Terminal Count Request Status Register (DMACIntTCStat - 0x3100 0004)

The DMACIntTCStat Register is read-only and indicates the status of the terminal count after masking. [Table 24–361](#) shows the bit assignments of the DMACIntTCStat Register.

Table 361. DMA Interrupt Terminal Count Request Status Register (DMACIntTCStat - 0x3100 0004)

Bit	Name	Function
7:0	IntTCStat	Terminal count interrupt request status for DMA channels. Each bit represents one channel: 0 - the corresponding channel has no active terminal count interrupt request. 1 - the corresponding channel does have an active terminal count interrupt request.

4.3 DMA Interrupt Terminal Count Request Clear Register (DMACIntTCClear - 0x3100 0008)

The DMACIntTCClear Register is write-only and clears one or more terminal count interrupt requests. When writing to this register, each data bit that is set HIGH causes the corresponding bit in the status register (DMACIntTCStat) to be cleared. Data bits that are LOW have no effect. [Table 24–362](#) shows the bit assignments of the DMACIntTCClear Register.

Table 362. DMA Interrupt Terminal Count Request Clear Register (DMACIntTCClear - 0x3100 0008)

Bit	Name	Function
7:0	IntTCClear	Allows clearing the Terminal count interrupt request (IntTCStat) for DMA channels. Each bit represents one channel: 0 - writing 0 has no effect. 1 - clears the corresponding channel terminal count interrupt.

4.4 DMA Interrupt Error Status Register (DMACIntErrStat - 0x3100 000C)

The DMACIntErrStat Register is read-only and indicates the status of the error request after masking. [Table 24–363](#) shows the bit assignments of the DMACIntErrStat Register.

Table 363. DMA Interrupt Error Status Register (DMACIntErrStat - 0x3100 000C)

Bit	Name	Function
7:0	IntErrStat	Interrupt error status for DMA channels. Each bit represents one channel: 0 - the corresponding channel has no active error interrupt request. 1 - the corresponding channel does have an active error interrupt request.

4.5 DMA Interrupt Error Clear Register (DMACIntErrClr - 0x3100 0010)

The DMACIntErrClr Register is write-only and clears the error interrupt requests. When writing to this register, each data bit that is HIGH causes the corresponding bit in the status register to be cleared. Data bits that are LOW have no effect on the corresponding bit in the register. [Table 24–364](#) shows the bit assignments of the DMACIntErrClr Register.

Table 364. DMA Interrupt Error Clear Register (DMACIntErrClr - 0x3100 0010)

Bit	Name	Function
7:0	IntErrClr	Writing a 1 clears the error interrupt request (IntErrStat) for DMA channels. Each bit represents one channel: 0 - writing 0 has no effect. 1 - clears the corresponding channel error interrupt.

4.6 DMA Raw Interrupt Terminal Count Status Register (DMACRawIntTCStat - 0x3100 0014)

The DMACRawIntTCStat Register is read-only and indicates which DMA channel is requesting a transfer complete (terminal count interrupt) prior to masking. (Note: the DMACIntTCStat Register contains the same information after masking.) A HIGH bit indicates that the terminal count interrupt request is active prior to masking. [Table 24–365](#) shows the bit assignments of the DMACRawIntTCStat Register.

Table 365. DMA Raw Interrupt Terminal Count Status Register (DMACRawIntTCStat - 0x3100 0014)

Bit	Name	Function
7:0	RawIntTCStat	Status of the terminal count interrupt for DMA channels prior to masking. Each bit represents one channel: 0 - the corresponding channel has no active terminal count interrupt request. 1 - the corresponding channel does have an active terminal count interrupt request.

4.7 DMA Raw Error Interrupt Status Register (DMACRawIntErrStat - 0x3100 0018)

The DMACRawIntErrStat Register is read-only and indicates which DMA channel is requesting an error interrupt prior to masking. (Note: the DMACIntErrStat Register contains the same information after masking.) A HIGH bit indicates that the error interrupt request is active prior to masking. [Table 24–366](#) shows the bit assignments of register of the DMACRawIntErrStat Register.

Table 366. DMA Raw Error Interrupt Status Register (DMACRawIntErrStat - 0x3100 0018)

Bit	Name	Function
7:0	RawIntErrStat	Status of the error interrupt for DMA channels prior to masking. Each bit represents one channel: 0 - the corresponding channel has no active error interrupt request. 1 - the corresponding channel does have an active error interrupt request.

4.8 DMA Enabled Channel Register (DMACEnbldChns - 0x3100 001C)

The DMACEnbldChns Register is read-only and indicates which DMA channels are enabled, as indicated by the Enable bit in the DMACCxConfig Register. A HIGH bit indicates that a DMA channel is enabled. A bit is cleared on completion of the DMA transfer. [Table 24–367](#) shows the bit assignments of the DMACEnbldChns Register.

Table 367. DMA Enabled Channel Register (DMACEnbldChns - 0x3100 001C)

Bit	Name	Function
7:0	EnabledChannels	Enable status for DMA channels. Each bit represents one channel: 0 - DMA channel is disabled. 1 - DMA channel is enabled.

4.9 DMA Software Burst Request Register (DMACSoftBReq - 0x3100 0020)

The DMACSoftBReq Register is read/write and enables DMA burst requests to be generated by software. A DMA request can be generated for each source by writing a 1 to the corresponding register bit. A register bit is cleared when the transaction has completed. Reading the register indicates which sources are requesting DMA burst transfers. A request can be generated from either a peripheral or the software request register. Each bit is cleared when the related transaction has completed. [Table 24–368](#) shows the bit assignments of the DMACSoftBReq Register.

Table 368. DMA Software Burst Request Register (DMACSoftBReq - 0x3100 0020)

Bit	Name	Function
15:0	SoftBReq	Software burst request flags for each of 16 possible sources. Each bit represents one DMA request line or peripheral function (refer to Table 24–358 for peripheral hardware connections to the DMA controller): 0 - writing 0 has no effect. 1 - writing 1 generates a DMA burst request for the corresponding request line.

Note: It is recommended that software and hardware peripheral requests are not used at the same time.

4.10 DMA Software Single Request Register (DMACSoftSReq - 0x3100 0024)

The DMACSoftSReq Register is read/write and enables DMA single transfer requests to be generated by software. A DMA request can be generated for each source by writing a 1 to the corresponding register bit. A register bit is cleared when the transaction has completed. Reading the register indicates which sources are requesting single DMA transfers. A request can be generated from either a peripheral or the software request register. [Table 24–369](#) shows the bit assignments of the DMACSoftSReq Register.

Table 369. DMA Software Single Request Register (DMACSoftSReq - 0x3100 0024)

Bit	Name	Function
15:0	SoftSReq	Software single transfer request flags for each of 16 possible sources. Each bit represents one DMA request line or peripheral function: 0 - writing 0 has no effect. 1 - writing 1 generates a DMA single transfer request for the corresponding request line.

4.11 DMA Software Last Burst Request Register (DMACSoftLBReq - 0x3100 0028)

The DMACSoftLBReq Register is read/write and enables DMA last burst requests to be generated by software. A DMA request can be generated for each source by writing a 1 to the corresponding register bit. A register bit is cleared when the transaction has completed. Reading the register indicates which sources are requesting last burst DMA transfers. A request can be generated from either a peripheral or the software request register. [Table 24–370](#) shows the bit assignments of the DMACSoftLBReq Register.

Table 370. DMA Software Last Burst Request Register (DMACSoftLBReq - 0x3100 0028)

Bit	Name	Function
15:0	SoftLBReq	Software last burst request flags for each of 16 possible sources. Each bit represents one DMA request line or peripheral function: 0 - writing 0 has no effect. 1 - writing 1 generates a DMA last burst request for the corresponding request line.

4.12 DMA Software Last Single Request Register (DMACSoftLSReq - 0x3100 002C)

The DMACSoftLSReq Register is read/write and enables DMA last single requests to be generated by software. A DMA request can be generated for each source by writing a 1 to the corresponding register bit. A register bit is cleared when the transaction has completed. Reading the register indicates which sources are requesting last single DMA transfers. A request can be generated from either a peripheral or the software request register. [Table 24–371](#) shows the bit assignments of the DMACSoftLSReq Register.

Table 371. DMA Software Last Single Request Register (DMACSoftLSReq - 0x3100 002C)

Bit	Name	Function
15:0	SoftLSReq	Software last single transfer request flags for each of 16 possible sources. Each bit represents one DMA request line or peripheral function: 0 - writing 0 has no effect. 1 - writing 1 generates a DMA last single transfer request for the corresponding request line.

4.13 DMA Configuration Register (DMACConfig - 0x3100 0030)

The DMACConfig Register is read/write and configures the operation of the DMA Controller. The endianness of the AHB master interface can be altered by writing to the M bit of this register. The AHB master interface is set to little-endian mode on reset. [Table 24–372](#) shows the bit assignments of the DMACConfig Register.

Table 372. DMA Configuration Register (DMACConfig - 0x3100 0030)

Bit	Name	Function
2	M1	AHB Master 1 endianness configuration: 0 = little-endian mode (default). 1 = big-endian mode.
1	M0	AHB Master 0 endianness configuration: 0 = little-endian mode (default). 1 = big-endian mode.
0	E	DMA Controller enable: 0 = disabled (default). Disabling the DMA Controller reduces power consumption. 1 = enabled.

4.14 DMA Synchronization Register (DMACSync - 0x3100 0034)

The DMACSync Register is read/write and enables or disables synchronization logic for the DMA request signals. The DMA request signals consist of the DMACBREQ[15:0], DMACSREQ[15:0], DMACLBREQ[15:0], and DMACLSREQ[15:0]. A bit set to 0 enables the synchronization logic for a particular group of DMA requests. A bit set to 1 disables the synchronization logic for a particular group of DMA requests. This register is reset to 0, synchronization logic enabled. [Table 24–373](#) shows the bit assignments of the DMACSync Register.

Table 373. DMA Synchronization Register (DMACSync - 0x3100 0034)

Bit	Name	Function
15:0	DMACSync	Controls the synchronization logic for DMA request signals. Each bit represents one set of DMA request lines as described in the preceding text: 0 - synchronization logic for the corresponding DMA request signals are disabled. 1 - synchronization logic for the corresponding request line signals are enabled.

4.15 DMA Channel registers

The channel registers are used to program the eight DMA channels. These registers consist of:

- Eight DMACCxSrcAddr Registers.
- Eight DMACCxDestAddr Registers.
- Eight DMACCxLLI Registers.
- Eight DMACCxControl Registers.
- Eight DMACCxConfig Registers.

When performing scatter/gather DMA, the first four of these are automatically updated.

4.16 DMA Channel Source Address Registers (DMACCxSrcAddr - 0x3100 01x0)

The eight read/write DMACCxSrcAddr Registers (DMACC0SrcAddr to DMACC7SrcAddr) contain the current source address (byte-aligned) of the data to be transferred. Each register is programmed directly by software before the appropriate channel is enabled. When the DMA channel is enabled this register is updated:

- As the source address is incremented.
- By following the linked list when a complete packet of data has been transferred.

Reading the register when the channel is active does not provide useful information. This is because by the time software has processed the value read, the address may have progressed. It is intended to be read only when the channel has stopped, in which case it shows the source address of the last item read.

Note: The source and destination addresses must be aligned to the source and destination widths.

[Table 24–374](#) shows the bit assignments of the DMACCxSrcAddr Registers.

Table 374. DMA Channel Source Address Registers (DMACCxSrcAddr - 0x3100 01x0)

Bit	Name	Function
31:0	SrcAddr	DMA source address. Reading this register will return the current source address.

4.17 DMA Channel Destination Address registers (DMACCxDestAddr - 0x3100 01x4)

The eight read/write DMACCxDestAddr Registers (DMACC0DestAddr to DMACC7DestAddr) contain the current destination address (byte-aligned) of the data to be transferred. Each register is programmed directly by software before the channel is enabled. When the DMA channel is enabled the register is updated as the destination address is incremented and by following the linked list when a complete packet of data has been transferred. Reading the register when the channel is active does not provide useful information. This is because by the time that software has processed the value read, the address may have progressed. It is intended to be read only when a channel has stopped, in which case it shows the destination address of the last item read.

[Table 24–375](#) shows the bit assignments of the DMACCxDestAddr Register.

Table 375. DMA Channel Destination Address registers (DMACCxDestAddr - 0x3100 01x4)

Bit	Name	Function
31:0	DestAddr	DMA Destination address. Reading this register will return the current destination address.

4.18 DMA Channel Linked List Item registers (DMACCxLLI - 0x3100 01x8)

The eight read/write DMACCxLLI Registers (DMACC0LLI to DMACC7LLI) contain a word-aligned address of the next Linked List Item (LLI). If the LLI is 0, then the current LLI is the last in the chain, and the DMA channel is disabled when all DMA transfers associated with it are completed. Programming this register when the DMA channel is enabled may have unpredictable side effects. [Table 24–376](#) shows the bit assignments of the DMACCxLLI Register.

Table 376. DMA Channel Linked List Item registers (DMACCxLLI - 0x3100 01x8)

Bit	Name	Function
31:2	LLI	Linked list item. Bits [31:2] of the address for the next LLI. Address bits [1:0] are 0.
1	R	Reserved, and must be written as 0, masked on read.
0	LM	AHB master select for loading the next LLI: 0 - AHB Master 0. 1 - AHB Master 1.

4.19 DMA channel control registers (DMACCxControl - 0x3100 01xC)

The eight read/write DMACCxControl Registers (DMACC0Control to DMACC7Control) contain DMA channel control information such as the transfer size, burst size, and transfer width. Each register is programmed directly by software before the DMA channel is enabled. When the channel is enabled the register is updated by following the linked list when a complete packet of data has been transferred. Reading the register while the channel is active does not give useful information. This is because by the time software has processed the value read, the channel may have advanced. It is intended to be read only when a channel has stopped. [Table 24–377](#) shows the bit assignments of the DMACCxControl Register.

4.19.1 Protection and access information

AHB access information is provided to the source and destination peripherals when a transfer occurs. The transfer information is provided by programming the DMA channel (the Prot bits of the DMACCxControl Register, and the Lock bit of the DMACCxConfig Register). These bits are programmed by software. Peripherals can use this information if necessary. Three bits of information are provided, and are used as shown in [Table 24–377](#).

Table 377. DMA channel control registers (DMACCxControl - 0x3100 01xC)

Bit	Name	Function
31	I	Terminal count interrupt enable bit. 0 - the terminal count interrupt is disabled. 1 - the terminal count interrupt is enabled.
30	Prot3	Indicates that the access is cacheable or not cacheable: 0 - access is not cacheable. 1 - access is cacheable.
29	Prot2	Indicates that the access is bufferable or not bufferable: 0 - access is not bufferable. 1 - access is bufferable.
28	Prot1	Indicates that the access is in user mode or privileged mode: 0 - access is in user mode. 1 - access is in privileged mode.
27	DI	Destination increment: 0 - the destination address is not incremented after each transfer 1 - the destination address is incremented after each transfer.
26	SI	Source increment: 0 - the source address is not incremented after each transfer. 1 - the source address is incremented after each transfer.
25	D	Destination AHB master select: 0 - AHB Master 0 selected for destination transfer. 1 - AHB Master 1 selected for destination transfer.
24	S	Source AHB master select: 0 - AHB Master 0 selected for source transfer. 1 - AHB Master 1 selected for source transfer.

Table 377. DMA channel control registers (DMACCxControl - 0x3100 01xC) ...continued

Bit	Name	Function
23:21	DWidth	<p>Destination transfer width. Transfers wider than the AHB master bus width are not supported. The source and destination widths can be different from each other. The hardware automatically packs and unpacks the data as required.</p> <p>000 - Byte (8-bit) 001 - Halfword (16-bit) 010 - Word (32-bit) 011 to 111 - Reserved</p>
20:18	SWidth	<p>Source transfer width. Transfers wider than the AHB master bus width are illegal. The source and destination widths can be different from each other. The hardware automatically packs and unpacks the data as required.</p> <p>000 - Byte (8-bit) 001 - Halfword (16-bit) 010 - Word (32-bit) 011 to 111 - Reserved</p>

Table 377. DMA channel control registers (DMACCxControl - 0x3100 01xC) ...continued

Bit	Name	Function
17:15	DBSize	<p>Destination burst size. Indicates the number of transfers that make up a destination burst transfer request. This value must be set to the burst size of the destination peripheral or, if the destination is memory, to the memory boundary size. The burst size is the amount of data that is transferred when the DMACBREQ signal goes active in the destination peripheral.</p> <p>000 - 1 001 - 4 010 - 8 011 - 16 100 - 32 101 - 64 110 - 128 111 - 256</p>
14:12	SBSize	<p>Source burst size. Indicates the number of transfers that make up a source burst. This value must be set to the burst size of the source peripheral, or if the source is memory, to the memory boundary size. The burst size is the amount of data that is transferred when the DMACBREQ signal goes active in the source peripheral.</p> <p>000 - 1 001 - 4 010 - 8 011 - 16 100 - 32 101 - 64 110 - 128 111 - 256</p>
11:0	TransferSize	<p>Transfer size. A write to this field sets the size of the transfer when the DMA Controller is the flow controller. The transfer size value must be set before the channel is enabled. Transfer size is updated as data transfers are completed.</p> <p>A read from this field indicates the number of transfers completed on the destination bus. Reading the register when the channel is active does not give useful information because by the time that the software has processed the value read, the channel might have progressed. It is intended to be used only when a channel is enabled and then disabled.</p> <p>The transfer size value is not used if the DMA Controller is not the flow controller.</p>

4.20 Channel Configuration registers (DMACCxConfig - 0x3100 01x0)

The eight DMACCxConfig Registers (DMACC0Config to DMACC7Config) are read/write with the exception of bit[17] which is read-only. Used these to configure the DMA channel. The registers are not updated when a new LLI is requested. [Table 24–378](#) shows the bit assignments of the DMACCxConfig Register.

Table 378. Channel Configuration registers (DMACCxConfig - 0x3100 01x0)

Bit	Name	Function
31:19	Reserved	Reserved, do not modify, masked on read.
18	H	<p>Halt:</p> <p>0 = enable DMA requests.</p> <p>1 = ignore further source DMA requests.</p> <p>The contents of the channel FIFO are drained.</p> <p>This value can be used with the Active and Channel Enable bits to cleanly disable a DMA channel.</p>
17	A	<p>Active:</p> <p>0 = there is no data in the FIFO of the channel.</p> <p>1 = the channel FIFO has data.</p> <p>This value can be used with the Halt and Channel Enable bits to cleanly disable a DMA channel. This is a read-only bit.</p>
16	L	Lock. When set, this bit enables locked transfers.
15	ITC	Terminal count interrupt mask. When cleared, this bit masks out the terminal count interrupt of the relevant channel.
14	IE	Interrupt error mask. When cleared, this bit masks out the error interrupt of the relevant channel.
13:11	FlowCntrl	<p>Flow control and transfer type. This value indicates the flow controller and transfer type. The flow controller can be the DMA Controller, the source peripheral, or the destination peripheral.</p> <p>The transfer type can be memory-to-memory, memory-to-peripheral, peripheral-to-memory, or peripheral-to-peripheral.</p> <p>Refer to Table 24–379 for the encoding of this field.</p>
10:6	DestPeripheral	<p>Destination peripheral. This value selects the DMA destination request peripheral. This field is ignored if the destination of the transfer is to memory. See Table 24–358 for peripheral identification.</p>
5:1	SrcPeripheral	<p>Source peripheral. This value selects the DMA source request peripheral. This field is ignored if the source of the transfer is from memory. See Table 24–358 for peripheral identification.</p>
0	E	<p>Channel enable. Reading this bit indicates whether a channel is currently enabled or disabled:</p> <p>0 = channel disabled.</p> <p>1 = channel enabled.</p> <p>The Channel Enable bit status can also be found by reading the DMACEnbldChns Register.</p> <p>A channel is enabled by setting this bit.</p> <p>A channel can be disabled by clearing the Enable bit. This causes the current AHB transfer (if one is in progress) to complete and the channel is then disabled. Any data in the FIFO of the relevant channel is lost. Restarting the channel by setting the Channel Enable bit has unpredictable effects, the channel must be fully re-initialized.</p> <p>The channel is also disabled, and Channel Enable bit cleared, when the last LLI is reached, the DMA transfer is completed, or if a channel error is encountered.</p> <p>If a channel must be disabled without losing data in the FIFO, the Halt bit must be set so that further DMA requests are ignored. The Active bit must then be polled until it reaches 0, indicating that there is no data left in the FIFO. Finally, the Channel Enable bit can be cleared.</p>

4.20.1 Lock control

The lock control may set the lock bit by writing a 1 to bit 16 of the DMACCxConfig Register. When a burst occurs, the AHB arbiter will not de-grant the master during the burst until the lock is deasserted. The DMA Controller can be locked for a single burst such as a long source fetch burst or a long destination drain burst. The DMA Controller does not usually assert the lock continuously for a source fetch burst followed by a destination drain burst.

There are situations when the DMA Controller asserts the lock for source transfers followed by destination transfers. This is possible when internal conditions in the DMA Controller permit it to perform a source fetch followed by a destination drain back-to-back.

4.20.2 Flow control and transfer type

[Table 24–379](#) lists the bit values of the three flow control and transfer type bits identified in [Table 24–378](#).

Table 379. Flow control and transfer type bits

Bit value	Transfer type	Controller
000	Memory to memory	DMA
001	Memory to peripheral	DMA
010	Peripheral to memory	DMA
011	Source peripheral to destination peripheral	DMA
100	Source peripheral to destination peripheral	Destination peripheral
101	Memory to peripheral	Peripheral
110	Peripheral to memory	Peripheral
111	Source peripheral to destination peripheral	Source peripheral

4.21 Peripheral Identification registers

The DMACPeriphID0-3 registers are four 8-bit registers that span address locations 0xFE0. The read-only registers provide the following options of the peripheral:

PartNumber[11:0]: This identifies the peripheral. The three digits product code 0x081 is used.

Designer ID[19:12]: This is the identification of the designer. ARM Limited is 0x41 (ASCII A).

Revision[23:20]: This is the revision number of the peripheral. The revision number starts from 0.

Configuration[31:24]: This is the configuration option of the peripheral.

The four, 8-bit DMACPeriphID0-3 Registers are described in the following sections:

4.21.1 Peripheral ID register 0 (DMACPeriphID0 - 0xFFE0 4FE0)

The DMACPeriphID0 Register is hard coded and the fields within the register determine the reset value. [Table 24–380](#) shows the bit assignments of the DMACPeriphID0 Register.

Table 380. Peripheral ID register 0 (DMACPeriphID0 - 0xFFE0 4FE0)

Bit	Name	Description
[31:8]	-	Reserved, read undefined.
[7:0]	PartNumber0	These bits read back as 0x81.

4.21.2 Peripheral ID register 1 (DMACPeriphID1 - 0xFFE0 4FE4)

The DMACPeriphID1 Register is hard coded and the fields within the register determine the reset value. [Table 24–381](#) shows the bit assignments of the DMACPeriphID1 Register.

Table 381. Peripheral ID register 1 (DMACPeriphID1 - 0xFFE0 4FE4)

Bit	Name	Description
[31:8]	-	Reserved, read undefined.
[7:4]	Designer0	These bits read back as 0x1.
[3:0]	PartNumber1	These bits read back as 0x0.

4.21.3 Peripheral ID register 2 (DMACPeriphID2 - 0xFFE0 4FE8)

The DMACPeriphID2 Register is hard coded and the fields within the register determine the reset value. [Table 24–382](#) shows the bit assignments of the DMACPeriphID2 Register.

Table 382. Peripheral ID register 2 (DMACPeriphID2 - 0xFFE0 4FE8)

Bit	Name	Description
[31:8]	-	Reserved, read undefined.
[7:4]	Revision	These bits read back as 0x1.
[3:0]	Designer1	These bits read back as 0x4.

4.21.4 Peripheral ID register 3 (DMACPeriphID3 - 0xFFE0 4FEC)

The DMACPeriphID3 Register is hard coded and the fields within the register determine the reset value. [Table 24–383](#) shows the bit assignments of the DMACPeriphID3 Register. The value of this register for this peripheral is 0x00.

Table 383. Peripheral ID register 3 (DMACPeriphID3 - 0xFFE0 4FEC)

Bit	Name	Description
[31:8]	-	Reserved, read undefined.
[7]	Configuration	Indicates the number of DMA source requestors for the GPDMA configuration: 0 = 16 DMA requestors. 1 = 32 DMA requestors. This is set to 0.

Table 383. Peripheral ID register 3 (DMACPeriphID3 - 0xFFE0 4FEC) ...continued

Bit	Name	Description
[6:4]	Configuration	Indicates the AHB master bus width: 000 = 32-bit wide. 001 = 64-bit wide. 010 = 128-bit wide. 011 = 256-bit wide. 100 = 512-bit wide. 101 = 1024-bit wide. This is set to 000.
[3]	Configuration	Indicates the number of AHB masters: 0 = one AHB master interface. 1 = two AHB master interfaces. This is set to 0.
[2:0]	Configuration	Indicates the number of channels: 000 = 2 channels. 001 = 4 channels. 010 = 8 channels. 011 = 16 channels. 100 = 32 channels. This is set to 000.

4.22 PrimeCell identification registers

The DMACPCellID0-3 Registers are four 8-bit wide registers, that span address locations 0xFF0. The registers can conceptually be treated as a 32-bit register. The register is used as a standard cross-peripheral identification system. The DMACPCellID Register is set to 0xB105F00D.

The four, 8-bit PrimeCell Identification Registers are described in the following sections:

4.22.1 PrimeCell ID register 0 (DMACPCellID0 - 0xFFE0 4FF0)

The DMACPCellID0 Register is hard coded and the fields within the register determine the reset value. [Table 24-384](#) shows the bit assignments of the DMACPCellID0 Register.

Table 384. PrimeCell ID register 0 (DMACPCellID0 - 0xFFE0 4FF0)

Bit	Name	Description
[31:8]	-	Reserved, read undefined.
[7:0]	DMACPCellID0	These bits read back as 0x0D.

4.22.2 PrimeCell ID register 1 (DMACPCellID1 - 0xFFE0 4FF4)

The DMACPCellID1 Register is hard coded, and the fields within the register determine the reset value. [Table 24-385](#) shows the bit assignments of the DMACPCellID1 Register.

Table 385. PrimeCell ID register 1 (DMACPCellID1 - 0xFFE0 4FF4)

Bit	Name	Description
[31:8]	-	Reserved, read undefined.
[7:0]	DMACPCellID1	These bits read back as 0xF0.

4.22.3 PrimeCell ID register 2 (DMACPCeIIID2 - 0xFFE0 4FF8)

The DMACPCeIIID2 Register is hard coded, and the fields within the register determine the reset value. [Table 24–386](#) shows the bit assignments of the DMACPCeIIID2 Register.

Table 386. PrimeCell ID register 2 (DMACPCeIIID2 - 0xFFE0 4FF8)

Bit	Name	Description
[31:8]	-	Reserved, read undefined.
[7:0]	DMACPCeIIID2	These bits read back as 0x05.

4.22.4 PrimeCell ID register 3 (DMACPCeIIID3 - 0xFFE0 4FFC)

The DMACPCeIIID3 Register is hard coded, and the fields within the register determine the reset value. [Table 24–387](#) shows the bit assignments of the DMACPCeIIID3 Register.

Table 387. PrimeCell ID register 3 (DMACPCeIIID3 - 0xFFE0 4FFC)

Bit	Name	Description
[31:8]	-	Reserved, read undefined.
[7:0]	DMACPCeIIID3	These bits read back as 0xB1.

5. Using the DMA controller

5.1 DMA efficiency

To optimize performance of the SDRAM when setting up an SDRAM transfer, it must be ensured that:

- The read/write width to/from SDRAM is the maximum possible. In general, word (32 bit) width is recommended.
- Both source and destination are accessed on the same master port. This ensures that the DMA will pump data in AHB bursts of 4 words or 8 halfwords whenever possible.

Note: Because of a limitation in the SDRAM controller, use of byte read/write is not recommended to or from SDRAM. The reason is that the DMA controller does not support an INC16 burst access, which can occur on the DMA master ports when using byte read/write to or from SDRAM.

5.2 Programming the DMA controller

All accesses to the DMA Controller internal register must be word (32-bit) reads and writes.

5.2.1 Enabling the DMA controller

To enable the DMA controller set the Enable bit in the DMACConfig register.

5.2.2 Disabling the DMA controller

To disable the DMA controller:

- Read the DMACEnbldChns register and ensure that all the DMA channels have been disabled. If any channels are active, see [Disabling a DMA channel](#).

- Disable the DMA controller by writing 0 to the DMA Enable bit in the DMACConfig register.

5.2.3 Enabling a DMA channel

To enable the DMA channel set the channel enable bit in the relevant DMA channel configuration register. Note that the channel must be fully initialized before it is enabled.

5.2.4 Disabling a DMA channel

A DMA channel can be disabled in three ways:

- By writing directly to the channel enable bit. Any outstanding data in the FIFO's is lost if this method is used.
- By using the active and halt bits in conjunction with the channel enable bit.
- By waiting until the transfer completes. This automatically clears the channel.

Disabling a DMA channel and losing data in the FIFO

Clear the relevant channel enable bit in the relevant channel configuration register. The current AHB transfer (if one is in progress) completes and the channel is disabled. Any data in the FIFO is lost.

Disabling the DMA channel without losing data in the FIFO

- Set the halt bit in the relevant channel configuration register. This causes any future DMA request to be ignored.
- Poll the active bit in the relevant channel configuration register until it reaches 0. This bit indicates whether there is any data in the channel that has to be transferred.
- Clear the channel enable bit in the relevant channel configuration register

5.2.5 Setting up a new DMA transfer

To set up a new DMA transfer:

If the channel is not set aside for the DMA transaction:

1. Read the DMACEnbldChns controller register and find out which channels are inactive.
2. Choose an inactive channel that has the required priority.
3. Program the DMA controller

5.2.6 Halting a DMA channel

Set the halt bit in the relevant DMA channel configuration register. The current source request is serviced. Any further source DMA request is ignored until the halt bit is cleared.

5.2.7 Programming a DMA channel

1. Choose a free DMA channel with the priority needed. DMA channel 0 has the highest priority and DMA channel 7 the lowest priority.
2. Clear any pending interrupts on the channel to be used by writing to the DMACIntTCClear and DMACIntErrClear register. The previous channel operation might have left interrupt active.

3. Write the source address into the DMACCxSrcAddr register.
4. Write the destination address into the DMACCxDestAddr register.
5. Write the address of the next LLI into the DMACCxLLI register. If the transfer comprises of a single packet of data then 0 must be written into this register.
6. Write the control information into the DMACCxControl register.
7. Write the channel configuration information into the DMACCxConfig register. If the enable bit is set then the DMA channel is automatically enabled.

5.3 Flow control

The peripheral that controls the length of the packet is known as the flow controller. The flow controller is usually the DMA Controller where the packet length is programmed by software before the DMA channel is enabled. If the packet length is unknown when the DMA channel is enabled, either the source or destination peripherals can be used as the flow controller.

For simple or low-performance peripherals that know the packet length (that is, when the peripheral is the flow controller), a simple way to indicate that a transaction has completed is for the peripheral to generate an interrupt and enable the processor to reprogram the DMA channel.

The transfer size value (in the DMACCxControl register) is ignored if a peripheral is configured as the flow controller.

When the DMA transfer is completed:

1. The DMA Controller issues an acknowledge to the peripheral in order to indicate that the transfer has finished.
2. A TC interrupt is generated, if enabled.
3. The DMA Controller moves on to the next LLI.

The following sections describe the DMA Controller data flow sequences for the four allowed transfer types:

- Memory-to-peripheral.
- Peripheral-to-memory.
- Memory-to-memory.
- Peripheral-to-peripheral.

Each transfer type can have either the peripheral or the DMA Controller as the flow controller so there are eight possible control scenarios.

[Table 24–388](#) indicates the request signals used for each type of transfer.

Table 388. DMA request signal usage

Transfer direction	Request generator	Flow controller
Memory-to-peripheral	Peripheral	DMA Controller
Memory-to-peripheral	Peripheral	Peripheral
Peripheral-to-memory	Peripheral	DMA Controller
Peripheral-to-memory	Peripheral	Peripheral

Table 388. DMA request signal usage ...continued

Transfer direction	Request generator	Flow controller
Memory-to-memory	DMA Controller	DMA Controller
Source peripheral to destination peripheral	Source peripheral and destination peripheral	Source peripheral
Source peripheral to destination peripheral	Source peripheral and destination peripheral	Destination peripheral
Source peripheral to destination peripheral	Source peripheral and destination peripheral	DMA Controller

5.3.1 Peripheral-to-memory or memory-to-peripheral DMA flow

For a peripheral-to-memory or memory-to-peripheral DMA flow, the following sequence occurs:

1. Program and enable the DMA channel.
2. Wait for a DMA request.
3. The DMA Controller starts transferring data when:
 - The DMA request goes active.
 - The DMA stream has the highest pending priority.
 - The DMA Controller is the bus master of the AHB bus.
4. If an error occurs while transferring the data, an error interrupt is generated and disables the DMA stream, and the flow sequence ends.
5. Decrement the transfer count if the DMA Controller is performing the flow control.
6. If the transfer has completed (indicated by the transfer count reaching 0, if the DMA Controller is performing flow control, or by the peripheral sending a DMA request, if the peripheral is performing flow control):
 - The DMA Controller responds with a DMA acknowledge.
 - The terminal count interrupt is generated (this interrupt can be masked).
 - If the DMACCxLLI Register is not 0, then reload the DMACCxSrcAddr, DMACCxDestAddr, DMACCxLLI, and DMACCxControl registers and go to back to step 2. However, if DMACCxLLI is 0, the DMA stream is disabled and the flow sequence ends.

5.3.2 Peripheral-to-peripheral DMA flow

For a peripheral-to-peripheral DMA flow, the following sequence occurs:

1. Program and enable the DMA channel.
2. Wait for a source DMA request.
3. The DMA Controller starts transferring data when:
 - The DMA request goes active.
 - The DMA stream has the highest pending priority.
 - The DMA Controller is the bus master of the AHB bus.
4. If an error occurs while transferring the data an error interrupt is generated, the DMA stream is disabled, and the flow sequence ends.
5. Decrement the transfer count if the DMA Controller is performing the flow control.

6. If the transfer has completed (indicated by the transfer count reaching 0 if the DMA Controller is performing flow control, or by the peripheral sending a DMA request if the peripheral is performing flow control):
 - The DMA Controller responds with a DMA acknowledge to the source peripheral.
 - Further source DMA requests are ignored.
7. When the destination DMA request goes active and there is data in the DMA Controller FIFO, transfer data into the destination peripheral.
8. If an error occurs while transferring the data, an error interrupt is generated, the DMA stream is disabled, and the flow sequence ends.
9. If the transfer has completed it is indicated by the transfer count reaching 0 if the DMA Controller is performing flow control, or by the sending a DMA request if the peripheral is performing flow control. The following happens:
 - The DMA Controller responds with a DMA acknowledge to the destination peripheral.
 - The terminal count interrupt is generated (this interrupt can be masked).
 - If the DMACCxLLI Register is not 0, then reload the DMACCxSrcAddr, DMACCxDestAddr, DMACCxLLI, and DMACCxControl Registers and go to back to step 2. However, if DMACCxLLI is 0, the DMA stream is disabled and the flow sequence ends.

5.3.3 Memory-to-memory DMA flow

For a memory-to-memory DMA flow the following sequence occurs:

1. Program and enable the DMA channel.
2. Transfer data whenever the DMA channel has the highest pending priority and the DMA Controller gains mastership of the AHB bus.
3. If an error occurs while transferring the data, generate an error interrupt and disable the DMA stream.
4. Decrement the transfer count.
5. If the count has reached zero:
 - Generate a terminal count interrupt (the interrupt can be masked).
 - If the DMACCxLLI Register is not 0, then reload the DMACCxSrcAddr, DMACCxDestAddr, DMACCxLLI, and DMACCxControl Registers and go to back to step 2. However, if DMACCxLLI is 0, the DMA stream is disabled and the flow sequence ends.

Note: Memory-to-memory transfers should be programmed with a low channel priority, otherwise other DMA channels cannot access the bus until the memory-to-memory transfer has finished, or other AHB masters cannot perform any transaction.

5.4 Interrupt requests

Interrupt requests can be generated when an AHB error is encountered or at the end of a transfer (terminal count), after all the data corresponding to the current LLI has been transferred to the destination. The interrupts can be masked by programming bits in the relevant DMACCxControl and DMACCxConfig Channel Registers. Interrupt status registers are provided which group the interrupt requests from all the DMA channels prior

to interrupt masking (DMACRawIntTCStat and DMACRawIntErrStat), and after interrupt masking (DMACIntTCStat and DMACIntErrStat). The DMACIntStat Register combines both the DMACIntTCStat and DMACIntErrStat requests into a single register to enable the source of an interrupt to be quickly found. Writing to the DMACIntTCClear or the DMACIntErrClr Registers with a bit set HIGH enables selective clearing of interrupts.

5.4.1 Hardware interrupt sequence flow

When a DMA interrupt request occurs, the Interrupt Service Routine needs to:

1. Read the DMACIntTCStat Register to determine whether the interrupt was generated due to the end of the transfer (terminal count). A HIGH bit indicates that the transfer completed. If more than one request is active, it is recommended that the highest priority channels be checked first.
2. Read the DMACIntErrStat Register to determine whether the interrupt was generated due to an error occurring. A HIGH bit indicates that an error occurred.
3. Service the interrupt request.
4. For a terminal count interrupt, write a 1 to the relevant bit of the DMACIntTCClr Register. For an error interrupt write a 1 to the relevant bit of the DMACIntErrClr Register to clear the interrupt request.

5.5 Address generation

Address generation can be either incrementing or non-incrementing (address wrapping is not supported).

Some devices, especially memories, disallow burst accesses across certain address boundaries. The DMA controller assumes that this is the case with any source or destination area, which is configured for incrementing addressing. This boundary is assumed to be aligned with the specified burst size. For example, if the channel is set for 16-transfer burst to a 32-bit wide device then the boundary is 64-bytes aligned (that is address bits [5:0] equal 0). If a DMA burst is to cross one of these boundaries, then, instead of a burst, that transfer is split into separate AHB transactions.

Note: When transferring data to or from the SDRAM, the SDRAM access must always be programmed to 32 bit accesses. The SDRAM memory controller does not support AHB-INCR4 or INCR8 bursts using halfword or byte transfer-size. Start address in SDRAM should always be aligned to a burst boundary address.

5.5.1 Word-aligned transfers across a boundary

The channel is configured for 16-transfer bursts, each transfer 32-bits wide, to a destination for which address incrementing is enabled. The start address for the current burst is 0x0C000024, the next boundary (calculated from the burst size and transfer width) is 0x0C000040.

The transfer will be split into two AHB transactions:

- a 7-transfer burst starting at address 0x0C000024
- a 9-transfer burst starting at address 0x0C000040.

5.6 Scatter/gather

Scatter/gather is supported through the use of linked lists. This means that the source and destination areas do not have to occupy contiguous areas in memory. Where scatter/gather is not required, the DMACCxLLI Register must be set to 0.

The source and destination data areas are defined by a series of linked lists. Each Linked List Item (LLI) controls the transfer of one block of data, and then optionally loads another LLI to continue the DMA operation, or stops the DMA stream. The first LLI is programmed into the DMA Controller.

The data to be transferred described by a LLI (referred to as the packet of data) usually requires one or more DMA bursts (to each of the source and destination).

5.6.1 Linked list items

A Linked List Item (LLI) consists of four words. These words are organized in the following order:

1. DMACCxSrcAddr.
2. DMACCxDestAddr.
3. DMACCxLLI.
4. DMACCxControl.

Note: The DMACCxConfig DMA channel Configuration Register is not part of the linked list item.

5.6.1.1 Programming the DMA controller for scatter/gather DMA

To program the DMA Controller for scatter/gather DMA:

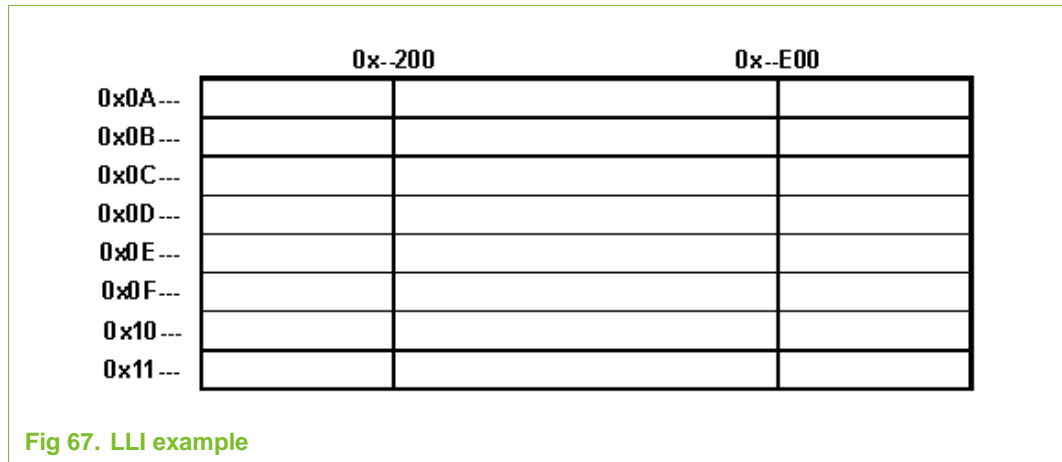
1. Write the LLIs for the complete DMA transfer to memory. Each linked list item contains four words:
 - Source address.
 - Destination address.
 - Pointer to next LLI.
 - Control word.

The last LLI has its linked list word pointer set to 0.

2. Choose a free DMA channel with the priority required. DMA channel 0 has the highest priority and DMA channel 7 the lowest priority.
3. Write the first linked list item, previously written to memory, to the relevant channel in the DMA Controller.
4. Write the channel configuration information to the channel Configuration Register and set the Channel Enable bit. The DMA Controller then transfers the first and then subsequent packets of data as each linked list item is loaded.
5. An interrupt can be generated at the end of each LLI depending on the Terminal Count bit in the DMACCxControl Register. If this bit is set an interrupt is generated at the end of the relevant LLI. The interrupt request must then be serviced and the relevant bit in the DMACIntTCClear Register must be set to clear the interrupt.

5.6.1.2 Example of scatter/gather DMA

See [Figure 24–67](#) for an example of an LLI. A rectangle of memory has to be transferred to a peripheral. The addresses of each line of data are given, in hexadecimal, at the left-hand side of the figure. The LLIs describing the transfer are to be stored contiguously from address 0x20000.



The first LLI, stored at 0x20000, defines the first block of data to be transferred, which is the data stored between addresses 0x0A200 and 0x0AE00:

- Source start address 0x0A200.
- Destination address set to the destination peripheral address.
- Transfer width, word (32-bit).
- Transfer size, 3072 bytes (0xC00).
- Source and destination burst sizes, 16 transfers.
- Next LLI address, 0x20010.

The second LLI, stored at 0x20010, describes the next block of data to be transferred:

- Source start address 0x0B200.
- Destination address set to the destination peripheral address.
- Transfer width, word (32-bit).
- Transfer size, 3072 bytes (0xC00).
- Source and destination burst sizes, 16 transfers.
- Next LLI address, 0x20020.

A chain of descriptors is built up, each one pointing to the next in the series. To initialize the DMA stream, the first LLI, 0x20000, is programmed into the DMA Controller. When the first packet of data has been transferred the next LLI is automatically loaded.

The final LLI is stored at 0x20070 and contains:

- Source start address 0x11200.
- Destination address set to the destination peripheral address.
- Transfer width, word (32-bit).

- Transfer size, 3072 bytes (0xC00).
- Source and destination burst sizes, 16 transfers.
- Next LLI address, 0x0.

Because the next LLI address is set to zero, this is the last descriptor, and the DMA channel is disabled after transferring the last item of data. The channel is probably set to generate an interrupt at this point to indicate to the ARM processor that the channel can be reprogrammed.

1. Features

- Low noise A/D converter.
- Maximum 10-bit resolution, resolution can be reduced to any amount down to 3 bits for faster conversion.
- Three input channels.

2. Description

The ADC is a 3 channel, 10-bit successive approximation A/D Converter. The ADC may be configured to produce results with a resolution anywhere from 10 bits to 3 bits. When high resolution is not needed, lowering the resolution can substantially reduce conversion time.

The analog portion of the ADC has its own power supply to enhance the low noise characteristics of the converter. This voltage is only supplied internally when the core has voltage. However, the ADC block is not affected by any difference in ramp-up time for VDD_AD and VDD_CORE voltage supplies.

Conversion time of the A/D converter depends on the required resolution. The conversion takes (N+1) clock times of the RTC_CLK, where N is the number of result bits requested. This is 11 clock times for the full 10-bit conversion.

[Figure 25–68](#) shows the block diagram of the A/D Converter.

3. Pin description

Table 389. A/D pin description

Pin name	Type	Description
ADIN0	Analog Input	This pin is A/D input 0. This pin should be tied to ground if it is not used.
ADIN1	Analog Input	This pin is A/D input 1. This pin should be tied to ground if it is not used.
ADIN2	Analog Input	This pin is A/D input 2. This pin should be tied to ground if it is not used.
VDD_AD28	Power	This is the VDD supply for the ADC, also acting as the positive reference voltage.
VSS_AD	Power	This is the VSS supply for the ADC, also acting as the negative reference voltage.

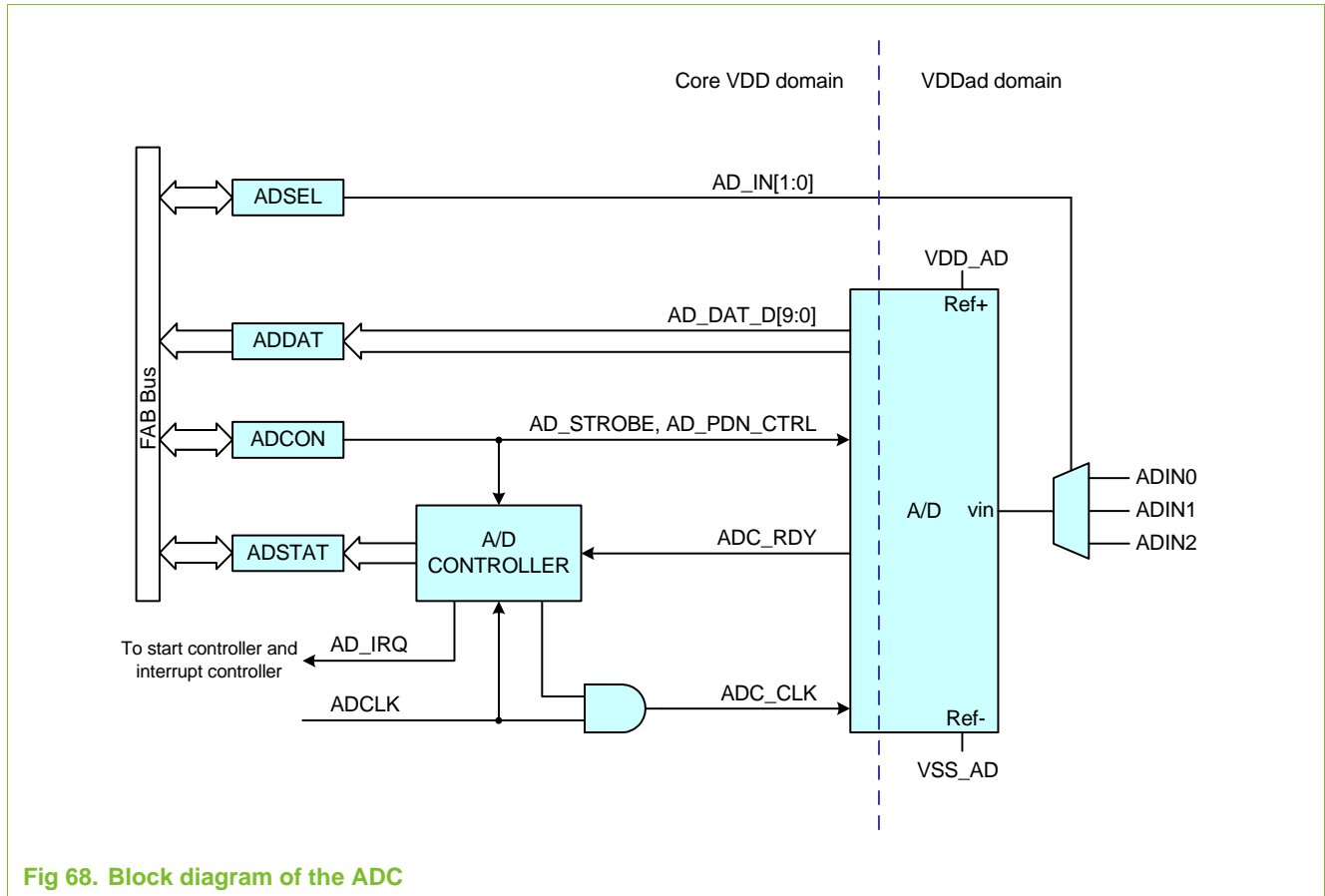


Fig 68. Block diagram of the ADC

4. Register description

[Table 25–390](#) shows the registers associated with the A/D Converter and a summary of their functions. Following the table are details for each register.

Table 390. A/D registers

Address offset	Name	Description	Reset value	Type
0x4004 8000	ADSTAT	A/D status register	0x080	R
0x4004 8004	ADSEL	A/D Select Register	0x04	R/W
0x4004 8008	ADCON	A/D Control Register	0x0000	R/W
0x4004 8048	ADDAT	A/D Data Register	0x00000	R/-

4.1 A/D Status Register (ADSTAT - 0x4004 8000)

The ADSTAT register contains information about the activities of the A/D Converter. The function of bits in ADSTAT are shown in [Table 25–391](#).

Table 391. A/D Status Register (ADSTAT - 0x4004 8000)

Bits	Function	Description	Reset value
31:7	Reserved	Reserved. The value read from a reserved bit is not defined.	-
6:4	ADC Status	These bits indicate the status of current ADC activity and are set by hardware. 0x0: A/D stopped 0x1: Input rise time delay 0x2: Sample and hold 0x3: Conversion in progress 0x4: Delay for ADC ready	0x0
3:0	Reserved	Reserved. The value read from a reserved bit is not defined.	-

4.2 A/D Select Register (ADSEL - 0x4004 8004)

The ADSEL register provides a means of selecting an A/D channel to be used for the next conversion. Other bits in ADSEL control internal A/D functions and must be set to the values indicated for proper A/D operation. The function of bits in ADSEL are shown in [Table 25–392](#).

Table 392. A/D Select Register (ADSEL - 0x4004 8004)

Bits	Function	Description	Reset value
31:10	Reserved	Reserved, user software should not write ones to reserved bits. The value read from a reserved bit is not defined.	-
9:8	AD_Ref-	Selects the A/D negative reference voltage. Must be set to 10 if ADC is used (VSS_AD). Settings 11, 01, and 00 are undefined. Do not use.	00
7:6	AD_Ref+	Selects the A/D positive reference voltage. Must be set to 10 if ADC is used (VDD_AD). Settings 11, 01, and 00 are undefined. Do not use.	00
5:4	AD_IN	Selects the A/D input as follows: 00 - ADIN0 01 - ADIN1 10 - ADIN2 11 - Not used	00
3:0	-	A/D internal controls. Must not be changed from the reset value.	0x4

4.3 A/D Control register (ADCON - 0x4004 8008)

The ADCON register contains bits that control the power state of the A/D, start an A/D conversion, and select the resolution of the A/D conversion. The function of bits in ADCON are shown in [Table 25–393](#).

Table 393. A/D Control register (ADCON - 0x4004 8008)

Bits	Function	Description	Reset value
31:10	Reserved	Reserved, user software should not write ones to reserved bits. The value read from a reserved bit is not defined.	-
9:7	AD_ACC	These bits sets the number of bits delivered by the ADC for all modes doing X direction measurement. Fewer ADC bits used means fewer clocks to the ADC and faster acquire time. Note that the MSB bits used will stay in the same bit position in all registers. (They are not shifted down) 000 = ADC delivers 10 bits. Conversion time is TBD. 001 = ADC delivers 9 bits. Conversion time is TBD. 010 = ADC delivers 8 bits. Conversion time is TBD. 011 = ADC delivers 7 bits. Conversion time is TBD. 100 = ADC delivers 6 bits. Conversion time is TBD. 101 = ADC delivers 5 bits. Conversion time is TBD. 110 = ADC delivers 4 bits. Conversion time is TBD. 111 = ADC delivers 3 bits. Conversion time is TBD	000
6:3	-	Internal A/D controls. Must be set to 0x0.	0x0
2	AD_PDN_CTRL	0 = the ADC is in power down. 1 = the ADC is powered up and reset.	0
1	AD_STROBE	Setting this bit to logic 1 will start an A/D conversion. The bit is reset by hardware when the A/D conversion has started.	0
0	-	Internal A/D control. Must be set to 0.	0

4.4 A/D Data register (ADDAT - 0x4004 8048)

The ADDAT register contains the result of the last completed A/D conversion. The result field in ADDAT is shown in [Table 25–394](#).

Table 394. A/D Data register (ADDAT - 0x4004 8048)

Bits	Function	Description	Reset value
31:10	Reserved	Reserved, user software should not write ones to reserved bits. The value read from a reserved bit is not defined.	-
9:0	ADC_VALUE	The ADC value of the last conversion.	

5. A/D conversion sequence

The following is an example sequence of setting up the ADC, starting a conversion, and acquiring the result value.

- Write a value to the AD_IN field of the ADSEL register to select the desired A/D channel to convert. Make sure to include the required values of other fields in the register.
- Write a value to the ADSEL register to select the desired resolution in the AD_ACC field. Ones in the AD_PDN_CTRL and AD_STROBE bits turn on and start the A/D converter.

- Wait for an A/D interrupt, or poll the ADSTAT register to determine when the conversion is complete.
- Read the conversion result in the ADDAT register. Remember that the result is in a 10-bit format even if the selected resolution is less than 10 bits.

1. Features

- Loads external program to internal RAM (IRAM) and executes it.
- External program source could be NAND Flash or UART5.

2. Description

A built-in ROM of 16 kB contains the necessary code to start running code from NAND FLASH or to download code from UART5 to IRAM if in UART mode. The code downloaded to IRAM will typically be FLASH programming software.

After reset, execution always begins from internal ROM. The program in the ROM is called the bootstrap and is described below.

2.1 Bootstrap

The bootstrap software first reads input GPIO_01. If GPIO_01 is high, the bootstrap starts NAND FLASH booting.

Otherwise, the RTC_KEY register value is checked to see if the RTC retains information from any previous initialization done by application software. This is flagged by the value 0xB5C13F27 in the RTC_KEY register. If the RTC has not been set up by application software, the RTC is reset via the “software controlled RTC reset” bit in the RTC_CTL register.

Next, the bootstrap first sets the ONSW output pin high. The Bootstrap then sets up the USB transceiver to UART mode using I²C, see chapter *USB OTG Controller* for more details (if no transceiver is connected or the transceiver is not OTG compliant, it will skip setup of USB transceiver). After that the bootstrap starts performing the data download protocol, expecting an external device to be connected to either UART5 or the USB transceiver. In the data download protocol the boot_id is sent and an 'A' is expected as a response. If this 'A' is received, the boot_id is retransmitted and a 'U' and a '3' should be returned. If the 'U' and the '3' are received an 'R' is sent. A start address, 32 bits, followed by 32 bits containing the number of bytes of code should be returned. At this point, the code can be sent. The received code is stored byte by byte starting from the start address, and when the correct number of bytes is received, execution is transferred to the start address, and the downloaded program is executed. If the 'A', 'U', '3' sequence not is received within one second, there will be a time-out, and the bootstrap jumps to the NAND FLASH boot procedure. For download protocol parameters, see [Table 26–396](#).

Table 395. UART boot handshake

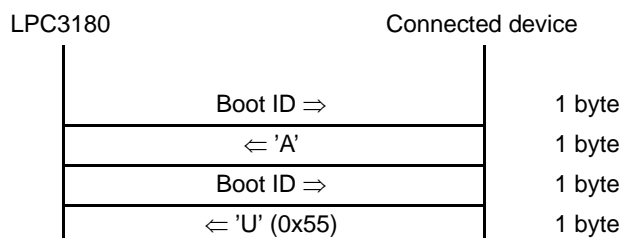


Table 395. UART boot handshake

← '3' (0x33)	1 byte
'R' (0x52) ⇒	1 byte
← start address	4 bytes
← code size	4 bytes
← code	

Table 396. Bootstrap download protocol communication parameters for UART5

Parameter	Description
Data bits	8
Parity	None
Stop bits	1
Speed	115200 (Uart5 divisor registers are programmed for 13MHz crystal frequency)
Start address	32 bits. Least significant byte first
Number of bytes	32 bits. Least significant byte first

2.2 UART boot procedure

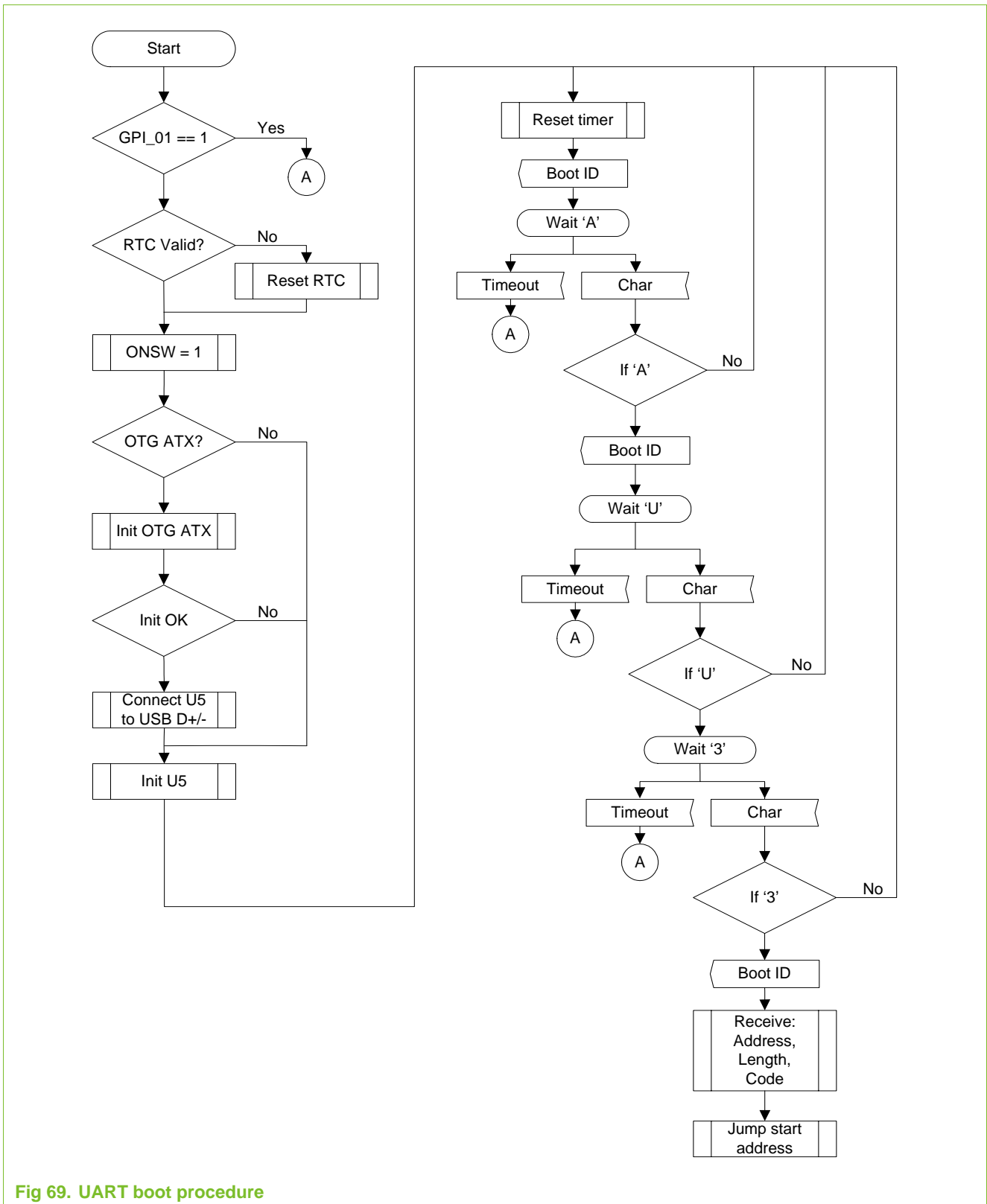


Fig 69. UART boot procedure

2.3 NAND flash boot procedure

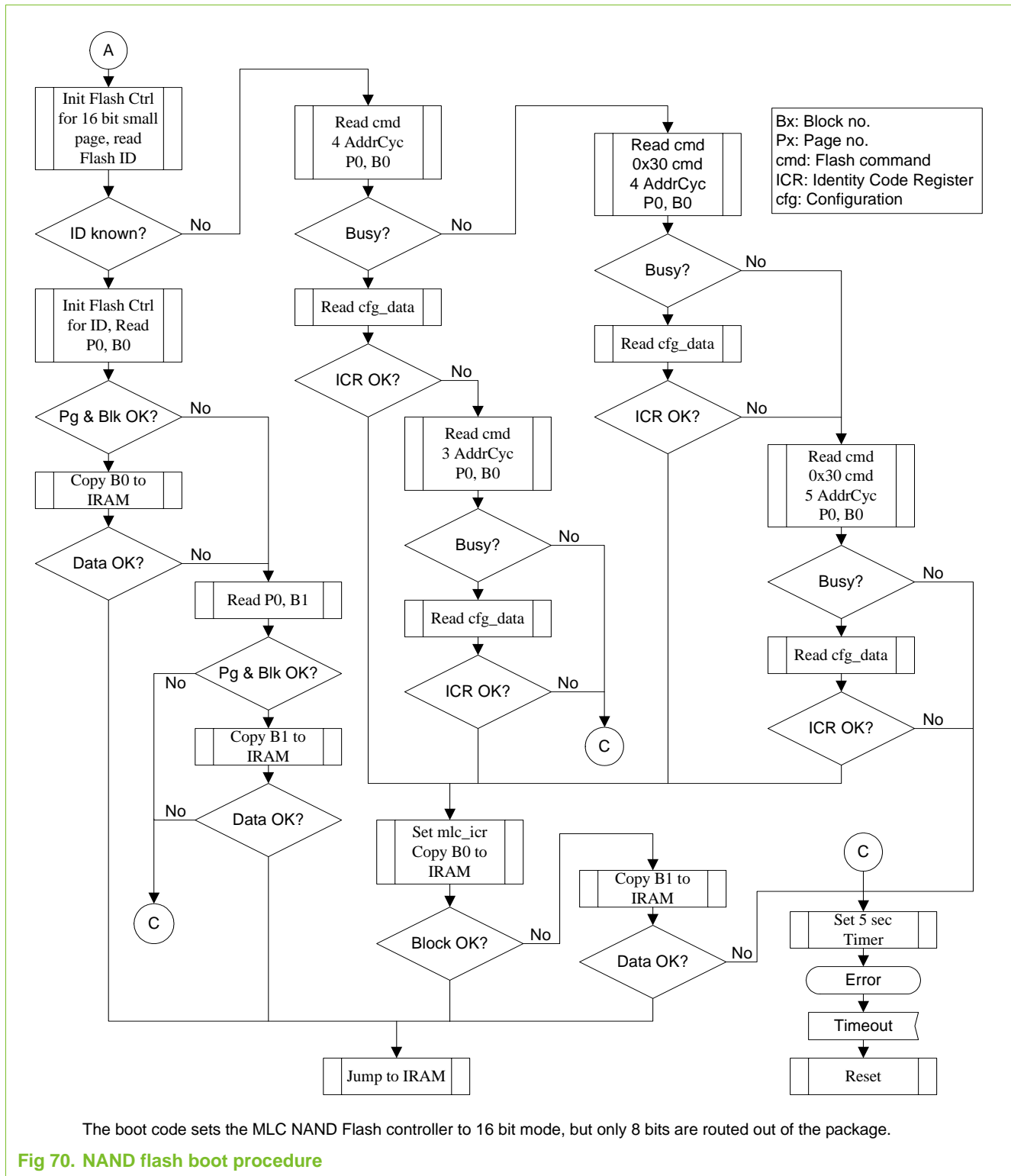


Table 397. NAND flash devices recognized by the bootloader

Manufacturer	Flash number	Flash size	FLASH IO with	FLASH Maker Code	FLASH Device Code	Address cycle	use 0x30 command
SAMSUNG	K9F5608Q0B	256 Mbit	8 bit	ECh	35h	3	no
SAMSUNG	K9K1208Q0C	512 Mbit	8 bit	ECh	36h	4	no
SAMSUNG	K9F1208Q0C	512 Mbit	8 bit	ECh	36h	4	no
SAMSUNG	K9F1G08Q0C	1Gbit	8 bit	ECh	A1h	4	Yes
SAMSUNG	K9F2G08Q0C	2 Gbit	8 bit	ECh	AAh	5	Yes

2.3.1 How the flash boot procedure reads data from flash and stores to IRAM

While booting from NAND Flash, the boot code needs to find out how many pages to copy and the type of NAND Flash. The first page in the first block or the second block of the NAND Flash shall contain the information needed for the boot code to work.

The boot code reads out the first page with the MLC NAND Flash controller configured in 16-bit mode. This means that only the first byte in word 0, word 2, word 4 ... etc. contains the data needed for the bootloader.

Table 398. 8-bit flash read as 16-bit flash

word 0	word 1	word 2	word 3	word 4	word 5	word 6	word 7	word 8	word 9
XX	XX	XX	XX	XX	XX	XX	XX	XX	XX
	d0		d1		d2		d3		d4

Once the ICR is read, the boot code sets the MLC NAND Flash controller to the appropriate mode and copies the required amount of code to IRAM. The code must be stored using the Reed-Solomon Encoding implemented in the MLC NAND Flash controller. The boot code is not capable of skipping over bad blocks. Therefore, a secondary boot code which is capable of skipping over bad blocks should be implemented. The NAND Flash devices are shipped from the factory with Block 0 always valid. The block size of the Small Page NAND Flash is 16 kB and the block size of the Large Page NAND Flash is 128 kB. The secondary boot code should not exceed 15.5 kB (Small page) or 126 kB (Large page).

2.3.2 How to store Interface Configuration data (ICR) in the flash

Data d0 to d3 are the ICR and nICR. These data are used to decide which Flash is connected and what read algorithm to use to read out the Flash contents when the Flash ID is not known by the boot code.

The ICR and nICR are stored four times into the Flash. This reduces the chance for bit errors to be fatal in the boot up sequence.

Table 399. Interface Configuration data (ICR)

Bit 7 = nbit 4	Bit 6 = nbit 2	Bit 5 = nbit 1	Bit 4 = nbit 0	ICR bit 3	ICR bit 2 small/large page	ICR bit 1 3/4 address	ICR bit0 8/16 bit	
1	1	1	1	0	0	0	0	small page, 3 address cycles, 8 bit interface
1	1	0	1	0	0	1	0	small page, 4 address cycles, 8 bit interface
1	0	1	1	0	1	0	0	large page, 4 address cycles, 8 bit interface
1	0	0	1	0	1	1	0	large page, 5 address cycles, 8 bit interface

2.3.3 How to store size information in the flash

Data d4 to d11 is used to store the size of the code to be copied from Flash to IRAM by the boot code. The size is specified in a number of pages.

d4, d6, d8 and d10 shall be programmed to contain the size information.

d5, d7, d9 and d11 shall be programmed to contain the inverse of the size information.

The boot code XORs d4 and d5 and if the answer is 0xff then the right size information is in d4. If the XOR between d4 and d5 is not 0xff, then the boot code does an XOR between d6 and d7 and test against 0xff. If the results is 0xff then the right size information is in d6. If none of the d4 d5, d6 d7, d8, d9, d10 and d11 gives a XOR value equal to 0xff then the size of the transfer is unknown and the boot code fails.

2.3.4 How to store bad_block information

Data d12 holds the bad_block information for block 0. If block 0 is ok then d12 must be programmed to 0xaa.

2.3.5 Boot block register map

The Boot Block Registers are implemented as ROM locations in the IROM, not as real registers.

Table 400. Interface Configuration data (ICR)

Address	Section	Functional block	Register	Type	Width	Reset value
0x0C00 3FFC	AHB-1	Boot	BOOT_ID	R	31:0	0x34 = '4'

Register name: **BOOT_ID**

Function: Boot identification register

Table 401. BOOT_ID

Bit #	Bit name	Function
31:0	Boot_id	Boot_id = 0x34 = '4' The Boot_id is the version number of the boot code software. It will be changed only when a change is made in the boot code.

1. Features

- No target resources are required by the software debugger in order to start the debugging session.
- Allows the software debugger to talk via a JTAG (Joint Test Action Group) port directly to the core.
- Inserts instructions directly in to the ARM core.
- The ARM core or the System state can be examined, saved or changed depending on the type of instruction inserted.
- Allows instruction to execute at a slow debug speed or at a fast system speed.

2. Applications

The EmbeddedICE-RT logic provides on-chip debug support. The debugging of the target system requires a host computer running the debugger software and an EmbeddedICE-RT protocol converter. EmbeddedICE-RT protocol converter converts the Remote Debug Protocol commands to the JTAG data needed to access the ARM core present on the target system.

3. Description

The ARM Debug Architecture uses a JTAG port as a method of accessing the core. The scan chains that are around the core for production test are reused in the debug state to capture information from the databus and to insert new information into the core or the memory. There are two JTAG-style scan chains within the ARM core. A JTAG-style Test Access Port Controller controls the scan chains. In addition to the scan chains, the debug architecture uses EmbeddedICE-RT logic which resides on chip with the ARM core. The EmbeddedICE-RT has its own scan chain that is used to insert watchpoints and breakpoints for the ARM core.²¹ The EmbeddedICE-RT logic consists of two real time watchpoint registers, together with a control and status register. One or both of the watchpoint registers can be programmed to halt the ARM core. Execution is halted when a match occurs between the values programmed into the EmbeddedICE-RT logic and the values currently appearing on the address bus, databus and some control signals. Any bit can be masked so that its value does not affect the comparison. Either watchpoint register can be configured as a watchpoint (i.e. on a data access) or a break point (i.e. on an instruction fetch). The watchpoints and breakpoints can be combined such that:

The conditions on both watchpoints must be satisfied before the ARM core is stopped. The CHAIN functionality requires two consecutive conditions to be satisfied before the core is halted. An example of this would be to set the first breakpoint to trigger on an access to a peripheral and the second to trigger on the code segment that performs the task switching. Therefore when the breakpoints trigger, the information regarding which task has switched out will be ready for examination.

21.For more details refer to IEEE Standard 1149.1 - 1990 Standard Test Access Port and Boundary Scan Architecture.

The watchpoints can be configured such that a range of addresses are enabled for the watchpoints to be active. The RANGE function allows the breakpoints to be combined such that a breakpoint is to occur if an access occurs in the bottom 256 bytes of memory but not in the bottom 32 bytes.

The ARM core has a Debug Communication Channel function built in. The debug communication channel allows a program running on the target to communicate with the host debugger or another separate host without stopping the program flow or even entering the debug state. The debug communication channel is accessed as a co-processor 14 by the program running on the ARM core. The debug communication channel allows the JTAG port to be used for sending and receiving data without affecting the normal program flow. The debug communication channel data and control registers are mapped in to addresses in the EmbeddedICE-RT logic.

4. Pin description

Table 402. EmbeddedICE-RT pin description

Pin name	Type	Description
TMS	Input	Test Mode Select. The TMS pin selects the next state in the TAP state machine.
TCK	Input	Test Clock. This allows shifting of the data in, on the TMS and TDI pins. It is a positive edge-triggered clock with the TMS and TCK signals that define the internal state of the device.
TDI	Input	Test Data In. This is the serial data input for the shift register.
TDO	Output	Test Data Output. This is the serial data output from the shift register. Data is shifted out of the device on the negative edge of the TCK signal
TRST	Input	Test Reset. The TRST pin can be used to reset the test logic within the EmbeddedICE-RT logic.
RTCK	Output	Returned Test Clock Extra signal added to the JTAG port. Required for designs based on ARM processor core. Development systems can use this signal to maintain synchronization with targets. For details refer to "Multi-ICE System Design considerations Application Note 72 (ARM DAI 0072A)".

5. Block diagram

The block diagram of the debug environment is shown below in [Figure 27-71](#).

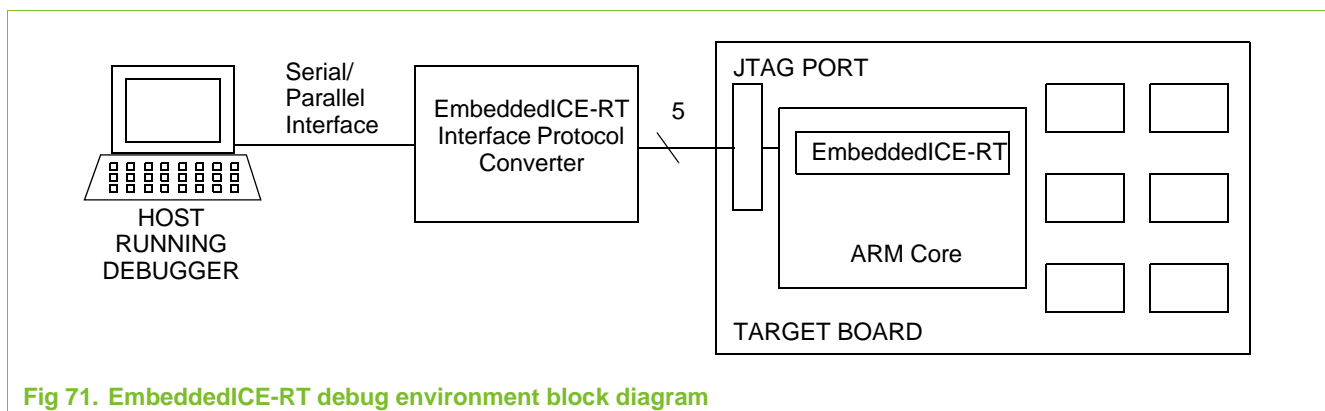


Fig 71. EmbeddedICE-RT debug environment block diagram

1. Features

- Closely tracks the instructions that the ARM core is executing.
- On-chip trace data storage (ETB).
- All registers are programmed through JTAG interface.
- Does not consume power when trace is not being used.
- THUMB/Java instruction set support.

2. Applications

As the microcontroller has significant amounts of on-chip memory, it is not possible to determine how the processor core is operating simply by observing the external pins. The ETM provides real-time trace capability for deeply embedded processor cores. It outputs information about processor execution to a trace port. A software debugger allows configuration of the ETM using a JTAG interface and displays the trace information that has been captured, in a format that a user can easily understand. The ETB stores trace data produced by the ETM.

3. Description

The ETM is connected directly to the ARM core and not to the main AMBA system bus. It compresses the trace information and exports it through a narrow trace port. An internal Embedded Trace Buffer captures the trace information under software debugger control. ETM can broadcast the Instruction/data trace information. Bytecodes executed while in Java state can also be traced. The trace contains information about when the ARM core switches between states. Instruction trace (or PC trace) shows the flow of execution of the processor and provides a list of all the instructions that were executed. Instruction trace is significantly compressed by only broadcasting branch addresses as well as a set of status signals that indicate the pipeline status on a cycle by cycle basis. For data accesses either data or address or both can be traced. Trace information generation can be controlled by selecting the trigger resource. Trigger resources include address/data comparators, counters and sequencers. Since trace information is compressed the software debugger requires a static image of the code being executed. Self-modifying code can not be traced because of this restriction.

3.1 ETM9 configuration

The following standard configuration is selected for the ETM9 macrocell.

Table 403. ETM configuration

Resource description	Qty. ^[1]
Pairs of address comparators	8
Data Comparators	8
Memory Map Decoders	16

Table 403. ETM configuration ...continued

Resource description	Qty. ^[1]
Counters	4
Sequencer Present	Yes
External Inputs	4 (Not brought out)
External Outputs	4 (Not brought out)
FIFOFULL Present	Yes
FIFO depth	45 bytes
Trace Packet Width	4/8/16 (Trace pins are not brought out)

[1] For details refer to ARM documentation "Embedded Trace Macrocell Specification (ARM IHI 0014E)".

3.2 ETB configuration

The ETB has a 2048 × 24 bit RAM for instruction/data history storage.

4. Block diagram

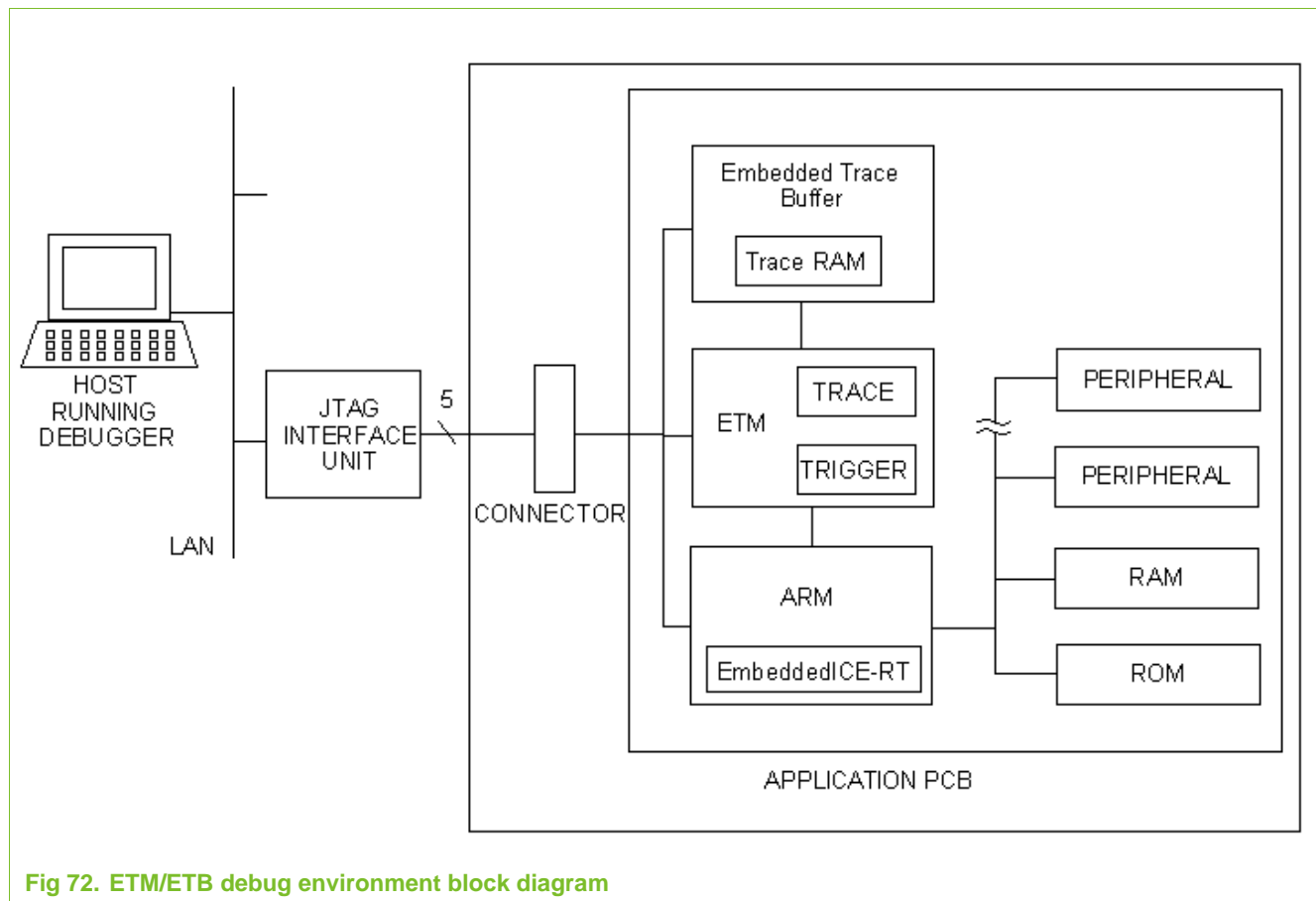


Fig 72. ETM/ETB debug environment block diagram

5. Register description

5.1 Debug Control register (DEBUG_CTRL, RW - 0x4004 0000)

Table 404. Debug Control register (DEBUG_CTRL, RW - 0x4004 0000)

Bits	Description	Reset value
4	VFP9_CLKEN Controls VFP9 GCLK 0: CLK to VFP9 stopped 1: CLK enabled. (Default)	1
3	VFP_BIGEND Controls endianness of VFP 0: VFP use same endianness as the ARM926 (Default) 1: Force big endian. The combination: VFP_BIGEND = 1 and VFP9_CLKEN = 0 makes the ARM input CPEN low. This may save some power when VFP is not in use.	0
2	ARMDBG_DIS Controls if the debug logic is enabled or not. The core current is less with debug off. 0: ARM debug logic is on. (Default) 1: ARM debug logic is off.	0
1	Reserved	0
0	Reserved	0

5.2 Master Grant Debug Mode register (DEBUG_GRANT, RW - 0x4004 0004)

Table 405. Master Grant Debug Mode register (DEBUG_GRANT, RW - 0x4004 0004)

Bits	Description	Reset value
31:10	Not used. Write is don't care, Read returns random value	-
9:8	Reserved	-
7	USB Master. See description for bit 0	0
6:2	Reserved	-
1	DMA M1 Master	0
0	DMA M0 Master. If this bit is programmed to a one, the master will be allowed to finish it's current AHB Master access when ARM enters debug mode, but after the access the AHB Matrix will withdraw the bus grant and prevent the master from doing more AHB transfers as long as ARM is in debug mode. When the ARM exits debug mode, the masters will be granted bus access again. The ARM debug output signal shall be synchronized to the AHB Matrix HCLK before going into the matrix as the "debug_req" signal. 0 = Do not force GRANT inactive in ARM debug mode. (Default) 1 = Force GRANT inactive in ARM debug mode.	0

5.3 ETM registers

Please refer to ARM9 Embedded Trace Macrocell (ETM9) Technical Reference manual published by ARM

5.4 ETB registers

Please refer to Embedded Trace Buffer Technical Reference manual published by ARM.

1. LPC3180 pinout for LFBGA320 package

Table 406. LPC3180 pinout for LFBGA320

Symbol	Ball #	Symbol	Ball #	Symbol	Ball #	Symbol	Ball #
ADIN0	C24	KEY_ROW4	D1	RAM_D[22]	K23	VDD_OSC12	D20
ADIN1	E22	KEY_ROW5	E2	RAM_D[23]	H22	VDD_PLL397_12	C22
ADIN2	D23	MS_BS	Y1	RAM_D[24]	G23	VDD_PLLHCLK_12	A22
FLASH_ALE	AA16	MS_DIO0	W2	RAM_D[25]	J21	VDD_PLLUSB_12	B22
FLASH_CE_N	AC21	MS_DIO1	U2	RAM_D[26]	H23	VDD_RTC12	C12
FLASH_CLE	AC15	MS_DIO2	Y2	RAM_D[27]	G24	VDD_RTCCORE12	C11
FLASH_IO[00]	AD21	MS_DIO3	V4	RAM_D[28]	F24	VDD_RTCOSC12	C14
FLASH_IO[01]	AD20	MS_SCLK	AA1	RAM_D[29]	F21	VDD_SDRAM18_01	G21
FLASH_IO[02]	AC19	i.c.[1]	A18	RAM_D[30]	E23	VDD_SDRAM18_02	F22
FLASH_IO[03]	AC20	i.c.[1]	B17	RAM_D[31]	E24	VDD_SDRAM18_03	J22
FLASH_IO[04]	AB19	i.c.[1]	B18	RAM_DQM[0]	Y24	VDD_SDRAM18_04	K22
FLASH_IO[05]	AD19	i.c.[1]	C18	RAM_DQM[1]	W23	VDD_SDRAM18_05	P22
FLASH_IO[06]	AC17	i.c.[1]	U1	RAM_DQM[2]	V21	VDD_SDRAM18_06	U22
FLASH_IO[07]	AD18	i.c.[1]	AD2	RAM_DQM[3]	W24	VDD_SDRAM18_07	Y21
FLASH_RD_N	AA17	i.c.[1]	AA13	RAM_RAS_N	U21	VDD_SDRAM18_08	AC24
FLASH_RDY	AC18	i.c.[1]	AD16	RAM_WR_N	V22	VDD_SDRAM18_09	AA20
FLASH_WR_N	AD17	i.c.[1]	AB16	RESET_N	D13	VSS	B16
GPI_00	H1	i.c.[1]	AA14	RESOUT_N	AB12	VSS	D15
GPI_01 / SERVICE_N	K3	i.c.[1]	AC14	RTCX_IN	A14	VSS	AC11
GPI_02	J3	i.c.[1]	AB15	RTCX_OUT	A13	VSS	AB2
GPI_03	AA11	i.c.[1]	AD14	SPI1_CLK	W3	VSS	AD1
GPI_04 / SPI1_BUSY	K4	i.c.[1]	AC13	SPI1_DATIN	V1	VSS	AC2
GPI_05	A12	i.c.[1]	AB14	SPI1_DATIO	W1	VSS	AD5
GPI_06 / HSTIM_CAP	AA3	i.c.[1]	AD13	SPI2_CLK	V3	VSS	AC5
GPI_07	J1	i.c.[1]	AB13	SPI2_DATIN	T4	VSS	AA6
GPI_08 / KEY_COL6 / SPI2_BUSY	K2	i.c.[1]	AD12	SPI2_DATIO	V2	VSS	AC6
GPI_09 / KEY_COL7	L2	i.c.[1]	H2	SYSCLEN	C5	VSS	AD3
GPI_10 / U4_RX	K1	i.c.[1]	G1	SYSX_IN	A23	VSS	AC4
GPI_11	D10	i.c.[1]	G2	SYSX_OUT	B23	VSS	AC3
GPIO_00	T3	i.c.[1]	H4	TEST	D3	VSS	AB4
GPIO_01	R1	i.c.[1]	D21	TST_CLK2	AB3	VSS	AD11
GPIO_02 / KEY_ROW6	U3	i.c.[1]	B24	U1_RX	B9	VSS	C9
GPIO_03 / KEY_ROW7	T1	i.c.[1]	A24	U1_TX	B10	VSS	A9
GPIO_04	T2	i.c.[1]	C15	U2_HCTS	B8	VSS	A8
GPIO_05	R2	ONSW	D12	U2_RX	C7	VSS	C8

Table 406. LPC3180 pinout for LFBGA320

Symbol	Ball #	Symbol	Ball #	Symbol	Ball #	Symbol	Ball #
GPO_00 / TST_CLK1	AB9	PLL397_LOOP	C21	U2_TX	D9	VSS	D11
GPO_01	AC9	PWM_OUT1	J2	U3_RX	C6	VSS	B11
GPO_02	L4	PWM_OUT2	H3	U3_TX	A7	VSS	B15
GPO_03	L1	RAM_A[00]	AD22	U5_RX	A2	VSS	A15
GPO_04	Y3	RAM_A[01]	AB20	U5_TX	C4	VSS	AB5
GPO_05	AB10	RAM_A[02]	AD23	U6_IRRX	A1	VSS	W4
GPO_06	M4	RAM_A[03]	AD24	U6_IRTX	D5	VSS	C16
GPO_07	M3	RAM_A[04]	AC22	U7_HCTS	B2	VSS	D17
GPO_08	M1	RAM_A[05]	AA21	U7_RX	C3	VSS	A20
GPO_09	N4	RAM_A[06]	AC23	U7_TX	B3	VSS	C19
GPO_10	M2	RAM_A[07]	AB22	USB_ATX_INT_N	AA7	VSS_AD	D22
GPO_11	AB1	RAM_A[08]	AB23	USB_DAT_VP / U5_RX	AA8	VSS_CORE_01	C20
GPO_12	P3	RAM_A[09]	AA23	USB_I2C_SCL	AC8	VSS_CORE_02	D8
GPO_13	N1	RAM_A[10]	Y22	USB_I2C_SDA	AD7	VSS_CORE_03	D16
GPO_14	AD9	RAM_A[11]	AB24	USB_OE_TP_N	AD6	VSS_CORE_04	J4
GPO_15	R4	RAM_A[12]	Y23	USB_SE0_VM / U5_TX	AB7	VSS_CORE_05	R3
GPO_16	N2	RAM_A[13]	AA24	VDD12	B14	VSS_CORE_06	R21
GPO_17	B12	RAM_A[14]	W21	VDD12	A21	VSS_CORE_07	AA5
GPO_18	P1	RAM_CAS_N	V23	VDD12	B19	VSS_CORE_08	AA10
GPO_19	AC10	RAM_CKE	U24	VDD1828	AD4	VSS_CORE_09	AB17
GPO_20	AD10	RAM_CLK	U23	VDD1828	AA4	VSS_IO1828_01	D4
GPO_21 / U4_TX	P4	RAM_CLKIN	T21	VDD28	D14	VSS_IO1828_02	A10
GPO_22 / U7_HRTS	P2	RAM_CS_N	V24	VDD28	A16	VSS_IO18_01	AC16
GPO_23 / U2_HRTS	A11	RAM_D[00]	T23	VDD28	A17	VSS_IO18_02	AD15
HIGHCORE	A3	RAM_D[01]	T22	VDD28	C17	VSS_IO18_03	AC12
I2C1_SCL	Y4	RAM_D[02]	T24	VDD28	A19	VSS_IO18_04	AB8
I2C1_SDA	AC1	RAM_D[03]	R24	VDD_AD28	D24	VSS_IO28_01	E3
I2C2_SCL	AD8	RAM_D[04]	P21	VDD_AD28	E21	VSS_IO28_02	F1
I2C2_SDA	AA9	RAM_D[05]	R23	VDD_CORE12_01	AA2	VSS_IO28_03	N3
JTAG1_NTRST	D7	RAM_D[06]	P24	VDD_CORE12_02	D6	VSS_OSC	B21
JTAG1_RTCK	A6	RAM_D[07]	N21	VDD_CORE12_03	K21	VSS_PLL397	C23
JTAG1_TCK	B5	RAM_D[08]	P23	VDD_CORE12_05	L3	VSS_PLHCLK	D19
JTAG1_TDI	B6	RAM_D[09]	N24	VDD_CORE12_06	AA12	VSS_PLUSB	B20
JTAG1_TDO	A4	RAM_D[10]	M22	VDD_CORE12_07	AB6	VSS_RTCCORE	B13
JTAG1_TMS	A5	RAM_D[11]	N23	VDD_CORE12_08	AB18	VSS_RTCOSC	C13
KEY_COL0	D2	RAM_D[12]	M24	VDD_COREFXD12_01	C10	VSS_SDRAM_01	F23
KEY_COL1	F4	RAM_D[13]	L22	VDD_COREFXD12_02	D18	VSS_SDRAM_02	G22
KEY_COL2	C1	RAM_D[14]	M23	VDD_IO1828_01	B7	VSS_SDRAM_03	J23
KEY_COL3	C2	RAM_D[15]	L24	VDD_IO1828_02	B4	VSS_SDRAM_04	M21
KEY_COL4	E4	RAM_D[16] / DDR_DQS0	L23	VDD_IO18_01	AA19	VSS_SDRAM_05	N22

Table 406. LPC3180 pinout for LFBGA320

Symbol	Ball #	Symbol	Ball #	Symbol	Ball #	Symbol	Ball #
KEY_COL5	B1	RAM_D[17] / DDR_DQS1	L21	VDD_IO18_02	AA15	VSS_SDRAM_06	R22
KEY_ROW0	G3	RAM_D[18] / DDR_NCLK	K24	VDD_IO18_03	AB11	VSS_SDRAM_07	W22
KEY_ROW1	F2	RAM_D[19]	H21	VDD_IO18_04	AC7	VSS_SDRAM_08	AA22
KEY_ROW2	E1	RAM_D[20]	J24	VDD_IO28_01	U4	VSS_SDRAM_09	AB21
KEY_ROW3	F3	RAM_D[21]	H24	VDD_IO28_02	G4	VSS_SDRAM_10	AA18

[1] These pins are connected internally and must be left unconnected in an application.

2. Pin descriptions

Table 407. Definition of parameter abbreviations

Parameter	Abbreviation
I/O type	I = input O = output I/O = bi-directional OT = output/high impedance I/OT = bi-directional, or high impedance
Pin detail ^[1]	BK: pin has a bus keeper function that weakly retains the last level driven on an I/O pin when it is switched from output to input. pullup: pin has a nominal 50 μ A internal pullup connected (see specific device data sheet for detailed information) pulldown: pin has a nominal 50 μ A internal pulldown connected (see specific device data sheet for detailed information) P: pin has programmable input characteristics, see relevant peripheral chapters for details.

[1] 'Additional Function' tables appear below some of the tables showing pins associated with specific functions. These indicate when the pin is not named for the related function, but is an alternate function on a pin with a different name.

2.1 System pins

Table 408. Summary of system pins

Pin name	Description	Alternate function	I/O type	Reset state	Pin detail	Pin power supply	Usage notes
SYSX_IN	SYS Oscillator input	-	I	-	-	VDD_OSC12	
SYSX_OUT	SYS Oscillator output	-	O	-	-	VDD_OSC12	
RESET_N	System reset	-	I	Input	-	VDD_RTC12	
SYSCLKEN	System Clock Request	-	I/OT	High	-	VDD_IO28	^[1]
RTCX_IN	RTC oscillator input	-	I	-	-	VDD_RTC12	^[2]
RTCX_OUT	RTC oscillator output	-	O	-	-	VDD_RTC12	
RESOUT_N	Reset output signal	-	O	see note	-	VDD_IO18	^[3]
ONSW	VCCon output signal	-	O	Low	-	VDD_RTC12	
HIGHCORE	Core voltage select	-	O	Low	-	VDD_IO28	^[4]

Table 408. Summary of system pins ...continued

Pin name	Description	Alternate function	I/O type	Reset state	Pin detail	Pin power supply	Usage notes
TEST	Device test input	-	I	Input	pulldown	VDD_IO28	
TST_CLK2	Test clock output 2	-	O	Low	-	VDD1828	[5]
PLL397_LOOP	397x PLL loop filter	-	-	-	-	VDD_PLL397_12	[6]

Total pins: 12

- [1] SYSCLKEN either drives high or is in an input when not configured as a GPO (See the PWR_CTRL register in the Clocking and Power control chapter)
- [2] The RTCX_IN pin supports a square wave clock signal with full VDD_RTC swing.
- [3] RESOUT_N is low when RESET_N is low and goes high when RESET_N goes high. RESETOUT_N may also be configured to reflect an internal watchdog reset.
- [4] When HIGHCORE drives low it means a normal core voltage (1.2 V) is needed. When HIGHCORE drives high, a low core voltage (0.9 V) is allowed.
- [5] TST_CLK2 can output selected internal clocks for test purposes, refer to the TEST_CLK register description in the Clocking and Power Control section for details.
- [6] PLL397_LOOP requires two external capacitors and one resistor to be connected. See the Clocking and Power control chapter for details.

2.1.1 Additional system signals

Table 409. System functions that are alternate functions of other pins

Function Name	Description	Alternate function Of:	I/O type	Reset state	Pin detail	Pin power supply	Usage notes
TST_CLK1	Test clock output 1	GPO_00	O	Low	-	VDD_IO18	[1][2]
SERVICE_N	Boot select input	GPI_01	I	Input	-	VDD_IO28	

- [1] TST_CLK1 can output selected internal clocks for test purposes, refer to the TEST_CLK register description in the Clocking and Power Control section for details.
- [2] TST_CLK1 can output a maximum of 26 MHz when VDD1828 is supplied with 1.8 V, and a maximum of 52 MHz when VDD1828 is supplied with 2.8 V.

2.2 USB pins

Pin power supply: VDD_IO18

Table 410. USB pins

Pin name	Description	Alternate function	I/O type	Reset state	Pin detail	Usage notes
USB_I2C_SDA	I ² C serial bus data	-	I/OT	Input	-	[1]
USB_I2C_SCL	I ² C serial bus clock	-	I/OT	Input	-	[1]
USB_ATX_INT_N	Interrupt from transceiver	-	I	Input	-	
USB_OE_TP_N	Transmit enable for DAT/SE0	-	I/O	High	P	[2]
USB_DAT_VP	TX data / D+ receive	U5_RX	I/O	Input	P	[3]
USB_SE0_VM	S. E. Zero transmit / D- receive	U5_TX	I/O	Input	P	[3]

Total pins: 6

- [1] Open drain pin requiring an external pullup resistor.
- [2] Programmable input characteristics of this pin are controlled by USB_OTG_STAT_CONTROL[7] (see USB description).
- [3] Programmable input characteristics of this pin are controlled by USB_CTRL[20:19] (see USB description).

2.3 SDRAM pins

Pin power supply: VDD_SDRAM18

Table 411. SDRAM interface pins

Pin name	Description	Alternate function	I/O type	Reset state	Pin detail	Usage notes
RAM_D[31:19]	Data bus (13 pins)	PIO_SD[12:0]	I/O	Input	P	[1]
RAM_D18	Data bus	DDR_nCLK	I/O	Input	P	[1]
RAM_D17	Data bus	DDR_DQS1	I/O	Input	BK	
RAM_D16	Data bus	DDR_DQS0	I/O	Input	BK	
RAM_D[15:00]	Data bus (16 pins)	-	I/O	Input	BK	
RAM_A[14:00]	Address bus (15 pins)	-	O	Low	-	
RAM_CLK	Clock to SDRAM	-	O	see note	-	[2]
RAM_CLKIN	Return clock	-	I	Input	-	
RAM_CKE	Clock enable to SDRAM	-	O	Low	-	
RAM_CS_N	SDRAM chip select	-	O	High	-	
RAM_RAS_N	SDRAM row select	-	O	High	-	
RAM_CAS_N	SDRAM column select	-	O	High	-	
RAM_WR_N	SDRAM write strobe	-	O	High	-	
RAM_DQM[3:0]	Byte select (4 pins)	-	O	Low	-	

Total pins: 58

[1] Programmable input characteristics of these pins are controlled by PIO_MUX_SET[3] and SDRAMCLK_CTRL[1] (see GPIO and External Memory Controller chapters).

[2] Pin is low during reset and running after reset.

[3] SDRAM pins default to fast slew rate mode. However, they can be configured by software to slow slew rate mode. See the External Memory Controller chapter for details.

2.4 NAND Flash pins

Pin power supply: VDD_IO18

Table 412. NAND Flash interface pins

Pin name	Description	Alternate function	I/O type	Reset state	Pin detail	Usage notes
FLASH_IO[07:00]	Data input/outputs (8 pins)	-	I/O	Input	BK	[1]
FLASH_ALE	Address latch enable	-	O	Low	-	[1]
FLASH_CE_N	Flash chip enable	-	O	High	-	[1]
FLASH_WR_N	Flash write enable	-	O	High	-	[1]
FLASH_RD_N	Flash read enable	-	O	High	-	[1]
FLASH_CLE	Command latch enable	-	O	Low	-	[1]
FLASH_RDY	Ready/Busy from Flash	-	I	Input	-	[1]

Total pins: 14

[1] High fanout pin.

2.5 SD card pins

Pin power supply: VDD_IO28

Table 413. SD card pins

Pin name	Description	I/O type	Reset state	Pin detail
MS_SCLK	Serial clock output	I/O	Low	-
MS_BS	Serial bus state output	I/O	Low	P
MS_DIO0	Serial data in/out, data bit 0 in parallel mode	I/O	Input	P
MS_DIO1	Data bit 1 in parallel mode	I/O	Input	P
MS_DIO2	Data bit 2 in parallel mode	I/O	Input	P
MS_DIO3	Data bit 3 in parallel mode	I/O	Input	P
Total pins: 6				

2.6 General Purpose I/O pins

This includes input only, output only, and input/output pins.

2.6.1 General Purpose Inputs (GPIs)

Table 414. GPI pins

Pin name	Description	Alternate function	I/O type	Reset state	Pin detail	Pin power supply	Usage notes
GPI_11	General purpose input 11	-	I	Input	-	VDD_IO1828	
GPI_10	General purpose input 10	U4_RX	I	Input	-	VDD_IO28	
GPI_09	General purpose input 9	KEY_COL7	I	Input	-	VDD_IO28	[1]
GPI_08	General purpose input 8	KEY_COL6, SPI2_BUSY	I	Input	-	VDD_IO28	[1]
GPI_07	General purpose input 7	-	I	Input	-	VDD_IO28	
GPI_06	General purpose input 6	HSTIM_CAP	I	Input	BK	VDD1828	
GPI_05	General purpose input 5	-	I	Input	-	VDD_IO1828	
GPI_04	General purpose input 4	SPI1_BUSY	I	Input	-	VDD_IO28	
GPI_03	General purpose input 3	-	I	Input	-	VDD_IO18	
GPI_02	General purpose input 2	-	I	Input	-	VDD_IO28	
GPI_01	General purpose input 1	SERVICE_N	I	Input	-	VDD_IO28	
GPI_00	General purpose input 0	-	I	Input	-	VDD_IO28	
Total pins: 12							

[1] These pins are default GPI pins. They can be reconfigured by software to operate as KeyScan col[7:6].

2.6.2 General Purpose Outputs (GPOs)

Table 415. GPO pins

Pin name	Description	Alternate function	I/O type	Reset state	Pin detail	Pin power supply	Usage notes
GPO_23	General purpose output 23	U2_HRTS	O	Low	-	VDD_IO1828	
GPO_22	General purpose output 22	U7_HRTS	O	Low	-	VDD_IO28	
GPO_21	General purpose output 21	U4_TX	O	Low	-	VDD_IO28	

Table 415. GPO pins ...continued

Pin name	Description	Alternate function	I/O type	Reset state	Pin detail	Pin power supply	Usage notes
GPO_20	General purpose output 20	-	O	High	-	VDD_IO18	[1]
GPO_19	General purpose output 19	-	O	Low	-	VDD_IO18	
GPO_18	General purpose output 18	-	O	Low	-	VDD_IO28	
GPO_17	General purpose output 17	-	O	Low	-	VDD_IO1828	
GPO_16	General purpose output 16	-	O	Low	-	VDD_IO28	
GPO_15	General purpose output 15	-	O	Low	-	VDD_IO28	
GPO_14	General purpose output 14	-	O	Low	-	VDD_IO18	
GPO_13	General purpose output 13	-	O	Low	-	VDD_IO28	
GPO_12	General purpose output 12	-	O	Low	-	VDD_IO28	
GPO_11	General purpose output 11	-	O	Low	-	VDD1828	
GPO_10	General purpose output 10	-	O	Low	-	VDD_IO28	
GPO_09	General purpose output 9	-	O	Low	-	VDD_IO28	
GPO_08	General purpose output 8	-	O	Low	-	VDD_IO28	
GPO_07	General purpose output 7	-	O	High	-	VDD_IO28	
GPO_06	General purpose output 6	-	O	Low	-	VDD_IO28	
GPO_05	General purpose output 5	-	O	High	-	VDD_IO18	[1]
GPO_04	General purpose output 4	-	O	Low	-	VDD1828	
GPO_03	General purpose output 3	-	O	High	-	VDD_IO28	
GPO_02	General purpose output 2	-	O	Low	-	VDD_IO28	
GPO_01	General purpose output 1	-	O	Low	-	VDD_IO18	
GPO_00	General purpose output 0	TST_CLK1	O	Low	-	VDD_IO18	[1]
Total pins: 24							

[1] High fanout pin

2.6.3 General Purpose Input/Outputs (GPIOs)

Table 416. GPIO pins

Pin name	Description	Alternate function	I/O type	Reset state	Pin detail	Pin power supply	Usage notes
GPIO_05	General purpose input/output 5	-	I/O	Input	-	VDD_IO28	
GPIO_04	General purpose input/output 4	-	I/O	Input	-	VDD_IO28	
GPIO_03	General purpose input/output 3	KEY_ROW7	I/O	Input	-	VDD_IO28	[1]
GPIO_02	General purpose input/output 2	KEY_ROW6	I/O	Input	-	VDD_IO28	[1]
GPIO_01	General purpose input/output 1	-	I/O	Input	-	VDD_IO28	
GPIO_00	General purpose input/output 0	-	I/O	Input	-	VDD_IO28	
Total pins: 6							

[1] These pins are default GPIO pins. They can be reconfigured by software to operate as Keyscan row[7:6].

2.7 Debug pins

Pin power supply: VDD_IO28

Table 417. Debug pins

Pin name	Description	Alternate function	I/O type	Reset state	Pin detail
JTAG1_TCK	ARM Jtag clock	-	I	Input	pullup
JTAG1_RTCK	ARM Jtag return clock	-	O	Low	-
JTAG1_NTRST	ARM Jtag reset	-	I	Input	pulldown
JTAG1_TMS	ARM Jtag mode select	-	I	Input	pullup
JTAG1_TDI	ARM Jtag data in	-	I	Input	pullup
JTAG1_TDO	ARM Jtag data out	-	O	Low	-
Total pins: 6					

[1] General note: Inputs from JTAG emulators may have strong drivers. It is recommended to add termination resistors on the PCB.

2.8 UART pins

Table 418. UART pins

Pin name	Description	Alternate function	I/O type	Reset state	Pin detail	Pin power supply
U1_TX	uart1 transmit data	-	O	High	-	VDD_IO1828
U1_RX	uart1 receive data	PIO_INP[15]	I	Input	-	VDD_IO1828
U2_TX	uart2 transmit data	-	O	High	-	VDD_IO1828
U2_RX	uart2 receive data	PIO_INP[17]	I	Input	-	VDD_IO1828
U2_HCTS	uart2 hardware flow control	PIO_INP[16]	I	Input	-	VDD_IO1828
U3_TX	uart3 transmit data	-	O	High	-	VDD_IO1828
U3_RX	uart3 receive data	PIO_INP[18]	I/O	In	-	VDD_IO1828
U5_TX	uart5 transmit data	-	O	High	-	VDD_IO28
U5_RX	uart5 receive data	PIO_INP[20]	I	Input	-	VDD_IO28
U6_IRTX	uart6 IRDA transmit data	-	O	Low	-	VDD_IO28
U6_IRRX	uart6 IRDA receive data	PIO_INP[21]	I/O	Input	-	VDD_IO28
U7_TX	uart7 transmit data	-	O	High	-	VDD_IO28
U7_RX	uart7 receive data	PIO_INP[23]	I	Input	pullup	VDD_IO28
U7_HCTS	uart7 hardware flow control	PIO_INP[22]	I	Input	pullup	VDD_IO28
Total pins: 14						

2.8.1 Additional UART signals

Table 419. UART functions that are alternate functions of other pins

Function name	Description	Alternate function of	I/O type	Reset state	Pin detail	Pin power supply
U2_HRTS	UART2 hardware flow control	GPO_23	O	Low	-	VDD_IO1828

Table 419. UART functions that are alternate functions of other pins ...continued

Function name	Description	Alternate function of	I/O type	Reset state	Pin detail	Pin power supply
U4_TX	UART4 transmit data	GPO_21	O	Low	-	VDD_IO28
U4_RX	UART4 receive data	GPI_10	I	Input	-	VDD_IO28
U7_HRTS	UART7 hardware flow control	GPO_22	O	Low	-	VDD_IO28

2.9 A/D pins

Pin power supply: VDD_AD28

Table 420. A/D pins

Pin name	Description	Alternate function	I/O type	Reset state	Pin detail
ADIN0	Input 0 to A/D Converter	-	I	Input	
ADIN1	Input 1 to A/D Converter	-	I	Input	
ADIN2	Input 2 to A/D Converter	-	I	Input	
Total pins: 3					

2.10 Keyboard pins

Pin power supply: VDD_IO28

Table 421. Keyboard pins

Pin name	Description	Alternate function	I/O type	Reset state	Pin detail
KEY_ROW[5:0]	Row output (6 pins)	-	OT	High	-
KEY_COL[5:0]	Column input (6 pins)	-	I	Input	-
Total pins: 12					

[1] Note: The Key Scanner supports up to 8 × 8 matrix. Software needs to configure GPI/GPIO pins for the extra row/col pins.

2.10.1 Additional keyboard signals

Table 422. Keyboard functions that are alternate functions of other pins

Function name	Description	Alternate function of	I/O type	Reset state	Pin detail	Pin power supply
KEY_ROW7	Keyboard row 7 output	GPIO_03	I/O	Input	-	VDD_IO28
KEY_ROW6	Keyboard row 6 output	GPIO_02	I/O	Input	-	VDD_IO28
KEY_COL7	Keyboard column 7 input	GPI_09	I	Input	-	VDD_IO28
KEY_COL6	Keyboard column 6 input	GPI_08	I	Input	-	VDD_IO28

2.11 PWM pins

Pin power supply: VDD_IO28

Table 423. PWM pins

Pin name	Description	Alternate function	I/O type	Reset state	Pin detail
PWM_OUT1	General purpose	-	O	Low	-
PWM_OUT2	General purpose	IRQ or FIQ	O	Low	-
Total pins: 2					

2.12 SPI pins

Pin power supply: VDD_IO28

Table 424. SPI pins

Pin name	Description	Alternate function	I/O type	Reset state	Pin detail	Usage notes
SPI1_CLK	SPI clock	-	O	Low	-	[1]
SPI1_DATIO	SPI Data	-	I/O	Low	-	[1]
SPI1_DATIN	SPI Data in	PIO_INP[25]	I	Input	-	
SPI2_CLK	SPI clock	-	I/O	Low	-	[1]
SPI2_DATIO	SPI Data	-	I/O	Low	-	[1]
SPI2_DATIN	SPI Data in	PIO_INP[27]	I	Input	-	
Total pins: 6						

[1] These pins can be used as general purpose GPO pins controlled by the SPICLK_CTRL register.

General Note: For each SPI slave to be connected to the SPI bus, a separate chip select signal must be generated with a spare GPO pin. Also an interrupt input pin is generally needed.

2.12.1 Additional SPI signals

Table 425. SPI functions that are alternate functions of other pins

Function name	Description	Alternate function of	I/O type	Reset state	Pin detail	Pin power supply
SPI1_BUSY	SPI1 busy input	GPI_04	I	Input	-	VDD_IO28
SPI2_BUSY	SPI2 busy input	GPI_08	I	Input	-	VDD_IO28

2.13 I²C-bus pins

Table 426. I²C-bus pins

Pin name	Description	Alternate function	I/O type	Reset state	Pin detail	Pin power supply	Usage notes
I2C1_SCL	I2C1 clock	-	I/OT	Input	VDD1828		[1]
I2C1_SDA	I2C1 data	-	I/OT	Input	VDD1828		[1]
I2C2_SCL	I2C2 clock	-	I/OT	Input	VDD_IO18		[1]
I2C2_SDA	I2C2 data	-	I/OT	Input	VDD_IO18		[1]
Total pins: 4							

[1] Open drain pin requiring an external pullup resistor.

2.14 Pin multiplexing

This table lists pins that are connected to more than one block and/or which have logic between the pin and the functional blocks. An input pin which is connected directly to more than one block is not listed here.

Table 427. Pin multiplexing

Pin name	Pin function	Muxed signals	Control signal
USB_DAT_VP / U5_RX	Input	USB_DAT_VP (default) U5_RX	UART_CTRL[0]
	Enable	USB block (default) 1 (enabled)	
USB_SE0_VM / U5_TX	Output	USB_SE0_VM (default) U5_TX	
	Enable	USB block (default) 0 (disabled)	
RAM_D[16]	Input	SDRAM data (default) SDRAM DQS	SDRAMCLK_CTRL[1]
	Output	SDRAM data (default) SDRAM DQS	
	Enable	SDRAM block SDRAM block	
RAM_D[17]	Input	SDRAM data (default) SDRAM DQS	SDRAMCLK_CTRL[1]
	Output	SDRAM data (default) SDRAM DQS	
	Enable	SDRAM block (default) SDRAM block	
RAM_D[18]	Input	SDRAM data	SDRAMCLK_CTRL[1]
	Output	SDRAM data (default) SDRAM clock	
	Enable	SDRAM block (default) "0" (disabled)	
RAM_D[23:19]	Input	SDRAM data (default) GPIO	PIO_MUX_SET[3]
	Output	SDRAM data (default) GPIO	
	Enable	SDRAM block (default) GPIO block	
RAM_D[31:24]	Input	SDRAM data (default) GPIO	PIO_MUX_SET[3]
	Output	SDRAM data (default) GPIO	
	Enable	SDRAM block (default) GPIO block	
GPO_23 / U2_HRTS	Output	GPIO (default) U2_HRTS	HSU2_CTRL[18]
GPO_22 / U7_HRTS	Output	GPIO (default) U7_HRTS	HSU7_CTRL[18]

Table 427. Pin multiplexing ...continued

Pin name	Pin function	Muxed signals	Control signal
GPO_21 / U4_TX	Output	GPIO (default)	PIO_MUX_SET[2]
		U4_TX	PIO_MUX_CLR[2]
GPO_00 / TST_CLK1	Output	GPIO (default)	TEST_CLK[4]
		TST_CLK1	
GPIO_03 / KEY_ROW7	Output	GPIO (default)	PIO_MUX_SET[1]
		1 (enabled)	PIO_MUX_CLR[1]]
GPIO_02 / KEY_ROW6	Enable	GPIO block (default)	PIO_MUX_SET[1]
		KEY_ROW7	PIO_MUX_CLR[1]
GPIO_02 / KEY_ROW6	Output	GPIO (default)	PIO_MUX_SET[0]
		1 (enabled)	PIO_MUX_CLR[0]
PWM_OUT2	Output	GPIO block (default)	PIO_MUX_SET[0]
		KEY_ROW6	PIO_MUX_CLR[0]
PWM_OUT2	Output	PWM_OUT2 (default)	PWM2_CTRL[29]
		IRQ or FIQ	

1. Abbreviations

Table 428. Abbreviations

Acronym	Description
AHB	Advanced High-performance bus
ATLE	Auto Transfer Length Extraction
ATX	Analog Transceiver
DD	DMA Descriptor
DC	Device Core
DDP	DD Pointer
DMA	Direct Memory Access
EoP	End of Packet
EP	End Point
FS	Full Speed
HNP	Host Negotiation Protocol
HREADY	When HIGH the HREADY signal indicates that a transfer has finished on the AHB bus. This signal may be driven LOW to extend a transfer.
LED	Light Emitting Diode
LS	Low Speed
MPS	Maximum Packet Size
OTG	On-The-Go is a supplement to the USB 2.0 specification.
PLL	Phase Locked Loop
RAM	Random Access Memory
SoF	Start of Frame
SRAM	Synchronous RAM
SIE	Serial Interface Engine
UDCA	USB Device Communication Area
USB	Universal Serial Bus

2. Legal information

2.1 Definitions

Draft — The document is a draft version only. The content is still under internal review and subject to formal approval, which may result in modifications or additions. Philips Semiconductors does not give any representations or warranties as to the accuracy or completeness of information included herein and shall have no liability for the consequences of use of such information.

2.2 Disclaimers

General — Information in this document is believed to be accurate and reliable. However, Philips Semiconductors does not give any representations or warranties, expressed or implied, as to the accuracy or completeness of such information and shall have no liability for the consequences of use of such information.

Right to make changes — Philips Semiconductors reserves the right to make changes to information published in this document, including without limitation specifications and product descriptions, at any time and without notice. This document supersedes and replaces all information supplied prior to the publication hereof.

Suitability for use — Philips Semiconductors products are not designed, authorized or warranted to be suitable for use in medical, military, aircraft, space or life support equipment, nor in applications where failure or malfunction of a Philips Semiconductors product can reasonably be expected to result in personal injury, death or severe property or environmental damage. Philips Semiconductors accepts no liability for inclusion and/or use of Philips Semiconductors products in such equipment or applications and therefore such inclusion and/or use is for the customer's own risk.

Applications — Applications that are described herein for any of these products are for illustrative purposes only. Philips Semiconductors makes no representation or warranty that such applications will be suitable for the specified use without further testing or modification.

2.3 Trademarks

Notice: All referenced brands, product names, service names and trademarks are the property of their respective owners.

I²C-bus — logo is a trademark of Koninklijke Philips Electronics N.V.

Notes

3. Tables

Table 1. Overview of LPC3180 memory spaces	13	4064)	51
Table 2. USB memory space	13	Table 30. Memory Card Control register (MS_CTRL -	
Table 3. Peripheral devices on the LPC3180	14	0x4000 4080)	53
Table 4. Boot map control register (BOOT_MAP - 0x4000		Table 31. I ² C Clock Control register (I2CCLK_CTRL -	
4014)	19	0x4000 40AC)	54
Table 5. Clocks and clock usage	21	Table 32. Keyboard Scan Clock Control register	
Table 6. External PLL397 component values	31	(KEYCLK_CTRL - 0x4000 40B0)	54
Table 7. PLL control bits	33	Table 33. ADC Clock Control register (ADCLK_CTRL -	
Table 8. HCLK PLL examples	36	0x4000 40B4)	54
Table 9. Clocks used by various peripheral blocks	38	Table 34. PWM Clock Control register (PWMCLK_CTRL -	
Table 10. Clocking and power control registers	39	0x4000 40B8)	55
Table 11. Power Control register (PWR_CTRL - 0x4000		Table 35. Timer Clock Control register (TIMCLK_CTRL -	
4044)	40	0x4000 40BC)	55
Table 12. Main Oscillator Control register (OSC_CTRL -		Table 36. SPI Block Control register (SPI_CTRL - 0x4000	
0x4000 404C)	41	40C4)	56
Table 13. SYSCLK Control Register (SYSCLK_CTRL -		Table 37. NAND Flash Clock Control register	
0x4000 4050)	42	(FLASHCLK_CTRL - 0x4000 40C8)	57
Table 14. PLL397 Control register (PLL397_CTRL - 0x4000		Table 38. SDRAM pins in SDR and DDR operating	
4048)	42	modes	58
Table 15. HCLK PLL Control register (HCLKPLL_CTRL -		Table 39. Bus hold configuration for RAM_D[31:0] when	
0x4000 4058)	43	GPIO_SDRAM_SEL = '0'.	60
Table 16. HCLK Divider Control register (HCLKDIV_CTRL -		Table 40. Examples of compatible SDR SDRAM	
0x4000 4040)	45	devices ^{[1][2]}	60
Table 17. Test Clock Selection register (TEST_CLK -		Table 41. Examples of compatible DDR SDRAM	
0x4000 40A4)	46	devices ^{[1][2]}	60
Table 18. Autoclock Control register (AUTOCLK_CTRL -		Table 42. SDRAM controller register summary	61
0x4000 40EC)	46	Table 43. SDRAM Clock Control Register	
Table 19. Start Enable register for Internal Sources		(SDRAMCLK_CTRL - 0x4000 4068)	62
(START_ER_INT - 0x4000 4020)	47	Table 44. SDRAM Controller Control Register	
Table 20. Start Enable register for Pin Sources		(MPMCControl - 0x3108 0000)	63
(START_ER_PIN - 0x4000 4030)	47	Table 45. SDRAM Controller Status Register (MPMCStatus	
Table 21. Start Raw Status Register for Internal Sources		- 0x3108 0004)	64
(START_RSR_INT - 0x4000 4024)	49	Table 46. SDRAM Controller Configuration Register	
Table 22. Start Raw Status Register for Pin Sources		(MPMCConfig - 0x3108 0008)	65
(START_RSR_PIN - 0x4000 4034)	49	Table 47. Dynamic Memory Control Register	
Table 23. Start Status Register for Internal Sources		(MPMCDynamicControl - 0x3108 0020)	65
(START_SR_INT - 0x4000 4028)	49	Table 48. Dynamic Memory Refresh Timer Register	
Table 24. Start Status Register for Pin Sources		(MPMCDynamicRefresh - 0x3108 0024)	66
(START_SR_PIN - 0x4000 4038)	50	Table 49. Dynamic Memory Read Configuration Register	
Table 25. Start Activation Polarity Register for Internal		(MPMCDynamicReadConfig - 0x3108 0028)	67
Sources (START_APR_INT - 0x4000 402C)	50	Table 50. Dynamic Memory Precharge Command Period	
Table 26. Start Activation Polarity Register for Pin Sources		Register (MPMCDynamicRP - 0x3108 0030)	68
(START_APR_PIN - 0x4000 403C)	50	Table 51. Dynamic Memory Active to Precharge Command	
Table 27. DMA Clock Control register (DMACLK_CTRL -		Period Register (MPMCDynamicRAS - 0x3108	
0x4000 40E8)	50	0034)	69
Table 28. UART Clock Control register (UARTCLK_CTRL -		Table 52. Dynamic Memory Self-refresh Exit Time Register	
0x4000 40E4)	51	(MPMCDynamicSREX - 0x3108 0038)	69
Table 29. USB Control register (USB_CTRL - 0x4000		Table 53. Dynamic Memory Write Recovery Time Register	

continued >>

Table 54.	(MPMCDynamicWR - 0x3108 0044) 70	Table 77.	Activation Type Registers (MIC_ATR, SIC1_ATR, and SIC2_ATR) 88
Table 55.	Dynamic Memory Active To Active Command Period Register (MPMCDynamicRC - 0x3108 0048) 70	Table 78.	Sub1 Interrupt Type Registers (MIC_ITR, SIC1_ITR, and SIC2_ITR) 88
Table 56.	Dynamic Memory Auto-refresh Period Register (MPMCDynamicRFC - 0x3108 004C) 70	Table 79.	Software Interrupt Register (SW_INT - 0x4000 40A8) 88
Table 57.	Dynamic Memory Exit Self-refresh Register (MPMCDynamicXSR - 0x3108 0050) 71	Table 80.	NAND-Flash memory controller pins 89
Table 58.	Dynamic Memory Active Bank A to Active Bank B Time Register (MPMCDynamicTRD - 0x3108 0054) 71	Table 81.	NAND flash commands 97
Table 59.	Dynamic Memory Load Mode Register To Active Command Time (MPMCDynamicMRD - 0x3108 0058) 72	Table 82.	NAND flash commands 97
Table 60.	Dynamic Memory Configuration Register (MPMCDynamicConfig0 - 0x3108 0100) [U] . . . 72	Table 83.	MLC NAND flash registers 99
Table 61.	Address mapping 73	Table 84.	MLC NAND Flash Command Register (MLC_CMD, RW - 0x200B 8000) 100
Table 62.	Dynamic Memory RAS and CAS Delay Register (MPMCDynamicRasCas0 - 0x3108 0104) 75	Table 85.	MLC NAND Flash Address Register (MLC_ADDR, WO - 0x200B 8004) 101
Table 63.	SDRAM Controller AHB Control Registers (MPMCAHBControl0, 2-4 - 0x3108 0400, 0440, 0460, 0480) 76	Table 86.	MLC NAND ECC Encode Register (MLC_ECC_ENC_REG, WO - 0x200B 8008) 101
Table 64.	SDRAM Controller AHB Status Registers (MPMCAHBStatus0, 2-4 - 0x3108 0404, 0444, 0464, 0484) 76	Table 87.	MLC NAND ECC Decode Register (MLC_ECC_DEC_REG, WO - 0x200B 800C) 101
Table 65.	SDRAM Controller AHB Timeout Registers (MPMCAHBTime0, 2-4 - 0x3108 0408, 0448, 0468, 0488) 76	Table 88.	MLC NAND ECC Auto Encode Register (MLC_ECC_AUTO_ENC_REG, WO - 0x200B 8010) 103
Table 66.	DDR Calibration Nominal Value (DDR_LAP_NOM - 0x4000 406C) 76	Table 89.	MLC NAND ECC Auto Decode Register (MLC_ECC_AUTO_DEC_REG, WO - 0x200B 8014) 103
Table 67.	DDR Calibration Measured Value (DDR_LAP_COUNT - 0x4000 4070) 77	Table 90.	MLC NAND Read Parity Register (MLC_RPR, WO - 0x200B 8018) 104
Table 68.	DDR Calibration Delay Value (DDR_CAL_DELAY - 0x4000 4074) 77	Table 91.	MLC NAND Write Parity Register (MLC_WPR, WO - 0x200B 801C) 104
Table 69.	Ring Oscillator Control Register (RINGOSC_CTRL - 0x4000 4088) 77	Table 92.	MLC NAND Reset User Buffer Pointer Register (MLC_RUBP, WO - 0x200B 8020) 104
Table 70.	Interrupt controller registry summary 83	Table 93.	MLC NAND Reset Overhead Buffer Pointer Register (MLC_ROBP, WO - 0x200B 8024) . 105
Table 71.	Interrupt Enable Register for the Main Interrupt Controller (MIC_ER - 0x4000 8000) 84	Table 94.	MLC NAND Software Write Protection Address Low Register (MLC_SW_WP_ADD_LOW, WO - 0x200B 8028) 105
Table 72.	Interrupt Enable Register for Sub Interrupt Controller 1 (SIC1_ER - 0x4000 C000) 84	Table 95.	MLC NAND Software Write Protection Address High Register (MLC_SW_WP_ADD_HIG, WO - 0x200B 802C) 105
Table 73.	Interrupt Enable Register for Sub Interrupt Controller 2 (SIC2_ER - 0x4001 0000) 85	Table 96.	MLC NAND Controller Configuration Register (MLC_ICR, WO - 0x200B 8030) 106
Table 74.	Sub1 Raw Status Register (SIC1_RSR - 0x4000 C004) 87	Table 97.	MLC NAND Timing Register MLC_TIME_REG, (WO - 0x200B 8034) 106
Table 75.	Interrupt Status Registers (MIC_SR, SIC1_SR, and SIC2_SR) 87	Table 98.	MLC NAND Interrupt Mask Register (MLC_IRQ_MR, WO - 0x200B 8038) 107
Table 76.	Activation Polarity Registers (MIC_APR, SIC1_SPR, and SIC2_APR) 87	Table 99.	MLC NAND Interrupt Status Register (MLC_IRQ_SR, RO - 0x200B 803C) 108
		Table 100.	MLC NAND Lock Protection Register (MLC_LOCK_PR, WO - 0x200B 8044) 109
		Table 101.	MLC NAND Status Register (MLC_ISR, RO - 0x200B 8048) 109
		Table 102.	MLC NAND Chip-Enable Host Control Register

continued >>

(MLC_CEH, WO - 0x200B 804C)	110	0x4002 8010)	141		
Table 103. NAND flash controller pins	118	Table 132. GPIO Direction Clear Register (PIO_DIR_CLR -	0x4002 8014)	142	
Table 104. Single-level NAND flash controller registers.	121	Table 133. GPIO Direction State Register (PIO_DIR_STATE -	0x4002 80018)	142	
Table 105. SLC NAND flash Data register (SLC_DATA -	0x2002 0000)	122	Table 134. Input Pin State register for SDRAM pins	(PIO_SDINP_STATE - 0x4002 801C)	143
Table 106. SLC NAND flash Address Register (SLC_ADDR -	0x2002 0004)	122	Table 135. Output Pin Set register for SDRAM pins	(PIO_SDOUTP_SET - 0x4002 8020)	143
Table 107. SLC NAND flash Command register (SLC_CMD -	0x2002 0008)	122	Table 136. Output Pin Clear register for SDRAM pins	(PIO_SDOUTP_CLR - 0x4002 8024)	143
Table 108. SLC NAND flash STOP register (SLC_STOP -	0x2002 000C)	122	Table 137. PIO Multiplexer control Set register	(PIO_MUX_SET - 0x4002 8028)	144
Table 109. SLC NAND flash Control register (SLC_CTRL -	0x2002 0010)	123	Table 138. PIO multiplexer control Clear register	(PIO_MUX_CLR - 0x4002 802C)	144
Table 110. SLC NAND flash Configuration register	(SLC_CFG - 0x2002 0014)	123	Table 139. PIO Multiplexer State register (PIO_MUX_STATE	- 0x4002 8030)	144
Table 111. SLC NAND flash Status register (SLC_STAT -	0x2002 0018)	124	Table 140. USB related acronyms, abbreviations, and	definitions used in this chapter.	145
Table 112. SLC NAND flash Interrupt Status register	(SLC_INT_STAT - 0x2002 001C)	124	Table 141. Pre-fixed endpoint configuration	146	
Table 113. SLC NAND flash Interrupt Enable register	(SLC_IEN - 0x2002 0020)	125	Table 142. USB external interface	149	
Table 114. SLC NAND flash Interrupt Set Register (SLC_ISR	- 0x2002 0024)	125	Table 143. USB device register address definitions	151	
Table 115. SLC NAND flash Interrupt Clear Register	(SLC_ICR - 0x2002 0028)	125	Table 144. USB Device Interrupt Status Register -	(USBDevIntSt - 0x3102 0200, R)	153
Table 116. SLC NAND flash Timing Arcs configuration	Register (SLC_TAC - 0x2002 002C)	126	Table 145. USB Device Interrupt Enable Register -	(USBDevIntEn - 0x3102 0204, R/W)	154
Table 117. SLC NAND flash Transfer Count Register	(SLC_TC - 0x2002 0030)	126	Table 146. USB Device Interrupt Clear Register -	(USBDevIntClr - 0x3102 0208, C)	154
Table 118. SLC NAND flash Error Correction Code Register	(SLC_ECC - 0x2002 0034)	127	Table 147. USB Device Interrupt Set Register -	(USBDevIntSet - 0x3102 020C, S)	154
Table 119. SLC NAND flash DMA Data Register	(SLC_DMA_DATA - 0x2002 0038)	127	Table 148. USB Device Interrupt Priority Register -	(USBDevIntPri - 0x3102 022C, W)	155
Table 120. Functions of the Scatter/Gather DMA during a	512 byte read of NAND flash.	128	Table 149. USB Endpoint Interrupt Status Register -	(USBEpIntSt - 0x3102 0230, R)	155
Table 121. Functions of the Scatter/Gather DMA during a	512 byte write to NAND flash	129	Table 150. USB Endpoint Interrupt Enable Register -	(USBEpIntEn - 0x3102 0234, R/W)	156
Table 122. Error detection cases	132	Table 151. USB Endpoint Interrupt Clear Register -	(USBEpIntClr - 0x3102 0238, C)	157	
Table 123. ECC generation for 512 + 16 byte pages	133	Table 152. USB Endpoint Interrupt Set Register -	(USBEpIntSet - 0x3102 023C, S)	157	
Table 124. ECC checking for 512 + 16 byte pages	134	Table 153. USB Endpoint Interrupt Priority Register -	(USBEpIntPri - 0x3102 0240, W)	158	
Table 125. GPIO pin description	135	Table 154. USB Realize Endpoint Register - (USBReEp -	0x3102 0244, R/W)	158	
Table 126. Summary of GPIO registers	138	Table 155. USB Endpoint Index Register - (USBEpInd -	0x3102 0248, W)	159	
Table 127. Input Pin State Register (PIO_INP_STATE -	0x4002 8000)	139	Table 156. USB MaxPacketSize Register - (USBMaxPSize -	0x3102 024C, R/W)	160
Table 128. Output Pin Set Register (PIO_OUTP_SET -	0x4002 8004)	140	Table 157. USB Receive Data Register - (USBRxData -	0x3102 0218, R)	160
Table 129. Output Pin Clear Register (PIO_OUTP_CLR -	0x4002 8008)	141	Table 158. USB Receive Packet Length Register -		
Table 130. Output Pin State Register (PIO_OUTP_STATE -	0x4002 800C)	141			
Table 131. GPIO Direction Set Register (PIO_DIR_SET -					

continued >>

(USBRxPLen - 0x3102 0220, R)	161	Table 185. Configure Device Register	172
Table 159. USB Transmit Data Register - (USBTxData - 0x3102 021C, W)	161	Table 186. Set Mode Register	173
Table 160. USB Transmit Packet Length Register - (USBTxPLen - 0x3102 0224, W)	161	Table 187. Set Device Status Register	174
Table 161. USB Control Register - (USBCtrl - 0x3102 0228, R/W)	162	Table 188. Get Error Code Register	175
Table 162. USB Command Code Register - (USBCmdCode - 0x3102 0210, W)	163	Table 189. ReadErrorStatus Register	176
Table 163. USB Command Data Register - (USBCmdData - 0x3102 0214, R)	163	Table 190. Select Endpoint Register	177
Table 164. USB DMA Request Status Register - (USBDMARSt - 0x3102 0250, R)	163	Table 191. Set Endpoint Status Register	178
Table 165. USB DMA Request Clear Register - (USBDMARClr - 0x3102 0254, C)	164	Table 192. Clear Buffer Register	179
Table 166. USB DMA Request Clear Register - (USBDMARClr - 0x3102 0254, C)	164	Table 193. DMA descriptor	180
Table 167. USB UDCA Head Register - (USBUDCAH - 0x3102 0280, R/W)	165	Table 194. USB (OHCI) related acronyms and abbreviations used in this chapter	192
Table 168. USB EP DMA Status register - (USBEPDMASt - 0x3102 0284, R)	166	Table 195. USB external interface	193
Table 169. USB EP DMA Enable Register - (USBEPDMAEn - 0x3102 0288, S)	166	Table 196. USB Host register address definitions	194
Table 170. USB EP DMA Disable Register - (USBDEpDMADis - 0x3102 028C, C)	166	Table 197. USB external interface	197
Table 171. USB DMA Interrupt Status Register - (USBDMAIntSt - 0x3102 0290, R)	167	Table 198. USB OTG and I ² C register address definitions	198
Table 172. USB DMA Interrupt Enable Register - (USBDMAIntEn - 0x3102 0294, R/W)	167	Table 199. OTG interrupt status register - (OTG_int_status - 0x3102 0100, R)	199
Table 173. USB New DD Request Interrupt Status Register - (USBNDDRIntSt - 0x3102 02AC, R)	168	Table 200. OTG interrupt enable register - (OTG_int_enable - 0x3102 0104, R/W)	199
Table 174. USB New DD Request Interrupt Clear Register - (USBNDDRIntClr - 0x3102 02B0, C)	168	Table 201. OTG interrupt set register - (OTG_int_set - 0x3102 020C, S)	200
Table 175. USB New DD Request Interrupt Set Register - (USBNDDRIntSet - 0x3102 02B4, S)	168	Table 202. OTG interrupt clear register - (OTG_int_clear - 0x3102 010C, C)	200
Table 176. USB End Of Transfer Interrupt Status Register - (USBEoTIntSt - 0x3102 02A0, R)	169	Table 203. OTG status and control register - (OTG_status - 0x3102 0110, R/W)	200
Table 177. USB End Of Transfer Interrupt Clear Register - (USBEoTIntClr - 0x3102 02A4, C)	169	Table 204. OTG timer register - (OTG_timer - 0x3102 0114, R/W)	202
Table 178. USB End Of Transfer Interrupt Set Register - (USBEoTIntSet - 0x3102 02A8, S)	169	Table 205. OTG clock control register - (OTG_clock_control - 0x3102 0FF4, R/W)	202
Table 179. USB System Error Interrupt Status Register - (USBSysErrIntClr - 0x3102 02B8, R)	170	Table 206. OTG clock status register - (OTG_clock_status - 0x3102 0FF8, R/W)	203
Table 180. USB System Error Interrupt Clear Register - (USBSysErrIntClr - 0x3102 02BC, C)	170	Table 207. OTG module id register - (OTG_module_id - 0x3102 0FFC, R)	203
Table 181. USB System Error Interrupt Set Register - (USBSysErrIntSet - 0x3102 02C0, S)	170	Table 208. I2C RX register - (I2C_RX - 0x3102 0300, R)	204
Table 182. USB Module ID Register - (USBModId - 0x3102 02FC, R)	170	Table 209. I2C TX register - (I2C_TX - 0x3102 0300, W)	204
Table 183. Protocol engine command description	171	Table 210. I2C STS register - (I2C_STS - 0x3102 0304, R)	204
Table 184. Device Set Address Register	172	Table 211. I2C CTL Register - (I2C_CTL - 0x3102 0308, R/W)	206
		Table 212. I2C CLock High register - (I2C_CLKHI - 0x3102 030C, R/W)	208
		Table 213. I2C Clock Low register - (I2C_CLKLO - 0x3102 0310, R/W)	208
		Table 214. B to A HNP switching	210
		Table 215. A to B HNP switching	213
		Table 216. Standard UART Pin Description	215
		Table 217. Standard UART base addresses	217
		Table 218. Registers for each standard UART	218
		Table 219. Additional control registers for standard UARTs	219

continued >>

Table 220. UART Receiver Buffer Register (UnRBR - 0x4008 0000, 0x4008 8000, 0x4009 0000, 0x4009 8000)	219	Table 243. High Speed UARTn Transmitter FIFO Register (HSUn_TX - 0x4001 4000, 0x4001 8000, 0x4001 C000)	236
Table 221. UARTn Transmitter Holding Register (UnTHR - 0x4008 0000, 0x4008 8000, 0x4009 0000, 0x4009 8000)	220	Table 244. High Speed UARTn Level Register (HSUn_LEVEL - 0x4001 4004, 0x4001 8004, 0x4001 C004)	236
Table 222. UARTn Divisor Latch LSB Register (UnDLL - 0x4008 0000, 0x4008 8000, 0x4009 0000, 0x4009 8000)	220	Table 245. High Speed UARTn Interrupt Identification Register (HSUn_IIR - 0x4001 4008, 0x4001 8008, 0x4001 C008)	237
Table 223. UARTn Divisor Latch MSB Register (UnDLM - 0x4008 0004, 0x4008 8004, 0x4009 0004, 0x4009 8004)	220	Table 246. High Speed UARTn Control Register (HSUn_CTRL - 0x4001 400C, 0x4001 800C, 0x4001 C00C)	239
Table 224. UARTn Interrupt Enable Register (UnIER - 0x4008 0004, 0x4008 8004, 0x4009 0004, 0x4009 8004)	221	Table 247. High Speed UARTn Rate Control Register (HSUn_RATE - 0x4001 4010, 0x4001 8010, 0x4001 C010)	241
Table 225. UARTn Interrupt Identification Register (UnIIR - 0x4008 0008, 0x4008 8008, 0x4009 0008, 0x4009 8008)	221	Table 248. Examples of high speed UART bit rates	241
Table 226. UARTn interrupt handling	222	Table 249. SPI pin description	243
Table 227. UARTn FIFO Control Register (UnFCR - 0x4008 0008, 0x4008 8008, 0x4009 0008, 0x4009 8008)	223	Table 250. Summary of SPI registers	246
Table 228. UARTn Line Control Register (UnLCR - 0x4008 000C, 0x4008 800C, 0x4009 000C, 0x4009 800C)	224	Table 251. SPIn Global Control register (SPIn_GLOBAL - 0x2008 8000, 0x2009 0000)	247
Table 229. UARTn Line Status Register (UnLSR - 0x4008 0014, 0x4008 8014, 0x4009 0014, 0x4009 8014)	225	Table 252. SPIn Control register (SPIn_CON - 0x2008 8004, 0x2009 0004)	248
Table 230. UARTn Rx FIFO Level Register (UnRXLEV - 0x4008 001C, 0x4008 801C, 0x4009 001C, 0x4009 801C)	226	Table 253. SPIn Frame Count register (SPIn_FRM - 0x2008 8008, 0x2009 0008)	249
Table 231. UARTn Clock Select Registers (Un_CLK - 0x4000 40D0; 0x4000 40D4; 0x4000 40D8; 0x4000 40DC)	226	Table 254. SPIn Interrupt Enable register (SPIn_IER - 0x2008 800C, 0x2009 000C)	249
Table 232. IrDA Clock Control Register (IRDACLK - 0x4000 40E0)	227	Table 255. SPIn Status Register (SPIn_STAT - 0x2008 8010, 0x2009 0010)	250
Table 233. UART Control Register (UART_CTRL - 0x4005 4000)	227	Table 256. SPIn Data Buffer register (SPIn_DAT - 0x2008 8014, 0x2009 0014)	250
Table 234. UART Clock Mode Register (UART_CLKMODE - 0x4005 4004)	228	Table 257. SPIn Timer Control register (SPIn_TIM_CTRL - 0x2008 8400, 0x2009 0400)	251
Table 235. UART Loopback Control Register (UART_LOOP - 0x4005 4008)	229	Table 258. SPIn Timer Counter register (SPIn_TIM_COUNT - 0x2008 8404, 0x2009 0404)	251
Table 236. Baud rates generated using the pre-divider	230	Table 259. SPIn Timer Status register (SPIn_TIM_STAT - 0x2008 8408, 0x2009 0408)	251
Table 237. Baud rates generated using the pre-divider	231	Table 260. Examples of SPI bit rates	252
Table 238. IrDA pulse timing	232	Table 261. SD card interface pin description	254
Table 239. UART1, 2, and 7 pin description	233	Table 262. Command format	257
Table 240. Standard UART base addresses	233	Table 263. Short response format	257
Table 241. High speed UART register summary	235	Table 264. Long response format	258
Table 242. High Speed UARTn Receiver FIFO Register (HSUn_RX - 0x4001 4000, 0x4001 8000, 0x4001 C000)	236	Table 265. Command path status flags	258
		Table 266. CRC token status	261
		Table 267. Data path status flags	262
		Table 268. Transmit FIFO status flags	263
		Table 269. Receive FIFO status flags	263
		Table 270. Secure Digital card interface register summary	263
		Table 271. Power control register (SD_Power - 0x2009 8000)	264
		Table 272. Clock control register (SD_Clock -	

continued >>

0x2009 8004)	265	(KS_SCAN_CTL, RW - 0x4005 000C)	282
Table 273. Argument register (SD_Argument - 0x2009 8008)	265	Table 303. Keypad Scan Clock Control register (KS_FAST_TST, RW - 0x4005 0010)	282
Table 274. Command register (SD_Command - 0x2009 800C)	266	Table 304. Keypad Matrix Dimension Select register (KS_MATRIX_DIM, RW - 0x4005 0014)	282
Table 275. Command response types	266	Table 305. Keypad Data Register 0 (KS_DATA0, RO - 0x4005 0040)	283
Table 276. Command response register (SD_Respcmd - 0x2009 8010)	266	Table 306. Keypad Data Register 1 (KS_DATA1, RO - 0x4005 0044)	283
Table 277. Response registers (SD_Response0-3 - 0x2009 8014, 018, 01C, 020)	267	Table 307. Keypad Data Register 2 (KS_DATA2, RO - 0x4005 0048)	283
Table 278. Response register type.	267	Table 308. Keypad Data Register 3 (KS_DATA3, RO - 0x4005 004C)	283
Table 279. Data timer register (SD_DataTimer - 0x2009 8024)	267	Table 309. Keypad Data Register 4 (KS_DATA4, RO - 0x4005 0050)	283
Table 280. Data length register (SD_DataLength - 0x2009 8028)	267	Table 310. Keypad Data Register 5 (KS_DATA5, RO - 0x4005 0054)	284
Table 281. Data control register (SD_DataCtrl - 0x2009 802C)	268	Table 311. Keypad Data Register 6 (KS_DATA6, RO - 0x4005 0058)	284
Table 282. Data counter register (SD_DataCnt - 0x2009 8030)	268	Table 312. Keypad Data Register 7 (KS_DATA7, RO - 0x4005 005C)	284
Table 283. Status register (SD_Status - 0x2009 8034)	269	Table 313. High speed timer pin description	285
Table 284. Clear register (SD_Clear - 0x2009 8038)	269	Table 314. High speed timer registers.	286
Table 285. Interrupt mask registers (SD_Maskx - 0x2009 803C, 040)	270	Table 315. High Speed Timer Interrupt Status register (HSTIM_INT, RW - 0x4003 8000)	287
Table 286. FIFO counter register (SD_FIFOcnt - 0x2009 8048)	271	Table 316. High Speed Timer Control register (HSTIM_CTRL, RW - 0x4003 8004)	287
Table 287. Data FIFO register (SD_FIFO - 0x2009 8080 to 0x2009 80BC)	271	Table 317. High Speed Timer Counter Value register (HSTIM_COUNTER, RW - 0x4003 8008)	287
Table 288. I ² C-bus pin description	273	Table 318. High Speed Timer Prescale Counter Match register (HSTIM_PMATCH, RW - 0x4003 800C)	288
Table 289. Standard UART base addresses	273	Table 319. High Speed Timer Prescale Counter register (HSTIM_PCOUNT, RW - 0x4003 8010)	288
Table 290. I ² C registers	274	Table 320. High Speed Timer Match Control register (HSTIM_MCTRL, RW - 0x4003 8014)	288
Table 291. I2Cn RX Data FIFO (I2Cn_RX - 0x400A 0000, 0x400A 8000)	274	Table 321. High Speed Timer Match 0 register (HSTIM_MATCH0, RW - 0x4003 8018)	289
Table 292. I2Cn TX Data FIFO (I2Cn_TX - 0x400A 0000, 0x400A 8000)	274	Table 322. High Speed Timer Match 1 register (HSTIM_MATCH1, RW - 0x4003 801C)	289
Table 293. I2Cn Status register (I2Cn_STS - 0x400A 0004, 0x400A 8004)	275	Table 323. High Speed Timer Match 2 register (HSTIM_MATCH2, RW - 0x4003 8020)	289
Table 294. I2Cn Control Register (I2Cn_CTRL - 0x400A 0008, 0x400A 8008)	276	Table 324. High Speed Timer Capture Control Register (HSTIM_CCR, RW - 0x4003 8028)	290
Table 295. I2Cn Clock Divider High (I2Cn_CLK_HI - 0x400A 000C, 0x400A 800C)	277	Table 325. High Speed Timer Capture 0 Register (HSTIM_CR0, RO - 0x4003 802C)	290
Table 296. I2Cn Clock Divider Low (I2Cn_CLK_LO - 0x400A 0010, 0x400A 8010)	277	Table 326. High Speed Timer Capture 1 Register (HSTIM_CR1, RO - 0x4003 8030)	290
Table 297. Example I ² C rate settings	278	Table 327. Millisecond timer registers	293
Table 298. Keyboard scan registers.	280	Table 328. Millisecond Timer Interrupt Status register (MSTIM_INT, RW - 0x4003 4000)	293
Table 299. Keypad De-bouncing Duration register (KS_DEB, RW - 0x4005 0000)	281		
Table 300. Keypad State Machine Current State register (KS_STATE_COND, RO - 0x4005 0004)	281		
Table 301. Keypad Interrupt register (KS_IRQ, RW - 0x4005 0008)	282		
Table 302. Keypad Scan Delay Control register			

continued >>

Table 329. Millisecond Timer Control register (MSTIM_CTRL, RW - 0x4003 4004)	294	(WDTIM_RES, RO - 0x4003 C01C)	311
Table 330. Millisecond Timer Counter Value register (MSTIM_COUNTER, RW - 0x4003 4008)	294	Table 357. A/D pin description	312
Table 331. Millisecond Timer Match Control register (MSTIM_MCTRL, RW - 0x4003 4014)	294	Table 358. A/D registers	313
Table 332. Millisecond Timer Match 0 register (MSTIM_MATCH0, RW - 0x4003 4018)	295	Table 359. A/D Status Register (ADSTAT - 0x4004 8000)	314
Table 333. Millisecond Timer Match 1 register (MSTIM_MATCH1, RW - 0x4003 401C)	295	Table 360. A/D Select Register (ADSEL - 0x4004 8004)	314
Table 334. PWM frequencies	296	Table 361. A/D Control register (ADCON - 0x4004 8008)	315
Table 335. Pulse Width Modulator register map	297	Table 362. A/D Data register (ADDAT - 0x4004 8048)	315
Table 336. PWM1 Control Register (PWM1_CTRL, RW - 0x4005 C000)	297	Table 363. Endian behavior	319
Table 337. PWM2 Control Register (PWM2_CTRL, RW - 0x4005 C004)	298	Table 364. Peripheral connections to the DMA controller and matching flow control signals.	322
Table 338. Recommended values for the RTC external 32 kHz oscillator C _{X1/X2} components	301	Table 365. Register summary	323
Table 339. RTC registers	302	Table 366. DMA Interrupt Status Register (DMACIntStat - 0x3100 0000)	325
Table 340. RTC Up Counter Value register (RTC_UCOUNT, RW - 0x4002 4000)	303	Table 367. DMA Interrupt Terminal Count Request Status Register (DMACIntTCStat - 0x3100 0004)	325
Table 341. RTC Down Counter Value register (RTC_DCOUNT, RW - 0x4002 4004)	303	Table 368. DMA Interrupt Terminal Count Request Clear Register (DMACIntTCClear - 0x3100 0008)	325
Table 342. RTC Match 0 register (RTC_MATCH0, RW - 0x4002 4008)	303	Table 369. DMA Interrupt Error Status Register (DMACIntErrStat - 0x3100 000C)	325
Table 343. RTC Match 1 Register (RTC_MATCH1, RW - 0x4002 400C)	303	Table 370. DMA Interrupt Error Clear Register (DMACIntErrClr - 0x3100 0010)	326
Table 344. RTC Control register (RTC_CTRL, RW - 0x4002 4010)	304	Table 371. DMA Raw Interrupt Terminal Count Status Register (DMACRawIntTCStat - 0x3100 0014)	326
Table 345. RTC Interrupt Status Register (RTC_INTSTAT, RW - 0x4002 4014)	305	Table 372. DMA Raw Error Interrupt Status Register (DMACRawIntErrStat - 0x3100 0018)	326
Table 346. RTC Key Register (RTC_KEY, RW - 0x4002 4018)	305	Table 373. DMA Enabled Channel Register (DMACEnbldChns - 0x3100 001C)	327
Table 347. Battery RAM (RTC_SRAM, RW - 0x4002 4080 - 40FF)	305	Table 374. DMA Software Burst Request Register (DMACSoftBReq - 0x3100 0020)	327
Table 348. Watchdog timer registers	308	Table 375. DMA Software Single Request Register (DMACSoftSReq - 0x3100 0024)	327
Table 349. Watchdog Timer Interrupt Status Register (WDTIM_INT, RW - 0x4003 C000)	308	Table 376. DMA Software Last Burst Request Register (DMACSoftLBReq - 0x3100 0028)	328
Table 350. Watchdog Timer Control Register (WDTIM_CTRL, RW - 0x4003 C004)	309	Table 377. DMA Software Last Single Request Register (DMACSoftLSReq - 0x3100 002C)	328
Table 351. Watchdog Timer Counter Value Register (WDTIM_COUNTER, RW - 0x4003 C008)	309	Table 378. DMA Configuration Register (DMACConfig - 0x3100 0030)	329
Table 352. Watchdog Timer Match Control Register (WDTIM_MCTRL, RW - 0x4003 C00C)	309	Table 379. DMA Synchronization Register (DMACSync - 0x3100 0034)	329
Table 353. Watchdog Timer Match 0 Register (WDTIM_MATCH0, RW - 0x4003 C010)	310	Table 380. DMA Channel Source Address Registers (DMACCxSrcAddr - 0x3100 01x0)	330
Table 354. Watchdog Timer External Match Control Register (WDTIM_EMR, RW - 0x4003 C014)	310	Table 381. DMA Channel Destination Address registers (DMACCxDestAddr - 0x3100 01x4)	330
Table 355. Watchdog Timer Reset Pulse Length Register (WDTIM_PULSE, RW - 0x4003 C018)	311	Table 382. DMA Channel Linked List Item registers (DMACCxLLI - 0x3100 01x8)	330
Table 356. Watchdog Timer Reset Source Register		Table 383. DMA channel control registers (DMACCxControl - 0x3100 01xC)	331
		Table 384. Channel Configuration registers (DMACCxConfig	

continued >>

- 0x3100 01x0)	334	Table 421. Keyboard pins	367
Table 385. Flow control and transfer type bits	335	Table 422. Keyboard functions that are alternate functions of other pins	367
Table 386. Peripheral ID register 0 (DMACPeriphID0 - 0xFFE0 4FE0)	336	Table 423. PWM pins	367
Table 387. Peripheral ID register 1 (DMACPeriphID1 - 0xFFE0 4FE4)	336	Table 424. SPI pins	368
Table 388. Peripheral ID register 2 (DMACPeriphID2 - 0xFFE0 4FE8)	336	Table 425. SPI functions that are alternate functions of other pins	368
Table 389. Peripheral ID register 3 (DMACPeriphID3 - 0xFFE0 4FEC)	336	Table 426. I ² C-bus pins	368
Table 390. PrimeCell ID register 0 (DMACPCellID0 - 0xFFE0 4FF0)	337	Table 427. Pin multiplexing	369
Table 391. PrimeCell ID register 1 (DMACPCellID1 - 0xFFE0 4FF4)	337	Table 428. Abbreviations	371
Table 392. PrimeCell ID register 2 (DMACPCellID2 - 0xFFE0 4FF8)	338		
Table 393. PrimeCell ID register 3 (DMACPCellID3 - 0xFFE0 4FFC)	338		
Table 394. DMA request signal usage	340		
Table 395. UART boot handshake	347		
Table 396. Bootstrap download protocol communication parameters for UART5	348		
Table 397. NAND flash devices recognized by the bootloader	351		
Table 398. 8-bit flash read as 16-bit flash	351		
Table 399. Interface Configuration data (ICR)	352		
Table 400. Interface Configuration data (ICR)	352		
Table 401. BOOT_ID	352		
Table 402. EmbeddedICE-RT pin description	354		
Table 403. ETM configuration	355		
Table 404. Debug Control register (DEBUG_CTRL, RW - 0x4004 0000)	357		
Table 405. Master Grant Debug Mode register (DEBUG_GRANT, RW - 0x4004 0004)	357		
Table 406. LPC3180 pinout for LFBGA320	359		
Table 407. Definition of parameter abbreviations	361		
Table 408. Summary of system pins	361		
Table 409. System functions that are alternate functions of other pins	362		
Table 410. USB pins	362		
Table 411. SDRAM interface pins	363		
Table 412. NAND Flash interface pins	363		
Table 413. SD card pins	364		
Table 414. GPI pins	364		
Table 415. GPO pins	364		
Table 416. GPIO pins	365		
Table 417. Debug pins	366		
Table 418. UART pins	366		
Table 419. UART functions that are alternate functions of other pins	366		
Table 420. A/D pins	367		

continued >>

4. Figures

Fig 1.	LPC3180 overview diagram	4	Fig 44.	High speed UART pin connections	235
Fig 2.	LPC3180 block diagram	10	Fig 45.	High speed UART timing	242
Fig 3.	Overall LPC3180 memory map	12	Fig 46.	SPI pin connections and output logic	244
Fig 4.	LPC3180 block diagram, AHB matrix view	15	Fig 47.	Secure digital memory card connection	254
Fig 5.	Power-up reset	18	Fig 48.	Secure digital memory card connection	255
Fig 6.	Clock generation for the LPC3180.	23	Fig 49.	Command path state machine	256
Fig 7.	Power mode transitions	25	Fig 50.	Command transfer	257
Fig 8.	Start controller with core voltage selection and SDRAM self refresh control	27	Fig 51.	Data path state machine	259
Fig 9.	Main oscillator control	30	Fig 52.	Pending command start	261
Fig 10.	PLL397 and external low pass filtering	31	Fig 53.	I ² C-bus configuration.	273
Fig 11.	Block diagram of the HCLK and USB PLLs.	32	Fig 54.	I ² C-bus configuration.	273
Fig 12.	SYSCLK source clock switching	37	Fig 55.	Keyboard scan 8 × 8 block diagram. (Only a 3 × 3 external key matrix is shown).	280
Fig 13.	SDRAM controller connections	59	Fig 56.	Keyboard scan state diagram	281
Fig 14.	DDR DQS delay calibration	79	Fig 57.	High speed timer block	286
Fig 15.	Block diagram of the interrupt controller	81	Fig 58.	Timer cycle with PR=2, MRx=6, and both interrupt and reset on match enabled	291
Fig 16.	Bit slice of interrupt controller.	82	Fig 59.	Timer cycle with PR=2, MRx=6, and both interrupt and stop on match enabled.	291
Fig 17.	NAND flash controllers.	91	Fig 60.	Millisecond timer block diagram	293
Fig 18.	MLC NAND flash controller	92	Fig 61.	PWM block diagram	297
Fig 19.	Small page partitioning to accommodate the 10 bytes of ECC parity data	95	Fig 62.	ONSW logic shown for Match 0 only.	301
Fig 20.	Large page partitioning to accommodate the 10 bytes of ECC parity data	96	Fig 63.	RTC block diagram	302
Fig 21.	NAND flash connections	119	Fig 64.	Watchdog timer block diagram	307
Fig 22.	Block diagram of the SLC NAND flash controller.	120	Fig 65.	Reset examples	307
Fig 23.	Block diagram of ECC generation	130	Fig 66.	Block diagram of the ADC.	313
Fig 24.	Graphical view of column and line parity	131	Fig 67.	DMA controller block diagram.	318
Fig 25.	Connections for GPI, GPO, GPIO, and SDRAM GPIO signals	136	Fig 68.	LLI example.	345
Fig 26.	GPO_00 alternate functions	138	Fig 69.	UART boot procedure	349
Fig 27.	USB device controller block diagram.	147	Fig 70.	NAND flash boot procedure	350
Fig 28.	Maxpacket register array indexing.	160	Fig 71.	EmbeddedICE-RT debug environment block diagram	354
Fig 29.	UDCA Head register and DMA descriptors	165	Fig 72.	ETM/ETB debug environment block diagram	356
Fig 30.	Finding the DMA descriptor	185			
Fig 31.	Data transfer in ATLE mode.	187			
Fig 32.	Isochronous OUT endpoint operation example	191			
Fig 33.	USB Host Controller Block Diagram	193			
Fig 34.	USB OTG controller block diagram	196			
Fig 35.	USB OTG controller with software stack	209			
Fig 36.	ISP_1301 interface example	214			
Fig 37.	Standard UART block diagram	216			
Fig 38.	UART pin connections	217			
Fig 39.	UART6 IrDA clocking	227			
Fig 40.	Baud rate generation for standard UARTs.	230			
Fig 41.	UART6 connections.	231			
Fig 42.	UART6 connections	232			
Fig 43.	Standard UART block diagram	234			

continued >>

5. Contents

Chapter 1: Introductory information

1	Introduction	3	3.4	I/O	8
2	Features	4	3.5	Timer/counters and Real-Time Clock (RTC) ..	8
3	Microcontroller CPU and peripherals	6	3.6	System control and analog blocks	8
3.1	Vector Floating-Point (VFP) co-processor	6	3.7	Debug and trace blocks	9
3.2	Memory controllers	7	3.8	Architectural power management	9
3.3	Serial communication peripherals	7	4	Block diagram	10

Chapter 2: Bus architecture and memory map

1	Bus architecture and memory map	11	3.3.2	AHB to APB bridges	17
1.1	CPU memory space	12	3.4	Transfer performance	17
1.2	USB memory space	13	3.4.1	Matrix throughput	17
2	Peripheral addresses	13	3.4.2	SDRAM throughput	17
3	Bus architecture	15	3.5	Arbitration	17
3.1	Block diagram, AHB matrix view	15	3.6	Data coherency	17
3.2	AHB matrices	16	3.6.1	SDRAM	17
3.3	Bus bridges	16	3.6.2	ARM CPU	17
3.3.1	AHB to FAB bridge	16			

Chapter 3: System control

1	System control block	18	1.2	Boot Map control register (BOOT_MAP - 0x4000 4014)	18
1.1	Reset	18			

Chapter 4: Clocking and power control

1	Introduction	20	6.2	HLCK and USB PLL operation	31
2	Overview	20	6.3	PLL control bit descriptions	32
3	Clocking and power control	21	6.4	PLL modes and frequency calculation	33
3.1	Clock identification	21	6.4.1	Power-down mode	34
3.2	Default clock settings	23	6.4.2	Direct mode	34
4	Operational modes	24	6.4.3	Bypass mode	34
4.1	RUN mode	24	6.4.4	Direct Bypass mode	34
4.2	Direct RUN mode	24	6.4.5	Integer mode	34
4.3	STOP mode	24	6.4.6	Non-integer mode	35
4.4	Start controller and related functions	25	6.4.7	Notes about the USB PLL	35
4.4.1	Start controller	25	6.4.8	Example settings for the HCLK PLL	35
4.4.2	Core voltage selection	27	7	Clock dividers	36
4.4.3	SDRAM self-refresh control	28	8	SYSClk switching	36
4.4.4	System clock request	28	8.1	Clock switching details	38
4.5	Autoclocking	29	9	Clock usage in peripheral blocks	38
5	Oscillators	29	10	Register description	39
5.1	Main oscillator control	29	10.1	Power Control register (PWR_CTRL - 0x4000 4044)	40
6	PLLs	30			
6.1	PLL397	30			

continued >>

10.2	Main Oscillator Control register (OSC_CTRL - 0x4000 404C)	41	10.15	Start Activation Polarity Register for Internal Sources (START_APR_INT - 0x4000 402C)	50
10.3	SYSCLK Control register (SYSCLK_CTRL - 0x4000 4050)	41	10.16	Start Activation Polarity Register for Pin Sources (START_APR_PIN - 0x4000 403C)	50
10.4	PLL397 Control register (PLL397_CTRL - 0x4000 4048)	42	10.17	DMA Clock Control register (DMACLK_CTRL - 0x4000 40E8)	50
10.5	HCLK PLL Control register (HCLKPLL_CTRL - 0x4000 4058)	43	10.18	UART Clock Control register (UARTCLK_CTRL - 0x4000 40E4)	51
10.6	HCLK Divider Control register (HCLKDIV_CTRL - 0x4000 4040)	44	10.19	USB Control register (USB_CTRL - 0x4000 4064)	51
10.7	Test Clock Selection register (TEST_CLK - 0x4000 40A4)	45	10.20	Memory Card Control register (MS_CTRL - 0x4000 4080)	53
10.8	Autoclock Control register (AUTOCLK_CTRL - 0x4000 40EC)	46	10.21	I ² C Clock Control register (I2CCLK_CTRL - 0x4000 40AC)	53
10.9	Start Enable register for Internal Sources (START_ER_INT - 0x4000 4020)	47	10.22	Keyboard Scan Clock Control register (KEYCLK_CTRL - 0x4000 40B0)	54
10.10	Start Enable register for Pin Sources (START_ER_PIN - 0x4000 4030)	47	10.23	ADC Clock Control register (ADCLK_CTRL - 0x4000 40B4)	54
10.11	Start Raw Status Register for Internal Sources (START_RSR_INT - 0x4000 4024)	48	10.24	PWM Clock Control register (PWMCLK_CTRL - 0x4000 40B8)	54
10.12	Start Raw Status Register for Pin Sources (START_RSR_PIN - 0x4000 4034)	49	10.25	Timer Clock Control register (TIMCLK_CTRL - 0x4000 40BC)	55
10.13	Start Status Register for Internal Sources (START_SR_INT - 0x4000 4028)	49	10.26	SPI Block Control register (SPI_CTRL - 0x4000 40C4)	55
10.14	Start Status Register for Pin Sources (START_SR_PIN - 0x4000 4038)	49	10.27	NAND Flash Clock Control register (FLASHCLK_CTRL - 0x4000 40C8)	56

Chapter 5: SDRAM memory controller

1	Introduction	58	2.8	Dynamic Memory Precharge Command Period Register (MPMCDynamicRP - 0x3108 0030)	68
1.1	Features of the SDRAM controller	58	2.9	Dynamic Memory Active to Precharge Command Period Register (MPMCDynamicRAS - 0x3108 0034)	68
1.2	SDRAM controller pins	58	2.10	Dynamic Memory Self-refresh Exit Time Register (MPMCDynamicSREX - 0x3108 0038)	69
1.3	Bus hold circuits	59	2.11	Dynamic Memory Write Recovery Time Register (MPMCDynamicWR - 0x3108 0044)	69
1.4	Supported memory devices	60	2.12	Dynamic Memory Active To Active Command Period Register (MPMCDynamicRC - 0x3108 0048)	70
1.5	SDRAM self-refresh mode	61	2.13	Dynamic Memory Auto-refresh Period Register (MPMCDynamicRFC - 0x3108 004C)	70
2	Register description	61	2.14	Dynamic Memory Exit Self-refresh Register (MPMCDynamicXSR - 0x3108 0050)	71
2.1	SDRAM Clock Control Register (SDRAMCLK_CTRL - 0x4000 4068)	62	2.15	Dynamic Memory Active Bank A to Active Bank B Time Register (MPMCDynamicRRD - 0x3108 0054)	71
2.2	SDRAM Controller Control Register (MPMCCControl - 0x3108 0000)	63	2.16	Dynamic Memory Load Mode Register To Active Command Time (MPMCDynamicMRD - 0x3108 0058)	71
2.3	SDRAM Controller Status Register (MPMCStatus - 0x3108 0004)	64			
2.4	SDRAM Controller Configuration Register (MPMCCConfig - 0x3108 0008)	65			
2.5	Dynamic Memory Control Register (MPMCDynamicControl - 0x3108 0020)	65			
2.6	Dynamic Memory Refresh Timer Register (MPMCDynamicRefresh - 0x3108 0024)	66			
2.7	Dynamic Memory Read Configuration Register (MPMCDynamicReadConfig - 0x3108 0028)	67			

continued >>

2.17	Dynamic Memory Last Data In to Read Command Time (MPMCDynamicCDLR - 0x3108 005C)	72	2.22	SDRAM Controller AHB Timeout Registers (MPMCAHBTime0, 2-4 - 0x3108 0408, 0448, 0468, 0488)	76
2.18	Dynamic Memory Configuration Register (MPMCDynamicConfig0 - 0x3108 0100)	72	2.23	DDR Calibration Nominal Value (DDR_LAP_NOM - 0x4000 406C)	76
2.19	Dynamic Memory RAS and CAS Delay Register (MPMCDynamicRasCas0 - 0x3108 0104)	75	2.24	DDR Calibration Measured Value (DDR_LAP_COUNT - 0x4000 4070)	77
2.20	SDRAM Controller AHB Control Registers (MPMCAHBControl0, 2-4 - 0x3108 0400, 0440, 0460, 0480)	75	2.25	DDR Calibration Delay Value (DDR_CAL_DELAY - 0x4000 4074)	77
2.21	SDRAM Controller AHB Status Registers (MPMCAHBStatus0, 2-4 - 0x3108 0404, 0444, 0464, 0484)	76	2.26	Ring Oscillator Control Register (RINGOSC_CTRL - 0x4000 4088)	77
			3	DDR DQS delay calibration	78

Chapter 6: Interrupt controller

1	Introduction	80	4.6	Main Interrupt Controller Activation Polarity Register (MIC_APR - 0x4000 800C; Sub1 Activation Polarity Register (SIC1_APR - 0x4000 C00C); Sub2 Activation Polarity Register (SIC2_APR - 0x4001 000C)	87
2	Features	80	4.7	Main Interrupt Controller Activation Type Register (MIC_ATR - 0x4000 8010); Sub1 Activation Type Register (SIC1_ATR - 0x4000 C010); Sub2 Activation Type Register (SIC2_ATR - 0x4001 0010)	88
3	Description	80	4.8	Main Interrupt Controller Interrupt Type Register (MIC_ITR - 0x4000 8014); Sub1 Interrupt Type Register (SIC1_ITR - 0x4000 C014); Sub2 Interrupt Type Register (SIC2_ITR - 0x4001 0014)	88
4	Register description	83	4.9	Software Interrupt Register (SW_INT - 0x4000 40A8)	88
4.1	Interrupt Enable Register for the Main Interrupt Controller (MIC_ER - 0x4000 8000)	83			
4.2	Interrupt Enable Register for Sub Interrupt Controller 1 (SIC1_ER - 0x4000 C000)	84			
4.3	Interrupt Enable Register for Sub Interrupt Controller 2 (SIC2_ER - 0x4001 0000)	85			
4.4	Main Interrupt Controller Raw Status Register (MIC_RSR - 0x4000 8004); Sub1 Raw Status Register (SIC1_RSR - 0x4000 C004); Sub2 Raw Status Register (SIC2_RSR - 0x4001 0004)	86			
4.5	Main Interrupt Controller Status Register (MIC_SR - 0x4000 8008); Sub1 Status Register (SIC1_SR - 0x4000 C008); Sub2 Status Register (SIC2_SR - 0x4001 0008)	87			

Chapter 7: Multi-level NAND flash controller

1	Introduction	89	4.3.1.2	Large block NAND flash devices	95
2	Features	89	4.3.2	Supported commands	96
3	Pin descriptions	89	4.3.2.1	Serial data input command	98
3.1	Interrupt signals from NAND flash controllers.	90	4.3.2.2	Read mode (1)	98
3.2	DMA request signals from flash controllers	90	4.3.2.3	Read mode (3)	98
4	MLC NAND flash controller functional description	91	4.3.2.4	Auto program commands	98
4.1	Reed-Solomon encoder/decoder	92	4.3.2.5	Status Read commands	98
4.1.1	Large block NAND flash support	93	4.3.2.6	Software configurable block write protection	99
4.1.2	Erased page detection support	93	5	Register description	99
4.2	Serial data buffer	93	5.1	MLC NAND flash Command register (MLC_CMD, RW - 0x200B 8000)	100
4.3	Operation	93	5.2	MLC NAND flash Address register (MLC_ADDR, WO - 0x200B 8004)	100
4.3.1	Page format	94			
4.3.1.1	Small block NAND flash devices	94			

continued >>

5.3	MLC NAND ECC Encode Register (MLC_ECC_ENC_REG, WO - 0x200B 8008)	101	5.15	MLC NAND Interrupt Mask Register (MLC_IRQ_MR, WO - 0x200B 8038)	106
5.4	MLC NAND ECC Decode Register (MLC_ECC_DEC_REG, WO - 0x200B 800C)	101	5.16	MLC NAND Interrupt Status Register (MLC_IRQ_SR, RO - 0x200B 803C)	107
5.5	MLC NAND ECC Auto Encode Register (MLC_ECC_AUTO_ENC_REG, WO - 0x200B 8010)	102	5.17	MLC NAND Lock Protection Register (MLC_LOCK_PR, WO - 0x200B 8044)	108
5.6	MLC NAND ECC Auto Decode Register (MLC_ECC_AUTO_DEC_REG, WO - 0x200B 8014)	103	5.18	MLC NAND Status Register (MLC_ISR, RO - 0x200B 8048)	109
5.7	MLC NAND Read Parity Register (MLC_RPR, WO - 0x200B 8018)	104	5.19	MLC NAND Chip-Enable Host Control register (MLC_CEH, WO - 0x200B 804C)	110
5.8	MLC NAND Write Parity Register (MLC_WPR, WO - 0x200B 801C)	104	6	MLC NAND controller usage	110
5.9	MLC NAND Reset User Buffer Pointer register (MLC_RUBP, WO - 0x200B 8020)	104	6.1	Small block page read operation	111
5.10	MLC NAND Reset Overhead Buffer Pointer register (MLC_ROBP, WO - 0x200B 8024)	105	6.1.1	Read Mode (1)	111
5.11	MLC NAND Software Write Protection Address Low register (MLC_SW_WP_ADD_LOW, WO - 0x200B 8028)	105		Normal decode.	111
5.12	MLC NAND Software Write Protection Address High register (MLC_SW_WP_ADD_HIG, WO - 0x200B 802C)	105		Auto decode.	111
5.13	MLC NAND Controller Configuration register (MLC_ICR, WO - 0x200B 8030)	105	6.1.2	Read Mode (3)	112
5.14	MLC NAND Timing Register (MLC_TIME_REG, WO - 0x200B 8034)	106	6.2	Large block page read operation	112
			6.2.1	Read Mode (1)	112
				Normal decode.	113
			6.2.2	Auto decode.	113
			6.3	Read Mode (3)	113
			6.4	Small block page write operation	114
				Normal encode.	114
				Auto encode.	114
			6.4	Large block page write operation	115
				Normal encode.	115
				Auto encode.	116
			6.5	Block erase operation	116
			6.6	Other operations	117

Chapter 8: Single-level NAND flash controller

1	Introduction	118	6.4	SLC NAND flash STOP register (SLC_STOP - 0x2002 000C)	122
2	Features	118	6.5	SLC NAND flash Control register (SLC_CTRL - 0x2002 0010)	123
3	Pin descriptions	118	6.6	SLC NAND flash Configuration register (SLC_CFG - 0x2002 0014)	123
3.1	Interrupt signals from NAND flash controllers	118	6.7	SLC NAND flash Status register (SLC_STAT - 0x2002 0018)	124
3.2	DMA request signals from flash controllers .	119	6.8	SLC NAND flash Interrupt Status register (SLC_INT_STAT - 0x2002 001C)	124
4	SLC NAND flash controller description	119	6.9	SLC NAND flash Interrupt Enable register (SLC_IEN - 0x2002 0020)	124
5	DMA interface	120	6.10	SLC NAND flash Interrupt Set Register (SLC_ISR - 0x2002 0024)	125
5.1	DMASREQ	120	6.11	SLC NAND flash Interrupt Clear Register (SLC_ICR - 0x2002 0028)	125
5.1.1	DMABREQ	120	6.12	SLC NAND flash Timing Arcs configuration register (SLC_TAC - 0x2002 002C)	125
5.1.2	DMACLR	121			
5.2	Data FIFO	121			
6	Register description	121			
6.1	SLC NAND flash Data register (SLC_DATA - 0x2002 0000)	121			
6.2	SLC NAND flash Address register (SLC_ADDR - 0x2002 0004)	122			
6.3	SLC NAND flash Command register (SLC_CMD - 0x2002 0008)	122			

continued >>

6.13	SLC NAND flash Transfer Count register (SLC_TC - 0x2002 0030)	126	8	Error checking and correction	129
6.14	SLC NAND flash Error Correction Code register (SLC_ECC - 0x2002 0034)	126	8.1	How an ECC Code is generated on a 256 byte data block	130
6.15	SLC NAND flash DMA Data Register (SLC_DMA_DATA - 0x2002 0038)	127	8.1.1	How to detect errors	132
7	SLC NAND flash read/write sequences	127		No error	132
7.1	Sequence to read a 528 byte page with scatter/gather DMA from SLC NAND flash . .	127		Correctable error	132
7.1.1	DMA functions	128	8.1.2	Uncorrectable error	132
7.2	Sequence to program a 528 byte page with scatter/gather DMA from SLC NAND flash . .	128	8.2	ECC code area error	133
7.2.1	DMA functions	129	8.2.1	Finding the location of correctable errors . . .	133
				How to generate ECC on pages greater than 256 bytes	133
				Example for (512 + 16) byte pages	133

Chapter 9: General purpose input/output

1	Features	135	5.5	GPIO Direction Set Register (PIO_DIR_SET - 0x4002 8010)	141
2	Applications	135	5.6	GPIO Direction Clear Register (PIO_DIR_CLR - 0x4002 8014)	142
3	Pin description	135	5.7	GPIO Direction State Register (PIO_DIR_STATE - 0x4002 80018)	142
4	GPIO functional description	136	5.8	Input Pin State register for SDRAM pins (PIO_SDINP_STATE - 0x4002 801C)	142
4.1	Inputs	137	5.9	Output Pin Set register for SDRAM pins (PIO_SDOUTP_SET - 0x4002 8020)	143
4.2	Outputs	137	5.10	Output Pin Clear register for SDRAM pins (PIO_SDOUTP_CLR - 0x4002 8024)	143
4.3	Bidirectional pins	137	5.11	PIO Multiplexer control Set register (PIO_MUX_SET - 0x4002 8028)	144
4.4	SDRAM bus GPIOs	137	5.12	PIO Multiplexer control Clear register (PIO_MUX_CLR - 0x4002 802C)	144
4.5	Alternate functions	137	5.13	PIO Multiplexer State register (PIO_MUX_STATE - 0x4002 8030)	144
5	Register description	138			
5.1	Input Pin State Register (PIO_INP_STATE - 0x4002 8000)	138			
5.2	Output Pin Set Register (PIO_OUTP_SET - 0x4002 8004)	139			
5.3	Output Pin Clear Register (PIO_OUTP_CLR - 0x4002 8008)	140			
5.4	Output Pin State Register (PIO_OUTP_STATE - 0x4002 800C)	141			

Chapter 10: USB device controller

1	Introduction	145	3.3	Clock	150
1.1	Features	146	3.4	Power requirements	150
1.2	Fixed endpoint configuration	146	3.4.1	Suspend and resume (Wake-up)	150
1.3	Architecture	147	3.4.2	Power management support	150
2	Data flow	148	3.4.3	Remote wake-up	151
2.1	Data flow from USB host to the device	148	3.5	Software interface	151
2.2	Data flow from device to the host	148	3.5.1	Register map	151
2.3	Slave mode transfer	148	3.6	USB device register definitions	153
2.4	DMA mode transfer	149	3.6.1	USB Device Interrupt Status Register - (USBDevIntSt - 0x3102 0200, R)	153
2.5	Interrupts	149	3.6.2	USB Device Interrupt Enable Register - (USBDevIntEn - 0x3102 0204, R/W)	153
3	Interfaces	149			
3.1	Pin description	149			
3.2	AHB interface	150			

continued >>

3.6.3	USB Device Interrupt Clear Register - (USBDevIntClr - 0x3102 0208, C)	154	3.7.17	USB EP DMA Disable Register - (USBDEpDMADis - 0x3102 028C, C)	166
3.6.4	USB Device Interrupt Set Register - (USBDevIntSet - 0x3102 020C, S)	154	3.7.18	USB DMA Interrupt Status Register - (USBDMAIntSt - 0x3102 0290, R)	167
3.6.5	USB Device Interrupt Priority Register - (USBDevIntPri - 0x3102 022C, W)	154	3.7.19	USB DMA Interrupt Enable Register - (USBDMAIntEn - 0x3102 0294, R/W)	167
3.6.6	USB Endpoint Interrupt Status Register - (USBEPIntSt - 0x3102 0230, R)	155	3.7.20	USB New DD Request Interrupt Status Register - (USBNDDRIntSt - 0x3102 02AC, R)	167
3.6.7	USB Endpoint Interrupt Enable Register - (USBEPIntEn - 0x3102 0234, R/W)	156	3.7.21	USB New DD Request Interrupt Clear Register - (USBNDDRIntClr - 0x3102 02B0, C)	168
3.6.8	USB Endpoint Interrupt Clear Register - (USBEPIntClr - 0x3102 0238, C)	156	3.7.22	USB New DD Request Interrupt Set Register - (USBNDDRIntSet - 0x3102 02B4, S)	168
3.6.9	USB Endpoint Interrupt Set Register - (USBEPIntSet - 0x3102 023C, S)	157	3.7.23	USB End Of Transfer Interrupt Status Register - (USBEoTIntSt - 0x3102 02A0, R)	168
3.6.10	USB Endpoint Interrupt Priority Register - (USBEPIntPri - 0x3102 0240, W)	157	3.7.24	USB End Of Transfer Interrupt Clear Register - (USBEoTIntClr - 0x3102 02A4, C)	169
3.6.11	USB Realize Endpoint Register - (USBReEp - 0x3102 0244, R/W)	158	3.7.25	USB End Of Transfer Interrupt Set Register - (USBEoTIntSet - 0x3102 02A8, S)	169
3.7	EP_RAM requirements	159	3.7.26	USB System Error Interrupt Status Register - (USBSysErrIntClr - 0x3102 02B8, R)	169
3.7.1	USB Endpoint Index Register - (USBEPInd - 0x3102 0248, W)	159	3.7.27	USB System Error Interrupt Clear Register - (USBSysErrIntClr - 0x3102 02BC, C)	170
3.7.2	USB MaxPacketSize Register - (USBMaxPSize - 0x3102 024C, R/W)	160	3.7.28	USB System Error Interrupt Set Register - (USBSysErrIntSet - 0x3102 02C0, S)	170
3.7.3	USB Receive Data Register - (USBRxData - 0x3102 0218, R)	160	3.7.29	USB Module ID Register - (USBModId - 0x3102 02FC, R)	170
3.7.4	USB Receive Packet Length Register - (USBRxPLen - 0x3102 0220, R)	160	3.8	Protocol engine command description	171
3.7.5	USB Transmit Data Register - (USBTxData - 0x3102 021C, W)	161	3.8.1	Read Current Frame Number command example	171
3.7.6	USB Transmit Packet Length Register - (USBTxPLen - 0x3102 0224, W)	161	3.8.1.1	Set Address	172
3.7.7	USB Control Register - (USBCtrl - 0x3102 0228, R/W)	161	3.8.1.2	Configure Device	172
3.7.8	Slave mode data transfer	162	3.8.1.3	Set Mode	173
3.7.9	USB Command Code Register - (USBCmdCode - 0x3102 0210, W)	162	3.8.1.4	Read Current Frame Number	173
3.7.10	USB Command Data Register - (USBCmdData - 0x3102 0214, R)	163	3.8.1.5	Read Test Register	174
3.7.11	USB DMA Request Status Register - (USBDMARSt - 0x3102 0250, R)	163	3.8.1.6	Set Device Status	174
3.7.12	USB DMA Request Clear Register - (USBDMARClr - 0x3102 0254, C)	163	3.8.1.7	Get Device Status	175
3.7.13	USB DMA Request Set Register - (USBDMARSet - 0x3102 0258, S)	164	3.8.1.8	Get Error Code	175
3.7.14	USB UDCA Head Register - (USBUDCAH - 0x3102 0280, R/W)	165	3.8.1.9	ReadErrorStatus	176
3.7.15	USB EP DMA Status register - (USBEPDMASt - 0x3102 0284, R)	165	3.8.1.10	Select Endpoint	176
3.7.16	USB EP DMA Enable Register - (USBEPDMAEn - 0x3102 0288, S)	166	3.8.1.11	Select Endpoint/Clear Interrupt	177
			3.8.1.12	Set Endpoint Status	177
			3.8.1.13	Clear Buffer	178
			3.8.1.14	Validate Buffer	179
			3.9	DMA descriptor	180
			3.9.1	Next_DD_pointer	181
			3.9.2	DMA_mode	181
			3.9.3	Next_DD_valid	181
			3.9.4	Isochronous_endpoint	181
			3.9.5	Max_packet_size	181
			3.9.6	DMA_buffer_length	182
			3.9.7	DMA_buffer_start_addr	182

continued >>

3.9.8	DD_retired	182	4.3.1.5	Ending the packet transfer	185
3.9.9	DD_status	182	4.3.1.6	No_Packet DD	186
3.9.10	Packet_valid	182	4.3.2	Concatenated transfer (ATLE) mode operation	186
3.9.11	LS_byte_extracted	182	4.3.2.1	OUT transfer in ATLE mode	187
3.9.12	MS_byte_extracted	183	4.3.2.2	IN transfer in ATLE mode	188
3.9.13	Present_DMA_count	183	4.3.2.3	Setting up the DMA transfer	189
3.9.14	Message_length_position	183	4.3.2.4	Finding the DMA descriptor	189
3.9.15	Isochronous_packetsize_memory_address	183	4.3.2.5	Transferring the data	189
4	DMA operation	183	4.3.2.6	Ending the packet transfer	189
4.1	Triggering the DMA engine	183	4.4	Isochronous endpoint operation	189
4.2	Arbitration between endpoints	183	4.4.1	Setting up the DMA transfer	190
4.3	Non isochronous endpoint operation	184	4.4.1.1	Finding the DMA descriptor	190
4.3.1	Normal mode operation	184	4.4.2	Transferring the data	190
4.3.1.1	Setting up DMA transfer	184	4.4.2.1	Isochronous OUT endpoint operation example	190
4.3.1.2	Finding DMA descriptor	184			
4.3.1.3	Transferring the data	185			
4.3.1.4	Optimizing descriptor fetch	185			

Chapter 11: USB host (OHCI) controller

1	Introduction	192	2.1	Pin description	193
1.1	Features	192	2.2	Software interface	193
1.2	Architecture	192	2.2.1	Register map	193
2	Interfaces	193	2.2.2	USB Host Register Definitions	195

Chapter 12: USB OTG controller

1	Introduction	196	2.3.2.8	OTG clock control register - (OTG_clock_control - 0x3102 0FF4, R/W)	202
1.1	Features	196	2.3.2.9	OTG clock status register - (OTG_clock_status - 0x3102 0FF8, R/W)	203
1.1.1	Architecture	196	2.3.2.10	OTG module id register - (OTG_module_id - 0x3102 0FFC, R)	203
2	Modes of operation	197	2.3.2.11	I2C RX register - (I2C_RX - 0x3102 0300, R)	204
2.1	Pin description	197	2.3.2.12	I2C TX register - (I2C_TX - 0x3102 0300, W)	204
2.2	Software interface	197	2.3.2.13	I2C STS register - (I2C_STS - 0x3102 0304, R)	204
2.3	Interrupts	197	2.3.2.14	I2C CTL Register - (I2C_CTL - 0x3102 0308, R/W)	206
2.3.1	Register map	197	2.3.2.15	I2C CLock High register - (I2C_CLKHI - 0x3102 030C, R/W)	207
2.3.2	USB OTG Register Definitions	199	2.3.2.16	I2C Clock Low register - (I2C_CLKLO - 0x3102 0310, R/W)	208
2.3.2.1	OTG interrupt status register - (OTG_int_status - 0x3102 0100, R)	199	2.3.3	OTG switching	208
2.3.2.2	OTG interrupt enable register - (OTG_int_enable - 0x3102 0104, R/W)	199	2.3.3.1	B to A HNP switching	209
2.3.2.3	OTG interrupt set register - (OTG_int_set - 0x3102 020C, S)	200	2.3.3.2	A to B HNP Switching	212
2.3.2.4	OTG interrupt clear register - (OTG_int_clear - 0x3102 010C, C)	200	2.4	External transceiver interface	214
2.3.2.5	OTG status and control register - (OTG_status - 0x3102 0110, R/W)	200			
2.3.2.6	UART mode	201			
2.3.2.7	OTG timer register - (OTG_timer - 0x3102 0114, R/W)	202			

continued >>

Chapter 13: Standard UARTs

1	Introduction	215	6.8	UARTn FIFO Control Register (UnFCR - 0x4008 0008, 0x4008 8008, 0x4009 0008, 0x4009 8008)	223
2	Features	215	6.9	UARTn Line Control Register (UnLCR - 0x4008 000C, 0x4008 800C, 0x4009 000C, 0x4009 800C)	223
3	Pin description	215	6.10	UARTn Line Status Register (UnLSR - 0x4008 0014, 0x4008 8014, 0x4009 0014, 0x4009 8014)	224
4	Functional description	215	6.11	UARTn Rx FIFO Level Register (UnRXLEV - 0x4008 001C, 0x4008 801C, 0x4009 001C, 0x4009 801C)	226
4.1	UART clock modes	216	6.12	UARTn Clock Select Registers (Un_CLK - 0x4000 40D0; 0x4000 40D4; 0x4000 40D8; 0x4000 40DC)	226
5	UART base addresses	217	6.13	IrDA Clock Control Register (IRDACLK - 0x4000 40E0)	226
6	Register description	217	6.14	UART Control Register (UART_CTRL - 0x4005 4000)	227
6.1	Primary UART control registers	217	6.15	UART Clock Mode Register (UART_CLKMODE - 0x4005 4004)	228
6.2	Additional UART control registers	219	6.16	UART Loopback Control Register (UART_LOOP - 0x4005 4008)	229
6.3	UART Receiver Buffer Register (UnRBR - 0x4008 0000, 0x4008 8000, 0x4009 0000, 0x4009 8000)	219	7	Baud rate calculation	230
6.4	UARTn Transmitter Holding Register (UnTHR - 0x4008 0000, 0x4008 8000, 0x4009 0000, 0x4009 8000)	219	7.1	Examples of baud rate values	230
6.5	UARTn Divisor Latch LSB Register (UnDLL - 0x4008 0000, 0x4008 8000, 0x4009 0000, 0x4009 8000); UARTn Divisor Latch MSB Register (UnDLM - 0x4008 0004, 0x4008 8004, 0x4009 0004, 0x4009 8004)	220	7.1.1	Rates generated using only the pre-divider	230
6.6	UARTn Interrupt Enable Register (UnIER - 0x4008 0004, 0x4008 8004, 0x4009 0004, 0x4009 8004)	220	7.1.2	Rates generated using only the UART baud rate generator	231
6.7	UARTn Interrupt Identification Register (UnIIR - 0x4008 0008, 0x4008 8008, 0x4009 0008, 0x4009 8008)	221	8	IRDA encoding and decoding	231

Chapter 14: High speed UARTs

1	Introduction	233	6.3	High Speed UARTn Level Register (HSUn_LEVEL - 0x4001 4004, 0x4001 8004, 0x4001 C004)	236
2	Features	233	6.4	High Speed UARTn Interrupt Identification Register (HSUn_IIR - 0x4001 4008, 0x4001 8008, 0x4001 C008)	237
3	Pin description	233	6.5	High Speed UARTn Control Register (HSUn_CTRL - 0x4001 400C, 0x4001 800C, 0x4001 C00C)	238
4	High speed UART base addresses	233	6.6	High Speed UARTn Rate Control Register (HSUn_RATE - 0x4001 4010, 0x4001 8010, 0x4001 C010)	241
5	Functional description	234	6.7	Other relevant registers	241
5.1	DMA support	235	6.7.1	Clock status	241
6	Register description	235	6.7.2	Loopback mode	241
6.1	High Speed UARTn Receiver FIFO Register (HSUn_RX - 0x4001 4000, 0x4001 8000, 0x4001 C000)	236	7	Rate calculation for the high speed UARTs	241
6.2	High Speed UARTn Transmitter FIFO Register (HSUn_TX - 0x4001 4000, 0x4001 8000, 0x4001 C000)	236			

continued >>

8 **UART timing** **242****Chapter 15: SPI controllers**

1	Introduction	243
2	Features	243
3	Pin description	243
4	Functional description	243
4.1	Single frame transfers	244
4.2	Block transfers	245
4.3	DMA mode	246
4.4	Busy signal	246
4.5	Single-master multiple-slave support	246
5	Register description	246
5.1	SPIn Global Control register (SPIn_GLOBAL - 0x2008 8000, 0x2009 0000)	247
5.2	SPIn Control register (SPIn_CON - 0x2008 8004, 0x2009 0004)	247
5.3	SPIn Frame Count register (SPIn_FRM - 0x2008 8008, 0x2009 0008)	249

5.4	SPIn Interrupt Enable register (SPIn_IER - 0x2008 800C, 0x2009 000C)	249
5.5	SPIn Status Register (SPIn_STAT - 0x2008 8010, 0x2009 0010)	249
5.6	SPIn Data Buffer register (SPIn_DAT - 0x2008 8014, 0x2009 0014)	250
5.7	SPIn Timer Control register (SPIn_TIM_CTRL - 0x2008 8400, 0x2009 0400)	251
5.8	SPIn Timer Counter register (SPIn_TIM_COUNT - 0x2008 8404, 0x2009 0404)	251
5.9	SPIn Timer Status register (SPIn_TIM_STAT - 0x2008 8408, 0x2009 0408)	251
6	Timed interrupt and DMA time-out modes	252
6.1	Timed interrupt mode	252
6.2	DMA time-out mode	252
7	Rate calculation	252

Chapter 16: SD card interface

1	Introduction	254
2	Features	254
3	Pin description	254
4	Functional description	254
4.1	Adapter register block	255
4.2	Control unit	255
4.3	Command path	256
4.3.1	Command path state machine	256
4.3.2	Command format	257
4.4	Data path	258
4.4.1	Data path state machine	258
4.4.1.1	IDLE	259
4.4.1.2	WAIT_R	259
4.4.1.3	RECEIVE	259
4.4.1.4	WAIT_S	260
4.4.1.5	SEND	260
4.4.1.6	BUSY	260
4.4.1.7	Data timer	260
4.4.2	Data counter	260
4.4.3	Bus mode	261
4.4.4	CRC token status	261
4.4.5	Status flags	261
4.4.6	CRC generator	262
4.5	Data FIFO	262
4.5.1	Transmit FIFO	262
4.5.2	Receive FIFO	263
4.6	APB interface	263

5	Register description	263
5.1	Power control register (SD_Power - 0x2009 8000)	264
5.2	Clock control register (SD_Clock - 0x2009 8004)	265
5.3	Argument register (SD_Argument - 0x2009 8008)	265
5.4	Command register (SD_Command - 0x2009 800C)	265
5.5	Command response register (SD_Respcmd - 0x2009 8010)	266
5.6	Response registers (SD_Response0-3 - 0x2009 8014, 018, 01C, 020)	266
5.7	Data timer register (SD_DataTimer - 0x2009 8024)	267
5.8	Data length register (SD_DataLength - 0x2009 8028)	267
5.9	Data control register (SD_DataCtrl - 0x2009 802C)	268
5.10	Data counter register (SD_DataCnt - 0x2009 8030)	268
5.11	Status register (SD_Status - 0x2009 8034)	268
5.12	Clear register (SD_Clear - 0x2009 8038)	269
5.13	Interrupt mask registers (SD_Maskx - 0x2009 803C, 040)	270
5.14	FIFO counter register (SD_FIFOcnt - 0x2009 8048)	271

continued >>

5.15	Data FIFO register (SD_FIFO - 0x2009 8080 to 0x2009 80BC)	271
------	---	-----

Chapter 17: I²C interfaces

1	Features	272	5.3	I2Cn Status register (I2Cn_STS - 0x400A 0004, 0x400A 8004)	275
2	Applications	272	5.4	I2Cn Control Register (I2Cn_CTRL - 0x400A 0008, 0x400A 8008)	276
3	Description	272	5.5	I2Cn Clock Divider High (I2Cn_CLK_HI - 0x400A 000C, 0x400A 800C)	277
4	Pin description	273	5.6	I2Cn Clock Divider Low (I2Cn_CLK_LO - 0x400A 0010, 0x400A 8010)	277
5	Register description	273	6	I²C clock settings	278
5.1	I2Cn RX Data FIFO (I2Cn_RX - 0x400A 0000, 0x400A 8000)	274			
5.2	I2Cn TX Data FIFO (I2Cn_TX - 0x400A 0000, 0x400A 8000)	274			

Chapter 18: Keyboard scan

1	Features	279	3.6	Keypad Matrix Dimension Select register (KS_MATRIX_DIM, RW - 0x4005 0014) . . .	282
2	Functional description	279	3.7	Keypad Data Register 0 (KS_DATA0, RO - 0x4005 0040)	283
2.1	Clocking	279	3.8	Keypad Data Register 1 (KS_DATA1, RO - 0x4005 0044)	283
2.2	Multiplexing of pins	279	3.9	Keypad Data Register 2 (KS_DATA2, RO - 0x4005 0048)	283
2.3	Keyboard scan operation	279	3.10	Keypad Data Register 3 (KS_DATA3, RO - 0x4005 004C)	283
3	Register description	280	3.11	Keypad Data Register 4 (KS_DATA4, RO - 0x4005 0050)	283
3.1	Keypad De-bouncing Duration register (KS_DEB, RW - 0x4005 0000)	281	3.12	Keypad Data Register 5 (KS_DATA5, RO - 0x4005 0054)	284
3.2	Keypad State Machine Current State register (KS_STATE_COND, RO - 0x4005 0004) . . .	281	3.13	Keypad Data Register 6 (KS_DATA6, RO - 0x4005 0058)	284
3.3	Keypad Interrupt register (KS_IRQ, RW - 0x4005 0008)	282	3.14	Keypad Data Register 7 (KS_DATA7, RO - 0x4005 005C)	284
3.4	Keypad Scan Delay Control register (KS_SCAN_CTL, RW - 0x4005 000C)	282			
3.5	Keypad Scan Clock Control register (KS_FAST_TST, RW - 0x4005 0010)	282			

Chapter 19: High speed timer

1	Features	285	4.4	High Speed Timer Prescale Counter Match register (HSTIM_PMATCH, RW - 0x4003 800C)	288
2	Pin description	285	4.5	High Speed Timer Prescale Counter register (HSTIM_PCOUNT, RW - 0x4003 8010)	288
3	Description	285	4.6	High Speed Timer Match Control register (HSTIM_MCTRL, RW - 0x4003 8014)	288
4	Register description	286	4.7	High Speed Timer Match 0 register (HSTIM_MATCH0, RW - 0x4003 8018)	289
4.1	High Speed Timer Interrupt Status register (HSTIM_INT, RW - 0x4003 8000)	287	4.8	High Speed Timer Match 1 register (HSTIM_MATCH1, RW - 0x4003 801C)	289
4.2	High Speed Timer Control register (HSTIM_CTRL, RW - 0x4003 8004)	287	4.9	High Speed Timer Match 2 register (HSTIM_MATCH2, RW - 0x4003 8020)	289
4.3	High Speed Timer Counter Value register (HSTIM_COUNTER, RW - 0x4003 8008)	287			

continued >>

4.10	High Speed Timer Capture Control Register (HSTIM_CCR, RW - 0x4003 8028)	290	4.12	High Speed Timer Capture 1 Register (HSTIM_CR1, RO - 0x4003 8030)	290
4.11	High Speed Timer Capture 0 Register (HSTIM_CR0, RO - 0x4003 802C)	290	5	Examples of timer operation	291

Chapter 20: Millisecond timer

1	Features	292	3.3	Millisecond Timer Counter Value register (MSTIM_COUNTER, RW - 0x4003 4008) . .	294
2	Description	292	3.4	Millisecond Timer Match Control register (MSTIM_MCTRL, RW - 0x4003 4014)	294
3	Register description	293	3.5	Millisecond Timer Match 0 register (MSTIM_MATCH0, RW - 0x4003 4018)	295
3.1	Millisecond Timer Interrupt Status register (MSTIM_INT, RW - 0x4003 4000)	293	3.6	Millisecond Timer Match 1 register (MSTIM_MATCH1, RW - 0x4003 401C)	295
3.2	Millisecond Timer Control register (MSTIM_CTRL, RW - 0x4003 4004)	294			

Chapter 21: Pulse width modulators

1	Features	296	3.1	PWM1 Control Register (PWM1_CTRL, RW - 0x4005 C000)	297
2	Description	296	3.2	PWM2 Control Register (PWM2_CTRL, RW - 0x4005 C004)	298
3	Register description	297			

Chapter 22: Real time clock and battery RAM

1	Features	299	4.3	RTC Match 0 register (RTC_MATCH0, RW - 0x4002 4008)	303
2	Description	299	4.4	RTC Match 1 Register (RTC_MATCH1, RW - 0x4002 400C)	303
2.1	RTC counter	299	4.5	RTC Control register (RTC_CTRL, RW - 0x4002 4010)	304
2.2	RTC SRAM	300	4.6	RTC Interrupt Status Register (RTC_INTSTAT, RW - 0x4002 4014)	305
2.3	RTC ONSW output	300	4.7	RTC Key Register (RTC_KEY, RW - 0x4002 4018)	305
2.4	RTC oscillator	301	4.8	Battery RAM (RTC_SRAM, RW - 0x4002 4080 - 40FF)	305
3	Architecture	302			
4	Register description	302			
4.1	RTC Up Counter Value register (RTC_UCOUNT, RW - 0x4002 4000)	303			
4.2	RTC Down Counter Value register (RTC_DCOUNT, RW - 0x4002 4004)	303			

Chapter 23: Watchdog timer

1	Features	306	3.3	Watchdog Timer Counter Value Register (WDTIM_COUNTER, RW - 0x4003 C008) . .	309
2	Description	306	3.4	Watchdog Timer Match Control Register (WDTIM_MCTRL, RW - 0x4003 C00C)	309
2.1	Reset examples	307	3.5	Watchdog Timer Match 0 Register (WDTIM_MATCH0, RW - 0x4003 C010)	310
2.2	Programmable pulse generator	308	3.6	Watchdog Timer External Match Control Register (WDTIM_EMR, RW - 0x4003 C014)	310
2.3	WDTIM_RES register	308	3.7	Watchdog Timer Reset Pulse Length Register (WDTIM_PULSE, RW - 0x4003 C018)	311
3	Register description	308			
3.1	Watchdog Timer Interrupt Status Register (WDTIM_INT, RW - 0x4003 C000)	308			
3.2	Watchdog Timer Control Register (WDTIM_CTRL, RW - 0x4003 C004)	309			

continued >>

3.8	Watchdog Timer Reset Source Register (WDTIM_RES, RO - 0x4003 C01C)	311
-----	---	-----

Chapter 24: A/D converter

1	Features	312	4.2	A/D Select Register (ADSEL - 0x4004 8004)	314
2	Description	312	4.3	A/D Control register (ADCON - 0x4004 8008)	314
3	Pin description	312	4.4	A/D Data register (ADDAT - 0x4004 8048)	315
4	Register description	313	5	A/D conversion sequence	315
4.1	A/D Status Register (ADSTAT - 0x4004 8000)	313			

Chapter 25: DMA controller

1	Introduction	317	4.8	DMA Enabled Channel Register (DMACEnbldChns - 0x3100 001C)	326
2	Features	317	4.9	DMA Software Burst Request Register (DMACSoftBReq - 0x3100 0020)	327
3	Functional description	317	4.10	DMA Software Single Request Register (DMACSoftSReq - 0x3100 0024)	327
3.1	DMA controller functional description	318	4.11	DMA Software Last Burst Request Register (DMACSoftLBReq - 0x3100 0028)	328
3.1.1	AHB slave interface	318	4.12	DMA Software Last Single Request Register (DMACSoftLSReq - 0x3100 002C)	328
3.1.2	Control logic and register bank	318	4.13	DMA Configuration Register (DMACConfig - 0x3100 0030)	328
3.1.3	DMA request and response interface	318	4.14	DMA Synchronization Register (DMACSync - 0x3100 0034)	329
3.1.4	Channel logic and channel register bank	318	4.15	DMA Channel registers	329
3.1.5	Interrupt request	318	4.16	DMA Channel Source Address Registers (DMACCxSrcAddr - 0x3100 01x0)	329
3.1.6	AHB master interface	319	4.17	DMA Channel Destination Address registers (DMACCxDestAddr - 0x3100 01x4)	330
3.1.6.1	Bus and transfer widths	319	4.18	DMA Channel Linked List Item registers (DMACCxLLI - 0x3100 01x8)	330
3.1.6.2	Endian behavior	319	4.19	DMA channel control registers (DMACCxControl - 0x3100 01xC)	331
3.1.6.3	Error conditions	321	4.19.1	Protection and access information	331
3.1.7	Channel hardware	321	4.20	Channel Configuration registers (DMACCxConfig - 0x3100 01x0)	333
3.1.8	DMA request priority	321	4.20.1	Lock control	335
3.1.9	Interrupt generation	321	4.20.2	Flow control and transfer type	335
3.2	DMA system connections	322	4.21	Peripheral Identification registers	335
3.2.1	DMA request signals	322	4.21.1	Peripheral ID register 0 (DMACPeriphID0 - 0xFFE0 4FE0)	335
3.2.2	DMA response signals	322	4.21.2	Peripheral ID register 1 (DMACPeriphID1 - 0xFFE0 4FE4)	336
4	Register description	323	4.21.3	Peripheral ID register 2 (DMACPeriphID2 - 0xFFE0 4FE8)	336
4.1	DMA Interrupt Status Register (DMACIntStat - 0x3100 0000)	324	4.21.4	Peripheral ID register 3 (DMACPeriphID3 - 0xFFE0 4FEC)	336
4.2	DMA Interrupt Terminal Count Request Status Register (DMACIntTCStat - 0x3100 0004)	325			
4.3	DMA Interrupt Terminal Count Request Clear Register (DMACIntTCClear - 0x3100 0008)	325			
4.4	DMA Interrupt Error Status Register (DMACIntErrStat - 0x3100 000C)	325			
4.5	DMA Interrupt Error Clear Register (DMACIntErrClr - 0x3100 0010)	326			
4.6	DMA Raw Interrupt Terminal Count Status Register (DMACRawIntTCStat - 0x3100 0014)	326			
4.7	DMA Raw Error Interrupt Status Register (DMACRawIntErrStat - 0x3100 0018)	326			

continued >>

4.22	PrimeCell identification registers	337			
4.22.1	PrimeCell ID register 0 (DMACPCellID0 - 0xFFE0 4FF0)	337	5.2.5	the FIFO	339
4.22.2	PrimeCell ID register 1 (DMACPCellID1 - 0xFFE0 4FF4)	337	5.2.6	Setting up a new DMA transfer	339
4.22.3	PrimeCell ID register 2 (DMACPCellID2 - 0xFFE0 4FF8)	338	5.2.7	Halting a DMA channel	339
4.22.4	PrimeCell ID register 3 (DMACPCellID3 - 0xFFE0 4FFC)	338	5.3	Programming a DMA channel	339
5	Using the DMA controller	338	5.3.1	Flow control	340
5.1	DMA efficiency	338	5.3.2	Peripheral-to-memory or memory-to-peripheral DMA flow	341
5.2	Programming the DMA controller	338	5.3.3	Peripheral-to-peripheral DMA flow	341
5.2.1	Enabling the DMA controller	338	5.4	Memory-to-memory DMA flow	342
5.2.2	Disabling the DMA controller	338	5.4.1	Interrupt requests	342
5.2.3	Enabling a DMA channel	339	5.4.1	Hardware interrupt sequence flow	343
5.2.4	Disabling a DMA channel	339	5.5	Address generation	343
	Disabling a DMA channel and losing data in the FIFO	339	5.5.1	Word-aligned transfers across a boundary	343
	Disabling the DMA channel without losing data in		5.6	Scatter/gather	344

Chapter 26: Boot process

1	Features	347	2.3.1	How the flash boot procedure reads data from flash and stores to IRAM	351
2	Description	347	2.3.2	How to store Interface Configuration data (ICR) in the flash	351
2.1	Bootstrap	347	2.3.3	How to store size information in the flash	352
2.2	UART boot procedure	349	2.3.4	How to store bad_block information	352
2.3	NAND flash boot procedure	350	2.3.5	Boot block register map	352

Chapter 27: JTAG and EmbeddedICE-RT

1	Features	353	4	Pin description	354
2	Applications	353	5	Block diagram	354
3	Description	353			

Chapter 28: ETM9 and Embedded Trace Buffer

1	Features	355	5	Register description	357
2	Applications	355	5.1	Debug Control register (DEBUG_CTRL, RW - 0x4004 0000)	357
3	Description	355	5.2	Master Grant Debug Mode register (DEBUG_GRANT, RW - 0x4004 0004)	357
3.1	ETM9 configuration	355	5.3	ETM registers	357
3.2	ETB configuration	356	5.4	ETB registers	358
4	Block diagram	356			

Chapter 29: Pinout, package, and pin multiplexing

1	LPC3180 pinout for LFBGA320 package	359	2.1.1	Additional system signals	362
2	Pin descriptions	361	2.2	USB pins	362
2.1	System pins	361	2.3	SDRAM pins	363

continued >>

2.4	NAND Flash pins	363	2.9	A/D pins	367
2.5	SD card pins	364	2.10	Keyboard pins	367
2.6	General Purpose I/O pins	364	2.10.1	Additional keyboard signals	367
2.6.1	General Purpose Inputs (GPIs)	364	2.11	PWM pins	367
2.6.2	General Purpose Outputs (GPOs)	364	2.12	SPI pins	368
2.6.3	General Purpose Input/Outputs (GPIOs)	365	2.12.1	Additional SPI signals	368
2.7	Debug pins	366	2.13	I ² C-bus pins	368
2.8	UART pins	366	2.14	Pin multiplexing	368
2.8.1	Additional UART signals	366			

Chapter 30: Supplementary information

1	Abbreviations	371	3	Tables	374
2	Legal information	372	4	Figures	382
2.1	Definitions	372	5	Contents	383
2.2	Disclaimers	372			
2.3	Trademarks	372			



Please be aware that important notices concerning this document and the product(s) described herein, have been included in section 'Legal information'.

© Koninklijke Philips Electronics N.V. 2006. All rights reserved.

For more information, please visit: <http://www.semiconductors.philips.com>.
For sales office addresses, email to: sales.addresses@www.semiconductors.philips.com.

Date of release: 6 June 2006

Document identifier: UM10198_1