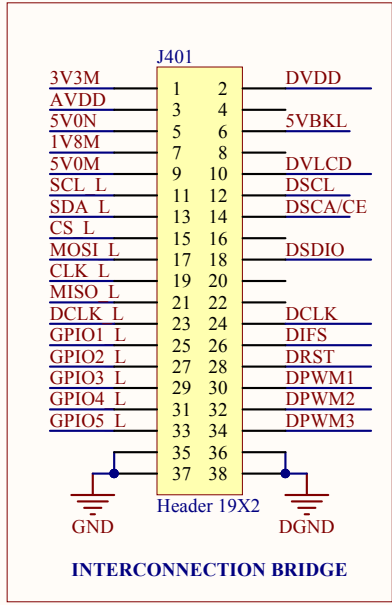


Not mount:
R105 - R106
Q101
BZ101
C120
D104
R110
R110
J101

Title			MCU
Size	Number	Revision	
A4			
Date:	6/10/2015	Sheet of	
File:	C:\Users\...\Base.SchDoc	Drawn By: P. Di Giulio	



Title			BRIDGE		
Size	Number		Revision		
A					
Date:	6/10/2015		Sheet of		
File:	C:\Users\...\Bridge.SchDoc		Drawn By: P. Di Giulio		

A

A

B

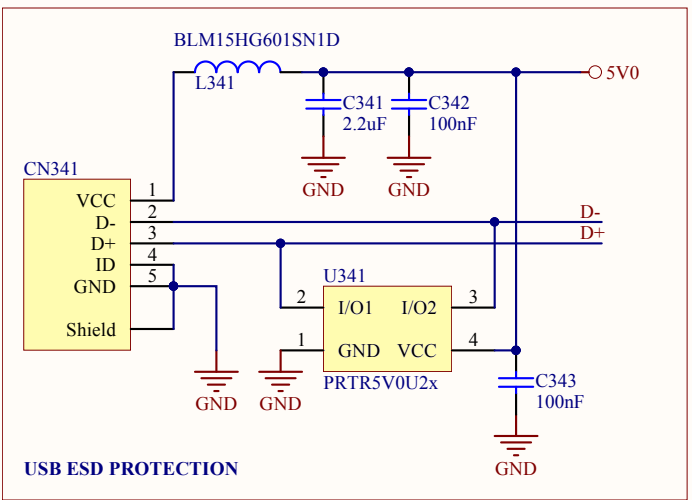
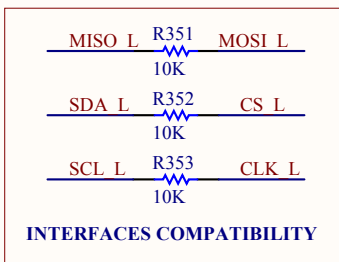
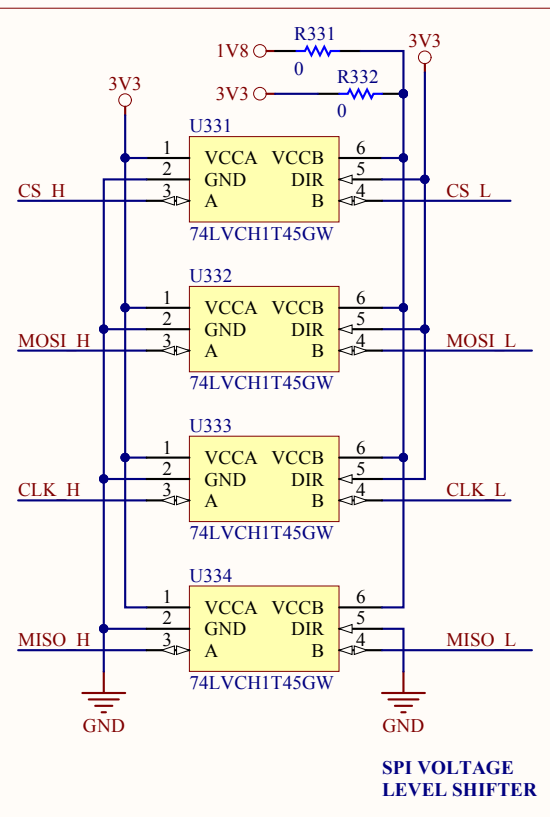
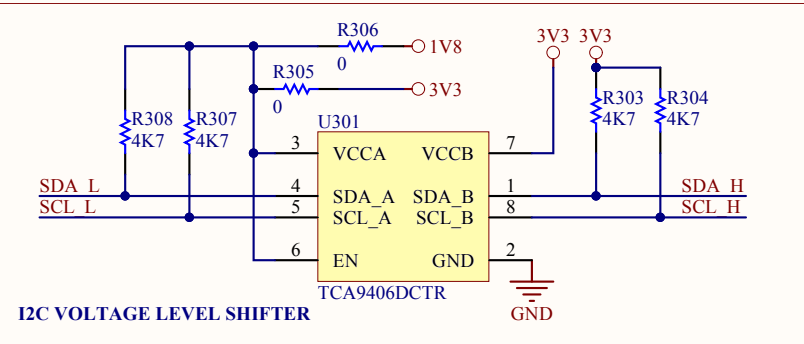
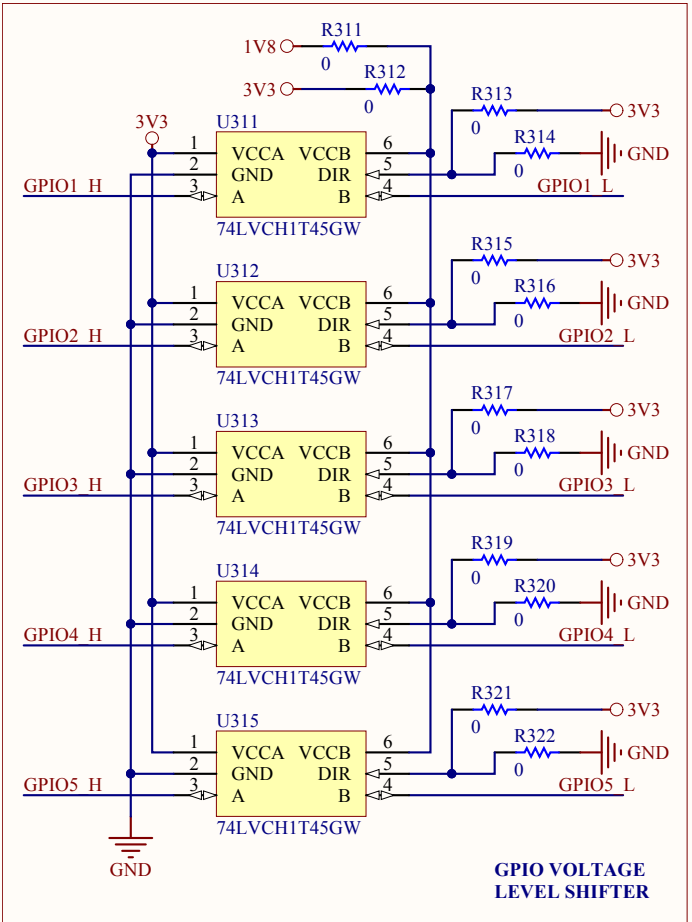
B

C

C

D

D



Not mount:
 R306
 R331 - R314 - R316 - R318 - R320 - R322
 R331 - R332 - U331 - U332 - U333 - U334
 R351 - R352 - R353

Title			INTERFACE		
Size	Number		Revision		
A					
Date:	6/10/2015		Sheet of		
File:	C:\Users\...\Interfaces.SchDoc		Drawn By:		P. Di Giulio

A

A

B

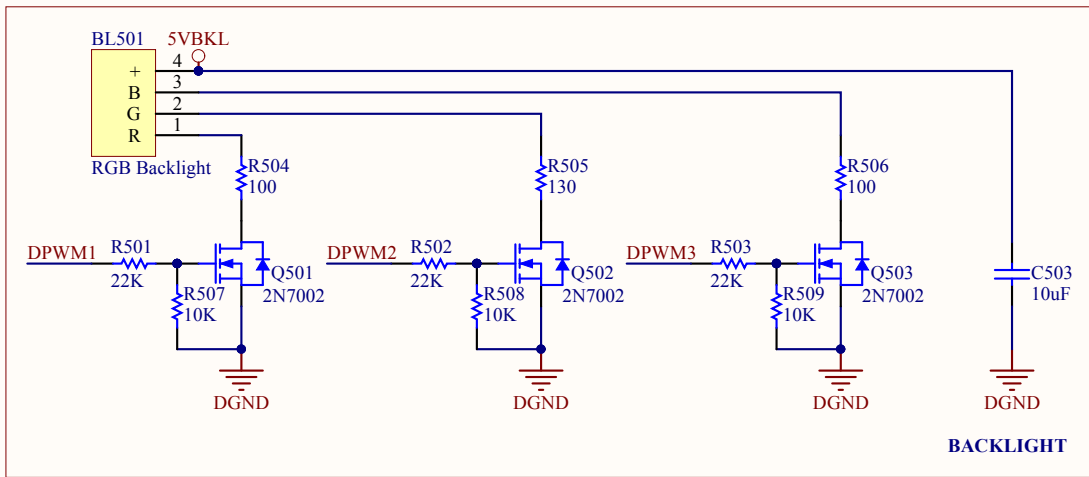
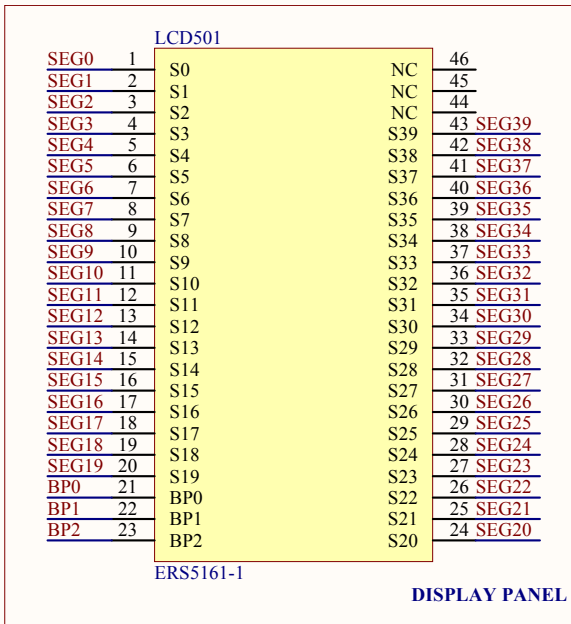
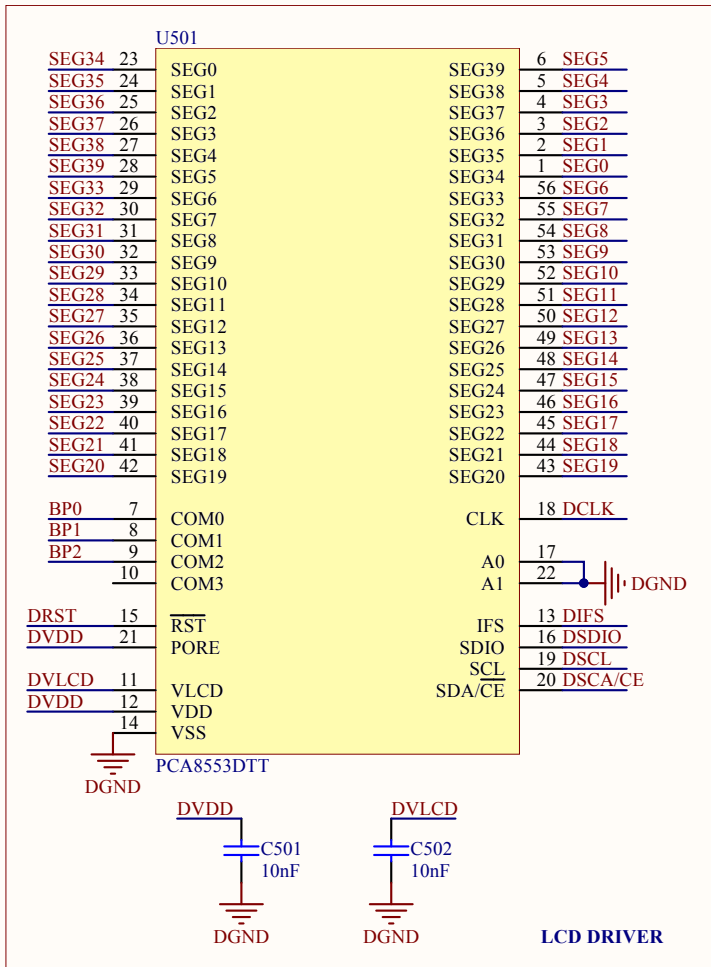
B

C

C

D

D

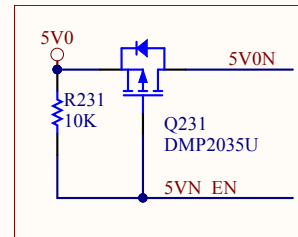
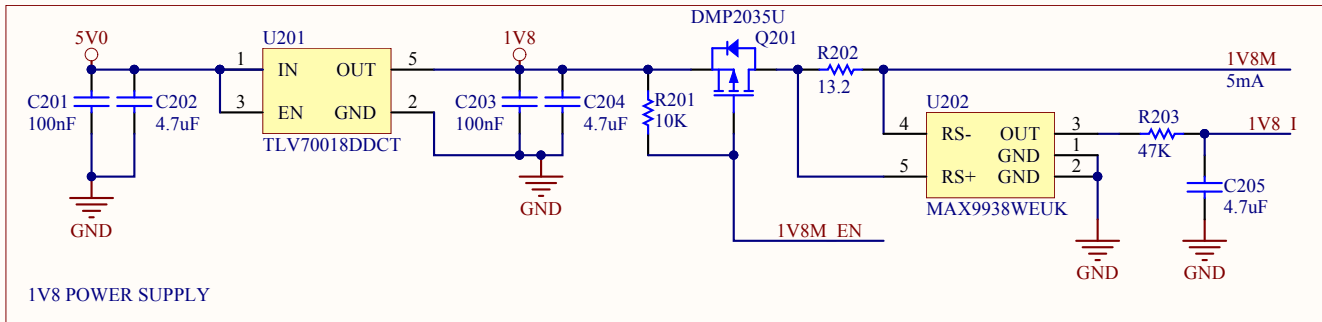


Not mount:
R507 - 508 - 509

Title		
LCD		
Size	Number	Revision
A		
Date:	6/10/2015	Sheet of
File:	C:\Users\...\PCA8553.SchDoc	Drawn By: P. Di Giulio

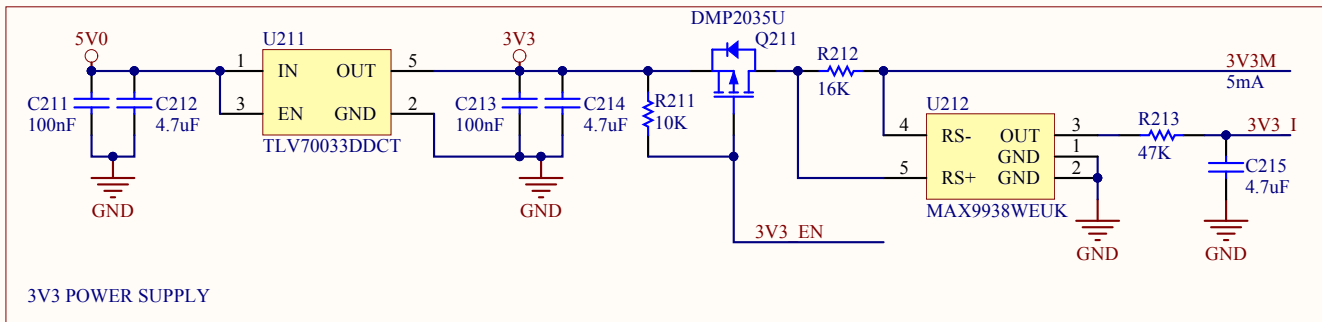
A

A



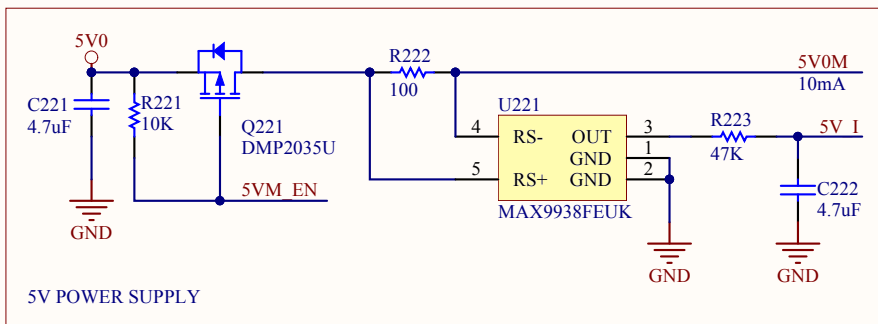
B

B



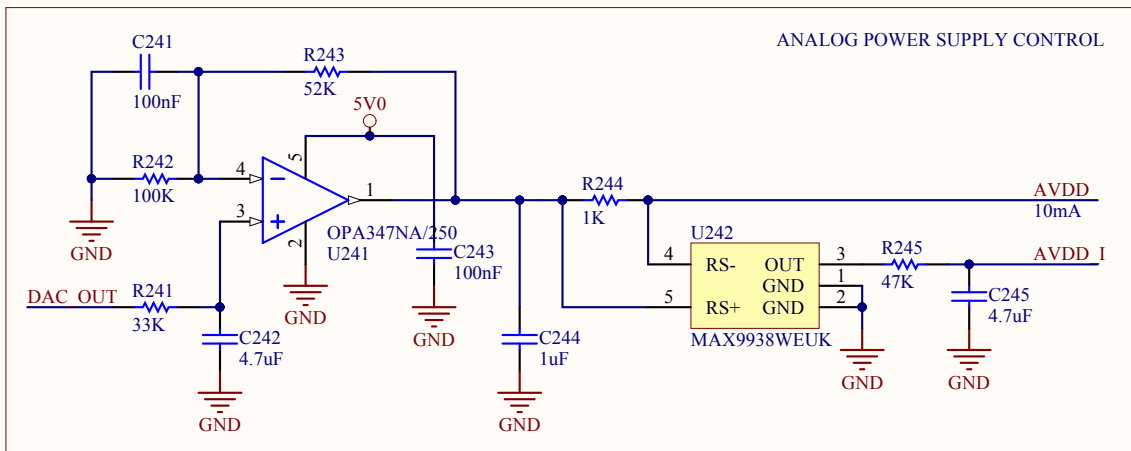
C

C



D

D



Not mount:
 R241 - R242 - R243 - R244 - R245
 C242 - C241 - C243 - C244 - C245
 U241 - U242

R201 - R202 - R203
 C201 - C202 - C203 - C204 - C205
 Q201
 U201 - U202

Title			POWER SUPPLY		
Size	Number		Revision		
A					
Date:	6/10/2015		Sheet of		
File:	C:\Users\...\Power.SchDoc		Drawn By:		P. Di Giulio