


**Table of Contents**

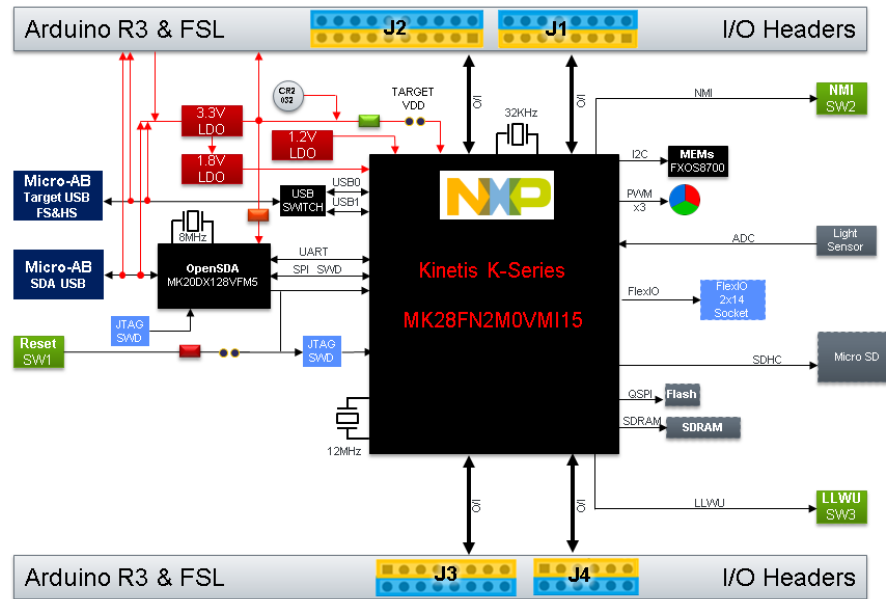
|   |                            |
|---|----------------------------|
| 1 | Title                      |
| 2 | Block Diagram              |
| 3 | K28F MCU                   |
| 4 | OpenSDA Interface          |
| 5 | USB, Memory, Sensors, Misc |
| 6 | I/O Headers, Power Supply  |

**Revisions & Change Log**

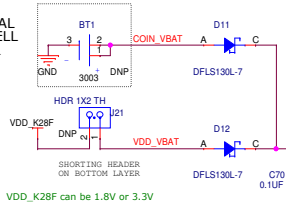
| Rev | Description                | Date       | Approved |
|-----|----------------------------|------------|----------|
| X1  | Initial Draft              | 07-11-2016 |          |
| A   | 1st Release                | 08-18-2016 |          |
| B   | 2nd Release for Production | 11-08-2016 |          |
| C   | 3rd Release for Production | 12-22-2016 |          |
| D   | 4th Release for Production | 06-19-2017 |          |

# FRDM-K28F

|   |                                    |   |          |
|---|------------------------------------|---|----------|
|    |                                    | <b>Microcontroller Product Group</b><br>6501 William Cannon Drive West<br>Austin, TX 78735-8598 |          |
| <small>This document contains information proprietary to NXP and shall not be used for engineering design, procurement or manufacture in whole or in part without the express written permission of NXP Semiconductors.</small> |                                    |   |          |
| ICAP Classification: CP: IUD: X PUB:  |                                    |   |          |
| Designer:   | Drawing Title:<br><b>FRDM-K28F</b> |   |          |
| Drawn by:   | Page Title:<br><b>TITLE PAGE</b>   |   |          |
| Approved:   | Size<br>C                          | Document Number<br>SCH-28346 PDF: SPF-28346   | Rev<br>D |
| Date: Monday, June 19, 2017   |                                    | Sheet 1   | of 6     |

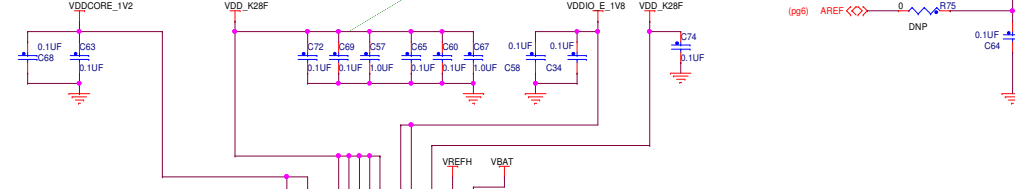


**OPTIONAL COIN CELL HOLDER**



VDD\_K28F can be 1.8V or 3.3V

**CAD NOTE:**  
Please place these capacitors near their respective CPU pin (VDD to VSS)

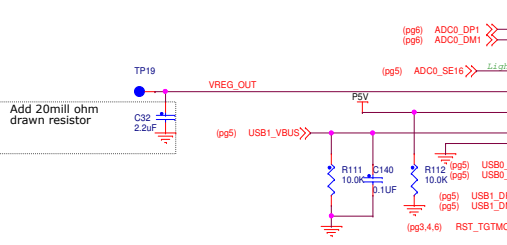


**Pin Functions**

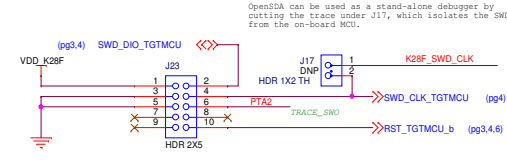
| Pin                    | Function       |
|------------------------|----------------|
| (pg3.4) SWD_DIO_TGTMCU | SWD_DIO_TGTMCU |
| (pg5) PTA7             | PTA7           |
| (pg5) PTA8             | PTA8           |
| (pg5) PTA9             | PTA9           |
| (pg5) PTB6             | PTB6           |
| (pg5) PTB7             | PTB7           |
| (pg5) PTB8             | PTB8           |
| (pg5) PTB9             | PTB9           |
| (pg5) PTB10            | PTB10          |
| (pg5) PTB11            | PTB11          |
| (pg5) PTB12            | PTB12          |
| (pg5) PTB13            | PTB13          |
| (pg5) PTB14            | PTB14          |
| (pg5) PTB16            | PTB16          |
| (pg5) PTB17            | PTB17          |
| (pg5) PTB18            | PTB18          |
| (pg5) PTB19            | PTB19          |
| (pg5) PTB20            | PTB20          |
| (pg5) PTB21            | PTB21          |
| (pg5) PTB22            | PTB22          |
| (pg5) PTB23            | PTB23          |
| (pg5) PTB24            | PTB24          |
| (pg5) PTB25            | PTB25          |
| (pg5) PTB26            | PTB26          |
| (pg5) PTB27            | PTB27          |
| (pg5) PTB28            | PTB28          |
| (pg5) PTB29            | PTB29          |
| (pg5) PTB30            | PTB30          |
| (pg5) PTB31            | PTB31          |
| (pg5) PTB32            | PTB32          |
| (pg5) PTB33            | PTB33          |
| (pg5) PTB34            | PTB34          |
| (pg5) PTB35            | PTB35          |
| (pg5) PTB36            | PTB36          |
| (pg5) PTB37            | PTB37          |
| (pg5) PTB38            | PTB38          |
| (pg5) PTB39            | PTB39          |
| (pg5) PTB40            | PTB40          |
| (pg5) PTB41            | PTB41          |
| (pg5) PTB42            | PTB42          |
| (pg5) PTB43            | PTB43          |
| (pg5) PTB44            | PTB44          |
| (pg5) PTB45            | PTB45          |
| (pg5) PTB46            | PTB46          |
| (pg5) PTB47            | PTB47          |
| (pg5) PTB48            | PTB48          |
| (pg5) PTB49            | PTB49          |
| (pg5) PTB50            | PTB50          |
| (pg5) PTB51            | PTB51          |
| (pg5) PTB52            | PTB52          |
| (pg5) PTB53            | PTB53          |
| (pg5) PTB54            | PTB54          |
| (pg5) PTB55            | PTB55          |
| (pg5) PTB56            | PTB56          |
| (pg5) PTB57            | PTB57          |
| (pg5) PTB58            | PTB58          |
| (pg5) PTB59            | PTB59          |
| (pg5) PTB60            | PTB60          |
| (pg5) PTB61            | PTB61          |
| (pg5) PTB62            | PTB62          |
| (pg5) PTB63            | PTB63          |
| (pg5) PTB64            | PTB64          |
| (pg5) PTB65            | PTB65          |
| (pg5) PTB66            | PTB66          |
| (pg5) PTB67            | PTB67          |
| (pg5) PTB68            | PTB68          |
| (pg5) PTB69            | PTB69          |
| (pg5) PTB70            | PTB70          |
| (pg5) PTB71            | PTB71          |
| (pg5) PTB72            | PTB72          |
| (pg5) PTB73            | PTB73          |
| (pg5) PTB74            | PTB74          |
| (pg5) PTB75            | PTB75          |
| (pg5) PTB76            | PTB76          |
| (pg5) PTB77            | PTB77          |
| (pg5) PTB78            | PTB78          |
| (pg5) PTB79            | PTB79          |
| (pg5) PTB80            | PTB80          |
| (pg5) PTB81            | PTB81          |
| (pg5) PTB82            | PTB82          |
| (pg5) PTB83            | PTB83          |
| (pg5) PTB84            | PTB84          |
| (pg5) PTB85            | PTB85          |
| (pg5) PTB86            | PTB86          |
| (pg5) PTB87            | PTB87          |
| (pg5) PTB88            | PTB88          |
| (pg5) PTB89            | PTB89          |
| (pg5) PTB90            | PTB90          |
| (pg5) PTB91            | PTB91          |
| (pg5) PTB92            | PTB92          |
| (pg5) PTB93            | PTB93          |
| (pg5) PTB94            | PTB94          |
| (pg5) PTB95            | PTB95          |
| (pg5) PTB96            | PTB96          |
| (pg5) PTB97            | PTB97          |
| (pg5) PTB98            | PTB98          |
| (pg5) PTB99            | PTB99          |
| (pg5) PTB100           | PTB100         |

**Pin Functions**

| Pin          | Function |
|--------------|----------|
| (pg5) PTE0   | PTE0     |
| (pg5) PTE1   | PTE1     |
| (pg5) PTE2   | PTE2     |
| (pg5) PTE3   | PTE3     |
| (pg5) PTE4   | PTE4     |
| (pg5) PTE5   | PTE5     |
| (pg5) PTE6   | PTE6     |
| (pg5) PTE7   | PTE7     |
| (pg5) PTE8   | PTE8     |
| (pg5) PTE9   | PTE9     |
| (pg5) PTE10  | PTE10    |
| (pg5) PTE11  | PTE11    |
| (pg5) PTE12  | PTE12    |
| (pg5) PTE13  | PTE13    |
| (pg5) PTE14  | PTE14    |
| (pg5) PTE15  | PTE15    |
| (pg5) PTE16  | PTE16    |
| (pg5) PTE17  | PTE17    |
| (pg5) PTE18  | PTE18    |
| (pg5) PTE19  | PTE19    |
| (pg5) PTE20  | PTE20    |
| (pg5) PTE21  | PTE21    |
| (pg5) PTE22  | PTE22    |
| (pg5) PTE23  | PTE23    |
| (pg5) PTE24  | PTE24    |
| (pg5) PTE25  | PTE25    |
| (pg5) PTE26  | PTE26    |
| (pg5) PTE27  | PTE27    |
| (pg5) PTE28  | PTE28    |
| (pg5) PTE29  | PTE29    |
| (pg5) PTE30  | PTE30    |
| (pg5) PTE31  | PTE31    |
| (pg5) PTE32  | PTE32    |
| (pg5) PTE33  | PTE33    |
| (pg5) PTE34  | PTE34    |
| (pg5) PTE35  | PTE35    |
| (pg5) PTE36  | PTE36    |
| (pg5) PTE37  | PTE37    |
| (pg5) PTE38  | PTE38    |
| (pg5) PTE39  | PTE39    |
| (pg5) PTE40  | PTE40    |
| (pg5) PTE41  | PTE41    |
| (pg5) PTE42  | PTE42    |
| (pg5) PTE43  | PTE43    |
| (pg5) PTE44  | PTE44    |
| (pg5) PTE45  | PTE45    |
| (pg5) PTE46  | PTE46    |
| (pg5) PTE47  | PTE47    |
| (pg5) PTE48  | PTE48    |
| (pg5) PTE49  | PTE49    |
| (pg5) PTE50  | PTE50    |
| (pg5) PTE51  | PTE51    |
| (pg5) PTE52  | PTE52    |
| (pg5) PTE53  | PTE53    |
| (pg5) PTE54  | PTE54    |
| (pg5) PTE55  | PTE55    |
| (pg5) PTE56  | PTE56    |
| (pg5) PTE57  | PTE57    |
| (pg5) PTE58  | PTE58    |
| (pg5) PTE59  | PTE59    |
| (pg5) PTE60  | PTE60    |
| (pg5) PTE61  | PTE61    |
| (pg5) PTE62  | PTE62    |
| (pg5) PTE63  | PTE63    |
| (pg5) PTE64  | PTE64    |
| (pg5) PTE65  | PTE65    |
| (pg5) PTE66  | PTE66    |
| (pg5) PTE67  | PTE67    |
| (pg5) PTE68  | PTE68    |
| (pg5) PTE69  | PTE69    |
| (pg5) PTE70  | PTE70    |
| (pg5) PTE71  | PTE71    |
| (pg5) PTE72  | PTE72    |
| (pg5) PTE73  | PTE73    |
| (pg5) PTE74  | PTE74    |
| (pg5) PTE75  | PTE75    |
| (pg5) PTE76  | PTE76    |
| (pg5) PTE77  | PTE77    |
| (pg5) PTE78  | PTE78    |
| (pg5) PTE79  | PTE79    |
| (pg5) PTE80  | PTE80    |
| (pg5) PTE81  | PTE81    |
| (pg5) PTE82  | PTE82    |
| (pg5) PTE83  | PTE83    |
| (pg5) PTE84  | PTE84    |
| (pg5) PTE85  | PTE85    |
| (pg5) PTE86  | PTE86    |
| (pg5) PTE87  | PTE87    |
| (pg5) PTE88  | PTE88    |
| (pg5) PTE89  | PTE89    |
| (pg5) PTE90  | PTE90    |
| (pg5) PTE91  | PTE91    |
| (pg5) PTE92  | PTE92    |
| (pg5) PTE93  | PTE93    |
| (pg5) PTE94  | PTE94    |
| (pg5) PTE95  | PTE95    |
| (pg5) PTE96  | PTE96    |
| (pg5) PTE97  | PTE97    |
| (pg5) PTE98  | PTE98    |
| (pg5) PTE99  | PTE99    |
| (pg5) PTE100 | PTE100   |



**SWD CONNECTOR**



**KINETIS K28F MCU**

**NXP**

ICAP Classification: GP: IUC: X PUBL:

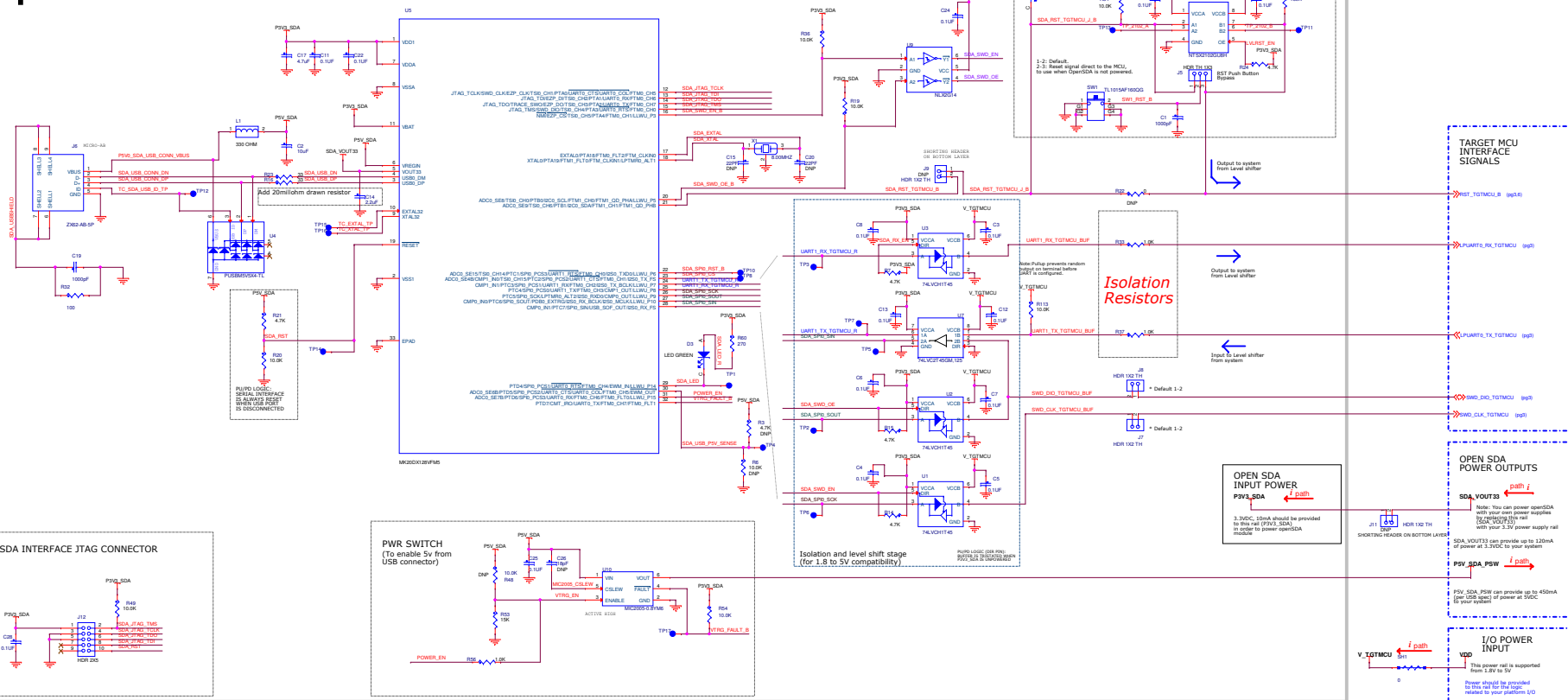
Drawing Title: **FRDM-K28F**

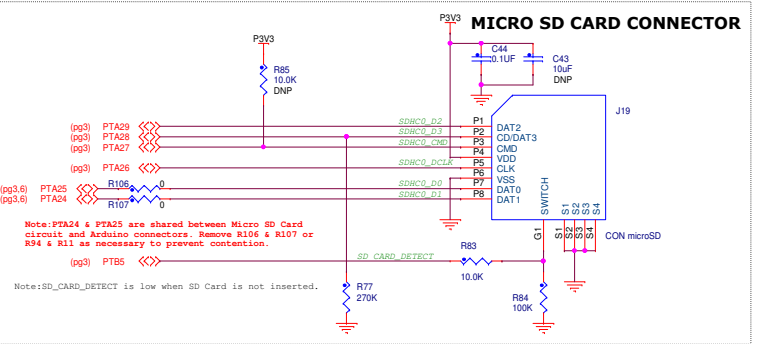
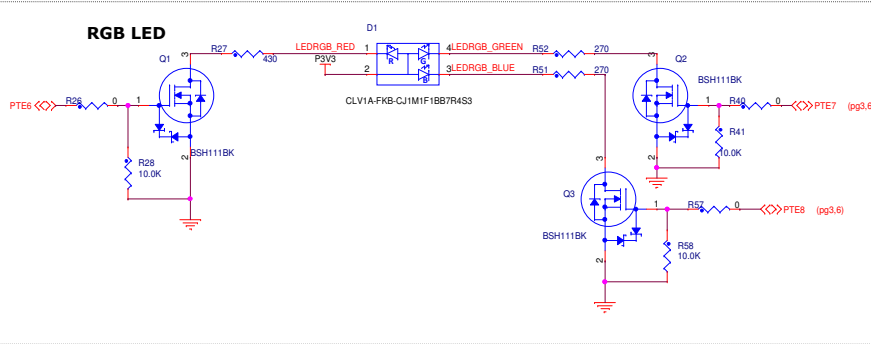
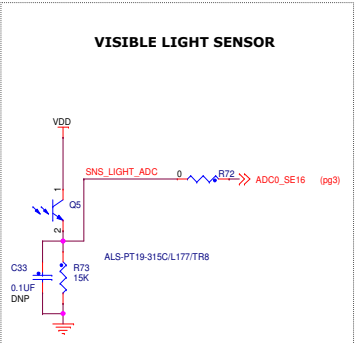
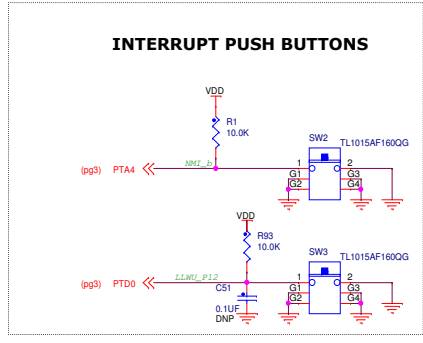
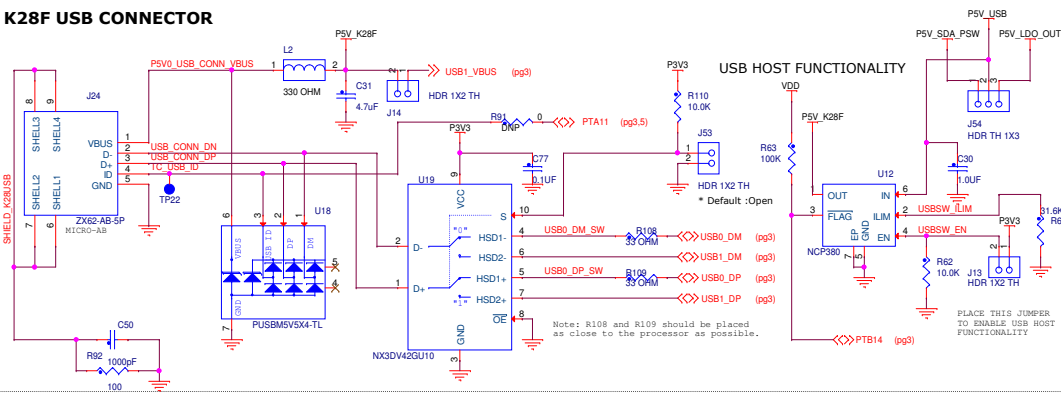
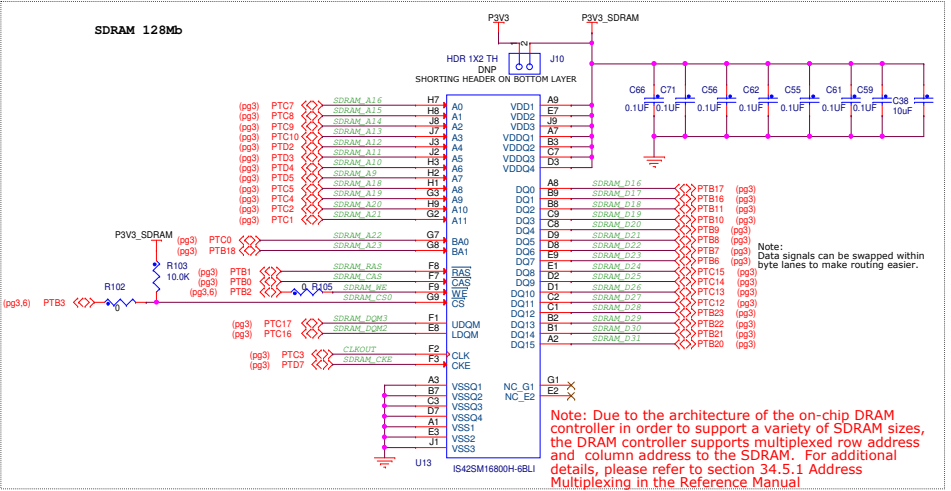
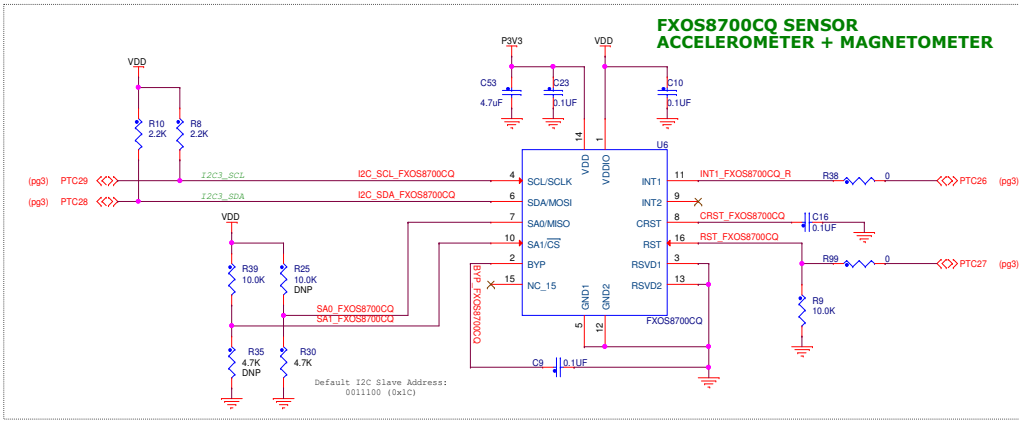
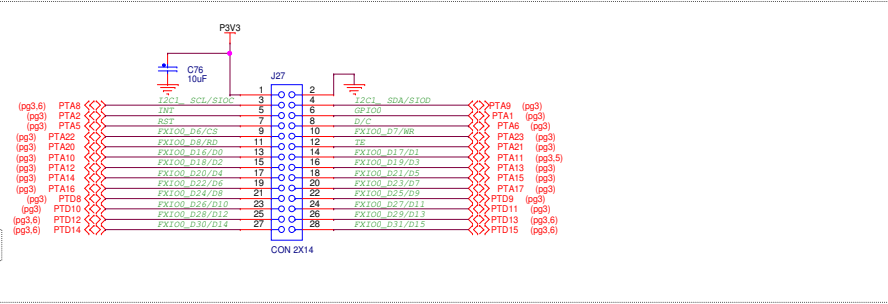
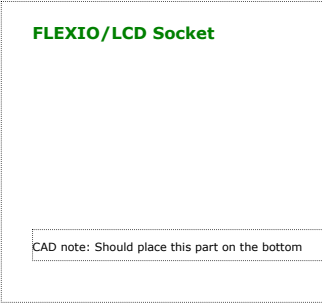
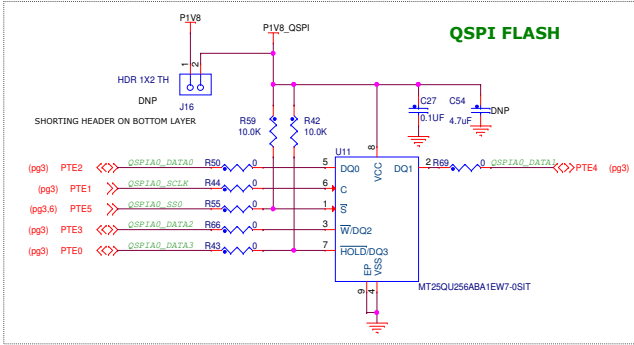
Page Title: **K28F MCU**

Size C Document Number SCH-29346 PDF: SPF-29346

Date: Monday, June 19, 2017 Sheet 3 of 6

# OpenSDA Interface





ICAP Classification: CP: IUC: X PUBL:

Drawing Title: **FRDM-K28F**

Page Title: **USB, Memory, Sensors, Misc**

Size C Document Number SCH-29346 PDF: SPF-29346 Rev D

Date: Monday, June 19, 2017 Sheet 5 of 6

